



quality replacement parts
suitable for

PERKINS

1000 & 1100 Series



- Pistons
- Liners
- Bearings
- Ring sets
- Pumps
- Valves
- Gaskets



Parts you can **TRUST**



Engine / Moteur / Motor

Kits Kits Kits	2.2
Cylinder head Culasse Culata	2.6
Cylinder Cylindre Cilindro	2.14
Crankshaft Vilebrequin Cigüeñal	2.24
Gaskets Joints Juntas	2.38
Timing Distribution Distribución	2.46
Lubrication Lubrification Engrase	2.52
Cooling system Système de refroidissement Sistema de refrigeración	2.54
Fuel system Système de combustible Sistema de combustible	2.58
Starting system Système de démarrage Sistema de arranque	2.62



No of
Cyl

Bore
(mm)



No of
Cyl

Bore
(mm)



Power units

1000 series

1004.40	4	100.000
1004.40	4	100.000
1004.40	4	100.000
1004.40	4	100.000
1004.40	4	100.000
1004.40	4	100.000
1004.40T	4	100.000
1004.40T	4	100.000
1004.40T	4	100.000
1004.40T	4	100.000
1004.40T	4	100.000
1004.40T	4	100.000
1004.40T	4	100.000
1004.40T	4	100.000
1004.40T	4	100.000
1004.40T	4	100.000
1004.42	4	103.000
1004.42	4	103.000
1006.60	6	100.000
1006.60T	6	100.000
1006.60T	6	100.000
1006.60T	6	100.000
1006.60T	6	100.000
1006.60T	6	100.000
1006.60T	6	100.000
1006.60T	6	100.000

AA builds
AJ builds
AK builds
AM builds
AP builds
AQ builds
AB builds
AJ builds
AK builds
AM builds
AP builds
AQ builds
YD builds
YE builds
AR builds
AS builds
YA builds
YB builds
YD builds
YE builds
YG builds
YH builds
YJ builds
YK builds

1100 series

1103A-33	3	105.000
1103A-33T	3	105.000
1103B-33	3	105.000
1103B-33T	3	105.000
1103C-33	3	105.000
1103C-33T	3	105.000
1103C-33T	3	105.000
1103C-33TA	3	105.000
1103D-33	3	105.000
1103D-33T	3	105.000
1103D-33TA	3	105.000
1104A-44	4	105.000
1104A-44T	4	105.000
1104A-44T	4	105.000
1104A-44TA	4	105.000
1104C-E44	4	105.000
1104C-E44T	4	105.000
1104C-E44TA	4	105.000
1104C-44	4	105.000
1104C-44T	4	105.000
1104C-44TA	4	105.000
1104D-44	4	105.000
1104D-44T	4	105.000
1104D-44TA	4	105.000
1106-E60TA	6	100.000

DJ builds
DK builds
DF builds
DG builds
DC builds
DD builds
DG builds
DE builds
XK builds
XL builds
XM builds
RR builds
RJ builds
RS builds
RT builds
RF builds
RH builds
RK builds
RE builds
RG builds
RJ builds
NK builds
NL builds
NM builds
VK builds



Kits
Kits
Kits

VAP VAPORMATIC

- 1 Cylinder kit - finished
- 2 Valve train kit

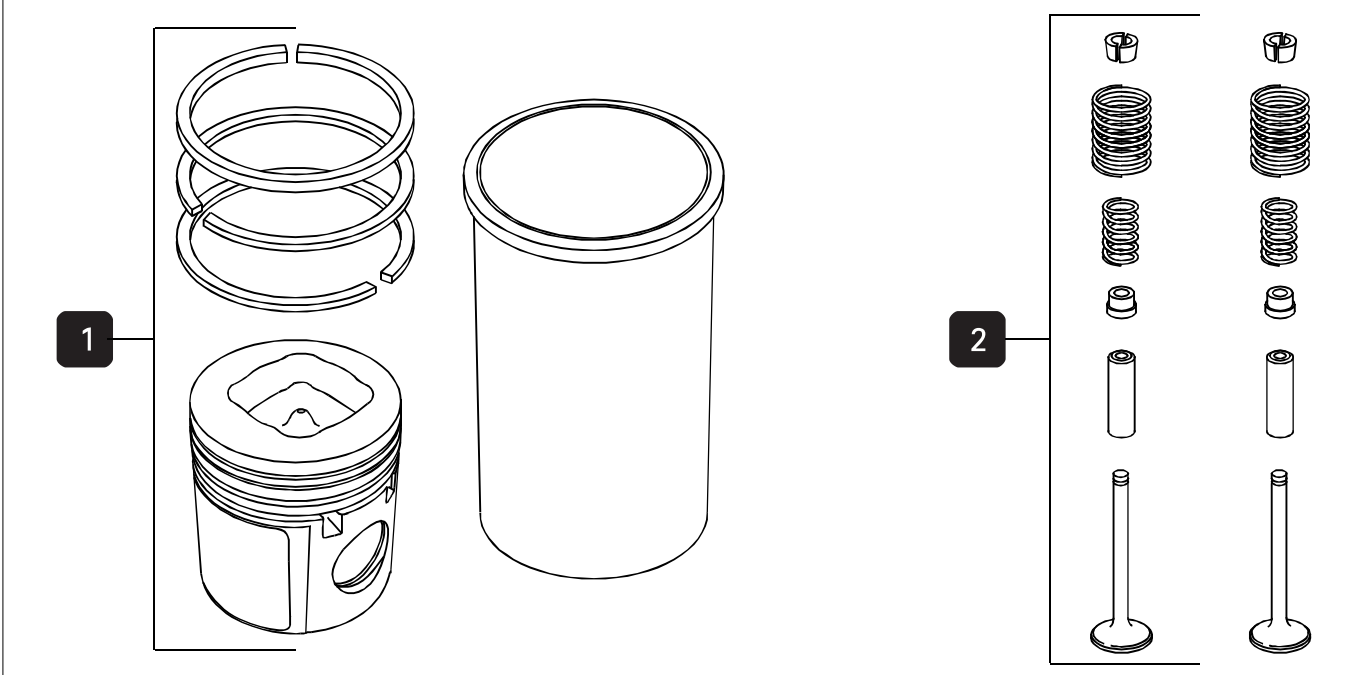
- 1 Kit moteur- fini
- 2 Jeu commande des soupapes

- 1 Equipo cilindro
- 2 Conjunto de válvulas, muelles

See remarks on page 3

Voir commentaires page 3

Consultar comentarios 3



1

2

Standard

1004.40	AA builds	VPB8626 (e) 3135X062, 4181A027 & U5LL0008 VPB8629 (f) 3135X042, 4181A027 & U5LL0008	VPA6000
1004.40	AJ builds	VPB8627 3135X062, 4181A033 & U5LP0057	-
1004.40	AK builds	VPB8627 3135X062, 4181A033 & U5LP0057	-
1004.40	AM builds	VPB8627 3135X062, 4181A033 & U5LP0057	-
1004.40	AP builds	VPB8627 3135X062, 4181A033 & U5LP0057	-
1004.40	AQ builds	VPB8627 3135X062, 4181A033 & U5LP0057	-
1004.40T	AB builds	VPB8625 3135X042, 4181A026 & U5LL0014	VPA6030 (a) VPA6036 (b)
1004.40T	AJ builds	VPB8627 3135X062, 4181A033 & U5LP0057	-
1004.40T	AK builds	VPB8627 3135X062, 4181A033 & U5LP0057	-
1004.40T	AM builds	VPB8627 3135X062, 4181A033 & U5LP0057	-
1004.40T	AP builds	VPB8627 3135X062, 4181A033 & U5LP0057	-
1004.40T	AQ builds	VPB8627 3135X062, 4181A033 & U5LP0057	-
1004.40T	YD builds	-	VPA6036
1004.40T	YE builds	-	VPA6036
1006.60	YA builds	VPB8629 3135X042, 4181A027 & U5LL0008	VPA6037
1006.60T	YB builds	VPB8625 3135X042, 4181A026 & U5LL0014	VPA6038 (d) VPA6039 (c)
1006.60T	YD builds	-	VPA6039
1006.60T	YE builds	-	VPA6039



1



2



Standard

1006.60T	YG builds	VPB8627 3135X062, 4181A033 & U5LP0057	-
1006.60T	YH builds	VPB8627 3135X062, 4181A033 & U5LP0057	-
1006.60T	YJ builds	VPB8627 3135X062, 4181A033 & U5LP0057	-
1006.60T	YK builds	VPB8627 3135X062, 4181A033 & U5LP0057	-
1106-E60TA	VK builds	VPB8628 3135X062, 4181A033 & UPRK0001	-

Serial numbers and date ranges / Nos de série et plages de dates / Números de serie y fecha de fabricación

(a) → U608300W (b) U608301W → (c) 557977X → (d) → 557976X

Remarks

- (e) With fire ring
- (f) Without fire ring

Remarques

- (e) Avec Pare feu
- (f) Sans Pare feu

Comentarios

- (e) Con anillo de fuego
- (f) Sin anillo de fuego

Digital images / Images digitales / Gráficos digitales



- 1 VPB8625**
3135X042, 4181A026 & U5LL0014
U5MK0139, U5MK0275
• Piston VPB2410
• Ring set VPB4470
• Liner VPB1095



- 1 VPB8626**
3135X062, 4181A027 & U5LL0008
• Piston VPB2370
• Ring set VPB4570
• Liner VPB1096



- 1 VPB8627**
3135X062, 4181A033 & U5LP0057
• Piston VPB2809
• Ring set VPB4808
• Liner VPB1096



- 1 VPB8628**
3135X062, 4181A033 & UPRK0001
• Piston VPB2809
• Ring set VPB4045
• Liner VPB1096



- 1 VPB8629**
3135X042, 4181A027 & U5LL0008
• Piston VPB2370
• Ring set VPB4570
• Liner VPB1095



- 2 VPA6000**



- 2 VPA6030**



- 2 VPA6036**



- 2 VPA6037**



- 2 VPA6038**



Kits
Kits
Kits

- 1 Cylinder kit - finished
- 2 Valve train kit

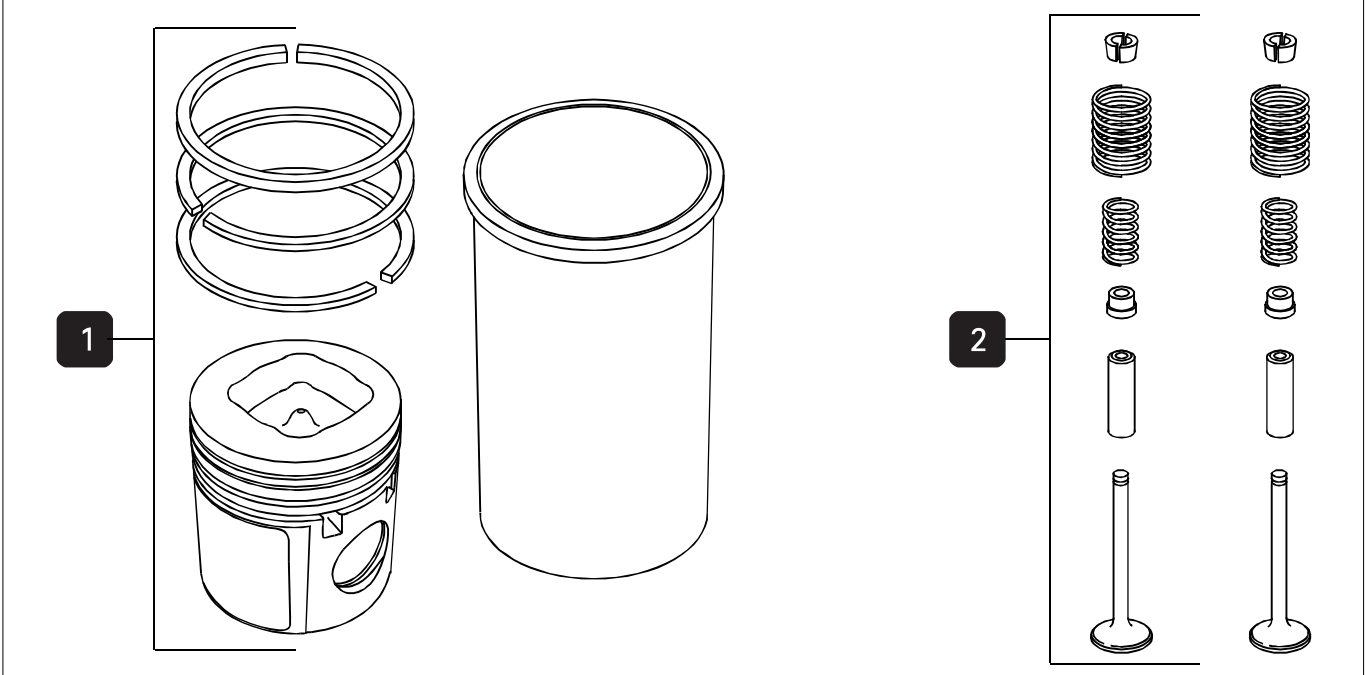
See remarks on page 3

- 1 Kit moteur- fini
- 2 Jeu commande des soupapes

Voir commentaires page 3

- 1 Equipo cilindro
- 2 Conjunto de válvulas, muelles

Consultar comentarios 3



2 VPA6039



Cylinder head
Culasse
Culata

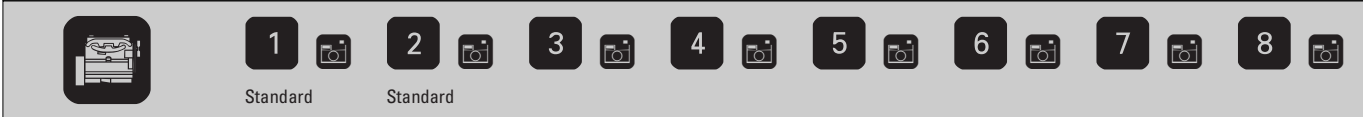
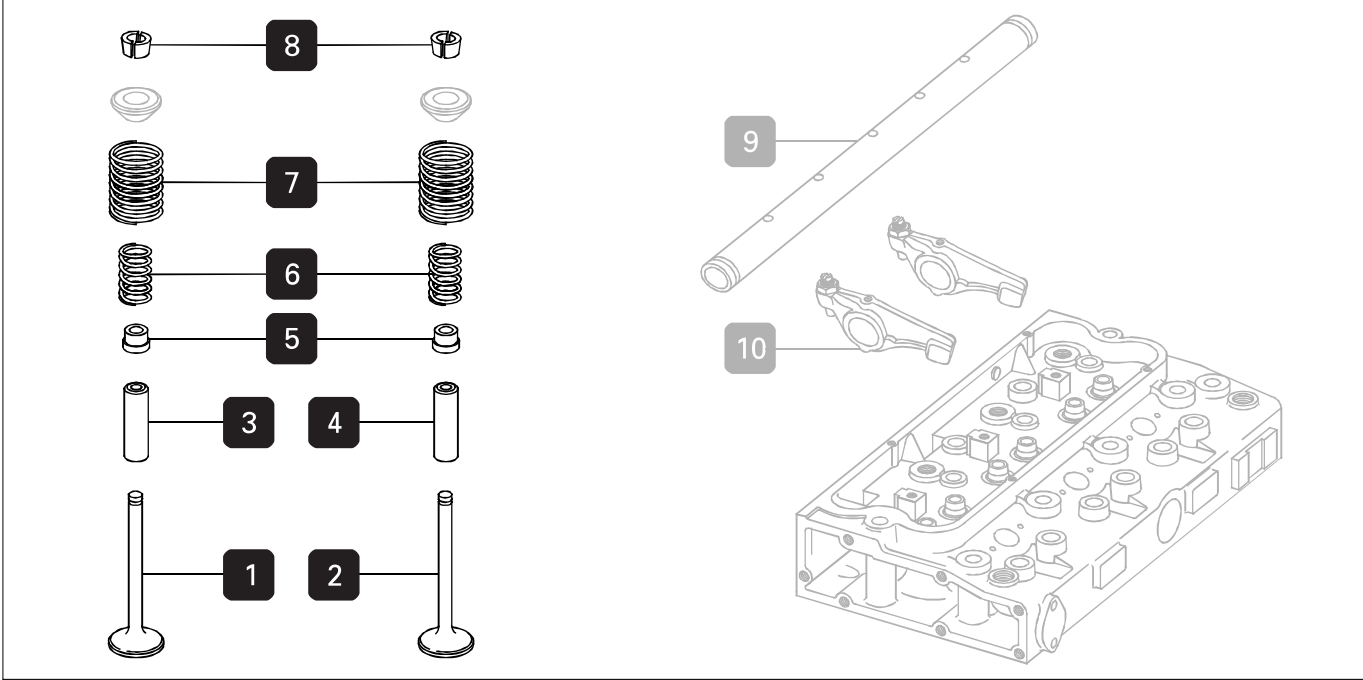


1 Inlet valve	1 Soupape d'admission	1 Válvula admisión
2 Exhaust valve	2 Soupape d'échappement	2 Válvula escape
3 Inlet valve guide	3 Guide soupape d'admission	3 Guía válvula admisión
4 Exhaust valve guide	4 Guide soupape d'échappement	4 Guía válvula escape
5 Valve seal	5 Joint de soupape	5 Retén válvula
6 Inner valve spring	6 Ressort de soupape intérieure	6 Muelle interior válvula
7 Outer valve spring	7 Ressort de soupape extérieure	7 Muelle válvula exterior
8 Valve collet	8 Cône de soupape	8 Chaveta válvula

See remarks on page 9

Voir commentaires page 9

Consultar comentarios 9



1004.40	AA builds	VPA1330 3142L051x4	VPA1160 3142A051x4	VPA2105 3343F041x8	VPA2109 3343J021x8	VPA2200 33817117x10	VPA2014 31744133x8	VPA2006 31745122x8	VPA2301 33173108
1004.40	AJ builds	VPA1016 (f) 3142L081x4 VPA1027 (e) 3142D041x4	VPA1017 (f) 3142D051x4 VPA1026 (e) 3142D031x4	VPA2181 3313A012x4	VPA2182 3318A705x4	VPA2228 2418M505x4, 2418M506x4	-	VPA2049 3174P409x8	VPA2322 3142W004
1004.40	AK builds	VPA1016 (f) 3142L081x4 VPA1027 (e) 3142D041x4	VPA1017 (f) 3142D051x4 VPA1026 (e) 3142D031x4	VPA2181 3313A012x4	VPA2182 3318A705x4	VPA2228 2418M505x4, 2418M506x4	-	VPA2049 3174P409x8	VPA2322 3142W004
1004.40	AM builds	VPA1016 (f) 3142L081x4 VPA1027 (e) 3142D041x4	VPA1017 (f) 3142D051x4 VPA1026 (e) 3142D031x4	VPA2181 3313A012x4	VPA2182 3318A705x4	VPA2228 2418M505x4, 2418M506x4	-	VPA2049 3174P409x8	VPA2322 3142W004
1004.40	AP builds	VPA1016 (f) 3142L081x4 VPA1027 (e) 3142D041x4	VPA1017 (f) 3142D051x4 VPA1026 (e) 3142D031x4	VPA2181 3313A012x4	VPA2182 3318A705x4	VPA2228 2418M505x4, 2418M506x4	-	VPA2049 3174P409x8	VPA2322 3142W004
1004.40	AQ builds	VPA1016 (f) 3142L081x4 VPA1027 (e) 3142D041x4	VPA1017 (f) 3142D051x4 VPA1026 (e) 3142D031x4	VPA2181 3313A012x4	VPA2182 3318A705x4	VPA2228 2418M505x4, 2418M506x4	-	VPA2049 3174P409x8	VPA2322 3142W004
1004.40T	AB builds	VPA1340 (b) 3142L071x4 VPA7030 (a) 3142L072x4	VPA1160 3142A051x4	VPA2105 3343F041x8	VPA2109 3343J021x8	VPA2200 33817117x10	VPA2014 31744133x8	VPA2006 31745122x8	VPA2301 33173108



		1	2	3	4	5	6	7	8
		Standard	Standard						
1004.40T	AJ builds	VPA1016 (f) 3142L081x4 VPA1027 (e) 3142D041x4	VPA1017 (f) 3142D051x4 VPA1026 (e) 3142D031x4	VPA2181 3313A012x4	VPA2182 3318A705x4	VPA2228 2418M505x4, 2418M506x4	-	VPA2049 3174P409x8	VPA2322 3142W004
1004.40T	AK builds	VPA1016 (f) 3142L081x4 VPA1027 (e) 3142D041x4	VPA1017 (f) 3142D051x4 VPA1026 (e) 3142D031x4	VPA2181 3313A012x4	VPA2182 3318A705x4	VPA2228 2418M505x4, 2418M506x4	-	VPA2049 3174P409x8	VPA2322 3142W004
1004.40T	AM builds	VPA1016 (f) 3142L081x4 VPA1027 (e) 3142D041x4	VPA1017 (f) 3142D051x4 VPA1026 (e) 3142D031x4	VPA2181 3313A012x4	VPA2182 3318A705x4	VPA2228 2418M505x4, 2418M506x4	-	VPA2049 3174P409x8	VPA2322 3142W004
1004.40T	AP builds	VPA1016 (f) 3142L081x4 VPA1027 (e) 3142D041x4	VPA1017 (f) 3142D051x4 VPA1026 (e) 3142D031x4	VPA2181 3313A012x4	VPA2182 3318A705x4	VPA2228 2418M505x4, 2418M506x4	-	VPA2049 3174P409x8	VPA2322 3142W004
1004.40T	AQ builds	VPA1016 (f) 3142L081x4 VPA1027 (e) 3142D041x4	VPA1017 (f) 3142D051x4 VPA1026 (e) 3142D031x4	VPA2181 3313A012x4	VPA2182 3318A705x4	VPA2228 2418M505x4, 2418M506x4	-	VPA2049 3174P409x8	VPA2322 3142W004
1004.40T	YD builds	VPA7030 3142L072x4	VPA1160 3142A051x4	VPA2105 3343F041x8	VPA2109 3343J021x8	VPA2200 33817117x10	VPA2014 31744133x8	VPA2006 31745122x8	VPA2301 33173108
1004.40T	YE builds	VPA7030 3142L072x4	VPA1160 3142A051x4	VPA2105 3343F041x8	VPA2109 3343J021x8	VPA2200 33817117x10	VPA2014 31744133x8	VPA2006 31745122x8	VPA2301 33173108
1004.42	AR builds	VPA1054 3142H041x4	VPA1064 3142D061x4	VPA2181 3313A012x4	VPA2182 3318A705x4	VPA2228 2418M505x4, 2418M506x4	-	-	VPA2322 3142W004
1004.42	AS builds	VPA1054 3142H041x4	VPA1064 3142D061x4	VPA2181 3313A012x4	VPA2182 3318A705x4	VPA2228 2418M505x4, 2418M506x4	-	-	VPA2322 3142W004
1006.60	YA builds	VPA1330 3142L051x4	VPA1160 3142A051x4	VPA2105 3343F041x8	VPA2109 3343J021x8	VPA2200 33817117x10	VPA2014 31744133x8	VPA2006 31745122x8	VPA2301 33173108
1006.60T	YB builds	VPA1340 (c) 3142L071x4 VPA7030 (d) 3142L072x4	VPA1160 3142A051x4	VPA2105 3343F041x8	VPA2109 3343J021x8	VPA2200 33817117x10	VPA2014 31744133x8	VPA2006 31745122x8	VPA2301 33173108
1006.60T	YD builds	VPA7030 3142L072x4	VPA1160 3142A051x4	VPA2105 3343F041x8	VPA2109 3343J021x8	VPA2200 33817117x10	VPA2014 31744133x8	VPA2006 31745122x8	VPA2301 33173108
1006.60T	YE builds	VPA7030 3142L072x4	VPA1160 3142A051x4	VPA2105 3343F041x8	VPA2109 3343J021x8	VPA2200 33817117x10	VPA2014 31744133x8	VPA2006 31745122x8	VPA2301 33173108
1006.60T	YG builds	VPA1016 (f) 3142L081x4 VPA1027 (e) 3142D041x4	VPA1017 (f) 3142D051x4 VPA1026 (e) 3142D031x4	VPA2181 3313A012x4	VPA2182 3318A705x4	VPA2227 2418M505x6, 2418M506x6	-	VPA2049 3174P409x8	VPA2322 3142W004
1006.60T	YH builds	VPA1016 (f) 3142L081x4 VPA1027 (e) 3142D041x4	VPA1017 (f) 3142D051x4 VPA1026 (e) 3142D031x4	VPA2181 3313A012x4	VPA2182 3318A705x4	VPA2227 2418M505x6, 2418M506x6	-	VPA2049 3174P409x8	VPA2322 3142W004
1006.60T	YJ builds	VPA1016 (f) 3142L081x4 VPA1027 (e) 3142D041x4	VPA1017 (f) 3142D051x4 VPA1026 (e) 3142D031x4	VPA2181 3313A012x4	VPA2182 3318A705x4	VPA2227 2418M505x6, 2418M506x6	-	VPA2049 3174P409x8	VPA2322 3142W004
1006.60T	YK builds	VPA1016 (f) 3142L081x4 VPA1027 (e) 3142D041x4	VPA1017 (f) 3142D051x4 VPA1026 (e) 3142D031x4	VPA2181 3313A012x4	VPA2182 3318A705x4	VPA2227 2418M505x6, 2418M506x6	-	VPA2049 3174P409x8	VPA2322 3142W004
1103A-33	DJ builds	VPA1034 3142H071x4	VPA1044 3142A151x4	VPA2181 3313A012x4	VPA2181 3313A012x4	-	-	-	VPA2322 3142W004
1103A-33T	DK builds	VPA1034 3142H071x4	VPA1044 3142A151x4	VPA2181 3313A012x4	VPA2181 3313A012x4	-	-	-	VPA2322 3142W004
1103B-33	DF builds	VPA1034 3142H071x4	VPA1044 3142A151x4	VPA2181 3313A012x4	VPA2181 3313A012x4	-	-	-	VPA2322 3142W004
1103B-33T	DG builds	VPA1034 3142H071x4	VPA1044 3142A151x4	VPA2181 3313A012x4	VPA2181 3313A012x4	-	-	-	VPA2322 3142W004
1103C-33	DC builds	VPA1034 3142H071x4	VPA1044 3142A151x4	VPA2181 3313A012x4	VPA2181 3313A012x4	-	-	-	VPA2322 3142W004
1103C-33T	DD builds	VPA1034 3142H071x4	VPA1044 3142A151x4	VPA2181 3313A012x4	VPA2181 3313A012x4	-	-	-	VPA2322 3142W004
1103C-33TA	DE builds	VPA1034 3142H071x4	VPA1044 3142A151x4	VPA2181 3313A012x4	VPA2181 3313A012x4	-	-	-	VPA2322 3142W004

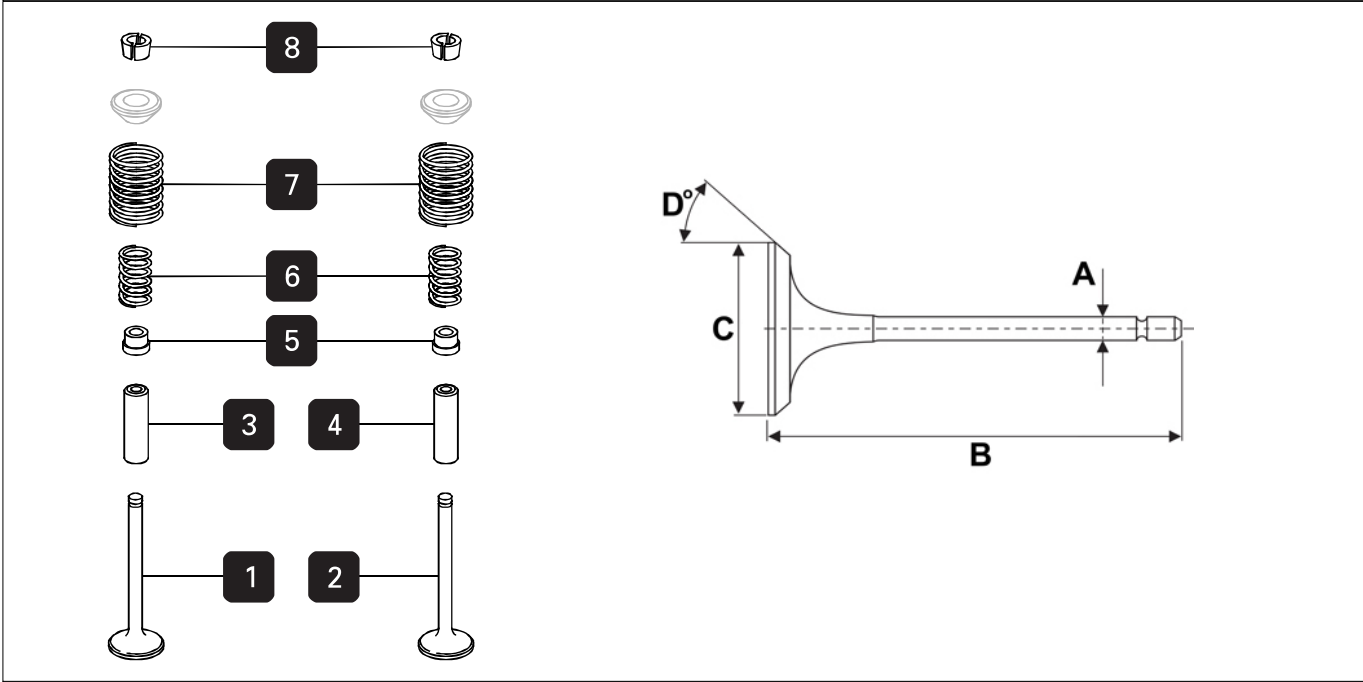


Cylinder head
Culasse
Culata



1 Inlet valve	1 Soupape d'admission	1 Válvula admisión
2 Exhaust valve	2 Soupape d'échappement	2 Válvula escape
3 Inlet valve guide	3 Guide soupape d'admission	3 Guía válvula admisión
4 Exhaust valve guide	4 Guide soupape d'échappement	4 Guía válvula escape
5 Valve seal	5 Joint de soupape	5 Retén válvula
6 Inner valve spring	6 Ressort de soupape intérieure	6 Muelle interior válvula
7 Outer valve spring	7 Ressort de soupape extérieure	7 Muelle válvula exterior
8 Valve collet	8 Cône de soupape	8 Chaveta válvula

See remarks on page 9 Voir commentaires page 9 Consultar comentarios 9



1
2
3
4
5
6
7
8

Standard Standard

1103D-33	XK builds	VPA1034 3142H071x4	VPA1044 3142A151x4	VPA2181 3313A012x4	VPA2181 3313A012x4	-	-	-	VPA2322 3142W004
1103D-33T	XL builds	-	-	VPA2181 3313A012x4	VPA2181 3313A012x4	-	-	-	-
1103D-33TA	XM builds	-	-	VPA2181 3313A012x4	VPA2181 3313A012x4	-	-	-	-
1104A-44	RR builds	VPA1034 3142H071x4	VPA1044 3142A151x4	VPA2181 3313A012x4	VPA2181 3313A012x4	-	-	-	VPA2322 3142W004
1104A-44T	RS builds	VPA1034 3142H071x4	VPA1044 3142A151x4	VPA2181 3313A012x4	VPA2181 3313A012x4	-	-	-	VPA2322 3142W004
1104A-44TA	RT builds	VPA1034 3142H071x4	VPA1044 3142A151x4	VPA2181 3313A012x4	VPA2181 3313A012x4	-	-	-	VPA2322 3142W004
1104C-E44	RF builds	VPA1034 3142H071x4	VPA1044 3142A151x4	VPA2181 3313A012x4	VPA2181 3313A012x4	-	-	-	VPA2322 3142W004
1104C-E44T	RH builds	VPA1034 3142H071x4	VPA1044 3142A151x4	VPA2181 3313A012x4	VPA2181 3313A012x4	-	-	-	VPA2322 3142W004
1104C-E44TA	RK builds	VPA1034 3142H071x4	VPA1044 3142A151x4	VPA2181 3313A012x4	VPA2181 3313A012x4	-	-	-	VPA2322 3142W004
1104C-44	RE builds	VPA1034 3142H071x4	VPA1044 3142A151x4	VPA2181 3313A012x4	VPA2181 3313A012x4	-	-	-	VPA2322 3142W004
1104C-44T	RG builds	VPA1034 3142H071x4	VPA1044 3142A151x4	VPA2181 3313A012x4	VPA2181 3313A012x4	-	-	-	VPA2322 3142W004
1104C-44TA	RJ builds	VPA1034 3142H071x4	VPA1044 3142A151x4	VPA2181 3313A012x4	VPA2181 3313A012x4	-	-	-	VPA2322 3142W004
1104D-44	NK builds	-	-	VPA2181 3313A012x4	VPA2181 3313A012x4	-	-	-	-
1104D-44T	NL builds	-	-	VPA2181 3313A012x4	VPA2181 3313A012x4	-	-	-	-
1104D-44TA	NM builds	-	-	VPA2181 3313A012x4	VPA2181 3313A012x4	-	-	-	-



	1	2	3	4	5	6	7	8
	Standard	Standard						
1106-E60TA VK builds	VPA1016 3142L081x4	VPA1026 3142D031x4	VPA2181 3313A012x4	VPA2182 3318A705x4	VPA2227 2418M505x6, 2418M506x6	-	VPA2049 3174P409x8	-

Serial numbers and date ranges / Nos de série et plages de dates / Números de serie y fecha de fabricación

(a) U608301W → (b) → U608300W (c) → 557976X (d) 557977X →

Remarks

(e) 45 degree
(f) 30 degree

Remarques

(e) 45 degrés
(f) 30 degrés

Comentarios

(e) 45 grados
(f) 30 grados

Digital images / Images digitales / Gráficos digitales



1 VPA1016
3142L081x4
• A 8.95mm
• B 122.85mm
• C 43mm
• D 30 degree



1 VPA1027
3142D041x4
• A 8.97mm
• B 123mm
• C 43mm
• D 45 degree



1 VPA1034
3142H071x4
• A 8.97mm
• B 129.1mm
• C 46.3mm
• D 30 degree



1 VPA1054
3142H041x4
• A 8.97mm
• B 124.10mm
• C 45mm
• D 45 degree



1 VPA1330
3142L051x4
• A 9.48mm
• B 123mm
• C 45mm
• D 45 degree



1 VPA1340
3142L071x4
• A 9.47mm
• B 122.9mm
• C 45mm
• D 45 degree



1 VPA7030
3142L072x4
• A 9.57mm
• B 122.7mm
• C 45mm
• D 45 degree



2 VPA1017
3142D051x4
• A 8.95mm
• B 123.17mm
• C 41mm
• D 30 degree



2 VPA1026
3142D031x4
• A 8.95mm
• B 123mm
• C 41mm
• D 45 degree



2 VPA1044
3142A151x4
• A 8.95mm
• B 129.10mm
• C 41.60mm
• D 30 degree



2 VPA1064
3142D061x4
• A 8.95mm
• B 124.1mm
• C 42mm
• D 45 degree



2 VPA1160
3142A051x4
31431752, 31431961
• A 9.45mm
• B 123.3mm
• C 37.4mm
• D 45 degree

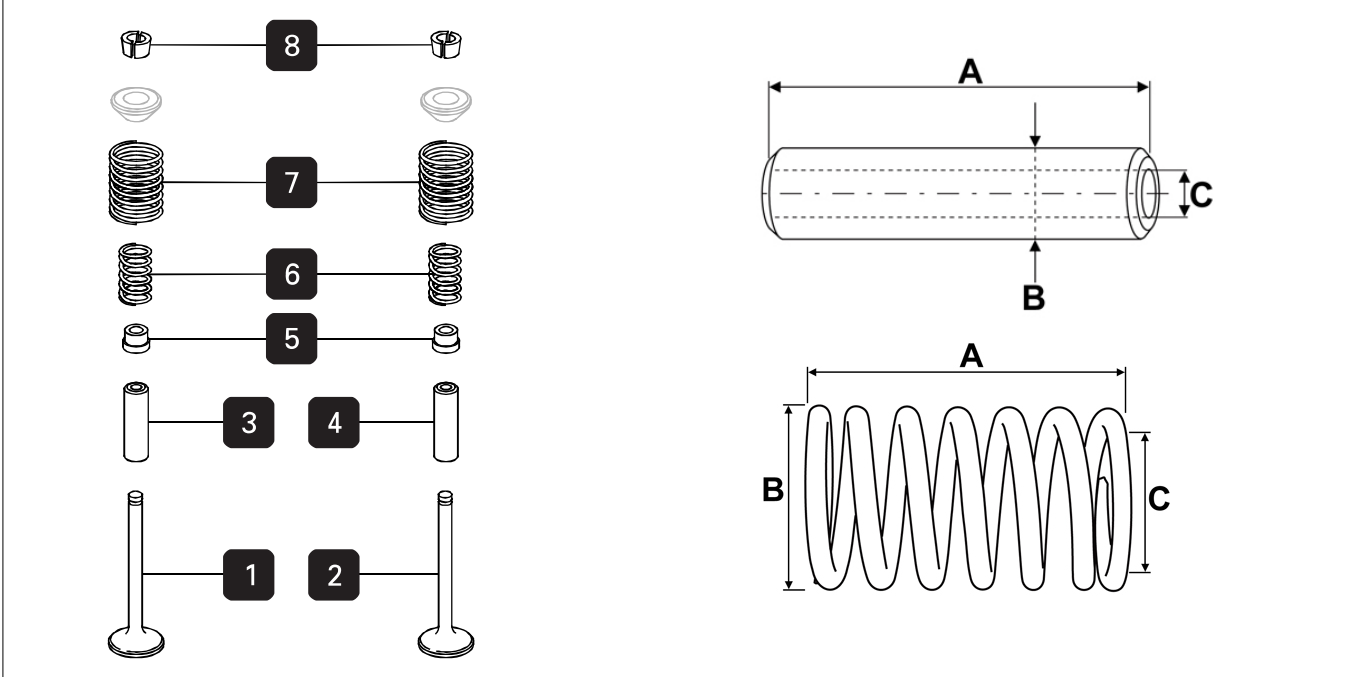


Cylinder head
Culasse
Culata



1 Inlet valve	1 Soupape d'admission	1 Válvula admisión
2 Exhaust valve	2 Soupape d'échappement	2 Válvula escape
3 Inlet valve guide	3 Guide soupape d'admission	3 Guía válvula admisión
4 Exhaust valve guide	4 Guide soupape d'échappement	4 Guía válvula escape
5 Valve seal	5 Joint de soupape	5 Retén válvula
6 Inner valve spring	6 Ressort de soupape intérieure	6 Muelle interior válvula
7 Outer valve spring	7 Ressort de soupape extérieure	7 Muelle válvula exterior
8 Valve collet	8 Cône de soupape	8 Chaveta válvula

See remarks on page 9 Voir commentaires page 9 Consultar comentarios 9



3 VPA2105
3343F041x8
33261731, 33261732, 3343F001, 3343F002,
3343F031
• A 58.3mm
• B 16mm
• C 9.45mm



3 VPA2181
3313A012x4
• A 51.25mm
• B 13mm
• C 8.3mm



4 VPA2109
3343J021x8
33261752, 33261754, 3343J001, 3343J002
• A 61.1mm
• B 16mm
• C 9.9mm



4 VPA2181
3313A012x4
• A 51.25mm
• B 13mm
• C 8.3mm



4 VPA2182
3318A705x4
• A 51.25mm
• B 14mm
• C 9mm



5 VPA2200
33817117x10
33817125



5 VPA2227
2418M505x6, 2418M506x6



5 VPA2228
2418M505x4, 2418M506x4



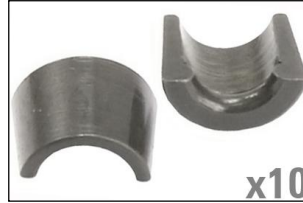
6 VPA2014
31744133x8
• A 42.75mm
• B 28.35mm
• C 22.35mm



7 VPA2006
31745122x8
• A 45.8mm
• B 37.65mm
• C 29.70mm



7 VPA2049
3174P409x8



8 VPA2301
33173108



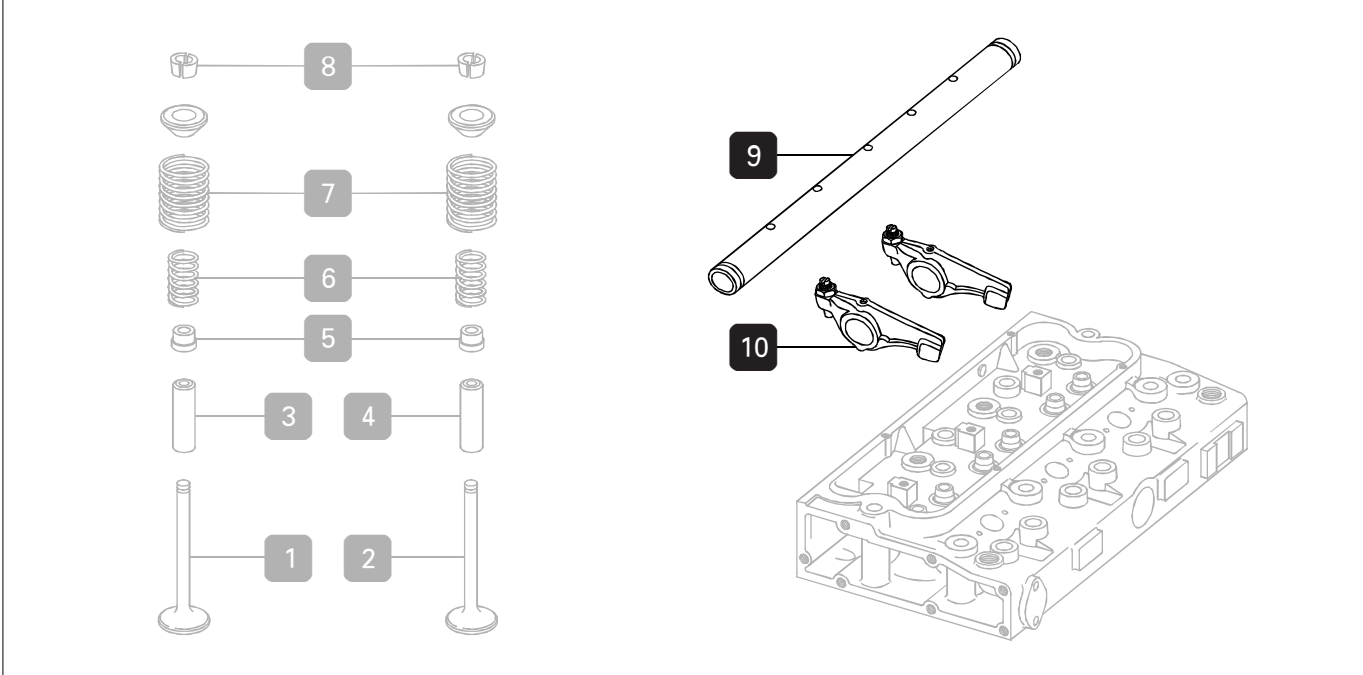
8 VPA2322
3142W004



Cylinder head
Culasse
Culata



<p>9 Rocker shaft 10 Rocker arm</p>	<p>9 Axe culbuteur 10 Culbuteur</p>	<p>9 Eje de balancín 10 Balancín</p>
See remarks on page 12	Voir commentaires page 12	Consultar comentarios 12



 9	10 Inlet	10 Exhaust
--	--	--

1004.40	AA builds	VPA5094 ZZ90032	VPA5093 4115R505	VPA5092 4115R506	
1004.40T	AB builds	VPA5094 ZZ90032	VPA5093 4115R505	VPA5092 4115R506	
1004.40T	YD builds	VPA5094 ZZ90032	VPA5093 4115R505	VPA5092 4115R506	
1004.40T	YE builds	VPA5094 ZZ90032	VPA5093 4115R505	VPA5092 4115R506	
1006.60	YA builds	-	VPA5093 4115R505	VPA5092 4115R506	
1006.60T	YB builds	-	VPA5093 4115R505	VPA5092 4115R506	
1006.60T	YD builds	-	VPA5093 4115R505	VPA5092 4115R506	
1006.60T	YE builds	-	VPA5093 4115R505	VPA5092 4115R506	

Digital images / Images digitales / Gráficos digitales



9 VPA5094
ZZ90032



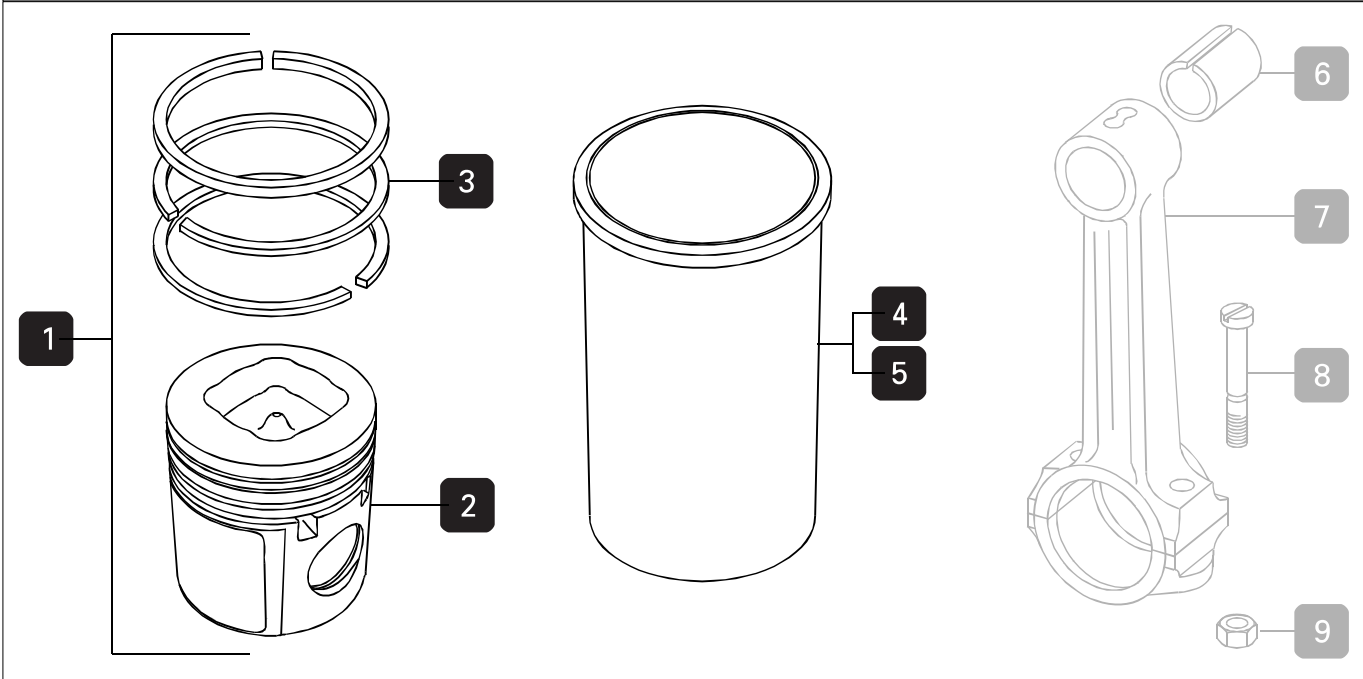
10 VPA5092
4115R506
41151483



10 VPA5093
4115R505
41151484



1 Piston and rings	1 Piston et bagues	1 Pistón y segmentos
2 Piston	2 Piston	2 Pistón
3 Piston ring set	3 Segments de piston	3 Juego segmentos
4 Finished liner	4 Chemise finie	4 Camisa terminada
5 Semi finished liner	5 Chemise semi-finie	5 Camisa semiterminada



	1	1	2	2	3	3	4	5
	Standard	0.50mm	Standard	0.50mm	Standard	0.50mm		

1004.40	AA builds	-	-	VPB2370	-	VPB4570 4181A027	-	VPB1095 (a) 3135X042	VPB1110 (a) 3135X041
								VPB1096 (b) 3135X062	VPB1117 (b) 3135X063
1004.40	AJ builds	-	-	VPB2809 U5LP0057	-	VPB4808 4181A033	-	VPB1096 3135X062	VPB1117 3135X063
1004.40	AK builds	-	-	VPB2809 U5LP0057	-	VPB4808 4181A033	-	VPB1096 3135X062	VPB1117 3135X063
1004.40	AM builds	-	-	VPB2809 U5LP0057	-	VPB4808 4181A033	-	VPB1096 3135X062	VPB1117 3135X063
1004.40	AP builds	-	-	VPB2809 U5LP0057	-	VPB4808 4181A033	-	VPB1096 3135X062	VPB1117 3135X063
1004.40	AQ builds	-	-	VPB2809 U5LP0057	-	VPB4808 4181A033	-	VPB1096 3135X062	VPB1117 3135X063
1004.40T	AB builds	-	-	VPB2410 (c)	-	VPB4470 (c) 4181A026	-	VPB1095 3135X042	VPB1110 3135X041
						VPB4580 (d) 4181A021			
1004.40T	AJ builds	-	-	VPB2809 U5LP0057	-	VPB4808 4181A033	-	VPB1096 3135X062	VPB1117 3135X063
1004.40T	AK builds	-	-	VPB2809 U5LP0057	-	VPB4808 4181A033	-	VPB1096 3135X062	VPB1117 3135X063
1004.40T	AM builds	-	-	VPB2809 U5LP0057	-	VPB4808 4181A033	-	VPB1096 3135X062	VPB1117 3135X063
1004.40T	AP builds	-	-	VPB2809 U5LP0057	-	VPB4808 4181A033	-	VPB1096 3135X062	VPB1117 3135X063
1004.40T	AQ builds	-	-	VPB2809 U5LP0057	-	VPB4808 4181A033	-	VPB1096 3135X062	VPB1117 3135X063
1004.40T	YD builds	-	-	-	-	VPB4470 4181A026	-	VPB1096 3135X062	VPB1117 3135X063
1004.40T	YE builds	-	-	-	-	VPB4470 4181A026	-	VPB1096 3135X062	VPB1117 3135X063



	1	1	2	2	3	3	4	5
	Standard	0.50mm	Standard	0.50mm	Standard	0.50mm		

1004.42	AR builds	-	-	VPB2015 U5LP0058	VPB2016 U5LP0058B	VPB4012 U4181A045	VPB4014 U4181A046	-	-
1004.42	AS builds	-	-	VPB2015 U5LP0058	VPB2016 U5LP0058B	VPB4012 U4181A045	VPB4014 U4181A046	-	-
1006.60	YA builds	-	-	VPB2370	-	VPB4570 4181A027	-	VPB1095 3135X042	VPB1110 3135X041
1006.60T	YB builds	-	-	VPB2410 (c)	-	VPB4470 (c) 4181A026 VPB4580 (d) 4181A021	-	VPB1095 3135X042	VPB1110 3135X041
1006.60T	YD builds	-	-	-	-	VPB4470 4181A026	-	VPB1096 3135X062	VPB1117 3135X063
1006.60T	YE builds	-	-	-	-	VPB4470 4181A026	-	VPB1096 3135X062	VPB1117 3135X063
1006.60T	YG builds	-	-	VPB2809 U5LP0057	-	VPB4808 4181A033	-	VPB1096 3135X062	VPB1117 3135X063
1006.60T	YH builds	-	-	VPB2809 U5LP0057	-	VPB4808 4181A033	-	VPB1096 3135X062	VPB1117 3135X063
1006.60T	YJ builds	-	-	VPB2809 U5LP0057	-	VPB4808 4181A033	-	VPB1096 3135X062	VPB1117 3135X063
1006.60T	YK builds	-	-	VPB2809 U5LP0057	-	VPB4808 4181A033	-	VPB1096 3135X062	VPB1117 3135X063
1103A-33	DJ builds	VPB3830 4115P011	VPB3831 4115P012	-	-	VPB4035 UPRK0003	VPB4036 UPRK0003B	-	-
1103A-33T	DK builds	VPB3840 4115P015	VPB3841 4115P016	-	-	VPB4025 UPRK0002	VPB4026 UPRK0002B	-	-
1103B-33	DF builds	VPB3830 4115P011	VPB3831 4115P012	-	-	VPB4035 UPRK0003	VPB4036 UPRK0003B	-	-
1103B-33T	DG builds	VPB3840 4115P015	VPB3841 4115P016	-	-	VPB4025 UPRK0002	VPB4026 UPRK0002B	-	-
1103C-33	DC builds	VPB3830 4115P011	VPB3831 4115P012	-	-	VPB4035 UPRK0003	VPB4036 UPRK0003B	-	-
1103C-33T	DD builds	VPB3840 4115P015	VPB3841 4115P016	-	-	VPB4025 UPRK0002	VPB4026 UPRK0002B	-	-
1103C-33TA	DE builds	VPB3840 4115P015	VPB3841 4115P016	-	-	VPB4025 UPRK0002	VPB4026 UPRK0002B	-	-
1103D-33	XK builds	VPB3830 4115P011	VPB3831 4115P012	-	-	VPB4035 UPRK0003	VPB4036 UPRK0003B	-	-
1104A-44	RR builds	VPB3830 4115P011	VPB3831 4115P012	-	-	VPB4035 UPRK0003	VPB4036 UPRK0003B	-	-
1104A-44T	RS builds	VPB3840 4115P015	VPB3841 4115P016	-	-	VPB4025 UPRK0002	VPB4026 UPRK0002B	-	-
1104A-44TA	RT builds	VPB3840 4115P015	VPB3841 4115P016	-	-	VPB4025 UPRK0002	VPB4026 UPRK0002B	-	-
1104C-E44	RF builds	VPB3830 4115P011	VPB3831 4115P012	-	-	VPB4035 UPRK0003	VPB4036 UPRK0003B	-	-
1104C-E44T	RH builds	VPB3840 4115P015	VPB3841 4115P016	-	-	VPB4025 UPRK0002	VPB4026 UPRK0002B	-	-
1104C-E44TA	RK builds	VPB3840 4115P015	VPB3841 4115P016	-	-	VPB4025 UPRK0002	VPB4026 UPRK0002B	-	-
1104C-44	RE builds	VPB3830 4115P011	VPB3831 4115P012	-	-	VPB4035 UPRK0003	VPB4036 UPRK0003B	-	-
1104C-44T	RG builds	VPB3840 4115P015	VPB3841 4115P016	-	-	VPB4025 UPRK0002	VPB4026 UPRK0002B	-	-
1104D-44	NK builds	-	-	-	-	VPB4035 UPRK0003	VPB4036 UPRK0003B	-	-
1106-E60TA	VK builds	-	-	VPB2809 U5LP0057	-	VPB4045 UPRK0001	-	VPB1096 3135X062	-

Remarks

- (a) Without fire ring
 (b) With fire ring
 (c) Wide top ring (3.4mm)
 (d) Narrow top ring (2.95mm)

Remarques

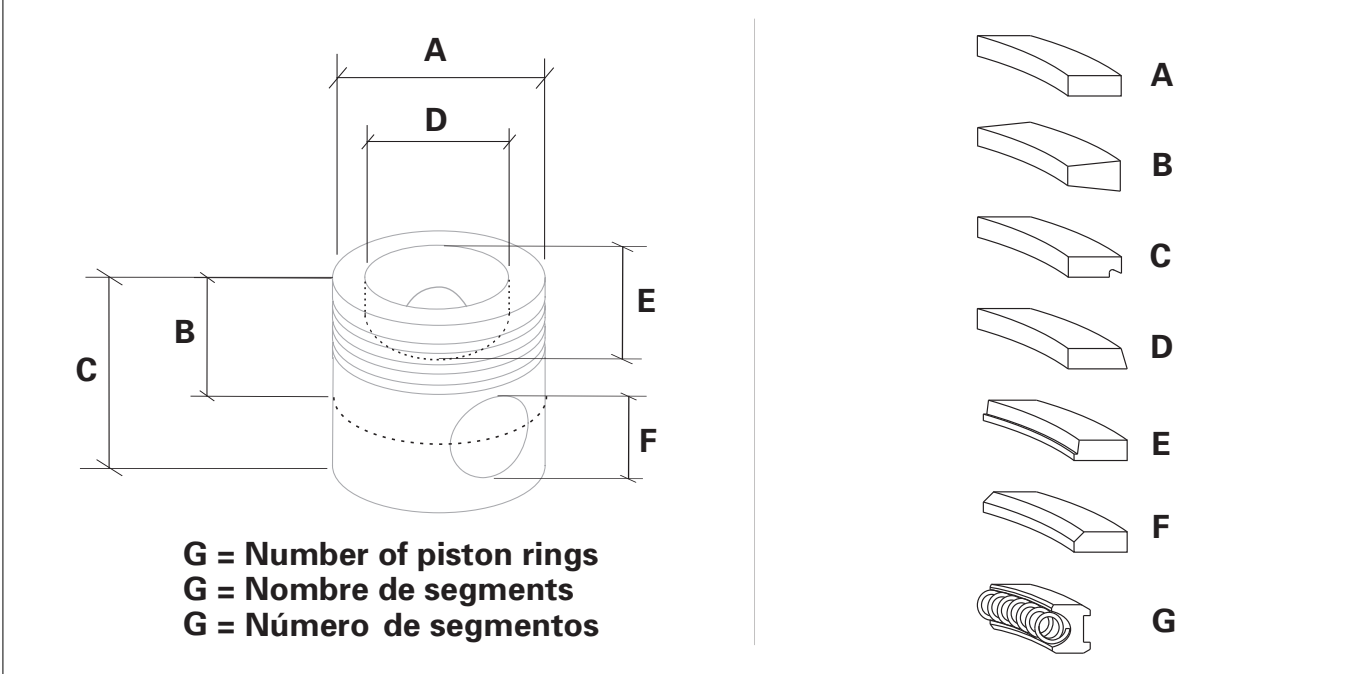
- (a) Sans Pare feu
 (b) Avec Pare feu
 (c) Segment supérieur au plus large (3.4 mm)
 (d) Segment supérieur au plus étroit (2.95 mm)

Comentarios

- (a) Sin anillo de fuego
 (b) Con anillo de fuego
 (c) Anillo superior ancho (3.4mm)
 (d) Anillo superior estrecho (2.95mm)



1 Piston and rings	1 Piston et bagues	1 Pistón y segmentos
2 Piston	2 Piston	2 Pistón
3 Piston ring set	3 Segments de piston	3 Juego segmentos
4 Finished liner	4 Chemise finie	4 Camisa terminada
5 Semi finished liner	5 Chemise semi-finie	5 Camisa semiterminada



Digital images / Images digitales / Gráficos digitales



- 1 VPB3830**
4115P011
- A 104.325 mm
 - B 70.10 mm
 - C 108 mm
 - D 51.35 mm
 - E 22.35 mm
 - F 39.7 mm
 - G 3



- 1 VPB3831**
4115P012
- A 104.825 mm
 - B 70.10 mm
 - C 108 mm
 - D 51.35 mm
 - E 22.35 mm
 - F 39.7 mm
 - G 3



- 1 VPB3840**
4115P015
- A 104.150 mm
 - B 70.10 mm
 - C 108 mm
 - D 55.2 mm
 - E 21.95 mm
 - F 39.7 mm
 - G 3



- 1 VPB3841**
4115P016
- A 104.650 mm
 - B 70.10 mm
 - C 108 mm
 - D 55.2 mm
 - E 21.95 mm
 - F 39.7 mm
 - G 3



- 2 VPB2015**
U5LP0058
- A 102.2 mm
 - B 70.23 mm
 - C 108.27 mm
 - D 52.3 mm
 - E 22.05 mm
 - F 39.7 mm
 - G 3



- 2 VPB2016**
U5LP0058B
- A 102.7 mm
 - B 70.23 mm
 - C 108.27 mm
 - D 52.3 mm
 - E 22.05 mm
 - F 39.7 mm
 - G 3



- 2 VPB2370**
U5LL0008, U5LL0015, U5LL0017, U5LL0021
- A 99.260 mm
 - B 69.980 mm
 - C 108.020 mm
 - D 55.450 mm
 - E 20.080 mm
 - F 34.920 mm
 - G 3



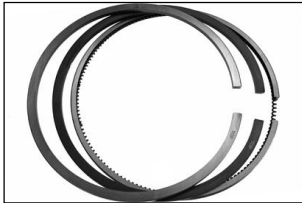
- 2 VPB2410**
U5LL0012, U5LL0013, U5LL0014
- A 97.960 mm
 - B 70.000 mm
 - C 108.060 mm
 - D 76.370 mm
 - E 19.430 mm
 - F 38.100 mm
 - G 3



- 2 VPB2809**
U5LP0057
- A 98.32 mm
 - B 70.266 mm
 - C 108.23 mm
 - D 52.80 mm
 - E 21.75 mm
 - F 39.69 mm
 - G 3



- 3 VPB4012**
U4181A045
- Top ring width 2.5mm
 - Top ring type A
 - Second ring width 2.5mm
 - Second ring type C
 - Third ring width 3.5mm
 - Third ring type G



- 3 VPB4014**
U4181A046
- Top ring width 2.5mm
 - Top ring type A
 - Second ring width 2.5mm
 - Second ring type C
 - Third ring width 3.5mm
 - Third ring type G



- 3 VPB4025**
UPRK0002
- Top ring width 3.5mm
 - Top ring type B
 - Second ring width 2.5mm
 - Second ring type D
 - Third ring width 3.5mm
 - Third ring type G



- 3 VPB4026**
UPRK0002B
- Top ring width 3.5mm
 - Top ring type B
 - Second ring width 2.5mm
 - Second ring type D
 - Third ring width 3.5mm
 - Third ring type G



- 3 VPB4035**
UPRK0003
- Top ring width 2.5mm
 - Top ring type A
 - Second ring width 2.5mm
 - Second ring type D
 - Third ring width 3.5mm
 - Third ring type G



- 3 VPB4036**
UPRK0003B
- Top ring width 2.5mm
 - Top ring type A
 - Second ring width 2.5mm
 - Second ring type D
 - Third ring width 3.5mm
 - Third ring type G



- 3 VPB4045**
UPRK0001
- Top ring width 3.5mm
 - Top ring type B
 - Second ring width 2.5mm
 - Second ring type C
 - Third ring width 3.5mm
 - Third ring type G



- 3 VPB4470**
4181A026
4181A023, 4181A025
- Top ring width 3.4mm
 - Top ring type E
 - Second ring width 2.5mm
 - Second ring type C
 - Third ring width 4mm
 - Third ring type G



- 3 VPB4570**
4181A027
4181A019
- Top ring width 2.5mm
 - Top ring type A
 - Second ring width 2.5mm
 - Second ring type C
 - Third ring width 4mm
 - Third ring type G



- 3 VPB4580**
4181A021
- Top ring width 3mm
 - Top ring type B
 - Second ring width 2.5mm
 - Second ring type F
 - Third ring width 4mm
 - Third ring type G

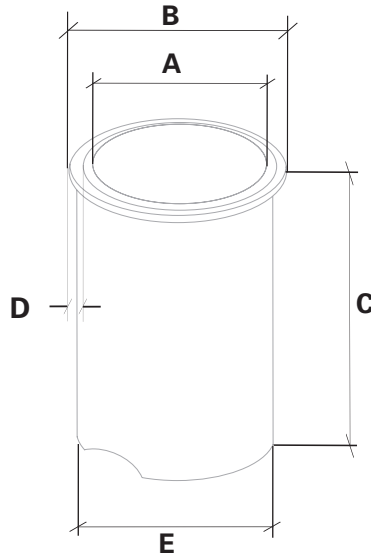


- 3 VPB4808**
4181A033
- Top ring width 3.5mm
 - Top ring type B
 - Second ring width 2.5mm
 - Second ring type C
 - Third ring width 3.5mm
 - Third ring type G

English	Français	Español
Top ring width	Top largeur des cernes	Top anchura del anillo
Top ring type	Top type de sonnerie	Top tipo de timbre
Second ring width	Deuxième largeur de l'anneau	Segundo anchura del anillo
Second ring type	Deuxième type de sonnerie	Segundo tipo de anillo
Third ring width	Troisième largeur des cernes	Ancho del Tercer Anillo
Third ring type	Troisième type de sonnerie	Tipo Tercer anillo



<ol style="list-style-type: none"> 1 Piston and rings 2 Piston 3 Piston ring set 4 Finished liner 5 Semi finished liner 	<ol style="list-style-type: none"> 1 Piston et bagues 2 Piston 3 Segments de piston 4 Chemise finie 5 Chemise semi-finie 	<ol style="list-style-type: none"> 1 Pistón y segmentos 2 Pistón 3 Juego segmentos 4 Camisa terminada 5 Camisa semiterminada
See remarks on page 15	Voir commentaires page 15	Consultar comentarios 15



- 4 VPB1095**
3135X042
- A 100.059 mm
 - B 107.390 mm
 - C 226.700 mm
 - D 3.830 mm
 - E 104.260 mm
 - Dry liner, without fire ring



- 4 VPB1096**
3135X062
- A 100.00 mm
 - B 107.330 mm
 - C 227.400 mm
 - D 3.800 mm
 - E 104.250 mm
 - Dry liner, with fire ring



- 5 VPB1110**
3135X041
- A 99.059 mm
 - B 107.390 mm
 - C 226.700 mm
 - D 3.830 mm
 - E 104.260 mm
 - Dry liner, without fire ring



- 5 VPB1117**
3135X063
- A 99.3 mm
 - B 107.42 mm
 - C 227.50 mm
 - D 3.85 mm
 - E 104.26 mm
 - Dry liner, with fire ring

English	Français	Español
Dry liner, without fire ring	Chemise sèche, Sans Pare feu	Camisa seca, Sin anillo de fuego
Dry liner, with fire ring	Chemise sèche, Avec Pare feu	Camisa seca, Con anillo de fuego



**Cylinder
Cylindre
Cilindro**



- 6 Small end bush
- 7 Connecting rod
- 8 Connecting rod bolt
- 9 Connecting rod nut

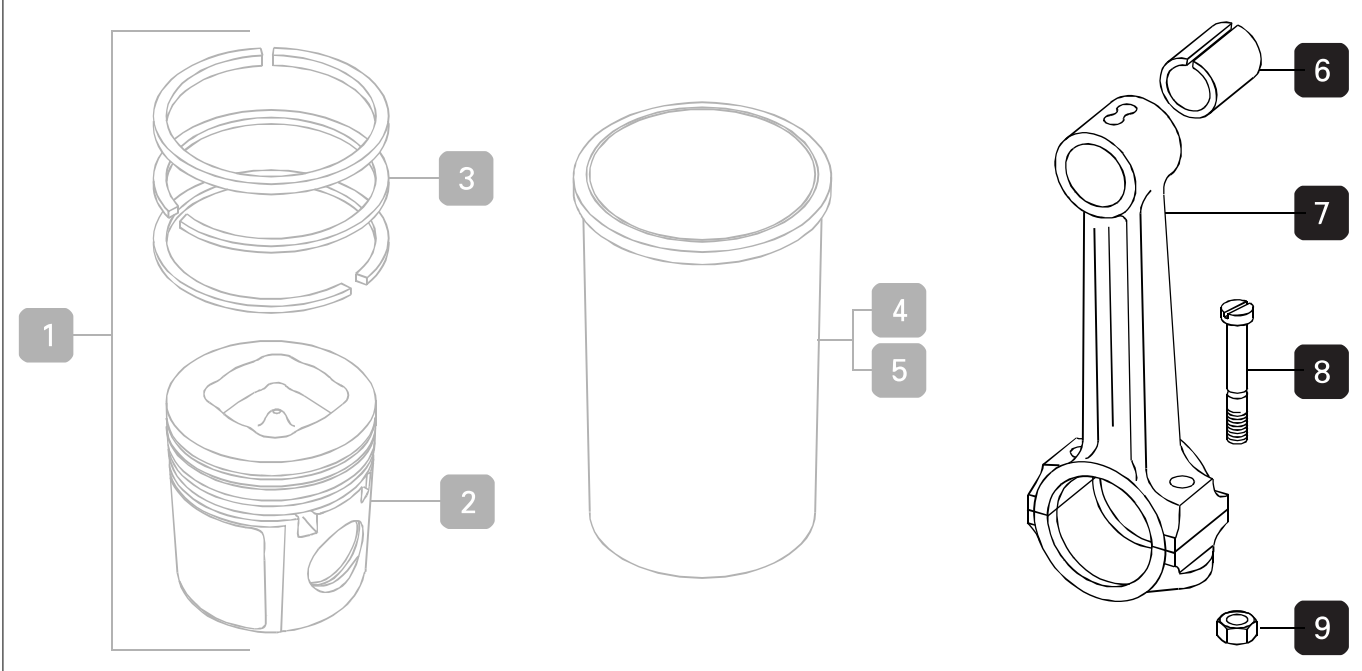
- 6 Bague pied de bielle
- 7 Bielle
- 8 Boulon de bielle
- 9 Écrou de bielle

- 6 Casquillo pie biela
- 7 Bulón biela
- 8 Tornillo biela
- 9 Tuerca biela

See remarks on page 21

Voir commentaires page 21

Consultar comentarios 21



6



7



8



9



		VPB7001 31134123x10	VPB6002 ZZ90009	VPB6102 32762145x10	VPB6202 33221328x10
1004.40	AA builds	VPB7001 31134123x10	VPB6002 ZZ90009	VPB6102 32762145x10	VPB6202 33221328x10
1004.40	AJ builds	VPB7044 3112E041	-	VPB6102 32762145x10	VPB6202 33221328x10
1004.40	AK builds	VPB7044 3112E041	-	VPB6102 32762145x10	VPB6202 33221328x10
1004.40	AM builds	VPB7044 3112E041	-	VPB6102 32762145x10	VPB6202 33221328x10
1004.40	AP builds	VPB7044 3112E041	-	VPB6102 32762145x10	VPB6202 33221328x10
1004.40	AQ builds	VPB7044 3112E041	-	VPB6102 32762145x10	VPB6202 33221328x10
1004.40T	AB builds	VPB7008 31134131x6	-	VPB6102 32762145x10	VPB6202 33221328x10
1004.40T	AJ builds	VPB7044 3112E041	-	VPB6102 32762145x10	VPB6202 33221328x10
1004.40T	AK builds	VPB7044 3112E041	-	VPB6102 32762145x10	VPB6202 33221328x10
1004.40T	AM builds	VPB7044 3112E041	-	VPB6102 32762145x10	VPB6202 33221328x10
1004.40T	AP builds	VPB7044 3112E041	-	VPB6102 32762145x10	VPB6202 33221328x10
1004.40T	AQ builds	VPB7044 3112E041	-	VPB6102 32762145x10	VPB6202 33221328x10
1004.40T	YD builds	VPB7051 3112E005	-	-	-
1004.40T	YE builds	VPB7051 3112E005	-	-	-
1004.42	AR builds	VPB7044 3112E041	-	VPB6102 32762145x10	VPB6202 33221328x10
1004.42	AS builds	VPB7044 3112E041	-	VPB6102 32762145x10	VPB6202 33221328x10



6



7



8



9



1006.60	YA builds	VPB7001 31134123x10	VPB6002 ZZ90009	VPB6102 32762145x10	VPB6202 33221328x10
1006.60T	YB builds	VPB7008 31134131x6	-	VPB6102 32762145x10	VPB6202 33221328x10
1006.60T	YD builds	VPB7051 3112E005	-	-	-
1006.60T	YE builds	VPB7051 3112E005	-	-	-
1006.60T	YG builds	VPB7044 3112E041	-	VPB6102 32762145x10	VPB6202 33221328x10
1006.60T	YH builds	VPB7044 3112E041	-	VPB6102 32762145x10	VPB6202 33221328x10
1006.60T	YJ builds	VPB7044 3112E041	-	VPB6102 32762145x10	VPB6202 33221328x10
1006.60T	YK builds	VPB7044 3112E041	-	VPB6102 32762145x10	VPB6202 33221328x10
1103A-33	DJ builds	VPB7052 3112A005	-	-	-
1103A-33T	DK builds	VPB7052 3112A005	-	-	-
1103B-33	DF builds	VPB7052 3112A005	-	-	-
1103B-33T	DG builds	VPB7052 3112A005	-	-	-
1103C-33	DC builds	VPB7052 3112A005	-	-	-
1103C-33T	DD builds	VPB7052 3112A005	-	-	-
1103C-33TA	DE builds	VPB7052 3112A005	-	-	-
1103D-33	XK builds	VPB7052 3112A005	-	-	-
1103D-33T	XL builds	VPB7052 3112A005	-	-	-
1103D-33TA	XM builds	VPB7052 3112A005	-	-	-
1104A-44	RR builds	VPB7052 3112A005	-	-	-
1104A-44T	RS builds	VPB7052 3112A005	-	-	-
1104A-44TA	RT builds	VPB7052 3112A005	-	-	-
1104C-E44	RF builds	VPB7052 3112A005	-	-	-
1104C-E44T	RH builds	VPB7052 3112A005	-	-	-
1104C-E44TA	RK builds	VPB7052 3112A005	-	-	-
1104C-44	RE builds	VPB7052 3112A005	-	-	-
1104C-44T	RG builds	VPB7052 3112A005	-	-	-
1104C-44TA	RJ builds	VPB7052 3112A005	-	-	-
1104D-44	NK builds	VPB7052 3112A005	-	-	-
1104D-44T	NL builds	VPB7052 3112A005	-	-	-
1104D-44TA	NM builds	VPB7052 3112A005	-	-	-
1106-E60TA	VK builds	VPB7052 3112A005	-	-	-



- 6 Small end bush
- 7 Connecting rod
- 8 Connecting rod bolt
- 9 Connecting rod nut

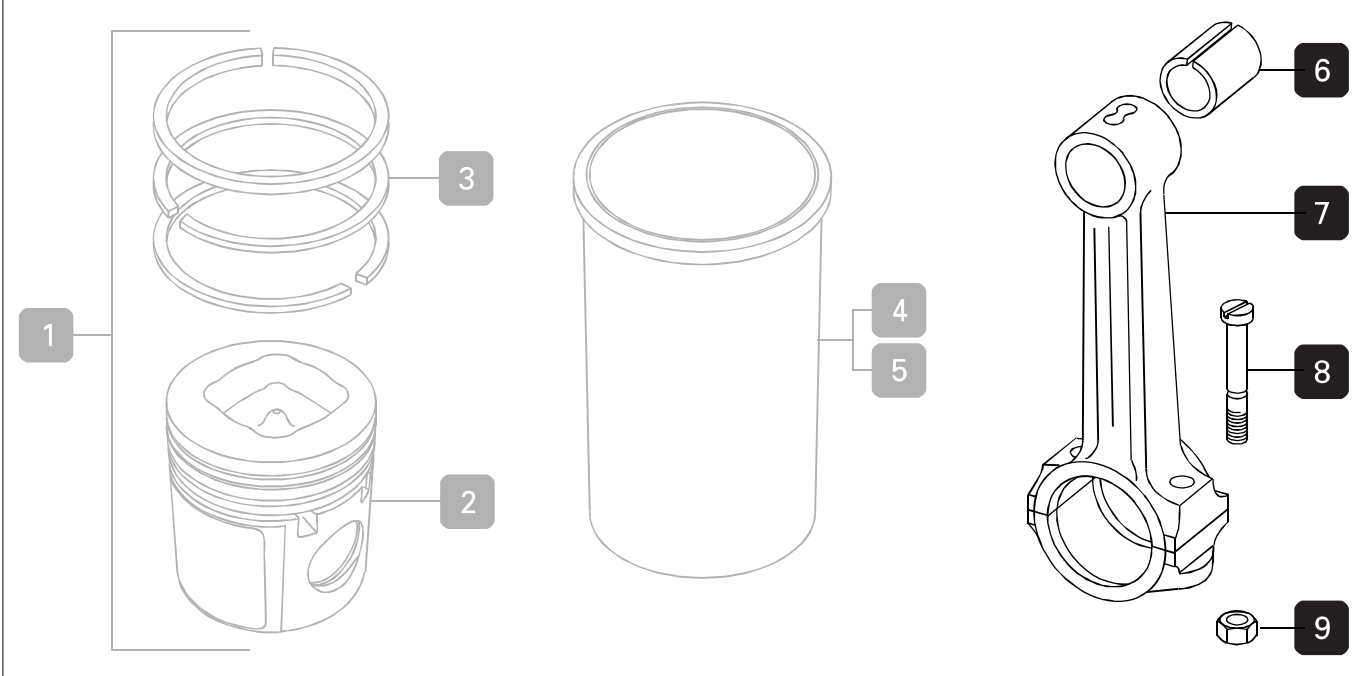
- 6 Bague pied de bielle
- 7 Bielle
- 8 Boulon de bielle
- 9 Écrou de bielle

- 6 Casquillo pie biela
- 7 Bulón biela
- 8 Tornillo biela
- 9 Tuerca biela

See remarks on page 21

Voir commentaires page 21

Consultar comentarios 21



Digital images / Images digitales / Gráficos digitales



- 6 VPB7001**
31134123x10
 - Internal diameter 34.47mm
 - Outer diameter 39.00mm
 - Width 33.8mm
 - Size when reamed min/max 34.94 - 34.96mm



- 6 VPB7008**
31134131x6
 - Internal diameter 38.23mm
 - Outer diameter 42.25mm
 - Width 34mm
 - Size when reamed min/max 38.12 - 38.14mm



- 6 VPB7044**
3112E041
3112E011
 - Internal diameter 39.00mm
 - Outer diameter 43.00mm
 - Width 33.7mm
 - Size when reamed min/max 39.719 - 39.738mm



- 6 VPB7051**
3112E005
 - Internal diameter 39.43mm
 - Outer diameter 42.25mm
 - Width 33.8mm
 - Size when reamed min/max 42.056 - 42.083mm



- 6 VPB7052**
3112A005
 - Internal diameter 39.22mm
 - Outer diameter 43.15mm
 - Width 33.5mm
 - Size when reamed min/max 43.01 - 43.04mm



- 7 VPB6002**
ZZ90009
84920, M7BJ0015



- 8 VPB6102**
32762145x10
32762107, 32762116, 32762144
 - Thread 1/2 UNF



- 9 VPB6202**
33221328x10
2211156, 33221321
 - Thread 1/2 UNF



English	Français	Español
Internal diameter	Diamètre intérieur	Diámetro interior
Outer diameter	Diamètre extérieur	Diámetro exterior
Width	Largeur	Anchura
Size when reamed min/max	Taille lorsque alésé - min/max	Tamaño cuando escariado - min/max
Thread	Fil	Hilo



- 1 Main bearing
- 2 Thrust washer

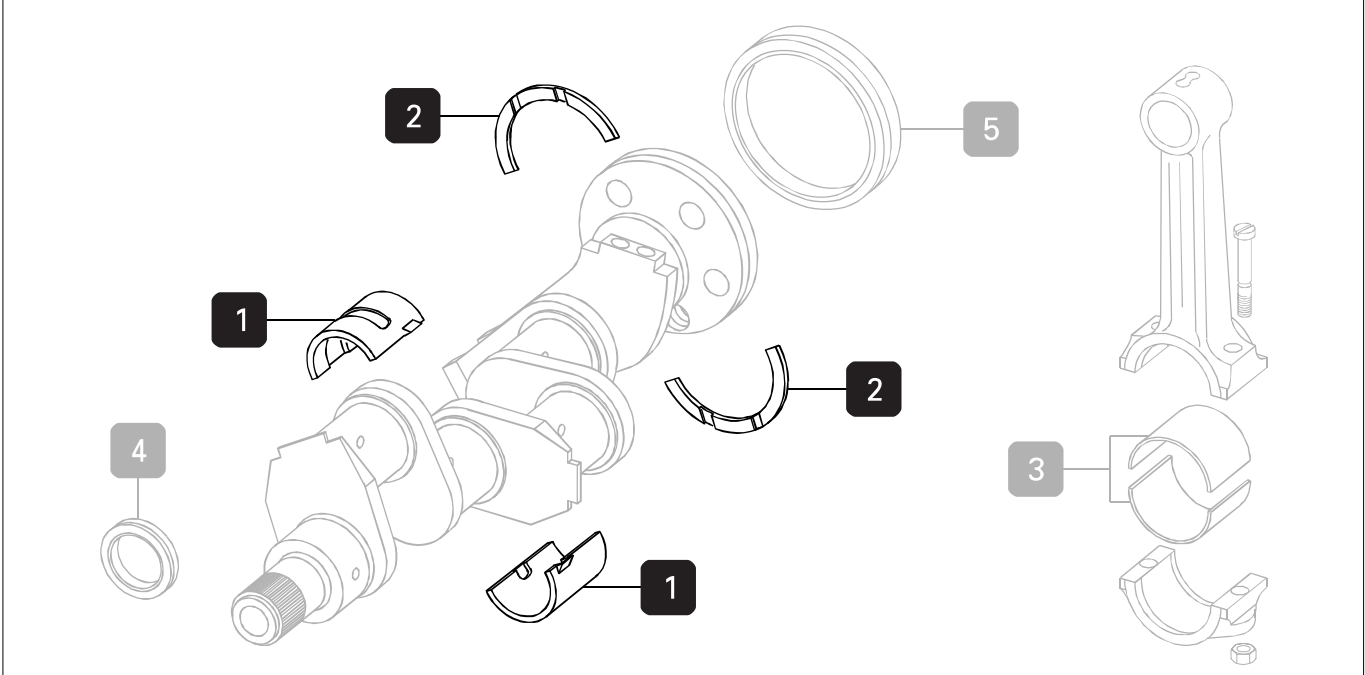
- 1 Coussinet de palier
- 2 Rondelle de butée

- 1 Casquillos bancada
- 2 Arandelas axiales

See remarks on page 25

Voir commentaires page 25

Consultar comentarios 25



	1	1	1	1	2	2
	Standard	0.010in	0.020in	0.030in	Standard	0.007in

1004.40	AA builds	VPC3030	VPC3031 81558A	VPC3032 81558B	VPC3033 81558C	VPC4702 U5TW0002	VPC4703 U5TW0002B
1004.40	AJ builds	VPC3030	VPC3031 81558A	VPC3032 81558B	VPC3033 81558C	VPC4702 U5TW0002	VPC4703 U5TW0002B
1004.40	AK builds	VPC3030	VPC3031 81558A	VPC3032 81558B	VPC3033 81558C	VPC4702 U5TW0002	VPC4703 U5TW0002B
1004.40	AM builds	VPC3030	VPC3031 81558A	VPC3032 81558B	VPC3033 81558C	VPC4702 U5TW0002	VPC4703 U5TW0002B
1004.40	AP builds	VPC3030	VPC3031 81558A	VPC3032 81558B	VPC3033 81558C	VPC4702 U5TW0002	VPC4703 U5TW0002B
1004.40	AQ builds	VPC3030	VPC3031 81558A	VPC3032 81558B	VPC3033 81558C	VPC4702 U5TW0002	VPC4703 U5TW0002B
1004.40T	AB builds	VPC3030	VPC3031 81558A	VPC3032 81558B	VPC3033 81558C	VPC4702 U5TW0002	VPC4703 U5TW0002B
1004.40T	AJ builds	VPC3030	VPC3031 81558A	VPC3032 81558B	VPC3033 81558C	VPC4702 U5TW0002	VPC4703 U5TW0002B
1004.40T	AK builds	VPC3030	VPC3031 81558A	VPC3032 81558B	VPC3033 81558C	VPC4702 U5TW0002	VPC4703 U5TW0002B
1004.40T	AM builds	VPC3030	VPC3031 81558A	VPC3032 81558B	VPC3033 81558C	VPC4702 U5TW0002	VPC4703 U5TW0002B
1004.40T	AP builds	VPC3030	VPC3031 81558A	VPC3032 81558B	VPC3033 81558C	VPC4702 U5TW0002	VPC4703 U5TW0002B
1004.40T	AQ builds	VPC3030	VPC3031 81558A	VPC3032 81558B	VPC3033 81558C	VPC4702 U5TW0002	VPC4703 U5TW0002B
1004.40T	YD builds	VPC3030	VPC3031 81558A	VPC3032 81558B	VPC3033 81558C	VPC4702 U5TW0002	VPC4703 U5TW0002B
1004.40T	YE builds	VPC3030	VPC3031 81558A	VPC3032 81558B	VPC3033 81558C	VPC4702 U5TW0002	VPC4703 U5TW0002B
1004.42	AR builds	VPC3030	VPC3031 81558A	VPC3032 81558B	VPC3033 81558C	VPC4702 U5TW0002	VPC4703 U5TW0002B
1004.42	AS builds	VPC3030	VPC3031 81558A	VPC3032 81558B	VPC3033 81558C	VPC4702 U5TW0002	VPC4703 U5TW0002B
1006.60	YA builds	VPC3045 U5MB0030	VPC3046 U5MB0030A	-	-	VPC4702 U5TW0002	VPC4703 U5TW0002B

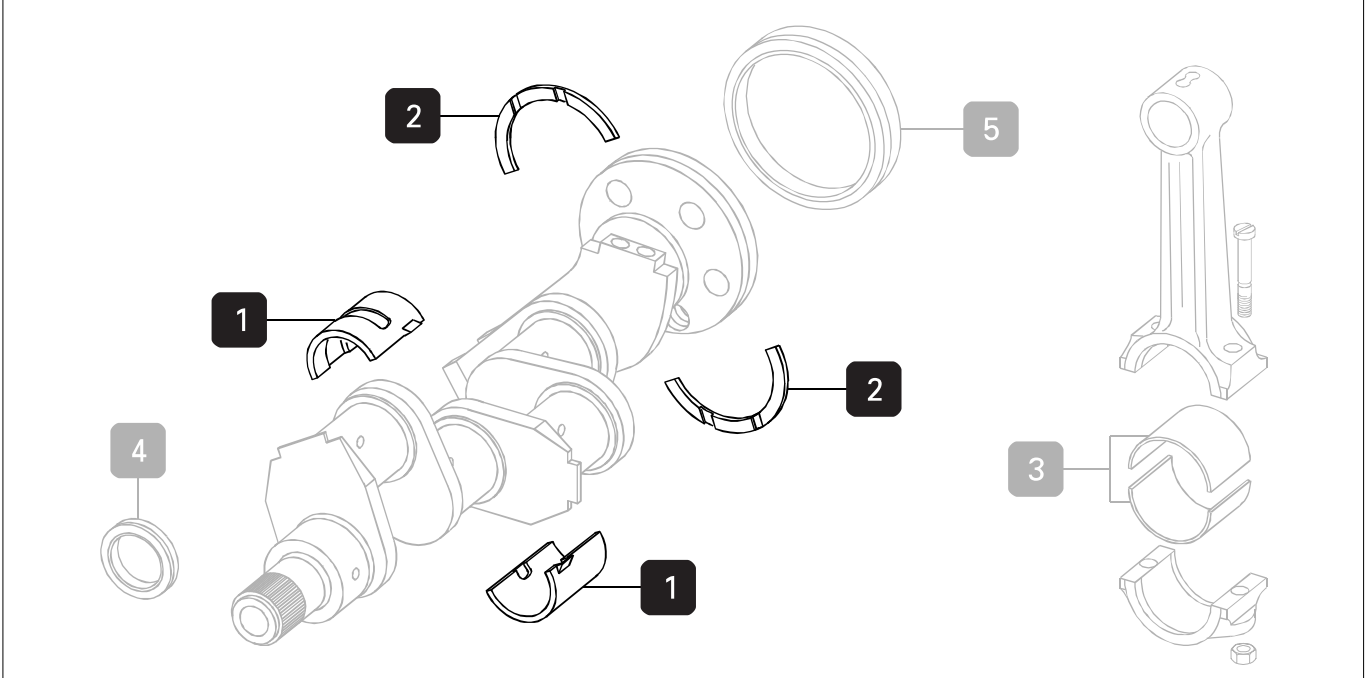


	1	1	1	1	2	2
	Standard	0.010in	0.020in	0.030in	Standard	0.007in

1006.60T	YB builds	VPC3045 U5MB0030	VPC3046 U5MB0030A	-	-	VPC4702 U5TW0002	VPC4703 U5TW0002B
1006.60T	YD builds	VPC3045 U5MB0030	VPC3046 U5MB0030A	-	-	VPC4702 U5TW0002	VPC4703 U5TW0002B
1006.60T	YE builds	VPC3045 U5MB0030	VPC3046 U5MB0030A	-	-	VPC4702 U5TW0002	VPC4703 U5TW0002B
1006.60T	YG builds	VPC3045 U5MB0030	VPC3046 U5MB0030A	-	-	VPC4702 U5TW0002	VPC4703 U5TW0002B
1006.60T	YH builds	VPC3045 U5MB0030	VPC3046 U5MB0030A	-	-	VPC4702 U5TW0002	VPC4703 U5TW0002B
1006.60T	YJ builds	VPC3045 U5MB0030	VPC3046 U5MB0030A	-	-	VPC4702 U5TW0002	VPC4703 U5TW0002B
1006.60T	YK builds	VPC3045 U5MB0030	VPC3046 U5MB0030A	-	-	VPC4702 U5TW0002	VPC4703 U5TW0002B
1103A-33	DJ builds	VPC3025 U5MB0037	VPC3026 U5MB0037A	-	-	VPC4702 U5TW0002	VPC4703 U5TW0002B
1103A-33T	DK builds	VPC3025 U5MB0037	VPC3026 U5MB0037A	-	-	VPC4702 U5TW0002	VPC4703 U5TW0002B
1103B-33	DF builds	VPC3025 U5MB0037	VPC3026 U5MB0037A	-	-	VPC4702 U5TW0002	VPC4703 U5TW0002B
1103B-33T	DG builds	VPC3025 U5MB0037	VPC3026 U5MB0037A	-	-	VPC4702 U5TW0002	VPC4703 U5TW0002B
1103C-33	DC builds	VPC3025 U5MB0037	VPC3026 U5MB0037A	-	-	VPC4702 U5TW0002	VPC4703 U5TW0002B
1103C-33T	DD builds	VPC3025 U5MB0037	VPC3026 U5MB0037A	-	-	VPC4702 U5TW0002	VPC4703 U5TW0002B
1103C-33TA	DE builds	VPC3025 U5MB0037	VPC3026 U5MB0037A	-	-	VPC4702 U5TW0002	VPC4703 U5TW0002B
1103D-33	XK builds	VPC3025 U5MB0037	VPC3026 U5MB0037A	-	-	VPC4702 U5TW0002	VPC4703 U5TW0002B
1103D-33T	XL builds	VPC3025 U5MB0037	VPC3026 U5MB0037A	-	-	VPC4702 U5TW0002	VPC4703 U5TW0002B
1103D-33TA	XM builds	VPC3025 U5MB0037	VPC3026 U5MB0037A	-	-	VPC4702 U5TW0002	VPC4703 U5TW0002B
1104A-44	RR builds	VPC3035 U5MB0033	VPC3036 U5MB0033A	-	-	VPC4702 U5TW0002	VPC4703 U5TW0002B
1104A-44T	RS builds	VPC3035 U5MB0033	VPC3036 U5MB0033A	-	-	VPC4702 U5TW0002	VPC4703 U5TW0002B
1104A-44TA	RT builds	VPC3035 U5MB0033	VPC3036 U5MB0033A	-	-	VPC4702 U5TW0002	VPC4703 U5TW0002B
1104C-E44	RF builds	VPC3035 U5MB0033	VPC3036 U5MB0033A	-	-	VPC4702 U5TW0002	VPC4703 U5TW0002B
1104C-E44T	RH builds	VPC3035 U5MB0033	VPC3036 U5MB0033A	-	-	VPC4702 U5TW0002	VPC4703 U5TW0002B
1104C-E44TA	RK builds	VPC3035 U5MB0033	VPC3036 U5MB0033A	-	-	VPC4702 U5TW0002	VPC4703 U5TW0002B
1104C-44	RE builds	VPC3035 U5MB0033	VPC3036 U5MB0033A	-	-	VPC4702 U5TW0002	VPC4703 U5TW0002B
1104C-44T	RG builds	VPC3035 U5MB0033	VPC3036 U5MB0033A	-	-	VPC4702 U5TW0002	VPC4703 U5TW0002B
1104C-44TA	RJ builds	VPC3035 U5MB0033	VPC3036 U5MB0033A	-	-	VPC4702 U5TW0002	VPC4703 U5TW0002B
1104D-44	NK builds	VPC3035 U5MB0033	VPC3036 U5MB0033A	-	-	VPC4702 U5TW0002	VPC4703 U5TW0002B
1104D-44T	NL builds	VPC3035 U5MB0033	VPC3036 U5MB0033A	-	-	VPC4702 U5TW0002	VPC4703 U5TW0002B
1104D-44TA	NM builds	VPC3035 U5MB0033	VPC3036 U5MB0033A	-	-	VPC4702 U5TW0002	VPC4703 U5TW0002B
1106-E60TA	VK builds	VPC3045 U5MB0030	VPC3046 U5MB0030A	-	-	VPC4702 U5TW0002	VPC4703 U5TW0002B



<p>1 Main bearing 2 Thrust washer</p>	<p>1 Coussinet de palier 2 Rondelle de butée</p>	<p>1 Casquillos bancada 2 Arandelas axiales</p>
See remarks on page 25	Voir commentaires page 25	Consultar comentarios 25



Digital images / Images digitales / Gráficos digitales



1 VPC3025
U5MB0037
U5MB0019



1 VPC3026 +0.010"
U5MB0037A
U5MB0019A



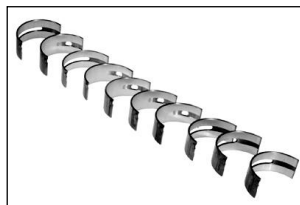
1 VPC3030
81558



1 VPC3031 +0.010"
81558A



1 VPC3032 +0.020"
81558B



1 VPC3033 +0.030"
81558C



1 VPC3035
U5MB0033
U5MB0018



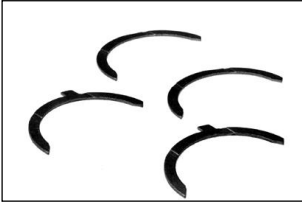
1 VPC3036 +0.010"
U5MB0033A
U5MB0018A



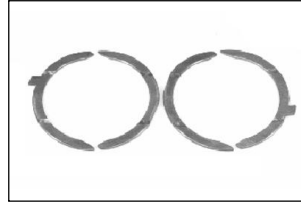
1 VPC3045
U5MB0030



1 VPC3046 +0.010"
U5MB0030A



2 VPC4702
U5TW0002
31137311x2, 31137321x2, 31137551x2 &
31137561x2



2 VPC4703 +0.007"
U5TW0002B
31137312, 31137322



3 Conrod bearing See remarks on page 31	3 Coussinet de bielle Voir commentaires page 31	3 Juego casquillos biela Consultar comentarios 31
 3 Standard	3 0.010in	3 0.020in
3 0.030in		

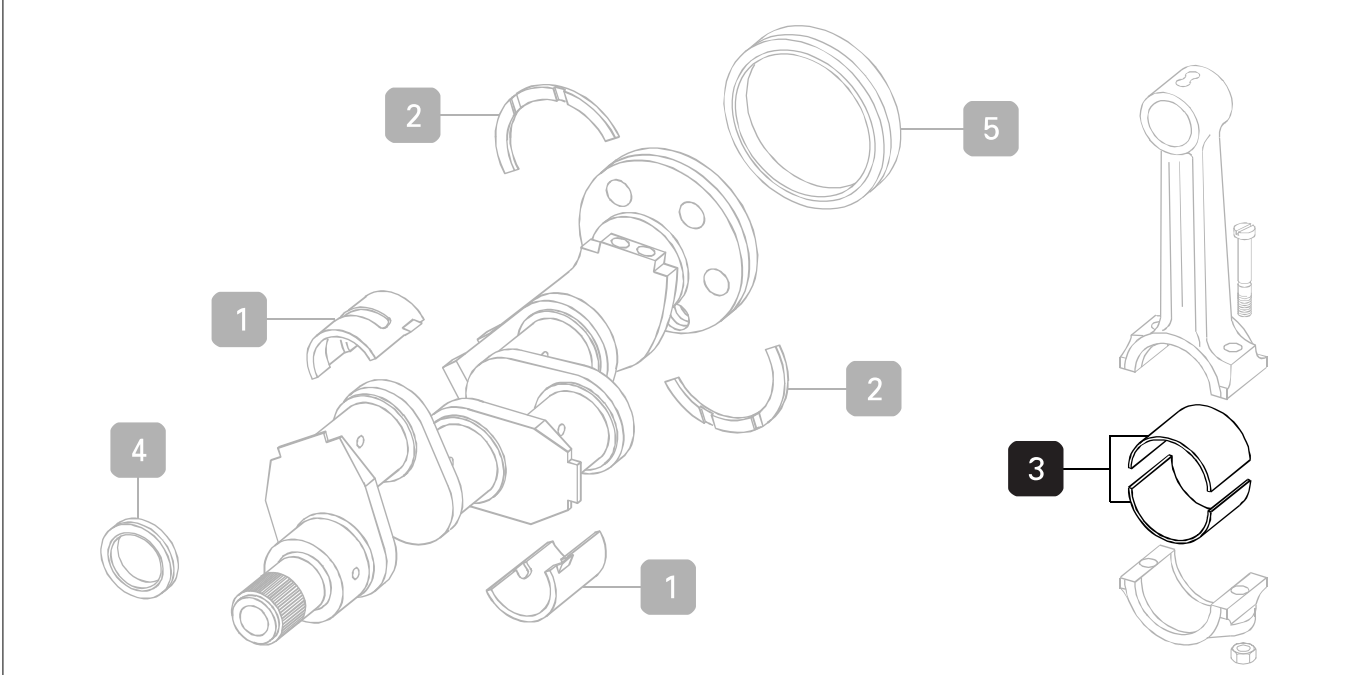
1004.40	AA builds	VPC2030 85042	VPC2031 85042A	VPC2032 85042B	VPC2033 85042Cx8
1004.40	AJ builds	VPC2007 (a) U5ME0033, U5ME0034, U5ME0035 VPC2850 (b) U5ME0006	VPC2008 (a) U5ME0033A, U5ME0034A, U5ME0035A VPC2851 (b) U5ME0006A	-	-
1004.40	AK builds	VPC2007 (a) U5ME0033, U5ME0034, U5ME0035 VPC2850 (b) U5ME0006	VPC2008 (a) U5ME0033A, U5ME0034A, U5ME0035A VPC2851 (b) U5ME0006A	-	-
1004.40	AM builds	VPC2007 (a) U5ME0033, U5ME0034, U5ME0035 VPC2850 (b) U5ME0006	VPC2008 (a) U5ME0033A, U5ME0034A, U5ME0035A VPC2851 (b) U5ME0006A	-	-
1004.40	AP builds	VPC2007 (a) U5ME0033, U5ME0034, U5ME0035 VPC2850 (b) U5ME0006	VPC2008 (a) U5ME0033A, U5ME0034A, U5ME0035A VPC2851 (b) U5ME0006A	-	-
1004.40	AQ builds	VPC2007 (a) U5ME0033, U5ME0034, U5ME0035 VPC2850 (b) U5ME0006	VPC2008 (a) U5ME0033A, U5ME0034A, U5ME0035A VPC2851 (b) U5ME0006A	-	-
1004.40T	AB builds	VPC2850 U5ME0006	VPC2851 U5ME0006A	-	-
1004.40T	AJ builds	VPC2007 (a) U5ME0033, U5ME0034, U5ME0035 VPC2850 (b) U5ME0006	VPC2008 (a) U5ME0033A, U5ME0034A, U5ME0035A VPC2851 (b) U5ME0006A	-	-



		 3 Standard	 3 0.010in	 3 0.020in	 3 0.030in
1004.40T	AK builds	VPC2007 (a) U5ME0033, U5ME0034, U5ME0035 VPC2850 (b) U5ME0006	VPC2008 (a) U5ME0033A, U5ME0034A, U5ME0035A VPC2851 (b) U5ME0006A	-	-
1004.40T	AM builds	VPC2007 (a) U5ME0033, U5ME0034, U5ME0035 VPC2850 (b) U5ME0006	VPC2008 (a) U5ME0033A, U5ME0034A, U5ME0035A VPC2851 (b) U5ME0006A	-	-
1004.40T	AP builds	VPC2007 (a) U5ME0033, U5ME0034, U5ME0035 VPC2850 (b) U5ME0006	VPC2008 (a) U5ME0033A, U5ME0034A, U5ME0035A VPC2851 (b) U5ME0006A	-	-
1004.40T	AQ builds	VPC2007 (a) U5ME0033, U5ME0034, U5ME0035 VPC2850 (b) U5ME0006	VPC2008 (a) U5ME0033A, U5ME0034A, U5ME0035A VPC2851 (b) U5ME0006A	-	-
1004.40T	YD builds	VPC2850 (b) U5ME0006	VPC2851 (b) U5ME0006A	-	-
1004.40T	YE builds	VPC2850 (b) U5ME0006	VPC2851 (b) U5ME0006A	-	-
1004.42	AR builds	VPC2007 (a) U5ME0033, U5ME0034, U5ME0035 VPC2030 (b) 85042	VPC2008 (a) U5ME0033A, U5ME0034A, U5ME0035A VPC2031 (b) 85042A	VPC2032 (b) 85042B	VPC2033 (b) 85042Cx8
1004.42	AS builds	VPC2007 (a) U5ME0033, U5ME0034, U5ME0035 VPC2030 (b) 85042	VPC2008 (a) U5ME0033A, U5ME0034A, U5ME0035A VPC2031 (b) 85042A	VPC2032 (b) 85042B	VPC2033 (b) 85042Cx8
1006.60	YA builds	VPC2240 U5ME0003	VPC2241 U5ME0003A	VPC2242 U5ME0003B	-
1006.60T	YB builds	VPC2240 U5ME0003	VPC2241 U5ME0003A	VPC2242 U5ME0003B	-
1006.60T	YD builds	VPC2007 (e) U5ME0033, U5ME0034, U5ME0035 VPC2240 (f) U5ME0003	VPC2008 (e) U5ME0033A, U5ME0034A, U5ME0035A VPC2241 (f) U5ME0003A	VPC2242 (f) U5ME0003B	-
1006.60T	YE builds	VPC2007 (e) U5ME0033, U5ME0034, U5ME0035 VPC2240 (f) U5ME0003	VPC2008 (e) U5ME0033A, U5ME0034A, U5ME0035A VPC2241 (f) U5ME0003A	VPC2242 (f) U5ME0003B	-
1006.60T	YG builds	VPC2007 (e) U5ME0033, U5ME0034, U5ME0035 VPC2240 (f) U5ME0003	VPC2008 (e) U5ME0033A, U5ME0034A, U5ME0035A VPC2241 (f) U5ME0003A	VPC2242 (f) U5ME0003B	-
1006.60T	YH builds	VPC2007 (e) U5ME0033, U5ME0034, U5ME0035 VPC2240 (f) U5ME0003	VPC2008 (e) U5ME0033A, U5ME0034A, U5ME0035A VPC2241 (f) U5ME0003A	VPC2242 (f) U5ME0003B	-
1006.60T	YJ builds	VPC2007 (e) U5ME0033, U5ME0034, U5ME0035 VPC2240 (f) U5ME0003	VPC2008 (e) U5ME0033A, U5ME0034A, U5ME0035A VPC2241 (f) U5ME0003A	VPC2242 (f) U5ME0003B	-
1006.60T	YK builds	VPC2007 (e) U5ME0033, U5ME0034, U5ME0035 VPC2240 (f) U5ME0003	VPC2008 (e) U5ME0033A, U5ME0034A, U5ME0035A VPC2241 (f) U5ME0003A	VPC2242 (f) U5ME0003B	-
1103A-33	DJ builds	VPC2007 U5ME0033, U5ME0034, U5ME0035	VPC2008 U5ME0033A, U5ME0034A, U5ME0035A	-	-



3 Conrod bearing	3 Coussinet de bielle	3 Juego casquillos biela
See remarks on page 31	Voir commentaires page 31	Consultar comentarios 31



	3	3	3	3
	Standard	0.010in	0.020in	0.030in

1103A-33T	DK builds	VPC2007 U5ME0033, U5ME0034, U5ME0035	VPC2008 U5ME0033A, U5ME0034A, U5ME0035A	-	-
1103B-33	DF builds	VPC2007 U5ME0033, U5ME0034, U5ME0035	VPC2008 U5ME0033A, U5ME0034A, U5ME0035A	-	-
1103B-33T	DG builds	VPC2007 U5ME0033, U5ME0034, U5ME0035	VPC2008 U5ME0033A, U5ME0034A, U5ME0035A	-	-
1103C-33	DC builds	VPC2007 U5ME0033, U5ME0034, U5ME0035	VPC2008 U5ME0033A, U5ME0034A, U5ME0035A	-	-
1103C-33T	DD builds	VPC2007 U5ME0033, U5ME0034, U5ME0035	VPC2008 U5ME0033A, U5ME0034A, U5ME0035A	-	-
1103C-33TA	DE builds	VPC2007 U5ME0033, U5ME0034, U5ME0035	VPC2008 U5ME0033A, U5ME0034A, U5ME0035A	-	-
1103D-33	XK builds	VPC2007 U5ME0033, U5ME0034, U5ME0035	VPC2008 U5ME0033A, U5ME0034A, U5ME0035A	-	-
1103D-33T	XL builds	VPC2007 U5ME0033, U5ME0034, U5ME0035	VPC2008 U5ME0033A, U5ME0034A, U5ME0035A	-	-
1103D-33TA	XM builds	VPC2007 U5ME0033, U5ME0034, U5ME0035	VPC2008 U5ME0033A, U5ME0034A, U5ME0035A	-	-
1104A-44	RR builds	VPC2007 U5ME0033, U5ME0034, U5ME0035	VPC2008 U5ME0033A, U5ME0034A, U5ME0035A	-	-
1104A-44T	RS builds	VPC2007 U5ME0033, U5ME0034, U5ME0035	VPC2008 U5ME0033A, U5ME0034A, U5ME0035A	-	-
1104A-44TA	RT builds	VPC2007 U5ME0033, U5ME0034, U5ME0035	VPC2008 U5ME0033A, U5ME0034A, U5ME0035A	-	-
1104C-E44	RF builds	VPC2007 U5ME0033, U5ME0034, U5ME0035	VPC2008 U5ME0033A, U5ME0034A, U5ME0035A	-	-
1104C-E44T	RH builds	VPC2007 U5ME0033, U5ME0034, U5ME0035	VPC2008 U5ME0033A, U5ME0034A, U5ME0035A	-	-



	3	3	3	3
	Standard	0.010in	0.020in	0.030in
1104C-E44TA RK builds	VPC2007 U5ME0033, U5ME0034, U5ME0035	VPC2008 U5ME0033A, U5ME0034A, U5ME0035A	-	-
1104C-44 RE builds	VPC2007 U5ME0033, U5ME0034, U5ME0035	VPC2008 U5ME0033A, U5ME0034A, U5ME0035A	-	-
1104C-44T RG builds	VPC2007 U5ME0033, U5ME0034, U5ME0035	VPC2008 U5ME0033A, U5ME0034A, U5ME0035A	-	-
1104C-44TA RJ builds	VPC2007 U5ME0033, U5ME0034, U5ME0035	VPC2008 U5ME0033A, U5ME0034A, U5ME0035A	-	-
1104D-44 NK builds	VPC2007 U5ME0033, U5ME0034, U5ME0035	VPC2008 U5ME0033A, U5ME0034A, U5ME0035A	-	-
1104D-44T NL builds	VPC2007 U5ME0033, U5ME0034, U5ME0035	VPC2008 U5ME0033A, U5ME0034A, U5ME0035A	-	-
1104D-44TA NM builds	VPC2007 U5ME0033, U5ME0034, U5ME0035	VPC2008 U5ME0033A, U5ME0034A, U5ME0035A	-	-
1106-E60TA VK builds	VPC2007 (c) U5ME0033, U5ME0034, U5ME0035 VPC2240 (d) U5ME0003	VPC2008 (c) U5ME0033A, U5ME0034A, U5ME0035A VPC2241 (d) U5ME0003A	VPC2242 (d) U5ME0003B	-

Serial numbers and date ranges / Nos de série et plages de dates / Números de serie y fecha de fabricación

(a) U284278J →
(e) U801518J →

(b) → U284277J
(f) → U801517J

(c) U090154J →

(d) → U090154J

Digital images / Images digitales / Gráficos digitales


3 VPC2007
U5ME0033, U5ME0034, U5ME0035
U5ME0006, U5ME0013, U5ME0018,
U5ME0025



3 VPC2008 +0.010"
U5ME0033A, U5ME0034A, U5ME0035A
U5ME0018A



3 VPC2030
85042
31126311, 31132281, U5ME0002



3 VPC2031 +0.010"
85042A
U5ME0002A



3 VPC2032 +0.020"
85042B
U5ME0002B



3 VPC2033 +0.030"
85042C
U5ME0002C



3 VPC2240
U5ME0003
31132011, 85043, 89064



3 VPC2241 +0.010"
U5ME0003A
85043A, 89064A



3 Conrod bearing

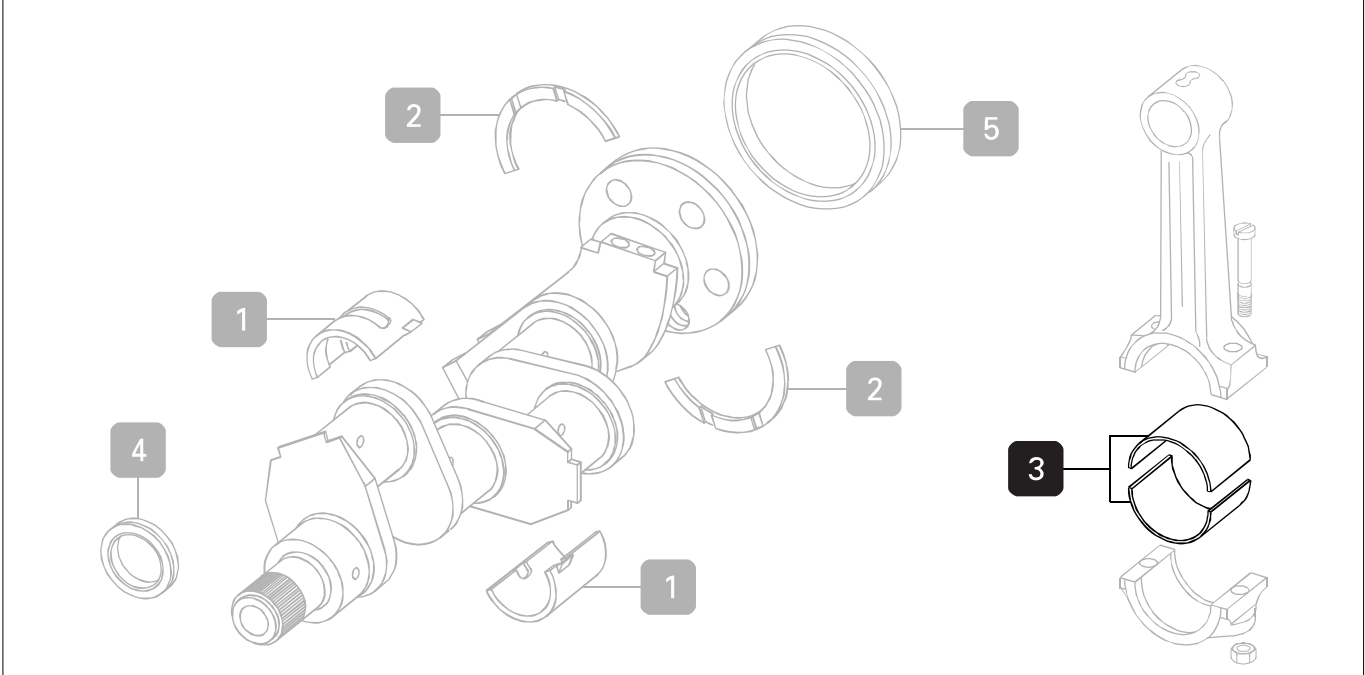
3 Coussinet de bielle

3 Juego casquillos biela

See remarks on page 31

Voir commentaires page 31

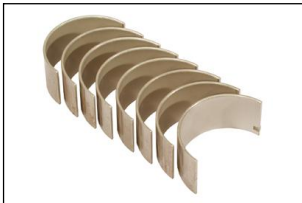
Consultar comentarios 31



3 **VPC2242** +0.020"
U5ME0003B
85043B, 89064B



3 **VPC2850**
U5ME0006



3 **VPC2851** +0.010"
U5ME0006A



**Crankshaft
Vilebrequin
Cigüeñal**



- 4 Front oil seal
- 5 Rear oil seal

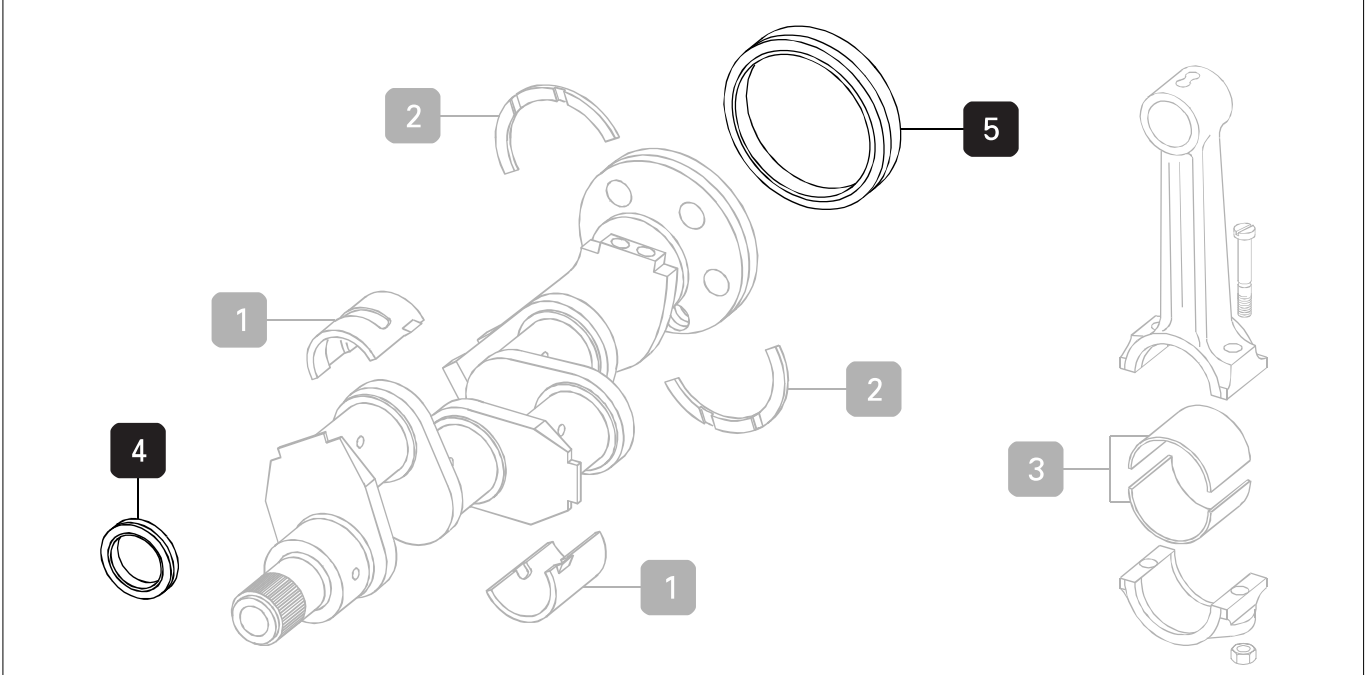
- 4 Joint de palier avant
- 5 Joint de palier arrière

- 4 Retén delantero cigüeñal
- 5 Retén trasero cigüeñal

See remarks on page 36

Voir commentaires page 36

Consultar comentarios 36



4



5



1004.40	AA builds	VPC5103 2418F436	VPC5040 (a) 2418F475 VPC5048 (b) 2418F701
1004.40	AJ builds	VPC5103 2418F436	VPC5040 (a) 2418F475 VPC5048 (b) 2418F701
1004.40	AK builds	VPC5103 2418F436	VPC5040 (a) 2418F475 VPC5048 (b) 2418F701
1004.40	AM builds	VPC5103 2418F436	VPC5040 (a) 2418F475 VPC5048 (b) 2418F701
1004.40	AP builds	VPC5103 2418F436	VPC5040 (a) 2418F475 VPC5048 (b) 2418F701
1004.40	AQ builds	VPC5103 2418F436	VPC5040 (a) 2418F475 VPC5048 (b) 2418F701
1004.40T	AB builds	VPC5103 2418F436	VPC5040 (a) 2418F475 VPC5048 (b) 2418F701
1004.40T	AJ builds	VPC5103 2418F436	VPC5040 (a) 2418F475 VPC5048 (b) 2418F701
1004.40T	AK builds	VPC5103 2418F436	VPC5040 (a) 2418F475 VPC5048 (b) 2418F701



4



5



1004.40T	AM builds	VPC5103 2418F436	VPC5040 (a) 2418F475 VPC5048 (b) 2418F701
1004.40T	AP builds	VPC5103 2418F436	VPC5040 (a) 2418F475 VPC5048 (b) 2418F701
1004.40T	AQ builds	VPC5103 2418F436	VPC5040 (a) 2418F475 VPC5048 (b) 2418F701
1004.40T	YD builds	VPC5103 2418F436	VPC5040 2418F475
1004.40T	YE builds	VPC5103 2418F436	VPC5040 2418F475
1004.42	AR builds	VPC5103 2418F436	VPC5040 (a) 2418F475 VPC5048 (b) 2418F701
1004.42	AS builds	VPC5103 2418F436	VPC5040 (a) 2418F475 VPC5048 (b) 2418F701
1006.60	YA builds	VPC5103 2418F436	VPC5040 (c) 2418F475 VPC5048 (d) 2418F701
1006.60T	YB builds	VPC5103 2418F436	VPC5040 (c) 2418F475 VPC5048 (d) 2418F701
1006.60T	YD builds	VPC5103 2418F436	VPC5040 (c) 2418F475 VPC5048 (d) 2418F701
1006.60T	YE builds	VPC5103 2418F436	VPC5040 (c) 2418F475 VPC5048 (d) 2418F701
1006.60T	YG builds	VPC5103 2418F436	VPC5040 (c) 2418F475 VPC5048 (d) 2418F701
1006.60T	YH builds	VPC5103 2418F436	VPC5040 (c) 2418F475 VPC5048 (d) 2418F701
1006.60T	YJ builds	VPC5103 2418F436	VPC5040 (c) 2418F475 VPC5048 (d) 2418F701
1006.60T	YK builds	VPC5103 2418F436	VPC5040 (c) 2418F475 VPC5048 (d) 2418F701
1103A-33	DJ builds	VPC5103 2418F436	VPC5049 2418F704
1103A-33T	DK builds	VPC5103 2418F436	VPC5049 2418F704
1103B-33	DF builds	VPC5103 2418F436	VPC5049 2418F704
1103B-33T	DG builds	VPC5103 2418F436	VPC5049 2418F704
1103C-33	DC builds	VPC5103 2418F436	VPC5049 2418F704
1103C-33T	DD builds	VPC5103 2418F436	VPC5049 2418F704
1103C-33TA	DE builds	VPC5103 2418F436	VPC5049 2418F704



**Crankshaft
Vilebrequin
Cigüeñal**



- 4 Front oil seal
- 5 Rear oil seal

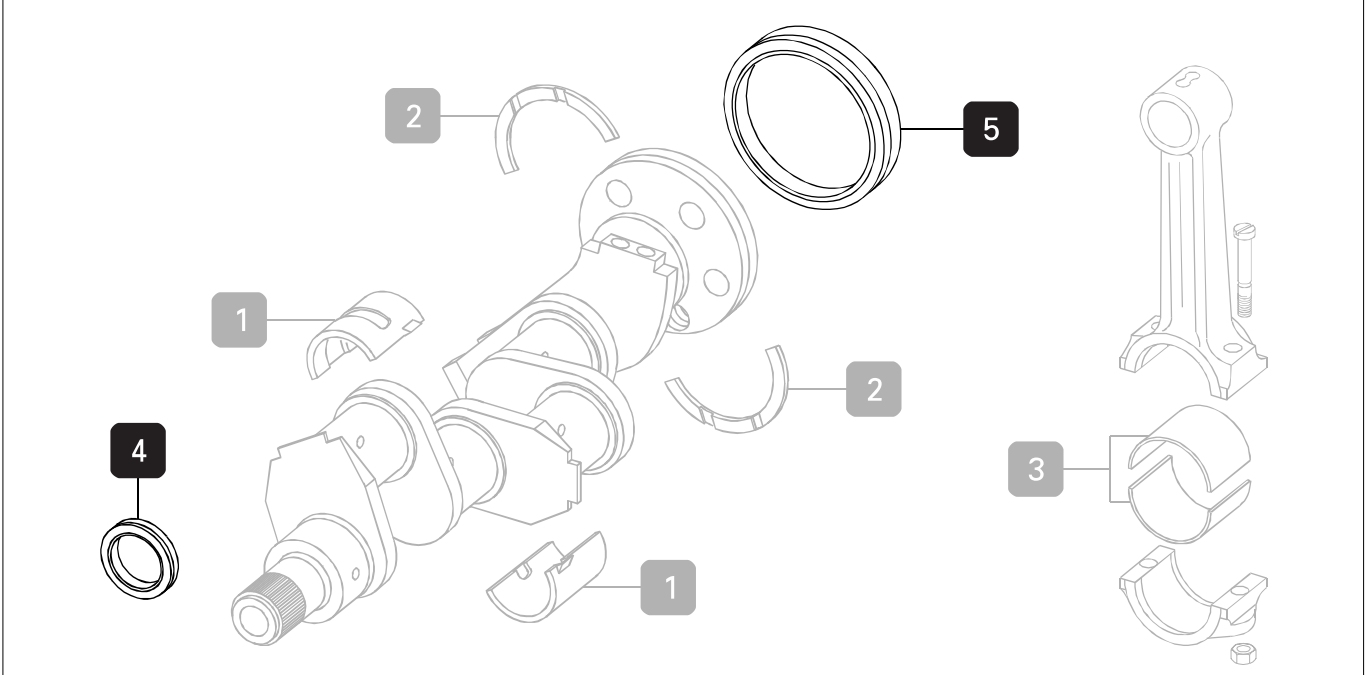
- 4 Joint de palier avant
- 5 Joint de palier arrière

- 4 Retén delantero cigüeñal
- 5 Retén trasero cigüeñal

See remarks on page 36

Voir commentaires page 36

Consultar comentarios 36



4

5

1103D-33	XK builds	VPC5103 2418F436	VPC5049 2418F704
1103D-33T	XL builds	VPC5103 2418F436	VPC5049 2418F704
1103D-33TA	XM builds	VPC5103 2418F436	VPC5049 2418F704
1104A-44	RR builds	VPC5103 2418F436	VPC5049 2418F704
1104A-44T	RS builds	VPC5103 2418F436	VPC5049 2418F704
1104A-44TA	RT builds	VPC5103 2418F436	VPC5049 2418F704
1104C-E44	RF builds	VPC5103 2418F436	VPC5049 2418F704
1104C-E44T	RH builds	VPC5103 2418F436	VPC5049 2418F704
1104C-E44TA	RK builds	VPC5103 2418F436	VPC5049 2418F704
1104C-44	RE builds	VPC5103 2418F436	VPC5049 2418F704
1104C-44T	RG builds	VPC5103 2418F436	VPC5049 2418F704
1104C-44TA	RJ builds	VPC5103 2418F436	VPC5049 2418F704
1104D-44	NK builds	VPC5103 2418F436	VPC5049 2418F704
1104D-44T	NL builds	VPC5103 2418F436	VPC5049 2418F704
1104D-44TA	NM builds	VPC5103 2418F436	VPC5049 2418F704
1106-E60TA	VK builds	VPC5103 2418F436	VPC5048 2418F701

Serial numbers and date ranges / Nos de série et plages de dates / Números de serie y fecha de fabricación

(a) → U176356H

(b) U176357H →

(c) → U764751H

(d) U764752H →



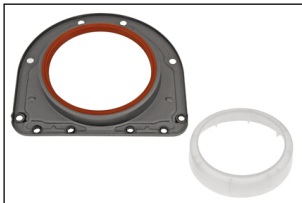
Digital images / Images digitales / Gráficos digitales



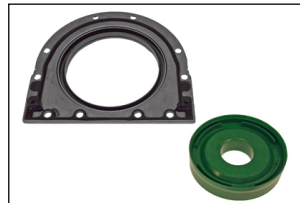
- 4 VPC5103**
2418F436
2415361
- Type Lip
 - Internal diameter 62.5mm
 - Outer diameter 79mm
 - Width 9mm



- 5 VPC5040**
2418F475
- Type Lip
 - Internal diameter 137mm
 - Outer diameter 159mm
 - Width 11mm



- 5 VPC5048**
2418F701
- Type Lip
 - Internal diameter 133.3mm
 - Width 23.2mm



- 5 VPC5049**
2418F704
- Type Lip
 - Internal diameter 132mm
 - Width 19.9mm

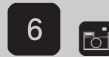
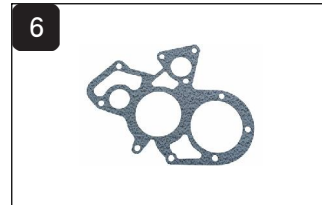
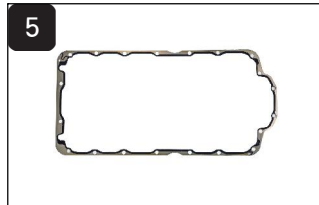
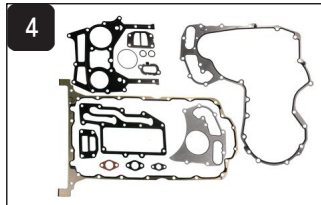
	English	Français	Español
Type Lip		Type a lèvres	Tipo labio
Internal diameter		Diamètre intérieur	Diámetro interior
Outer diameter		Diamètre extérieur	Diámetro exterior
Width		Largeur	Anchura



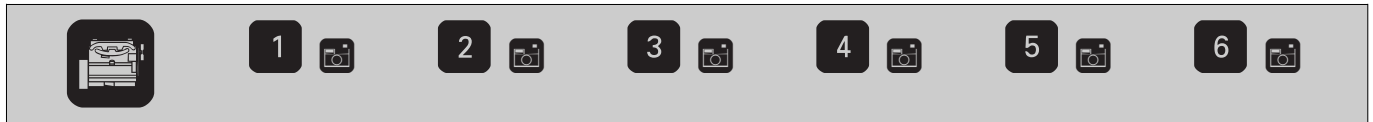
**Gaskets
Joints
Juntas**



<ul style="list-style-type: none"> 1 Top gasket set 2 Rocker cover gasket 3 Cylinder head gasket 4 Bottom gasket set 5 Sump gasket 6 Water pump gasket 	<ul style="list-style-type: none"> 1 Pochette joints supérieurs 2 Joint de cache-culbuteurs 3 Joint de culasse 4 Pochette joints inférieurs 5 Carter inférieur 6 Joint de pompe à eau 	<ul style="list-style-type: none"> 1 Juego juntas superior 2 Junta tapa válvulas 3 Junta culata 4 Juego juntas inferiores 5 Colector de lubricante 6 Junta bomba agua
See remarks on page 41	Voir commentaires page 41	Consultar comentarios 41



1004.40	AA builds	VPA4063 U5LT1178	VPA4570 3681A032	VPA5502 3681E037	VPC6087 U5LB0151	VPC5449 U5MK0600	-
1004.40	AJ builds	VPA4078 U5LT1202	VPA4619 3681A049	VPA5502 3681E037	VPC6123 U5LB1171	-	VPE2624 3687Y016
1004.40	AK builds	VPA4078 U5LT1202	VPA4619 3681A049	VPA5502 3681E037	VPC6123 U5LB1171	-	VPE2624 3687Y016
1004.40	AM builds	VPA4078 U5LT1202	VPA4619 3681A049	VPA5502 3681E037	VPC6123 U5LB1171	-	VPE2624 3687Y016
1004.40	AP builds	VPA4078 U5LT1202	VPA4619 3681A049	VPA5502 3681E037	VPC6123 U5LB1171	-	VPE2624 3687Y016
1004.40	AQ builds	VPA4078 U5LT1202	VPA4619 3681A049	VPA5502 3681E037	VPC6123 U5LB1171	-	VPE2624 3687Y016
1004.40T	AB builds	VPA4063 U5LT1178	VPA4570 3681A032	VPA5502 3681E037	-	VPC5449 U5MK0600	-
1004.40T	AJ builds	VPA4078 U5LT1202	VPA4619 3681A049	VPA5502 3681E037	VPC6123 U5LB1171	-	VPE2624 3687Y016
1004.40T	AK builds	VPA4078 U5LT1202	VPA4619 3681A049	VPA5502 3681E037	VPC6123 U5LB1171	-	VPE2624 3687Y016
1004.40T	AM builds	VPA4078 U5LT1202	VPA4619 3681A049	VPA5502 3681E037	VPC6123 U5LB1171	-	VPE2624 3687Y016
1004.40T	AP builds	VPA4078 U5LT1202	VPA4619 3681A049	VPA5502 3681E037	VPC6123 U5LB1171	-	VPE2624 3687Y016
1004.40T	AQ builds	VPA4078 U5LT1202	VPA4619 3681A049	VPA5502 3681E037	VPC6123 U5LB1171	-	VPE2624 3687Y016
1004.40T	YD builds	VPA4063 U5LT1178	VPA4570 3681A032	VPA5502 3681E037	-	VPC5449 U5MK0600	-
1004.40T	YE builds	VPA4063 U5LT1178	VPA4570 3681A032	VPA5502 3681E037	-	VPC5449 U5MK0600	-
1004.42	AR builds	VPA4119 U5LT0317	VPA4619 3681A049	VPA4614 3681E042	VPC6123 U5LB1171	-	VPE2624 3687Y016



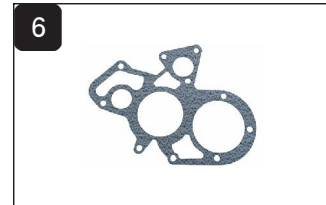
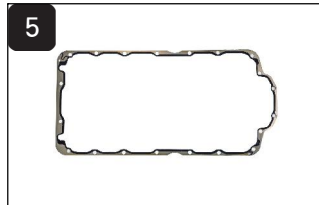
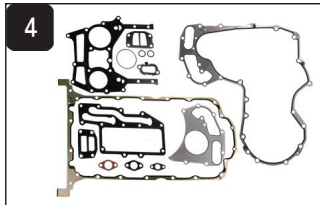
1004.42	AS builds	VPA4119 U5LT0317	VPA4619 3681A049	VPA4614 3681E042	VPC6123 U5LB1171	-	VPE2624 3687Y016
1006.60	YA builds	VPA4032 U5LT1179	VPA4523 3681C001	VPA4330 3681H208	VPC6032 U5LB0153	-	-
1006.60T	YB builds	VPA4032 U5LT1179	VPA4523 3681C001	VPA4330 3681H208	VPC6032 U5LB0153	-	-
1006.60T	YD builds	VPA4032 U5LT1179	VPA4523 3681C001	VPA4330 3681H208	VPC6032 U5LB0153	-	-
1006.60T	YE builds	VPA4032 U5LT1179	VPA4523 3681C001	VPA4330 3681H208	VPC6032 U5LB0153	-	-
1006.60T	YG builds	VPA4122 U5LT1300	-	VPA4330 3681H208	VPC6124 U5LB1301	-	VPE2624 3687Y016
1006.60T	YH builds	VPA4122 U5LT1300	-	VPA4330 3681H208	VPC6124 U5LB1301	-	VPE2624 3687Y016
1006.60T	YJ builds	VPA4122 U5LT1300	-	VPA4330 3681H208	VPC6124 U5LB1301	-	VPE2624 3687Y016
1006.60T	YK builds	VPA4122 U5LT1300	-	VPA4330 3681H208	VPC6124 U5LB1301	-	VPE2624 3687Y016
1103A-33	DJ builds	VPA4120 U5LT0355	VPA4620 3681A057	VPA4621 3681E049	VPC6118 U5LB0379	VPC5448 3681K038	VPE2625 3682A011
1103A-33T	DK builds	VPA4120 U5LT0355	VPA4620 3681A057	VPA4621 3681E049	VPC6118 U5LB0379	VPC5448 3681K038	VPE2625 3682A011
1103B-33	DF builds	VPA4120 U5LT0355	VPA4620 3681A057	VPA4621 3681E049	VPC6118 U5LB0379	VPC5448 3681K038	VPE2625 3682A011
1103B-33T	DG builds	VPA4120 U5LT0355	VPA4620 3681A057	VPA4621 3681E049	VPC6118 U5LB0379	VPC5448 3681K038	VPE2625 3682A011
1103C-33	DC builds	VPA4120 U5LT0355	VPA4620 3681A057	VPA4621 3681E049	VPC6118 U5LB0379	VPC5448 3681K038	VPE2625 3682A011
1103C-33T	DD builds	VPA4120 U5LT0355	VPA4620 3681A057	VPA4621 3681E049	VPC6118 U5LB0379	VPC5448 3681K038	VPE2625 3682A011
1103C-33TA	DE builds	VPA4120 U5LT0355	VPA4620 3681A057	VPA4621 3681E049	VPC6118 U5LB0379	VPC5448 3681K038	VPE2625 3682A011
1103D-33	XK builds	VPA4120 U5LT0355	VPA4620 3681A057	VPA4621 3681E049	VPC6118 U5LB0379	VPC5448 3681K038	VPE2625 3682A011
1103D-33T	XL builds	VPA4120 U5LT0355	VPA4620 3681A057	VPA4621 3681E049	VPC6118 U5LB0379	VPC5448 3681K038	VPE2625 3682A011
1103D-33TA	XM builds	VPA4120 U5LT0355	VPA4620 3681A057	VPA4621 3681E049	VPC6118 U5LB0379	VPC5448 3681K038	VPE2625 3682A011
1104A-44	RR builds	VPA4121 U5LT0357	VPA4593 3681A055	VPA4617 3681E051	VPC6119 (a) U5LB0381 VPC6120 (b) U5LB0382 VPC6121 (c) U5LB0383 VPC6122 (d) U5LB0384	VPC5447 3681K037	VPE2625 3682A011
1104A-44T	RS builds	VPA4121 U5LT0357	VPA4593 3681A055	VPA4617 3681E051	VPC6119 (a) U5LB0381 VPC6120 (b) U5LB0382	VPC5447 3681K037	VPE2625 3682A011
1104A-44TA	RT builds	VPA4121 U5LT0357	VPA4593 3681A055	VPA4617 3681E051	VPC6120 (b) U5LB0382	VPC5447 3681K037	VPE2625 3682A011
1104C-E44	RF builds	VPA4121 U5LT0357	VPA4593 3681A055	VPA4617 3681E051	VPC6119 (a) U5LB0381 VPC6120 (b) U5LB0382 VPC6121 (c) U5LB0383 VPC6122 (d) U5LB0384	VPC5447 3681K037	VPE2625 3682A011
1104C-E44T	RH builds	VPA4121 U5LT0357	VPA4593 3681A055	VPA4617 3681E051	VPC6119 (a) U5LB0381 VPC6120 (b) U5LB0382 VPC6121 (c) U5LB0383	VPC5447 3681K037	VPE2625 3682A011
1104C-E44TA	RK builds	VPA4121 U5LT0357	VPA4593 3681A055	VPA4617 3681E051	VPC6120 (b) U5LB0382 VPC6122 (d) U5LB0384	VPC5447 3681K037	VPE2625 3682A011



**Gaskets
Joints
Juntas**



<ul style="list-style-type: none"> 1 Top gasket set 2 Rocker cover gasket 3 Cylinder head gasket 4 Bottom gasket set 5 Sump gasket 6 Water pump gasket 	<ul style="list-style-type: none"> 1 Pochette joints supérieurs 2 Joint de cache-culbuteurs 3 Joint de culasse 4 Pochette joints inférieurs 5 Carter inférieur 6 Joint de pompe à eau 	<ul style="list-style-type: none"> 1 Juego juntas superior 2 Junta tapa válvulas 3 Junta culata 4 Juego juntas inferiores 5 Colector de lubricante 6 Junta bomba agua
See remarks on page 41	Voir commentaires page 41	Consultar comentarios 41



1104C-44	RE builds	VPA4121 U5LT0357	VPA4593 3681A055	VPA4617 3681E051	VPC6119 (a) U5LB0381 VPC6120 (b) U5LB0382 VPC6121 (c) U5LB0383 VPC6122 (d) U5LB0384	VPC5447 3681K037	VPE2625 3682A011
1104C-44T	RG builds	VPA4121 U5LT0357	VPA4593 3681A055	VPA4617 3681E051	VPC6119 (a) U5LB0381 VPC6120 (b) U5LB0382 VPC6121 (c) U5LB0383 VPC6122 (d) U5LB0384	VPC5447 3681K037	VPE2625 3682A011
1104C-44TA	RJ builds	VPA4121 U5LT0357	VPA4593 3681A055	VPA4617 3681E051	VPC6122 (d) U5LB0384	-	VPE2625 3682A011
1104D-44	NK builds	VPA4121 U5LT0357	VPA4593 3681A055	VPA4617 3681E051	VPC6119 (a) U5LB0381 VPC6120 (b) U5LB0382 VPC6121 (c) U5LB0383	VPC5447 3681K037	VPE2625 3682A011
1104D-44T	NL builds	VPA4121 U5LT0357	VPA4593 3681A055	VPA4617 3681E051	VPC6119 (a) U5LB0381 VPC6120 (b) U5LB0382 VPC6121 (c) U5LB0383 VPC6122 (d) U5LB0384	VPC5447 3681K037	VPE2625 3682A011



1104D-44TA NM builds	VPA4121 U5LT0357	VPA4593 3681A055	VPA4617 3681E051	VPC6119 (a) U5LB0381 VPC6120 (b) U5LB0382 VPC6121 (c) U5LB0383 VPC6122 (d) U5LB0384	VPC5447 3681K037	VPE2625 3682A011
1106-E60TA VK builds	VPA4118 U5LT0349	VPA4594 3681A054	VPA4618 3681E043	VPC6117 U5LB0374	-	VPE2624 3687Y016

Remarks

- (a) With bolt on flywheel housing and engine mounted hydraulic pump
- (b) With bolt on flywheel housing
- (c) With cast flywheel housing
- (d) With cast flywheel housing and engine mounted hydraulic pump

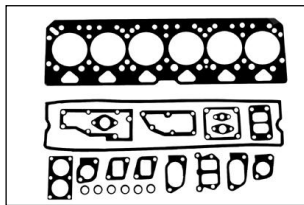
Remarques

- (a) Avec boulon sur le carter du volant moteur et pompe hydraulique montée sur le moteur
- (b) Avec boulon sur le carter du volant moteur
- (c) Avec carter volant moteur en fonte
- (d) Avec carter volant moteur en fonte et pompe hydraulique montée sur le moteur

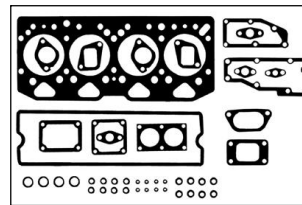
Comentarios

- (a) Con perno en la carcasa del embrague y bomba hidráulica incorporada
- (b) Con perno en la carcasa del embrague
- (c) Con carcasa de embrague fundida
- (d) Con carcasa de embrague fundida y bomba hidráulica incorporada

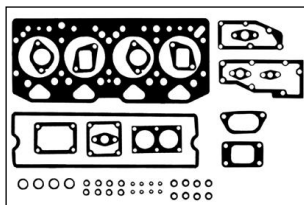
Digital images / Images digitales / Gráficos digitales



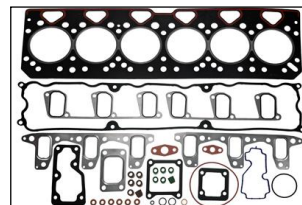
1 VPA4032
U5LT1179
U5LT0051, U5LT0151, U5LT0179



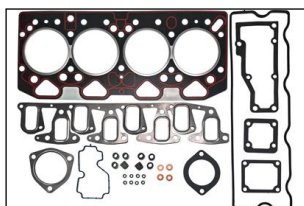
1 VPA4063
U5LT1178
U5LT0049, U5LT0056, U5LT0078,
U5LT0149, U5LT0178



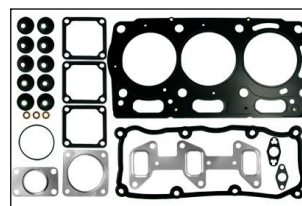
1 VPA4078
U5LT1202
U5LT0202, U5LT0330



1 VPA4118
U5LT0349



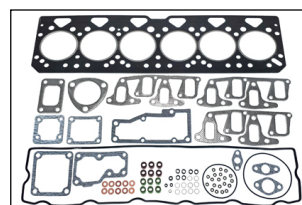
1 VPA4119
U5LT0317



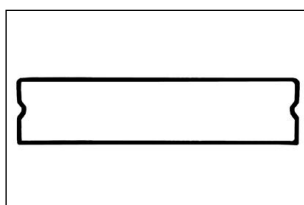
1 VPA4120
U5LT0355



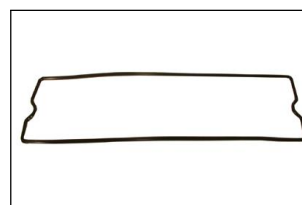
1 VPA4121
U5LT0357
U5LT0350



1 VPA4122
U5LT1300



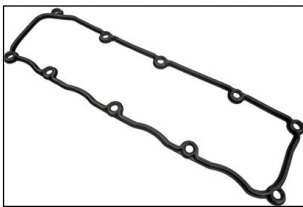
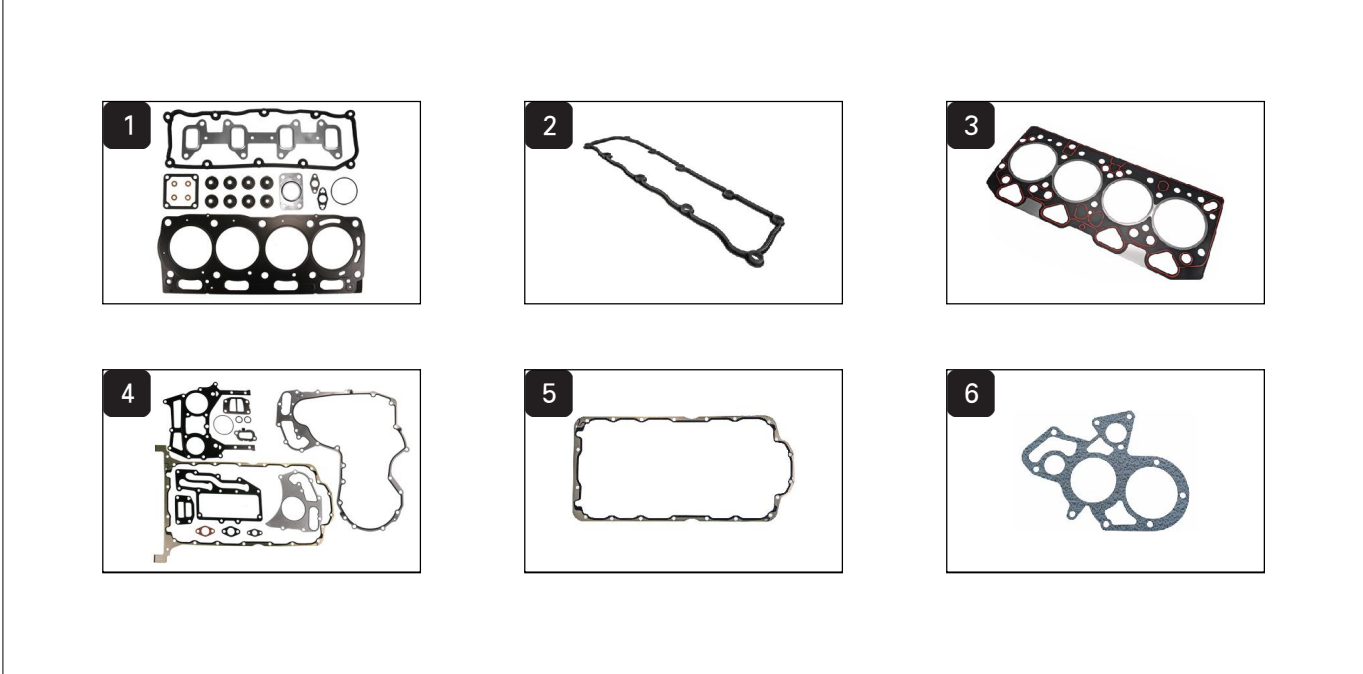
2 VPA4523
3681C001



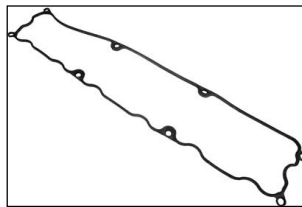
2 VPA4570
3681A032
3681A028



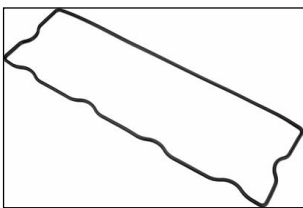
<ul style="list-style-type: none"> 1 Top gasket set 2 Rocker cover gasket 3 Cylinder head gasket 4 Bottom gasket set 5 Sump gasket 6 Water pump gasket 	<ul style="list-style-type: none"> 1 Pochette joints supérieurs 2 Joint de cache-culbuteurs 3 Joint de culasse 4 Pochette joints inférieurs 5 Carter inférieur 6 Joint de pompe à eau 	<ul style="list-style-type: none"> 1 Juego juntas superior 2 Junta tapa válvulas 3 Junta culata 4 Juego juntas inferiores 5 Colector de lubricante 6 Junta bomba agua
See remarks on page 41	Voir commentaires page 41	Consultar comentarios 41



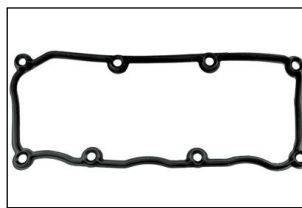
2 VPA4593
3681A055



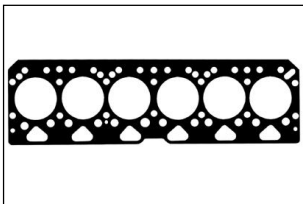
2 VPA4594
3681A054



2 VPA4619
3681A049



2 VPA4620
3681A057



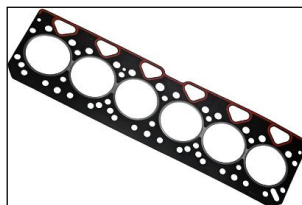
3 VPA4330
3681H208
3681H203, 3681H205



3 VPA4614
3681E042



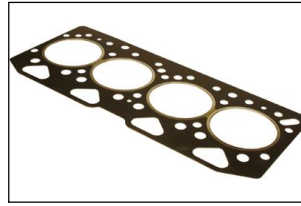
3 VPA4617
3681E051
3681E046, U5LT0530



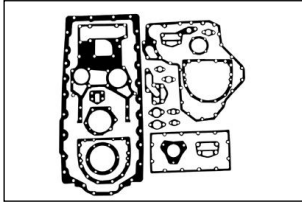
3 VPA4618
3681E043



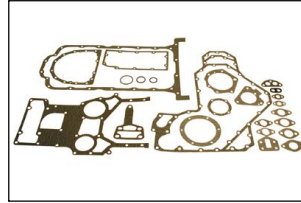
3 VPA4621
3681E049



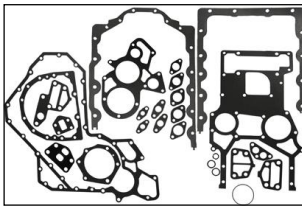
3 VPA5502
3681E037
3681E025, 3681E033



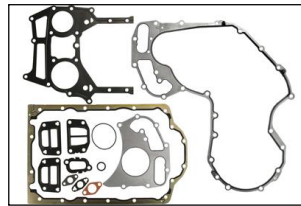
4 VPC6032
U5LB0153
U5LB0036, U5LB0053



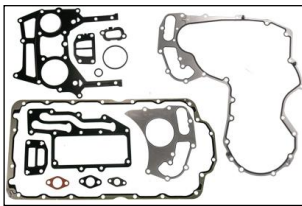
4 VPC6087
U5LB0151
U5LB0041, U5LB0051



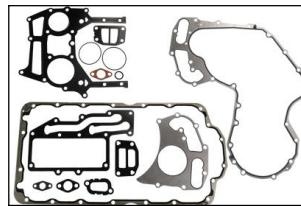
4 VPC6117
U5LB0374



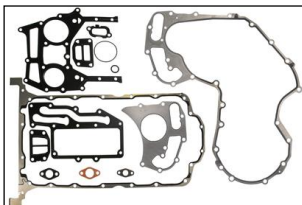
4 VPC6118
U5LB0379



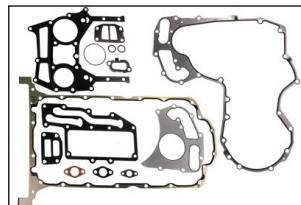
4 VPC6119
U5LB0381



4 VPC6120
U5LB0382



4 VPC6121
U5LB0383



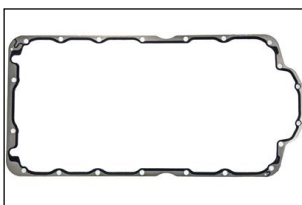
4 VPC6122
U5LB0384



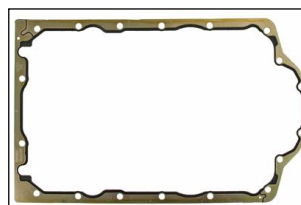
4 VPC6123
U5LB1171



4 VPC6124
U5LB1301



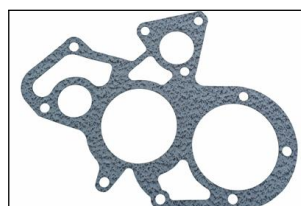
5 VPC5447
3681K037



5 VPC5448
3681K038



5 VPC5449
U5MK0600



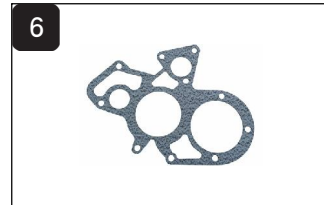
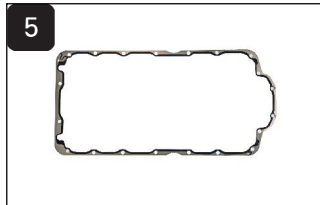
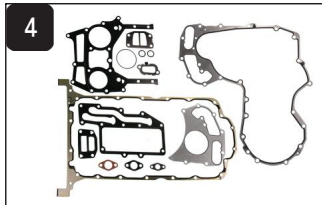
6 VPE2624
3687Y016



Gaskets
Joints
Juntas



<ul style="list-style-type: none"> 1 Top gasket set 2 Rocker cover gasket 3 Cylinder head gasket 4 Bottom gasket set 5 Sump 6 Water pump gasket 	<ul style="list-style-type: none"> 1 Pochette joints supérieurs 2 Joint de cache-culbuteurs 3 Joint de culasse 4 Pochette joints inférieurs 5 Carter inférieur 6 Joint de pompe à eau 	<ul style="list-style-type: none"> 1 Juego juntas superior 2 Junta tapa válvulas 3 Junta culata 4 Juego juntas inferiores 5 Colector de lubricante 6 Junta bomba agua
See remarks on page 41	Voir commentaires page 41	Consultar comentarios 41



6 VPE2625
3682A011



**Timing
Distribution
Distribución**



- 1 Camshaft bush
- 2 Cam follower
- 3 Push rod

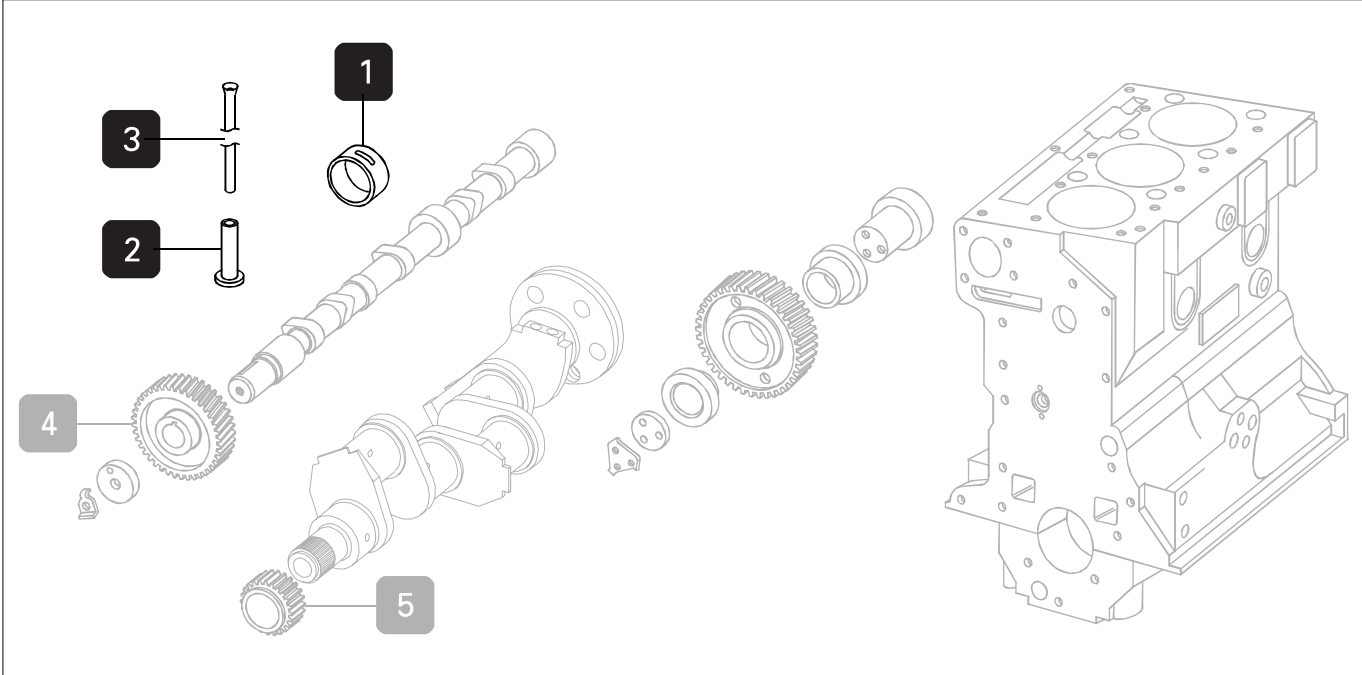
- 1 Bague d'arbre à cames
- 2 Contre came
- 3 Tige de poussée

- 1 Casquillo de árbol de levas
- 2 Taquet
- 3 Varilla balancín

See remarks on page 47

Voir commentaires page 47

Consultar comentarios 47



1004.40	AA builds	VPA2629 31134165	VPA2603	VPA2605 31434307
1004.40	AJ builds	VPA2629 31134165	VPA2603	VPA2605 31434307
1004.40	AK builds	VPA2629 31134165	VPA2603	VPA2605 31434307
1004.40	AM builds	VPA2629 31134165	VPA2603	VPA2605 31434307
1004.40	AP builds	VPA2629 31134165	VPA2603	VPA2605 31434307
1004.40	AQ builds	VPA2629 31134165	VPA2603	VPA2605 31434307
1004.40T	AB builds	VPA2629 31134165	VPA2603	VPA2605 31434307
1004.40T	AJ builds	VPA2629 31134165	VPA2603	VPA2605 31434307
1004.40T	AK builds	VPA2629 31134165	VPA2603	VPA2605 31434307
1004.40T	AM builds	VPA2629 31134165	VPA2603	VPA2605 31434307
1004.40T	AP builds	VPA2629 31134165	VPA2603	VPA2605 31434307
1004.40T	AQ builds	VPA2629 31134165	VPA2603	VPA2605 31434307
1004.40T	YD builds	VPA2629 31134165	VPA2603	VPA2605 31434307
1004.40T	YE builds	VPA2629 31134165	VPA2603	VPA2605 31434307
1004.42	AR builds	VPA2629 31134165	VPA2603	VPA2605 31434307
1004.42	AS builds	VPA2629 31134165	VPA2603	VPA2605 31434307
1006.60	YA builds	VPA2629 31134165	VPA2603	VPA2605 31434307



1



2



3



1006.60T	YB builds	VPA2629 31134165	VPA2603	VPA2605 31434307
1006.60T	YD builds	VPA2629 31134165	VPA2603	VPA2605 31434307
1006.60T	YE builds	VPA2629 31134165	VPA2603	VPA2605 31434307
1006.60T	YG builds	VPA2629 31134165	VPA2603	VPA2605 31434307
1006.60T	YH builds	VPA2629 31134165	VPA2603	VPA2605 31434307
1006.60T	YJ builds	VPA2629 31134165	VPA2603	VPA2605 31434307
1006.60T	YK builds	VPA2629 31134165	VPA2603	VPA2605 31434307
1103A-33	DJ builds	-	VPA2603	VPA2605 31434307
1103A-33T	DK builds	-	VPA2603	VPA2605 31434307
1103B-33	DF builds	-	VPA2603	VPA2605 31434307
1103B-33T	DG builds	-	VPA2603	VPA2605 31434307
1103C-33	DC builds	-	VPA2603	VPA2605 31434307
1103C-33T	DD builds	-	VPA2603	VPA2605 31434307
1103C-33TA	DE builds	-	VPA2603	VPA2605 31434307
1103D-33	XK builds	-	VPA2603	VPA2605 31434307
1104A-44	RR builds	-	VPA2603	VPA2605 31434307
1104A-44T	RS builds	-	VPA2603	VPA2605 31434307
1104A-44TA	RT builds	-	VPA2603	VPA2605 31434307
1104C-E44	RF builds	-	VPA2603	VPA2605 31434307
1104C-E44T	RH builds	-	VPA2603	VPA2605 31434307
1104C-E44TA	RK builds	-	VPA2603	VPA2605 31434307
1104C-44	RE builds	-	VPA2603	VPA2605 31434307
1104C-44T	RG builds	-	VPA2603	VPA2605 31434307
1104C-44TA	RJ builds	-	VPA2603	VPA2605 31434307
1106-E60TA	VK builds	VPA2629 31134165	VPA2603	VPA2605 31434307

Digital images / Images digitales / Gráficos digitales



1 VPA2629
31134165
31134132, 31134164



2 VPA2603
3142U031, 31434161, 31434162, 31434163



Timing Distribution Distribución



- 1 Camshaft bush
- 2 Cam follower
- 3 Push rod

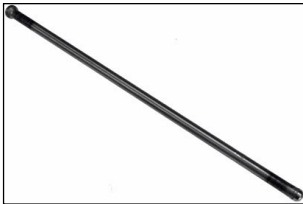
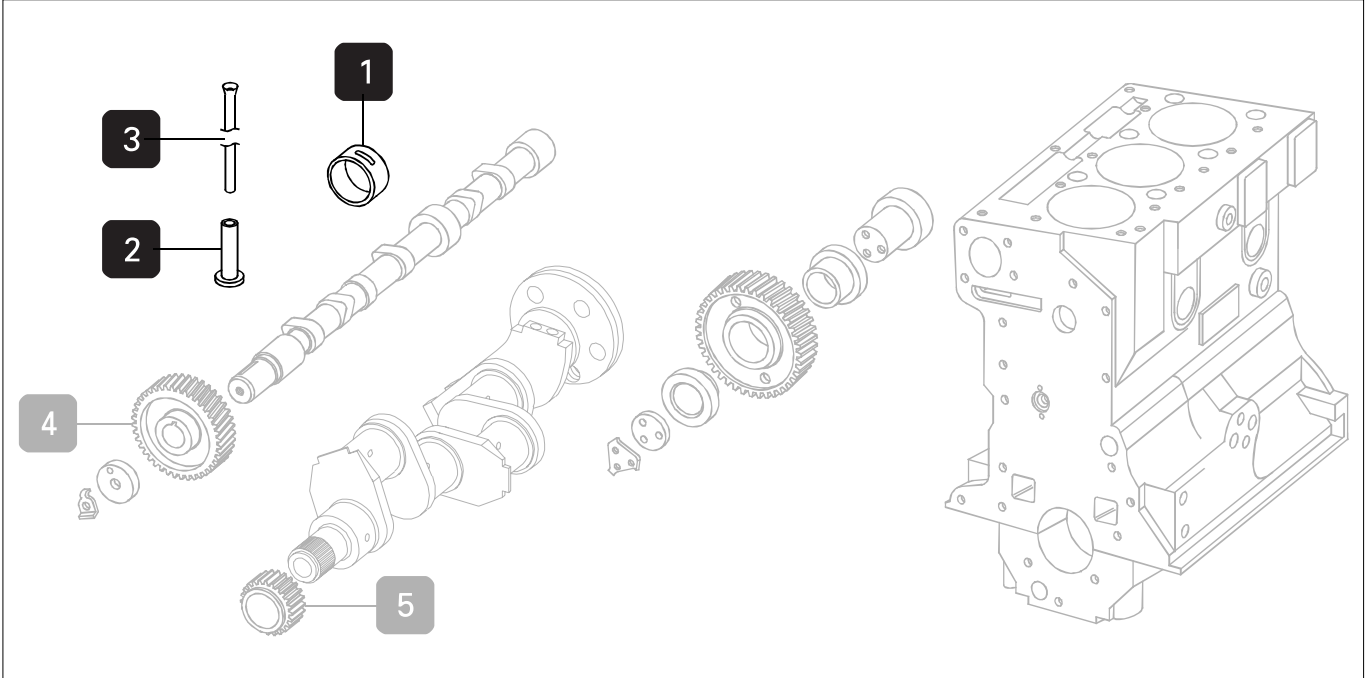
- 1 Bague d'arbre à cames
- 2 Contre came
- 3 Tige de poussée

- 1 Casquillo de árbol de levas
- 2 Taquet
- 3 Varilla balancín

See remarks on page 47

Voir commentaires page 47

Consultar comentarios 47



3 VPA2605
31434307



- 4 Camshaft gear
- 5 Crankshaft gear

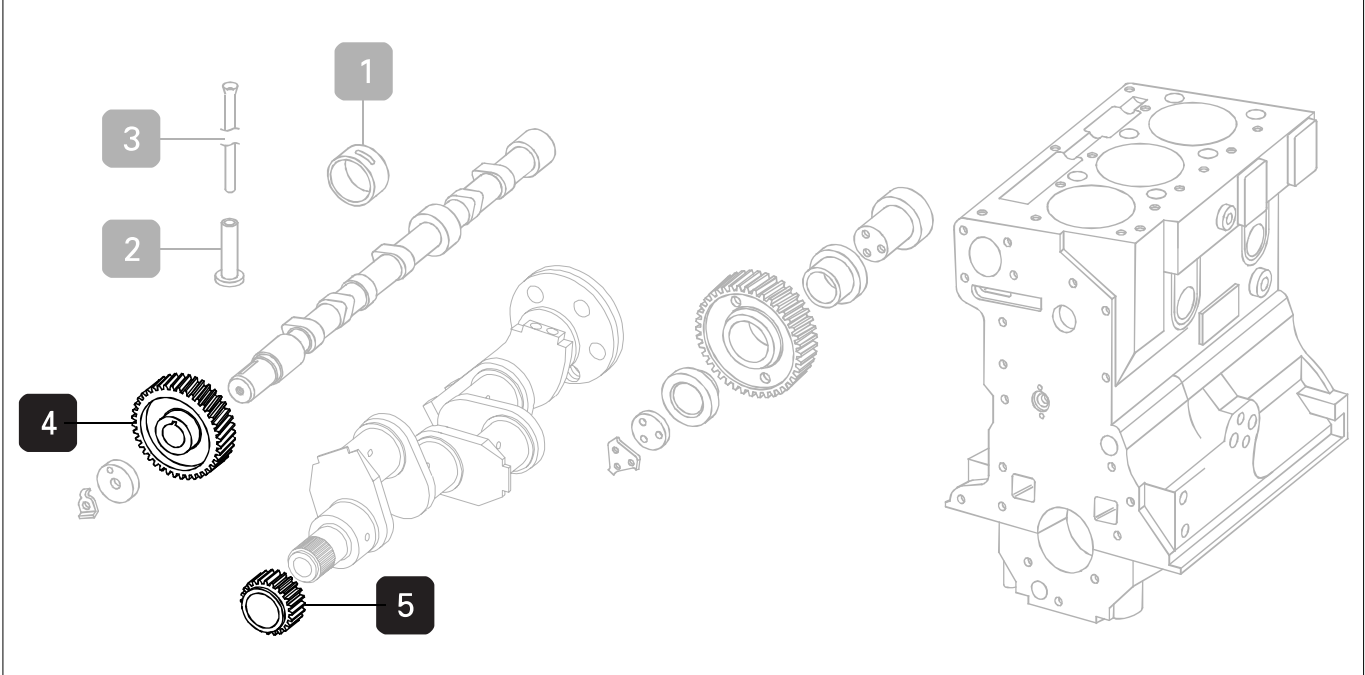
- 4 Pignon d'arbre à cames
- 5 Engrenage de vilebrequin

- 4 Engrane árbol de levas
- 5 Engrane cigüeñal

See remarks on page 50

Voir commentaires page 50

Consultar comentarios 50



	1004.40	AA builds	VPA5029 31171353	-
	1004.42	AR builds	-	VPA5034 31171681
	1004.42	AS builds	-	VPA5034 31171681

Digital images / Images digitales / Gráficos digitales



4 VPA5029
31171353



5 VPA5034
31171681



1 Oil pump

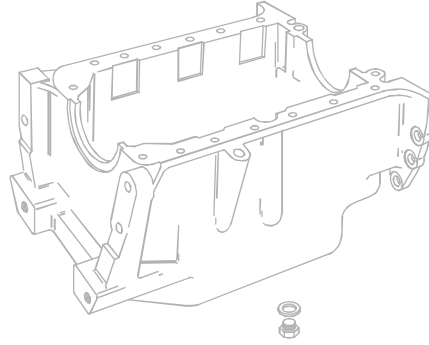
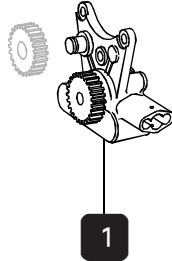
1 Pompe à huile

1 Bomba aceite

See remarks on page 53

Voir commentaires page 53

Consultar comentarios 53



1

	1004.40	AA builds	VPD1085 4132F051
	1004.40	AJ builds	VPD1023 (a) 4132F041 VPD1083 (b) 4132F056
	1004.40	AK builds	VPD1023 (a) 4132F041 VPD1083 (b) 4132F056
	1004.40	AM builds	VPD1023 (a) 4132F041 VPD1083 (b) 4132F056
	1004.40	AP builds	VPD1023 (a) 4132F041 VPD1083 (b) 4132F056
	1004.40	AQ builds	VPD1023 (a) 4132F041 VPD1083 (b) 4132F056
	1004.40T	AB builds	VPD1083 4132F056
	1004.40T	AJ builds	VPD1023 (a) 4132F041 VPD1083 (b) 4132F056
	1004.40T	AK builds	VPD1023 (a) 4132F041 VPD1083 (b) 4132F056
	1004.40T	AM builds	VPD1023 (a) 4132F041 VPD1083 (b) 4132F056



1



1004.40T	AP builds	VPD1023 (a) 4132F041 VPD1083 (b) 4132F056
1004.40T	AQ builds	VPD1023 (a) 4132F041 VPD1083 (b) 4132F056
1004.40T	YD builds	VPD1083 4132F056
1004.40T	YE builds	VPD1083 4132F056
1004.42	AR builds	VPD1085 4132F051
1004.42	AS builds	VPD1085 4132F051
1006.60	YA builds	VPD1057 4132F043
1006.60T	YB builds	VPD1058 4132F057
1006.60T	YD builds	VPD1058 4132F057
1006.60T	YE builds	VPD1058 4132F057
1006.60T	YG builds	VPD1058 4132F057
1006.60T	YH builds	VPD1058 4132F057
1006.60T	YJ builds	VPD1058 4132F057
1006.60T	YK builds	VPD1058 4132F057

Remarks

- (a) For engines with balancer units
- (b) For engines without balancer units

Remarques

- (a) Pour moteur avec équilibrer
- (b) Pour moteur sans équilibrer

Comentarios

- (a) Para motores con balanceador
- (b) Para motores sin balanceador

Digital images / Images digitales / Gráficos digitales



1 VPD1023
4132F041
4132F014, 4132F021



1 VPD1057
4132F043



1 VPD1058
4132F057
4132F044



1 VPD1083
4132F056
4132F024, 4132F026, 4132F034, 4132F038,
4132F045, 4132F052



1 VPD1085
4132F051
4132F025, 4132F027, 4132F035, 4132F039, 4132F046



Cooling system
Système de refroidissement
Sistema de refrigeración



- 1 Thermostat
- 2 Water pump
- 3 Water pump gasket

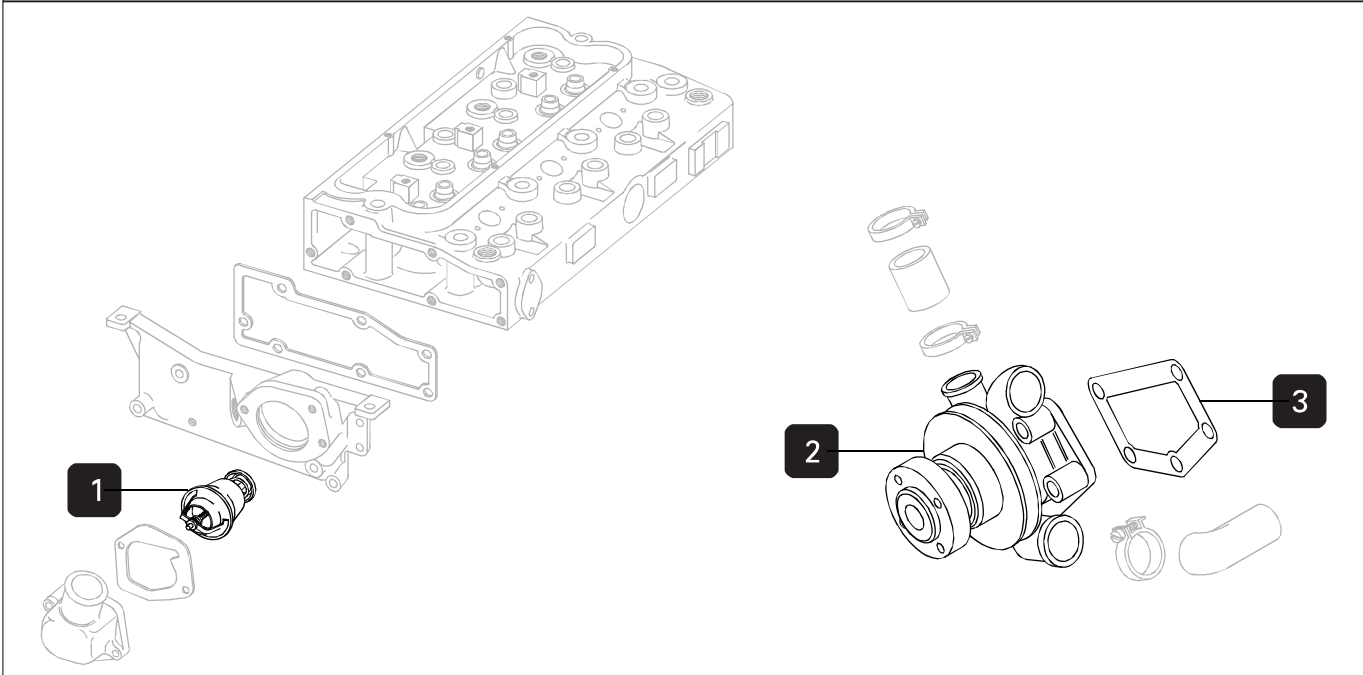
- 1 Thermostat
- 2 Pompe à eau
- 3 Joint de pompe à eau

- 1 Termostato
- 2 Bomba agua
- 3 Junta bomba agua

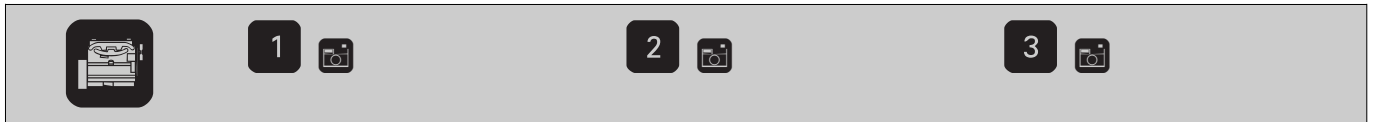
See remarks on page 55

Voir commentaires page 55

Consultar comentarios 55



1004.40	AA builds	VPE3405 2485613	VPE1094 U5MW0156	-
1004.40	AJ builds	VPE3435 2485C036	VPE1169 U5MW0192	VPE2624 3687Y016
1004.40	AK builds	VPE3435 2485C036	VPE1169 U5MW0192	VPE2624 3687Y016
1004.40	AM builds	VPE3435 2485C036	VPE1169 U5MW0192	VPE2624 3687Y016
1004.40	AP builds	VPE3435 2485C036	VPE1169 U5MW0192	VPE2624 3687Y016
1004.40	AQ builds	VPE3435 2485C036	VPE1169 U5MW0192	VPE2624 3687Y016
1004.40T	AB builds	VPE3405 2485613	VPE1094 U5MW0156	-
1004.40T	AJ builds	VPE3435 2485C036	VPE1169 U5MW0192	VPE2624 3687Y016
1004.40T	AK builds	VPE3435 2485C036	VPE1169 U5MW0192	VPE2624 3687Y016
1004.40T	AM builds	VPE3435 2485C036	VPE1169 U5MW0192	VPE2624 3687Y016
1004.40T	AP builds	VPE3435 2485C036	VPE1169 U5MW0192	VPE2624 3687Y016
1004.40T	AQ builds	VPE3435 2485C036	VPE1169 U5MW0192	VPE2624 3687Y016
1004.40T	YD builds	VPE3405 2485613	VPE1094 U5MW0156	-
1004.40T	YE builds	VPE3405 2485613	VPE1094 U5MW0156	-
1004.42	AR builds	VPE3435 2485C036	VPE1169 U5MW0192	VPE2624 3687Y016
1004.42	AS builds	VPE3435 2485C036	VPE1169 U5MW0192	VPE2624 3687Y016
1006.60	YA builds	VPE3405 2485613	VPE1017 U5MW0160	-



1006.60T	YB builds	VPE3405 2485613	VPE1017 U5MW0160	-
1006.60T	YD builds	VPE3405 2485613	VPE1017 U5MW0160	-
1006.60T	YE builds	VPE3405 2485613	VPE1017 U5MW0160	-
1006.60T	YG builds	VPE3435 2485C036	VPE1169 U5MW0192	VPE2624 3687Y016
1006.60T	YH builds	VPE3435 2485C036	VPE1169 U5MW0192	VPE2624 3687Y016
1006.60T	YJ builds	VPE3435 2485C036	VPE1169 U5MW0192	VPE2624 3687Y016
1006.60T	YK builds	VPE3435 2485C036	VPE1169 U5MW0192	VPE2624 3687Y016
1103A-33	DJ builds	-	VPE1149 U5MW0208	VPE2625 3682A011
1103A-33T	DK builds	-	VPE1149 U5MW0208	VPE2625 3682A011
1103B-33	DF builds	-	VPE1149 U5MW0208	VPE2625 3682A011
1103B-33T	DG builds	-	VPE1149 U5MW0208	VPE2625 3682A011
1103C-33	DC builds	-	VPE1149 U5MW0208	VPE2625 3682A011
1103C-33T	DD builds	-	VPE1149 U5MW0208	VPE2625 3682A011
1103C-33TA	DE builds	-	VPE1149 U5MW0208	VPE2625 3682A011
1103D-33	XK builds	-	VPE1149 U5MW0208	VPE2625 3682A011
1103D-33T	XL builds	-	VPE1149 U5MW0208	VPE2625 3682A011
1103D-33TA	XM builds	-	VPE1149 U5MW0208	VPE2625 3682A011
1104A-44	RR builds	-	VPE1148 U5MW0206	VPE2625 3682A011
1104A-44T	RS builds	-	VPE1148 U5MW0206	VPE2625 3682A011
1104A-44TA	RT builds	-	VPE1148 U5MW0206	VPE2625 3682A011
1104C-E44	RF builds	-	VPE1148 U5MW0206	VPE2625 3682A011
1104C-E44T	RH builds	-	VPE1148 U5MW0206	VPE2625 3682A011
1104C-E44TA	RK builds	-	VPE1148 U5MW0206	VPE2625 3682A011
1104C-44	RE builds	-	VPE1148 U5MW0206	VPE2625 3682A011
1104C-44T	RG builds	-	VPE1148 U5MW0206	VPE2625 3682A011
1104C-44TA	RJ builds	-	VPE1148 U5MW0206	VPE2625 3682A011
1104D-44	NK builds	-	VPE1149 U5MW0208	VPE2625 3682A011
1104D-44T	NL builds	-	VPE1149 U5MW0208	VPE2625 3682A011
1104D-44TA	NM builds	-	VPE1149 U5MW0208	VPE2625 3682A011
1106-E60TA	VK builds	-	VPE1147 U5MW0196	VPE2624 3687Y016



Cooling system
Système de refroidissement
Sistema de refrigeración



- 1 Thermostat
- 2 Water pump
- 3 Water pump gasket

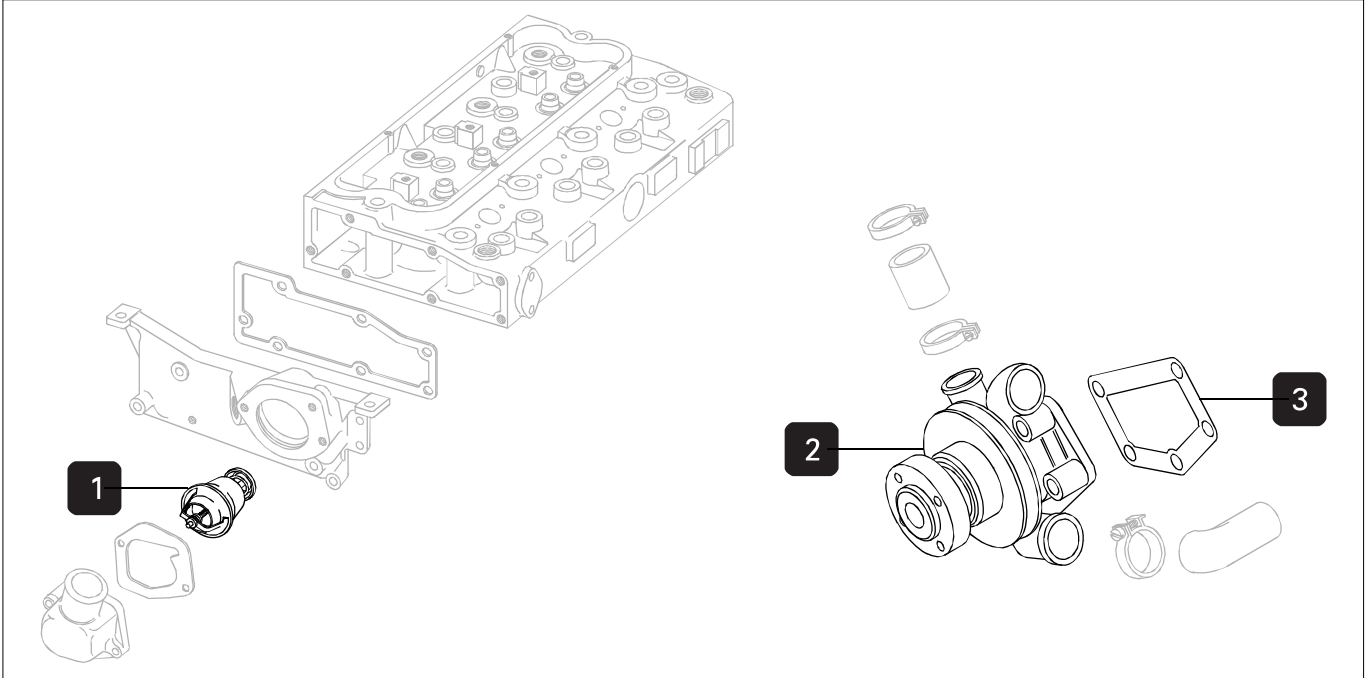
- 1 Thermostat
- 2 Pompe à eau
- 3 Joint de pompe à eau

- 1 Termostato
- 2 Bomba agua
- 3 Junta bomba agua

See remarks on page 55

Voir commentaires page 55

Consultar comentarios 55



Digital images / Images digitales / Gráficos digitales



- 1 **VPE3405**
 2485613
 2485605
 - Temperature 82C
 - Diameter 54.0mm
 - Height 53.5mm



- 1 **VPE3435**
 2485C036
 2485C025
 - Temperature 82C
 - Diameter 67.0mm
 - Height 54.5mm



- 2 **VPE1017**
 U5MW0160
 4131E011, 4131E101, 4131E103, 4131E105,
 U5MW0092, U5MW0159



- 2 **VPE1094**
 U5MW0156
 4131E012, U5MW0144, U5MW0157



- 2 **VPE1147**
 U5MW0196



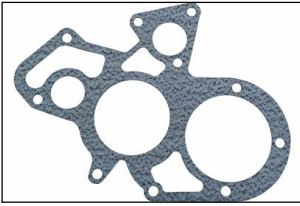
- 2 **VPE1148**
 U5MW0206
 4131A062, 4131A068, U5MW0194



- 2 **VPE1149**
 U5MW0208
 4131A113, U5MW0197, U5MW0201,
 U5MW0207



- 2 **VPE1169**
 U5MW0192
 U5MW0154, U5MW0164, U5MW0178,
 U5MW0189



3 VPE2624
 3687Y016



3 VPE2625
 3682A011

	English	Français	Español
Temperature		Température	Temperatura
Diameter		Diamètre	Diámetro
Height		Hauteur	Altura



Fuel system
Système de combustible
Sistema de combustible



- 1 Fuel lift pump
- 2 Fuel lift pump repair kit

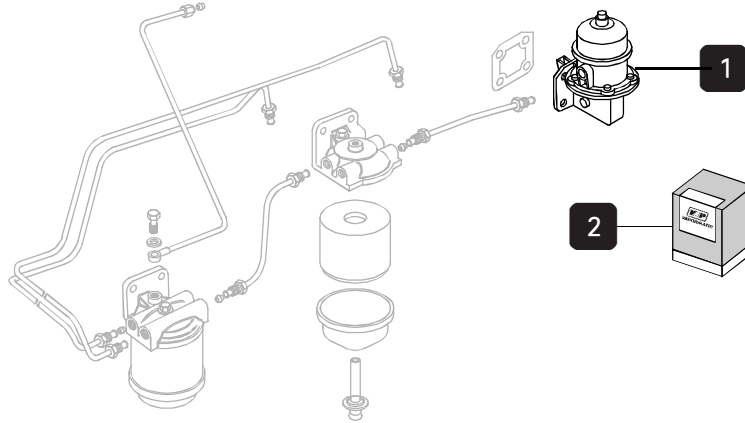
- 1 Pompe alimentation carburant
- 2 Kit réparation pompe alimentation carburant

- 1 Bomba alimentación
- 2 Juego reparación bomba alimentación

See remarks on page 59

Voir commentaires page 59

Consultar comentarios 59



1

2

1004.40	AA builds	VPD3045 ULPK0034	VPD3201 ULPR0005
1004.40	AJ builds	VPD3045 ULPK0034	VPD3201 ULPR0005
1004.40	AK builds	VPD3045 ULPK0034	VPD3201 ULPR0005
1004.40	AM builds	VPD3045 ULPK0034	VPD3201 ULPR0005
1004.40	AP builds	VPD3045 ULPK0034	VPD3201 ULPR0005
1004.40	AQ builds	VPD3045 ULPK0034	VPD3201 ULPR0005
1004.40T	AB builds	VPD3045 ULPK0034	VPD3201 ULPR0005
1004.40T	AJ builds	VPD3045 ULPK0034	VPD3201 ULPR0005
1004.40T	AK builds	VPD3045 ULPK0034	VPD3201 ULPR0005
1004.40T	AM builds	VPD3045 ULPK0034	VPD3201 ULPR0005
1004.40T	AP builds	VPD3045 ULPK0034	VPD3201 ULPR0005
1004.40T	AQ builds	VPD3045 ULPK0034	VPD3201 ULPR0005
1004.40T	YD builds	VPD3045 ULPK0034	VPD3201 ULPR0005
1004.40T	YE builds	VPD3045 ULPK0034	VPD3201 ULPR0005
1004.42	AR builds	VPD3045 ULPK0034	VPD3201 ULPR0005
1004.42	AS builds	VPD3045 ULPK0034	VPD3201 ULPR0005
1006.60	YA builds	VPD3022 ULPK0002	VPD3208 26410149



1



2



1006.60T	YB builds	VPD3022 ULPK0002	VPD3208 26410149
1006.60T	YD builds	VPD3022 ULPK0002	VPD3208 26410149
1006.60T	YE builds	VPD3022 ULPK0002	VPD3208 26410149
1006.60T	YG builds	VPD3022 ULPK0002	VPD3208 26410149
1006.60T	YH builds	VPD3022 ULPK0002	VPD3208 26410149
1006.60T	YJ builds	VPD3022 ULPK0002	VPD3208 26410149
1006.60T	YK builds	VPD3022 ULPK0002	VPD3208 26410149
1103A-33	DJ builds	VPD3078 ULPK0039	-
1103A-33T	DK builds	VPD3078 ULPK0039	-
1103B-33	DF builds	VPD3078 ULPK0039	-
1103B-33T	DG builds	VPD3078 ULPK0039	-
1103C-33	DC builds	VPD3078 ULPK0039	-
1103C-33T	DD builds	VPD3078 ULPK0039	-
1103C-33TA	DE builds	VPD3078 ULPK0039	-
1103D-33	XK builds	VPD3078 ULPK0039	-
1103D-33T	XL builds	VPD3078 ULPK0039	-
1103D-33TA	XM builds	VPD3078 ULPK0039	-
1104A-44	RR builds	VPD3064 ULPK0038	-
1104A-44T	RJ builds	VPD3064 ULPK0038	-
1104A-44T	RS builds	VPD3064 ULPK0038	-
1104A-44TA	RT builds	VPD3064 ULPK0038	-
1104C-E44	RF builds	VPD3064 ULPK0038	-
1104C-E44T	RH builds	VPD3064 ULPK0038	-
1104C-E44TA	RK builds	VPD3064 ULPK0038	-
1104C-44	RE builds	VPD3064 ULPK0038	-
1104C-44T	RG builds	VPD3064 ULPK0038	-
1104C-44TA	RJ builds	VPD3064 ULPK0038	-
1104D-44	NK builds	VPD3064 ULPK0038	-
1104D-44T	NL builds	VPD3064 ULPK0038	-
1104D-44TA	NM builds	VPD3064 ULPK0038	-
1106-E60TA	VK builds	VPD3065 ULPK0036	-



- 1 Fuel lift pump
- 2 Fuel lift pump repair kit

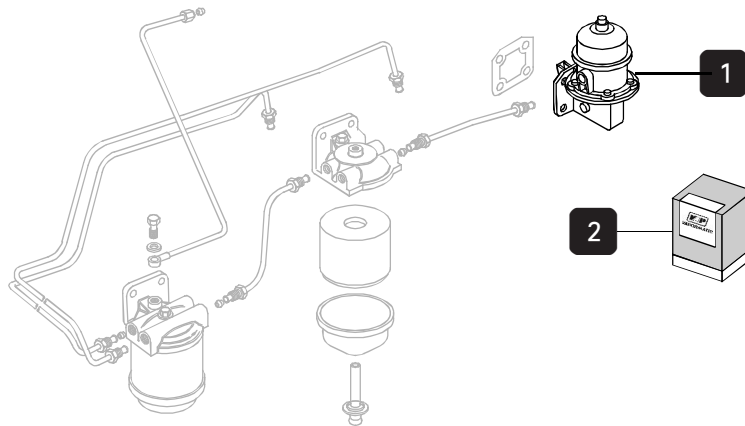
- 1 Pompe alimentation carburant
- 2 Kit réparation pompe alimentation carburant

- 1 Bomba alimentación
- 2 Juego reparación bomba alimentación

See remarks on page 59

Voir commentaires page 59

Consultar comentarios 59



Digital images / Images digitales / Gráficos digitales



1 VPD3022
 ULPK0002
 2641719, 2641720, 2641729



1 VPD3045
 ULPK0034
 2641A052, 2641A057, 2641A067,
 ULPK0005



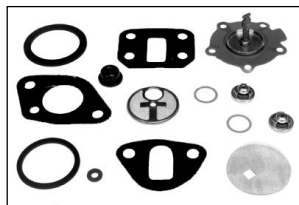
1 VPD3064
 ULPK0038
 4132A014, 4132A018



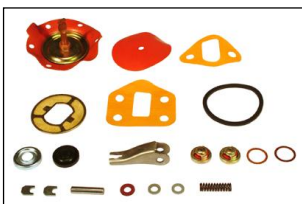
1 VPD3065
 ULPK0036
 ULPK0035



1 VPD3078
 ULPK0039
 4132A015, 4132A016



2 VPD3201
 ULPK0005
 26410009, 26410014, 26410015, 26410042,
 26410056, 26410087, 26410096



2 VPD3208
 26410149



Starting system
Système de démarrage
Sistema de arranque



1 Heater plug

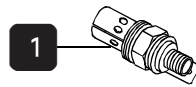
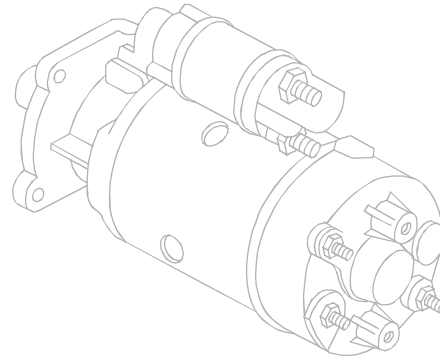
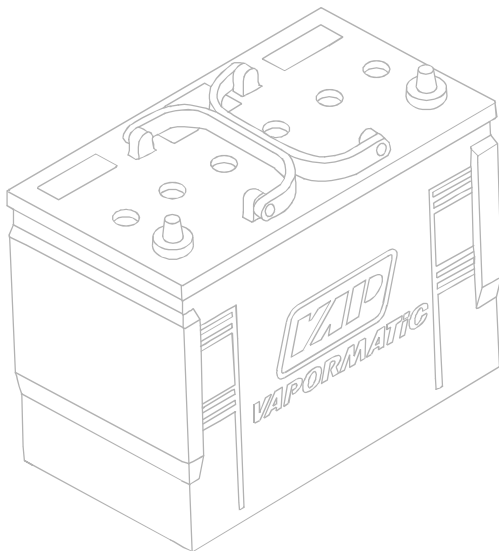
1 Bougie de préchauffage

1 Calentador arranque

See remarks on page 63

Voir commentaires page 63

Consultar comentarios 63



1

	1004.40	AA builds	VPF3703 2666108
	1004.40	AJ builds	VPF3703 2666108
	1004.40	AK builds	VPF3703 2666108
	1004.40	AM builds	VPF3703 2666108
	1004.40	AP builds	VPF3703 2666108
	1004.40	AQ builds	VPF3703 2666108
	1004.40T	AB builds	VPF3703 2666108
	1004.40T	AJ builds	VPF3703 2666108
	1004.40T	AK builds	VPF3703 2666108
	1004.40T	AM builds	VPF3703 2666108
	1004.40T	AP builds	VPF3703 2666108
	1004.40T	AQ builds	VPF3703 2666108
	1004.40T	YD builds	VPF3703 2666108
	1004.40T	YE builds	VPF3703 2666108
	1004.42	AR builds	VPF3703 2666108
	1004.42	AS builds	VPF3703 2666108
	1006.60	YA builds	VPF3703 2666108
	1006.60T	YB builds	VPF3703 2666108



1



1006.60T	YD builds	VPF3703 2666108
1006.60T	YE builds	VPF3703 2666108
1103C-33	DC builds	VPF3723 2666A016
1103C-33T	DG builds	VPF3723 2666A016
1104C-44	RE builds	VPF3723 2666A016
1104C-44T	RG builds	VPF3723 2666A016
1104D-44T	NL builds	VPF3723 2666A016
1104D-44TA	NM builds	VPF3723 2666A016
1106-E60TA	VK builds	VPF3724 2666A015

Digital images / Images digitales / Gráficos digitales



1 VPF3703
2666108



1 VPF3723
2666A016



1 VPF3724
2666A015



Engine model	Build prefix	Naturally aspirated
Type de moteur 1004.40	Code constructeur AA	Aspiration naturelle
Modelo de motor	Código de constructor	Aspiración natural

Cylinder bore Alésage du cylindre Calibre del cilindro
100mm

Piston stroke Course du piston Recorrido del pistón
127mm

Engine capacity Cylindrée Capacidad del motor
4 litre

Number of cylinders Nombre de cylindres Número de cilindros
4

Specifications / Spécifications / Especificaciones

A (mm)	B (mm)	C (mm)	D (mm)	E (mm)	F (mm)	G (mm)
0.2	0.45	1 1.85 2 1.85	0.14 - 0.36	-0.1 - +0.1	1 0.4 - 0.85 2 0.3 - 0.76 3 0.38 - 0.84	38.89 - 38.92

Torque specifications / Spécifications de couple / Especificación de torsión

		Nm	lbft	Degrees
Cylinder head bolts Vis de culasse Pernos culata	1st stage 1ère étape Primer paso	110	81	
	2nd stage 2ème étape Segundo paso			a 150 b 180 c 210
	Main bearing bolts Vis, chaise de palier-vilebrequin Pernos rodamiento principal	265	195	
Connecting rod nuts Ecrous de bielles Tuercas de biela	125	92		
Connecting rod bolts Vis de bielles Pernos de biela	155	114		
Flywheel bolts Boulons de roue Pernos volante	105	77		

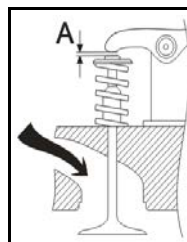
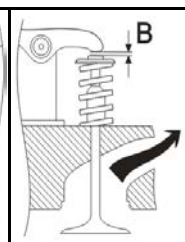
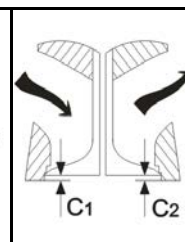
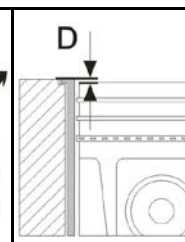
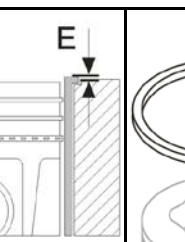
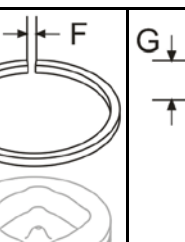
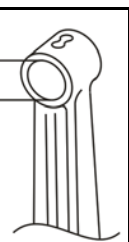
- a - Short bolts / Boulons courts / Pernos cortos
- b - Medium bolts / Boulons moyens / Pernos medios
- c - Long bolts / Boulons longs / Pernos largos



Engine model	Build prefix	Naturally aspirated
Type de moteur 1004.40	Code constructeur AJ, AM, AP	Aspiration naturelle
Modelo de motor	Código de constructor	Aspiración natural

Cylinder bore Alésage du cylindre Calibre del cilindro	Piston stroke Course du piston Recorrido del pistón	Engine capacity Cylindrée Capacidad del motor	Number of cylinders Nombre de cylindres Número de cilindros
100mm	127mm	4 litre	4

Specifications / Spécifications / Especificaciones

						
A (mm)	B (mm)	C (mm)	D (mm)	E (mm)	F (mm)	G (mm)
0.2	0.45	1 1.95 2 2.05	0.14 - 0.36	-0.1 - +0.1	1 0.4 - 0.85 2 0.3 - 0.76 3 0.38 - 0.84	38.89 - 38.92

Torque specifications / Spécifications de couple / Especificación de torsión

	Nm	lbft	Degrees
Cylinder head bolts Vis de culasse Pernos culata			
1st stage 1ère étape Primer paso	110	81	
2nd stage 2ème étape Segundo paso			a 150 b 180 c 210
Main bearing bolts Vis, chaise de palier-vilebrequin Pernos rodamiento principal	265	195	
Connecting rod nuts Ecrous de bielles Tuercas de biela	125	92	
Connecting rod bolts Vis de bielles Pernos de biela	155	114	
Flywheel bolts Boulons de roue Pernos volante	105	77	

- a - Short bolts / Boulons courts / Pernos cortos
- b - Medium bolts / Boulons moyens / Pernos medios
- c - Long bolts / Boulons longs / Pernos largos



Engine model	Build prefix	Turbo charged
Type de moteur 1004.40T	Code constructeur AB	Turbo
Modelo de motor	Código de constructor	Turbo

Cylinder bore Alésage du cylindre Calibre del cilindro
100mm

Piston stroke Course du piston Recorrido del pistón
127mm

Engine capacity Cylindrée Capacidad del motor
4 litre

Number of cylinders Nombre de cylindres Número de cilindros
4

Specifications / Spécifications / Especificaciones

A (mm)	B (mm)	C (mm)		D (mm)	E (mm)	F (mm)	G (mm)
0.2	0.45	1 1.85	2 1.85	0.14 - 0.36	-0.1 - +0.1	1 0.4 - 0.85 2 0.3 - 0.76 3 0.38 - 0.84	42.056 - 42.083

Torque specifications / Spécifications de couple / Especificación de torsión

		Nm	lbft	Degrees
Cylinder head bolts Vis de culasse Pernos culata	1st stage 1ère étape Primer paso	110	81	
	2nd stage 2ème étape Segundo paso			a 150 b 180 c 210
	Main bearing bolts Vis, chaise de palier-vilebrequin Pernos rodamiento principal	265	195	
Connecting rod nuts Ecrous de bielles Tuercas de biela	125	92		
Connecting rod bolts Vis de bielles Pernos de biela	155	114		
Flywheel bolts Boulons de roue Pernos volante	105	77		

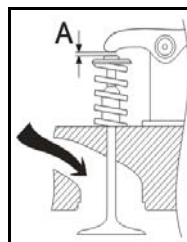
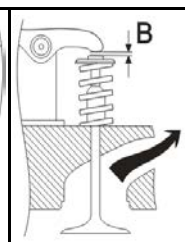
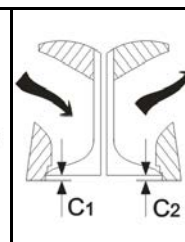
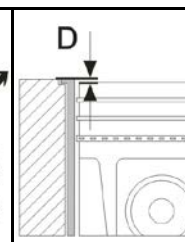
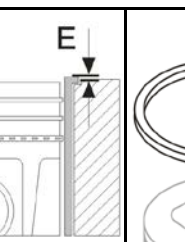
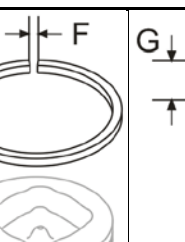
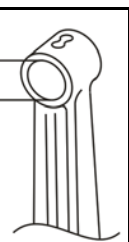
- a - Short bolts / Boulons courts / Pernos cortos
- b - Medium bolts / Boulons moyens / Pernos medios
- c - Long bolts / Boulons longs / Pernos largos



Engine model	Build prefix	Turbo charged
Type de moteur 1004.40T	Code constructeur AK, AQ,	Turbo
Modelo de motor	Código de constructor	Turbo

Cylinder bore Alésage du cylindre Calibre del cilindro	Piston stroke Course du piston Recorrido del pistón	Engine capacity Cylindrée Capacidad del motor	Number of cylinders Nombre de cylindres Número de cilindros
100mm	127mm	4 litre	4

Specifications / Spécifications / Especificaciones

						
A (mm)	B (mm)	C (mm)	D (mm)	E (mm)	F (mm)	G (mm)
0.2	0.45	1 1.95 2 2.05	0.14 - 0.36	-0.1 - +0.1	1 0.4 - 0.85 2 0.3 - 0.76 3 0.38 - 0.84	42.056 - 42.083

Torque specifications / Spécifications de couple / Especificación de torsión

	Nm	lbft	Degrees
Cylinder head bolts Vis de culasse Pernos culata	110	81	
1st stage 1ère étape Primer paso			
2nd stage 2ème étape Segundo paso			a 150 b 180 c 210
Main bearing bolts Vis, chaise de palier-vilebrequin Pernos rodamiento principal	265	195	
Connecting rod nuts Ecrous de bielles Tuercas de biela	125	92	
Connecting rod bolts Vis de bielles Pernos de biela	155	114	
Flywheel bolts Boulons de roue Pernos volante	105	77	

- a - Short bolts / Boulons courts / Pernos cortos
- b - Medium bolts / Boulons moyens / Pernos medios
- c - Long bolts / Boulons longs / Pernos largos



Engine model	Build prefix	Turbo charged
Type de moteur 1004.40T	Code constructeur YD, YE	Turbo
Modelo de motor	Código de constructor	Turbo

Cylinder bore Alésage du cylindre Calibre del cilindro
100mm

Piston stroke Course du piston Recorrido del pistón
127mm

Engine capacity Cylindrée Capacidad del motor
4 litre

Number of cylinders Nombre de cylindres Número de cilindros
4

Specifications / Spécifications / Especificaciones

A (mm)	B (mm)	C (mm)		D (mm)	E (mm)	F (mm)	G (mm)
0.2	0.45	1 1.95	2 2.05	0.38 - 0.5	-0.1 - +0.1	1 0.4 - 0.85 2 0.3 - 0.76 3 0.38 - 0.84	42.056 - 42.083

Torque specifications / Spécifications de couple / Especificación de torsión

		Nm	lbft	Degrees
Cylinder head bolts Vis de culasse Pernos culata	1st stage 1ère étape Primer paso	110	81	
	2nd stage 2ème étape Segundo paso			a 150 b 180 c 210
	Main bearing bolts Vis, chaise de palier-vilebrequin Pernos rodamiento principal	265	195	
Connecting rod nuts Ecrous de bielles Tuercas de biela	125	92		
Connecting rod bolts Vis de bielles Pernos de biela	155	114		
Flywheel bolts Boulons de roue Pernos volante	105	77		

- a - Short bolts / Boulons courts / Pernos cortos
- b - Medium bolts / Boulons moyens / Pernos medios
- c - Long bolts / Boulons longs / Pernos largos



Engine model	Build prefix	Naturally aspirated
Type de moteur 1004.42	Code constructeur AR, AS	Aspiration naturelle
Modelo de motor	Código de constructor	Aspiración natural

Cylinder bore Alésage du cylindre Calibre del cilindro	Piston stroke Course du piston Recorrido del pistón	Engine capacity Cylindrée Capacidad del motor	Number of cylinders Nombre de cylindres Número de cilindros
103mm	127mm	4.23 litre	4

Specifications / Spécifications / Especificaciones

A (mm)	B (mm)	C (mm)	D (mm)	E (mm)	F (mm)	G (mm)
0.2	0.45	1 0.805 2 0.805	0.38 - 0.5	-0.1 - +0.1	1 0.28 - 0.51 2 0.3 - 0.63 3 0.3 - 0.63	39.723 - 39.738

Torque specifications / Spécifications de couple / Especificación de torsión

		Nm	lbft	Degrees
Cylinder head bolts Vis de culasse Pernos culata	1st stage 1ère étape Primer paso	45	33	
	2nd stage - 1/2UNF only 2ème étape – 1/2UNF uniquement Segundo paso – Solo 1/2UNF	110	81	
	3rd stage - M10 only 3ème étape – M10 uniquement Tercer paso – Solo M10			a 120 b 120 c 150
	4th stage - 1/2UNF only 4ème étape – 1/2UNF uniquement Cuarto paso – Solo 1/2UNF			180
Main bearing bolts Vis, chaise de palier-vilebrequin Pernos rodamiento principal		265	195	
Connecting rod nuts Ecrous de bielles Tuercas de biela		125	92	
Connecting rod bolts Vis de bielles Pernos de biela		155	114	
Flywheel bolts Boulons de roue Pernos volante		105	77	

- a - Short bolts / Boulons courts / Pernos cortos
- b - Medium bolts / Boulons moyens / Pernos medios
- c - Long bolts / Boulons longs / Pernos largos



Engine model	Build prefix	Naturally aspirated
Type de moteur 1006.60	Code constructeur YA	Aspiration naturelle
Modelo de motor	Código de constructor	Aspiración natural

Cylinder bore Alésage du cylindre Calibre del cilindro
100mm

Piston stroke Course du piston Recorrido del pistón
127mm

Engine capacity Cylindrée Capacidad del motor
6 litre

Number of cylinders Nombre de cylindres Número de cilindros
6

Specifications / Spécifications / Especificaciones

A (mm)	B (mm)	C (mm)		D (mm)	E (mm)	F (mm)	G (mm)
0.2	0.45	1 1.85	2 1.85	0.14 - 0.36	-0.1 - +0.1	1 0.4 - 0.85 2 0.3 - 0.76 3 0.38 - 0.84	38.89 - 38.92

Torque specifications / Spécifications de couple / Especificación de torsión

		Nm	lbft	Degrees
Cylinder head bolts Vis de culasse Pernos culata	1st stage 1ère étape Primer paso	110	81	
	2nd stage 2ème étape Segundo paso			a 150 b 180 c 210
	Main bearing bolts Vis, chaise de palier-vilebrequin Pernos rodamiento principal	265	195	
Connecting rod nuts Ecrous de bielles Tuercas de biela	125	92		
Connecting rod bolts Vis de bielles Pernos de biela	155	114		
Flywheel bolts Boulons de roue Pernos volante	105	77		

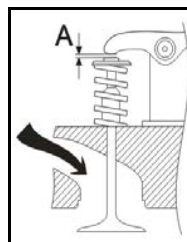
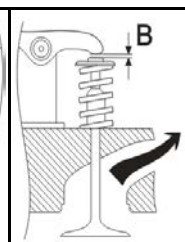
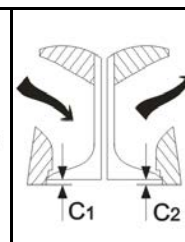
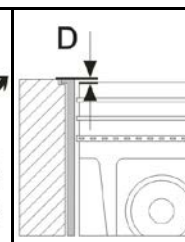
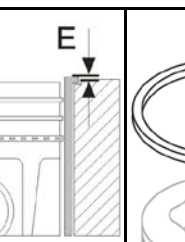
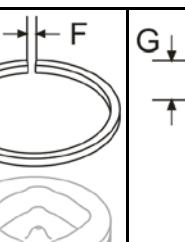

- a - Short bolts / Boulons courts / Pernos cortos
- b - Medium bolts / Boulons moyens / Pernos medios
- c - Long bolts / Boulons longs / Pernos largos



Engine model	Build prefix	Turbo charged
Type de moteur 1006.60T	Code constructeur YB	Turbo
Modelo de motor	Código de constructor	Turbo

Cylinder bore Alésage du cylindre Calibre del cilindro	Piston stroke Course du piston Recorrido del pistón	Engine capacity Cylindrée Capacidad del motor	Number of cylinders Nombre de cylindres Número de cilindros
100mm	127mm	6 litre	6

Specifications / Spécifications / Especificaciones

						
A (mm)	B (mm)	C (mm)	D (mm)	E (mm)	F (mm)	G (mm)
0.2	0.45	1 1.85 2 1.85	0.14 - 0.36	-0.1 - +0.1	1 0.4 - 0.85 2 0.3 - 0.76 3 0.38 - 0.84	42.056 - 42.083

Torque specifications / Spécifications de couple / Especificación de torsión

	Nm	lbft	Degrees
Cylinder head bolts Vis de culasse Pernos culata	110	81	
1st stage 1ère étape Primer paso			
2nd stage 2ème étape Segundo paso			a 150 b 180 c 210
Main bearing bolts Vis, chaise de palier-vilebrequin Pernos rodamiento principal	265	195	
Connecting rod nuts Ecrous de bielles Tuercas de biela	125	92	
Connecting rod bolts Vis de bielles Pernos de biela	155	114	
Flywheel bolts Boulons de roue Pernos volante	105	77	

- a - Short bolts / Boulons courts / Pernos cortos
 b - Medium bolts / Boulons moyens / Pernos medios
 c - Long bolts / Boulons longs / Pernos largos



Engine model	Build prefix	Turbo charged
Type de moteur 1006.60T	Code constructeur YD, YE, YG, YH, YJ, YK	Turbo
Modelo de motor	Código de constructor	Turbo

Cylinder bore Alésage du cylindre Calibre del cilindro
100mm

Piston stroke Course du piston Recorrido del pistón
127mm

Engine capacity Cylindrée Capacidad del motor
6 litre

Number of cylinders Nombre de cylindres Número de cilindros
6

Specifications / Spécifications / Especificaciones

A (mm)	B (mm)	C (mm)		D (mm)	E (mm)	F (mm)	G (mm)
0.2	0.45	1 1.95	2 2.05	0.14 - 0.36	-0.1 - +0.1	1 0.4 - 0.85 2 0.3 - 0.76 3 0.38 - 0.84	42.056 - 42.083

Torque specifications / Spécifications de couple / Especificación de torsión

		Nm	lbft	Degrees
Cylinder head bolts Vis de culasse Pernos culata	1st stage 1ère étape Primer paso	110	81	
	2nd stage 2ème étape Segundo paso			a 150 b 180 c 210
	Main bearing bolts Vis, chaise de palier-vilebrequin Pernos rodamiento principal	265	195	
Connecting rod nuts Ecrous de bielles Tuercas de biela	125	92		
Connecting rod bolts Vis de bielles Pernos de biela	155	114		
Flywheel bolts Boulons de roue Pernos volante	105	77		

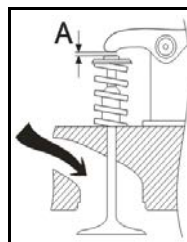
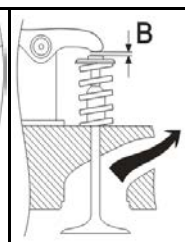
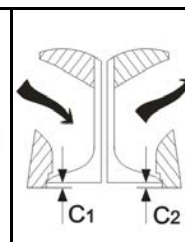
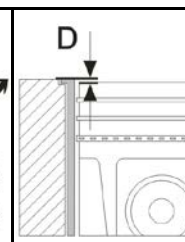
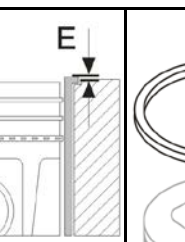
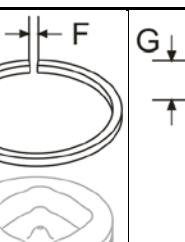
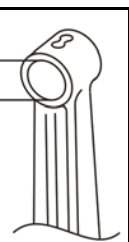
- a - Short bolts / Boulons courts / Pernos cortos
- b - Medium bolts / Boulons moyens / Pernos medios
- c - Long bolts / Boulons longs / Pernos largos



Engine model	1103A-33, 1103B-33,	Build prefix	DJ, DF, DC,	Naturally aspirated
Type de moteur	1103C-33, 1103D-33	Code constructeur	XK	Aspiration naturelle
Modelo de motor		Código de constructor		Aspiración natural

Cylinder bore Alésage du cylindre Calibre del cilindro	Piston stroke Course du piston Recorrido del pistón	Engine capacity Cylindrée Capacidad del motor	Number of cylinders Nombre de cylindres Número de cilindros
105mm	127mm	3.3 litre	3

Specifications / Spécifications / Especificaciones

						
A (mm)	B (mm)	C (mm)	D (mm)	E (mm)	F (mm)	G (mm)
0.2	0.45	1 1.09 2 1.06	0.21 - 0.35	-	1 0.3 - 0.55 2 0.7 - 0.95 3 0.3 - 0.55	43.01 - 43.04

Torque specifications / Spécifications de couple / Especificación de torsión

		Nm	lbft	Degrees
Cylinder head bolts Vis de culasse Pernos culata	1st stage 1ère étape Primer paso	50	37	
	2nd stage 2ème étape Segundo paso	100	74	
	3rd stage 3ème étape Tercer paso			a 225 b 270
Main bearing bolts Vis, chaise de palier-vilebrequin Pernos rodamiento principal		245	181	
Connecting rod bolts Vis de bielles Pernos de biela	1st stage 1ère étape Primer paso	18	13	
	2nd stage 2ème étape Segundo paso	70	52	
	3rd stage 3ème étape Tercer paso			120
Flywheel bolts Boulons de roue Pernos volante		105	77	

a - Short bolts / Boulons courts / Pernos cortos

b - Long bolts / Boulons longs / Pernos largos



Engine model	1103A-33T, 1103B-33T,	Build prefix	DK, DG, DD,	Turbo charged
Type de moteur	1103C-33T, 1103C-33TA,	Code constructeur	DE, XL, XM	Turbo
Modelo de motor	1103D-33T, 1103D-33TA	Código de constructor		Turbo

Cylinder bore Alésage du cylindre Calibre del cilindro
105mm

Piston stroke Course du piston Recorrido del pistón
127mm

Engine capacity Cylindrée Capacidad del motor
3.3 litre

Number of cylinders Nombre de cylindres Número de cilindros
3

Specifications / Spécifications / Especificaciones

A (mm)	B (mm)	C (mm)	D (mm)	E (mm)	F (mm)	G (mm)
0.2	0.45	1 2.09 2 2.06	0.21 - 0.35	-	1 0.3 - 0.55 2 0.7 - 0.95 3 0.3 - 0.55	43.01 - 43.04

Torque specifications / Spécifications de couple / Especificación de torsión

		Nm	lbft	Degrees
Cylinder head bolts Vis de culasse Pernos culata	1st stage 1ère étape Primer paso	50	37	
	2nd stage 2ème étape Segundo paso	100	74	
	3rd stage 3ème étape Tercer paso			a 225 b 270
Main bearing bolts Vis, chaise de palier-vilebrequin Pernos rodamiento principal		245	181	
Connecting rod bolts Vis de bielles Pernos de biela	1st stage 1ère étape Primer paso	18	13	
	2nd stage 2ème étape Segundo paso	70	52	
	3rd stage 3ème étape Tercer paso			120
Flywheel bolts Boulons de roue Pernos volante		105	77	

a - Short bolts / Boulons courts / Pernos cortos

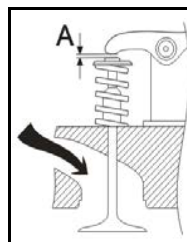
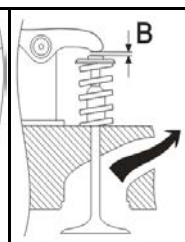
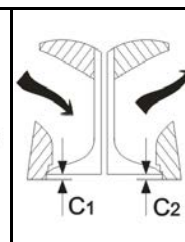
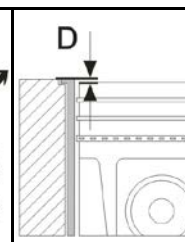
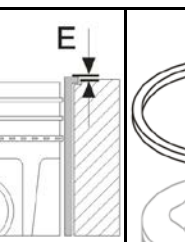
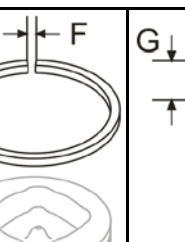
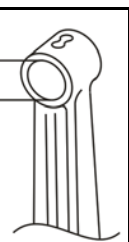
b - Long bolts / Boulons longs / Pernos largos



Engine model	1104A-44, 1104C-44,	Build prefix	RR, RE, RF,	Naturally aspirated
Type de moteur	1104C-E44, 1104D-44	Code constructeur	NK	Aspiration naturelle
Modelo de motor		Código de constructor		Aspiración natural

Cylinder bore Alésage du cylindre Calibre del cilindro	Piston stroke Course du piston Recorrido del pistón	Engine capacity Cylindrée Capacidad del motor	Number of cylinders Nombre de cylindres Número de cilindros
105mm	127mm	4.4 litre	4

Specifications / Spécifications / Especificaciones

						
A (mm)	B (mm)	C (mm)	D (mm)	E (mm)	F (mm)	G (mm)
0.2	0.45	1 1.09 2 1.06	0.21 - 0.35	-	1 0.3 - 0.55 2 0.7 - 0.95 3 0.3 - 0.55	39.723 - 39.738

Torque specifications / Spécifications de couple / Especificación de torsión

		Nm	lbft	Degrees
Cylinder head bolts Vis de culasse Pernos culata	1st stage 1ère étape Primer paso	50	37	
	2nd stage 2ème étape Segundo paso	100	74	
	3rd stage 3ème étape Tercer paso			a 225 b 270
Main bearing bolts Vis, chaise de palier-vilebrequin Pernos rodamiento principal		245	181	
Connecting rod bolts Vis de bielles Pernos de biela	1st stage 1ère étape Primer paso	18	13	
	2nd stage 2ème étape Segundo paso	70	52	
	3rd stage 3ème étape Tercer paso			120
Flywheel bolts Boulons de roue Pernos volante		105	77	

a - Short bolts / Boulons courts / Pernos cortos

b - Long bolts / Boulons longs / Pernos largos



Engine model	1104A-44T, 1104A-44TA,	Build prefix	RS, RT, NL,	Turbo charged
Type de moteur	1104D-44T, 1104D-44TA	Code constructeur	NM	Turbo
Modelo de motor		Código de constructor		Turbo

Cylinder bore Alésage du cylindre Calibre del cilindro
105mm

Piston stroke Course du piston Recorrido del pistón
127mm

Engine capacity Cylindrée Capacidad del motor
4.4 litre

Number of cylinders Nombre de cylindres Número de cilindros
4

Specifications / Spécifications / Especificaciones

A (mm)	B (mm)	C (mm)	D (mm)	E (mm)	F (mm)	G (mm)
0.2	0.45	1 2.09 2 2.06	0.21 - 0.35	-	1 0.3 - 0.55 2 0.7 - 0.95 3 0.3 - 0.55	39.723 - 39.738

Torque specifications / Spécifications de couple / Especificación de torsión

		Nm	lbft	Degrees
Cylinder head bolts Vis de culasse Pernos culata	1st stage 1ère étape Primer paso	50	37	
	2nd stage 2ème étape Segundo paso	100	74	
	3rd stage 3ème étape Tercer paso			a 225 b 270
Main bearing bolts Vis, chaise de palier-vilebrequin Pernos rodamiento principal		245	181	
Connecting rod bolts Vis de bielles Pernos de biela	1st stage 1ère étape Primer paso	18	13	
	2nd stage 2ème étape Segundo paso	70	52	
	3rd stage 3ème étape Tercer paso			120
Flywheel bolts Boulons de roue Pernos volante		105	77	

a - Short bolts / Boulons courts / Pernos cortos

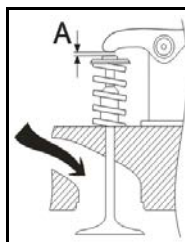
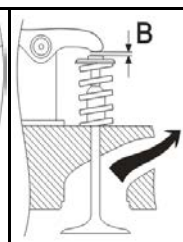
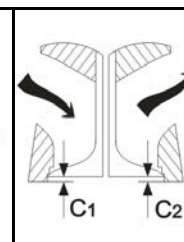
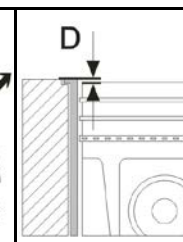
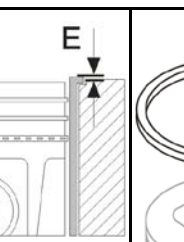
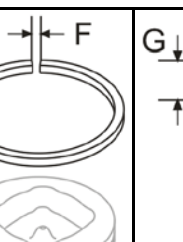
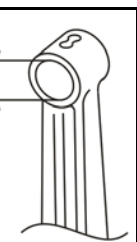
b - Long bolts / Boulons longs / Pernos largos



Engine model	1104C-44T, 1104C-E44T,	Build prefix	RG, RH, RJ,	Turbo charged
Type de moteur	1104C-44TA,	Code constructeur	RK	Turbo
Modelo de motor	1104C-E44TA	Código de constructor		Turbo

Cylinder bore Alésage du cylindre Calibre del cilindro	Piston stroke Course du piston Recorrido del pistón	Engine capacity Cylindrée Capacidad del motor	Number of cylinders Nombre de cylindres Número de cilindros
105mm	127mm	4.4 litre	4

Specifications / Spécifications / Especificaciones

						
A (mm)	B (mm)	C (mm)	D (mm)	E (mm)	F (mm)	G (mm)
0.2	0.45	1 2.09 2 2.06	0.21 - 0.35	-	1 0.3 - 0.55 2 0.7 - 0.95 3 0.3 - 0.55	39.723 - 39.738

Torque specifications / Spécifications de couple / Especificación de torsión

		Nm	lbft	Degrees
Cylinder head bolts Vis de culasse Pernos culata	1st stage 1ère étape Primer paso	50	37	
	2nd stage 2ème étape Segundo paso	100	74	
	3rd stage 3ème étape Tercer paso			a 225 b 270
Main bearing bolts Vis, chaise de palier-vilebrequin Pernos rodamiento principal		245	181	
Connecting rod bolts Vis de bielles Pernos de biela	1st stage 1ère étape Primer paso	18	13	
	2nd stage 2ème étape Segundo paso	70	52	
	3rd stage 3ème étape Tercer paso			120
Flywheel bolts Boulons de roue Pernos volante		105	77	

a - Short bolts / Boulons courts / Pernos cortos

b - Long bolts / Boulons longs / Pernos largos



Engine model	Build prefix	Turbo charged
Type de moteur 1106-E60TA	Code constructeur VK	Turbo
Modelo de motor	Código de constructor	Turbo

Cylinder bore Alésage du cylindre Calibre del cilindro
100mm

Piston stroke Course du piston Recorrido del pistón
127mm

Engine capacity Cylindrée Capacidad del motor
6 litre

Number of cylinders Nombre de cylindres Número de cilindros
6

Specifications / Spécifications / Especificaciones

A (mm)	B (mm)	C (mm)		D (mm)	E (mm)	F (mm)	G (mm)
0.2	0.45	1 1.95	2 2.05	0.38 - 0.5	-0.1 - +0.1	1 0.28 - 0.43 2 0.3 - 0.55 3 0.3 - 0.55	43.010 - 43.040

Torque specifications / Spécifications de couple / Especificación de torsión

		Nm	lbft	Degrees
Cylinder head bolts Vis de culasse Pernos culata	1st stage 1ère étape Primer paso	110	81	
	2nd stage 2ème étape Segundo paso			a 150 b 180 c 210
	Main bearing bolts Vis, chaise de palier-vilebrequin Pernos rodamiento principal	265	195	
Connecting rod nuts Ecrous de bielles Tuercas de biela	125	92		
Flywheel bolts Boulons de roue Pernos volante	107	79		

- a - Short bolts / Boulons courts / Pernos cortos
- b - Medium bolts / Boulons moyens / Pernos medios
- c - Long bolts / Boulons longs / Pernos largos



quality replacement parts
suitable for **PERKINS**
1000 & 1100 Series



Also available to download



PAA6016
Massey Ferguson



View or download from
www.vapormatic.com/vapormatic-e-catalogues.ashx



Whilst specifications are considered to be correct at the date of printing, we reserve the right to change specifications without prior notification. E. & O. E. Original equipment manufacturers names and part numbers are quoted for reference purposes only and are not intended to suggest that our replacement parts are made by the original equipment manufacturer.

© The Vapormatic Co. Ltd. Publication Date 19.9.2014

www.vapormatic.com