

## Features and Benefits

Synergy is an industrially designed family of wall plates providing a sleek, curved, and low profile appearance. The plates have slim, rounded contours that offer an aesthetically pleasing style that fits even the most contemporary of high technology office atmospheres. The Synergy family blends optimum functionality with its unique design by offering convenient features such as tamper-proof rear-loading of modules, hinged screw caps to prevent their misplacement, and clear, concise labeling options.

- Low profile for inconspicuous network connecting
- Clear concise labeling
- Rear loading to reduce tampering
- Hinged screw caps prevent misplacement
- Accommodates DataGate 5e jacks - available in eleven colors
- 5 wall plate colors available

## Commercial Standards

UL 1863

## Reference Information

Parts list

- Wall Plate
- (Molex) Screw Cap Cover
- Clear Label Holder
- 1 Label Sheet (write-on)
- (2) Mounting Screws
- 1 Synergy™ Icon Tree (telcom)
- Assembly Instructions

## Technical Information

### Mechanical Characteristics

Dimensions

Single Gang:

120mm x 70mm x 11mm

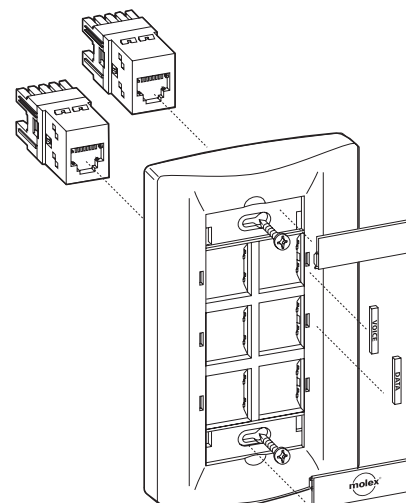
Double Gang:

117.5mm x 120.7mm x 11mm

Note: single gang wallplates require minimum mud-ring opening of 72mm x 42mm (2.85" x 1.66") and double gang wallplates require minimum opening of 87mm x 42mm (2.85" x 3.42")

Shipping Weight: Plates (Box of 50)  
1.4 kg

Material: Cycloyl C2800



## ORDERING INFORMATION

Order No.	SAP No.	Description
WSY-00001-0*	Consult Molex	Synergy Wallplate, 6 Port - Unloaded
WSY-00002-0*	Consult Molex	Synergy Wallplate, 4 Port - Unloaded
WSY-00003-0*	Consult Molex	Synergy Wallplate, 3 Port - Unloaded
WSY-00005-0*	Consult Molex	Synergy Wallplate, 4 Port Angled - Unloaded
WSY-00006-0*	Consult Molex	Synergy Wallplate, 2 Port Angled - Unloaded
WSY-00015-0*	Consult Molex	Synergy Wallplate, 12 Port Double Gang - Unloaded
WSY-00016-0*	Consult Molex	Synergy Wallplate, 10 Port Double Gang - Unloaded
WSY-00017-0*	Consult Molex	Synergy Wallplate, 8 Port Double Gang - Unloaded
KSJ-00005-0*	Consult Molex	Single Blank Module (Bag of 25)

\*Colour options - 1 = Almond, 2 = White, 5 = Ivory, 4 = Black, 8 = Light Grey

## MOLEX PREMISE NETWORKS

**Americas**  
Tel: 630 969 4550  
www.molexpn.com

**EMEA**  
Tel: 44 (0)2392 205800  
www.molexpn.co.uk

**APAC**  
Tel: 61 3 9971 7111  
www.molexpn.com.au