

Features and Benefits

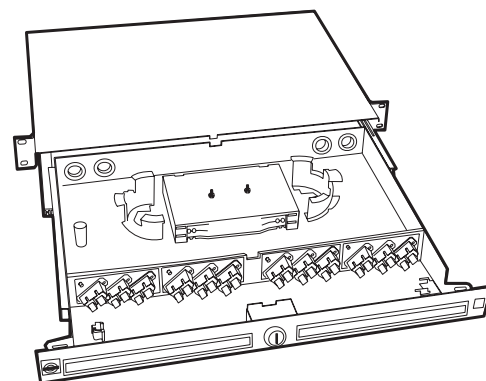
The 24 Port FMS Termination Drawer is a 1U configurable rack mount unit for storing and terminating incoming fibre cable. The front of the drawer slides open to reveal a recessed configurable patch panel that accepts up to four 6-Pak adapter plates. The 24 Port FMS comes with a keyed lock, to provide a compact, secure termination drawer.

- Accommodates 6-Pak adapter plates
- 1U standard 19" rack mount
- Suits 5-16mm diameter fibre cable
- Strain relief post for securing fibre cables with central members going patch cords
- Rear access for Incoming/Outgoing backbone cables
- Contains management rings to accommodate excess fibre cordage and maintain fibre bend radius
- Lockable for increased security
- Built in label facility
- Rugged steel construction in graphite finish

Technical Information

Mechanical Characteristics

Material: 16 Gauge CRS
 Finish: Graphite Grey Powdercoat
 Dimensions: 45mm x 483mm x 318mm
 Ship Weight: 4kg



ORDERING INFORMATION

Order No.	SAP No.	Description
17.B155G	Consult Molex	24 Port Configurable Fibre Sliding Drawer-Lockable - Unloaded

MOLEX PREMISE NETWORKS

Americas
 Tel: 630 969 4550
www.molexpn.com

EMEA
 Tel: 44 (0)2392 205800
www.molexpn.co.uk

APAC
 Tel: 61 3 9971 7111
www.molexpn.com.au