

WSD LED INC

Office: +1.469.857.5693

Website: www.wsdledinc.com

Address: 1250 Wattley Way, Suite 100,
McKinney, TX 75069

E-mail: leo.zhu@wisdom-ssl.com

California Warehouse:

42636 Avenida Alvarado, TEMECULA, CA 92590

Office: +1.951.267.6266



®

WSD LED INC
Green Lighting Resources



TOWING ENFORCED
PATRON
PARKING ONLY
ALL OTHER VEHICLES PROHIBITED
UNAUTHORIZED VEHICLES WILL BE TOWED
AT OWNER'S OR OPERATOR'S EXPENSE
24 HOURS A DAY, 7 DAYS A WEEK
972-424-6700

LED SHOEBOX LIGHT



About Us

WSD LED INC is committed to providing green and reliable lighting resources. We currently occupy approximately 30,000 square feet of warehouse space in McKinney, Texas. Our extensive array of LED products include area lights, wall packs, high bay fixtures, flood lights, canopy lights, gas station lights, and much more—all have distinctive design elements with high lumen output.

WSD LED INC is proud to say that our products pass the ISO 9001:2008 quality assurance system and ISO 14001:2004 environmental assurance system. Product certifications include UL, DLC, SAA, CE, and RoHS to meet the requirements of North America, South America, Europe, Australia, and New Zealand.

WSD LED INC offers only our finest products, many of which are already installed throughout the United States. We believe that customers come first, and we strive to provide a high level of customer service. Our goal is to show our customers that their trust in us is not wasted. We are committed to providing fast delivery, expert technical support, and maintenance on all our products.



Texas Warehouse



California Warehouse



Test instrument



Material aging laboratory



Workshop



Material aging laboratory



Warehouse




LED Lighting & Poles

WSD DIRECT FROM FACTORY
CONTRACTORS' BEST CHOICE

FAST & ALL

From standard commercial lighting fixtures and drivers to light poles manufactured and stocked in both China and the U.S, we offer same day delivery across the U.S

FACTORY PRICE

Factory quote, top quality with no extra cost

TOP-NOTCH QUALITY

5YR warranty, all DLC and UL Certified

ASSERTIVE SERVICES

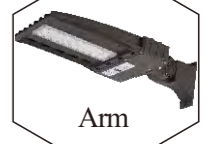
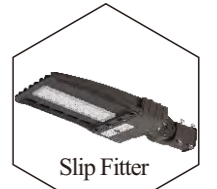
24/7 standby services, providing support for customization needs such as relabeling and repainting

Certifications



Contents

- LED Shoebox Area Light Series.....05
- LED Street Light Series.....13
- LED Stadium Eyes Light Series.....15
- LED Flood Light Series.....18
- LED Wall Pack Series.....23
- LED Semi-Cutoff Wall Pack Series.....27
- LED Slim Adjustable Wall Pack Series.....35
- LED Gas Station Canopy Light Series.....45
- LED Slim Canopy Series.....46
- LED Parking Garage Canopy Series.....49
- LED Linear High Bay Series.....53
- LED UFO High Bay Series.....55
- LED Post Top Series58
- LED Bollard Light Series.....65
- LED Vapor Tight Fixture Light Series.....66
- LED Panel Light Series.....69
- LED Disk Down Light Series.....72
- LED Troffer Light Series.....73
- LED Wraproun Light Series.....81
- Emergency Battery Driver Series.....86
- Microwave Motion Sensor Series.....88
- Straight Square Steel Poles Series.....89
- Other Adaptors Series.....95
- Horticulture LED Grow Light Series.....99
- Wisdommind-Smart Lighting System.....105



60W/100W

- WSD-SB06W27-XXK-Z-TN-U-P-M (Premium)
- WSD-SB06W48-XXK-Z-TN-U (Premium)
- WSD-SB10W27-XXK-Z-TN-U-P-M (Premium)
- WSD-SB10W48-XXK-Z-TN-U (Premium)

Technical Parameters

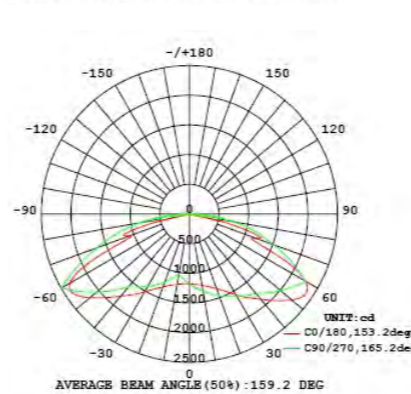
Luminous Flux: 8900LM/8800LM
13700LM/13600LM

PF: >0.95 CRI: Ra>70

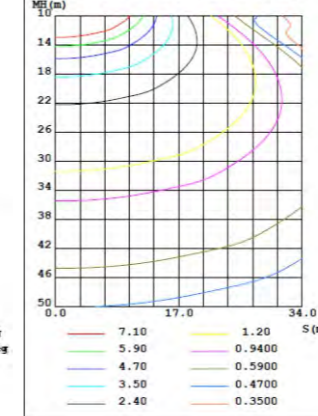
L70: >70,000 hrs
LED Chips: >Lumileds LED
Input Voltage: AC120-277V or AC277-480V
Protection Level: Wet Location/IP66
Lighting Angle: Type II, Type III, Type IV, Type V

Light Distribution Curve

LUMINOUS INTENSITY DISTRIBUTION DIAGRAM



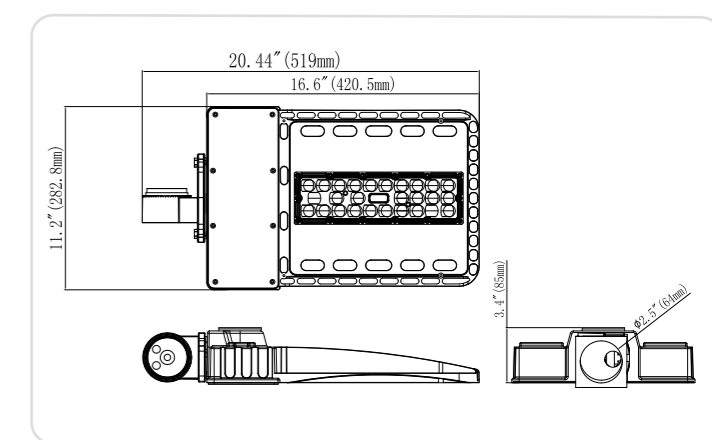
C0 PLANE ISOLUX DIAGRAM (UNIT: lx)

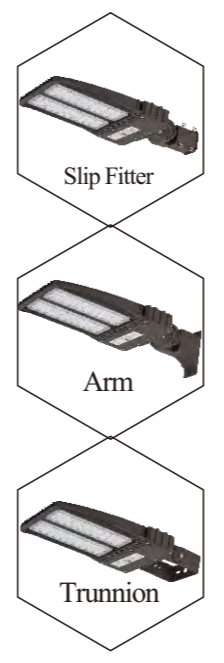


Product description

- High efficiency LED Driver, the wide range input voltage AC120-277V or AC277-480V;
- Lumileds LED high luminous efficiency and long life.
- Cast aluminium design, better cooling and easy replacement, light quality, LED Tj<85°C.
- Excellent optical design, greatly improve the light utilization and evenness.
- Photocell control and Motion sensor available (Accessories need to purchased separately).
- DLC 5.1

Structure Features





150W/200W

- WSD-SB15W27-XXK-Z-TN-U-P-M (Premium)
- WSD-SB15W48-XXK-Z-TN-U (Premium)
- WSD-SB20W27-XXK-Z-TN-U-P-M (Premium)
- WSD-SB20W48-XXK-Z-TN-U (Premium)

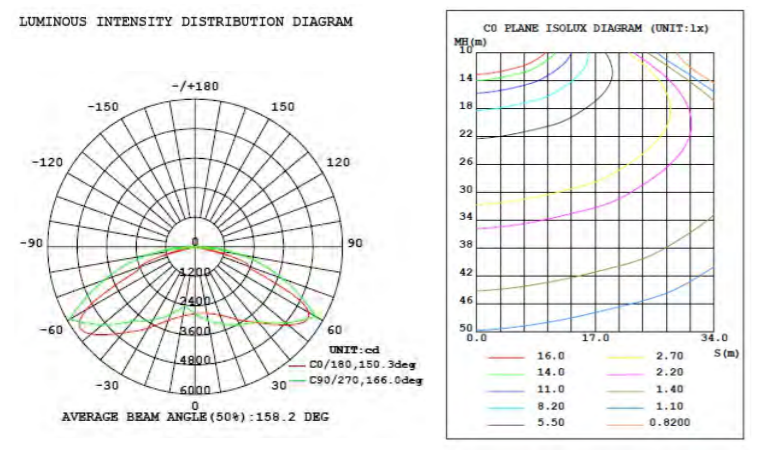
Technical Parameters

Luminous Flux: 21800LM/21000LM
27000LM/26900LM

PF: >0.95 CRI: Ra>70

L70: >70,000 hrs
LED Chips: Lumileds LED
Input Voltage: AC120-277V or AC277-480V
Protection Level: Wet Location/IP66
Lighting Angle: Type II, Type III, Type IV, Type V

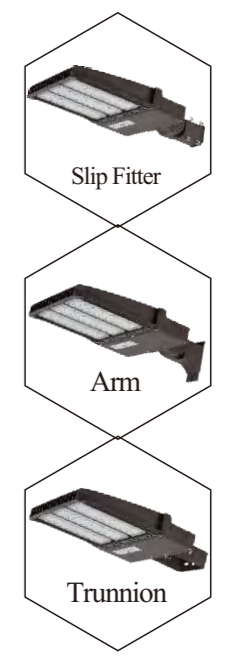
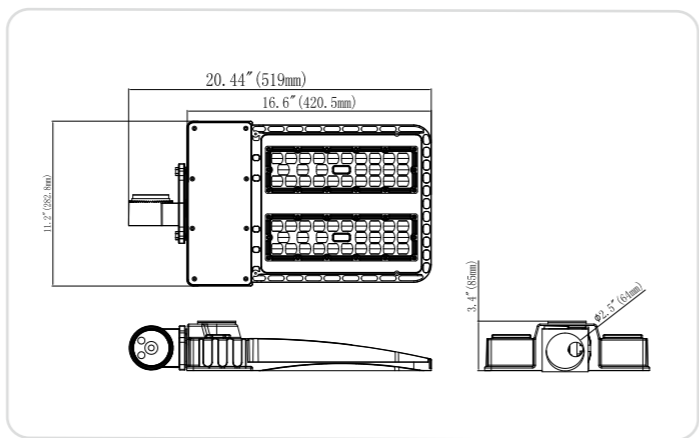
Light Distribution Curve



Product description

- High efficiency LED Driver, the wide range input voltage AC120-277V or AC277-480V;
- Lumileds LED high luminous efficiency and long life.
- Cast aluminium design, better cooling and easy replacement, light quality, LED Tj<85°C.
- Excellent optical design, greatly improve the light utilization and evenness.
- Photocell control and Motion sensor available (Accessories need to purchased separately).
- DLC 5.1

Structure Features



300W

- WSD-SB30W27-XXK-Z-TN-U-P-M (Premium)
- WSD-SB30W48-XXK-Z-TN-U (Premium)

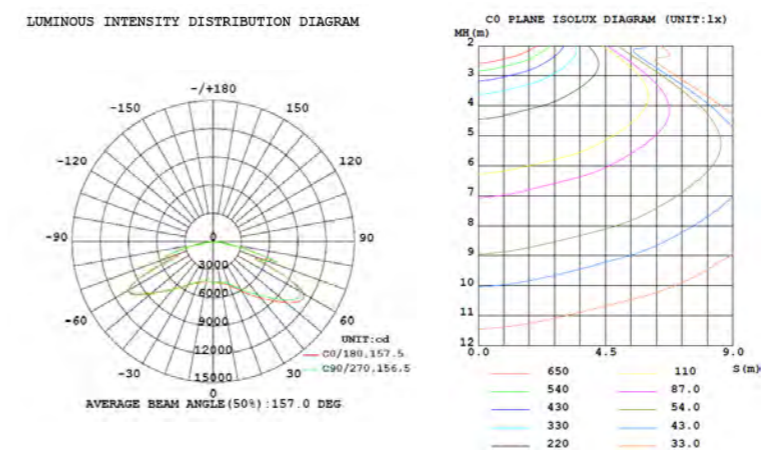
Technical Parameters

Luminous Flux: 40200LM/42400LM

PF: >0.95 CRI: Ra>70

L70: >70,000 hrs
LED Chips: Lumileds LED
Input Voltage: AC120-277V or AC277-480V
Protection Level: Wet Location/IP66
Lighting Angle: Type II, Type III, Type IV, Type V

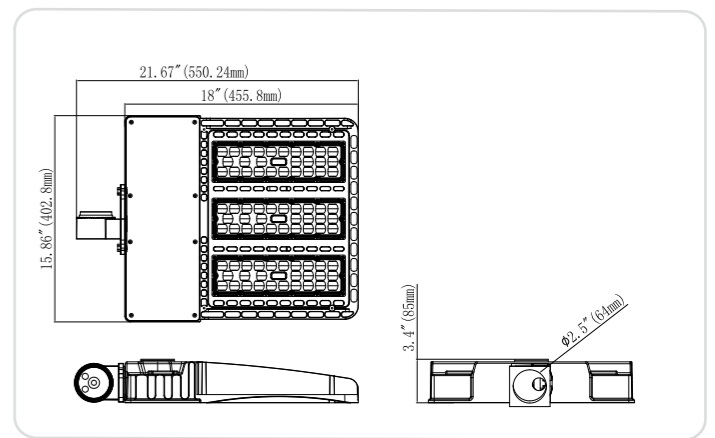
Light Distribution Curve

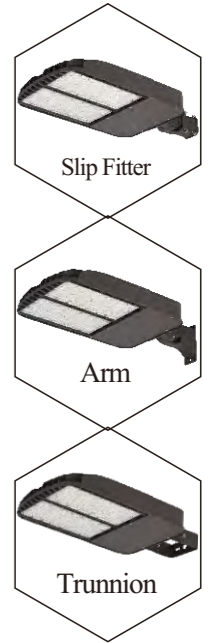


Product description

- High efficiency LED Driver, the wide range input voltage AC120-277V or AC277-480V;
- Lumileds LED high luminous efficiency and long life.
- Cast aluminium design, better cooling and easy replacement, light quality, LED Tj<85°C.
- Excellent optical design, greatly improve the light utilization and evenness.
- Photocell control and Motion sensor available(Accessories need to purchased separately).
- DLC 5.1

Structure Features





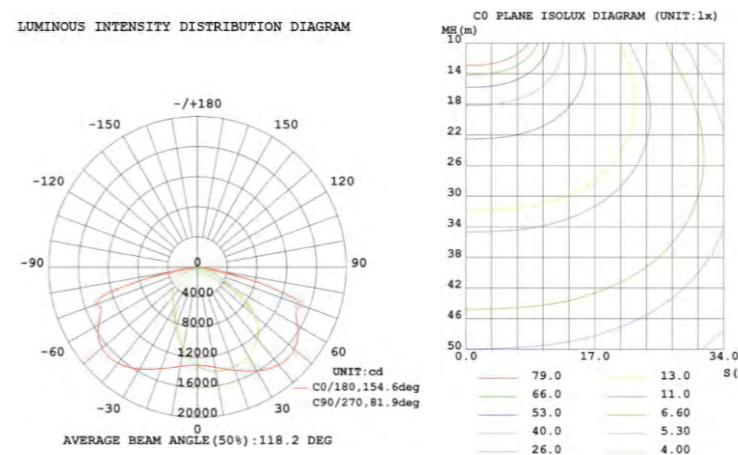
400W

WSD-SB40W27-XXK-Z-TN-U-P-M (Premium)
WSD-SB40W48-XXK-Z-TN-U (Premium)

Technical Parameters

Luminous Flux: 56800LM/56000LM
PF: >0.95 CRI: Ra>70
L70: >70,000 hrs
LED Chips: Lumileds LED
Input Voltage: AC120-277V or AC277-480V
Protection Level: Wet Location
Lighting Angle: Type II, Type III, Type IV, Type V

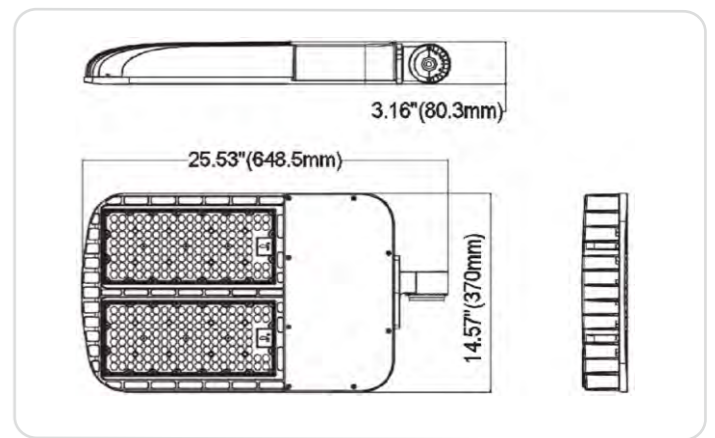
Light Distribution Curve



Product description

- High efficiency LED Driver, the wide range input voltage AC120-277V or AC277-480V;
- Lumileds LED high luminous efficiency and long life.
- Cast aluminium design, better cooling and easy replacement, light quality, LED Tj<85°C .
- Excellent optical design, greatly improve the light utilization and evenness.
- Photocell control and Motion sensor available(Accessories need to purchased separately).
- DLC 5.1

Structure Features





60W/90W
120W/150W

WSD-SB691215W27-45K-Z-TN-U-Y-M (Premium)
WSD-SB691215W48-45K-Z-TN-U (Premium)

Technical Parameters

PF: >0.98 CRI: Ra>70

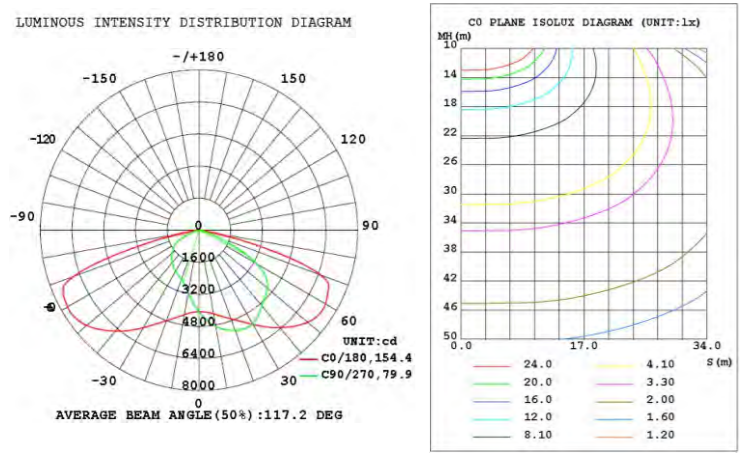
L70: >70,000 hrs
LED Type: Lumileds
Input Voltage: AC120-277V or AC277-480V
Protection Level: Wet Location
Lighting Angle: Type II, Type III, Type IV, Type V

Product description

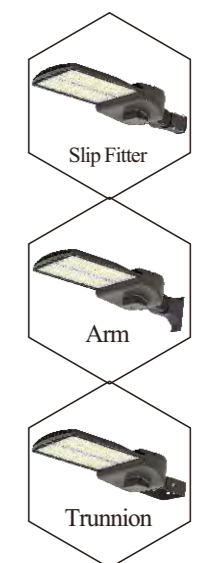
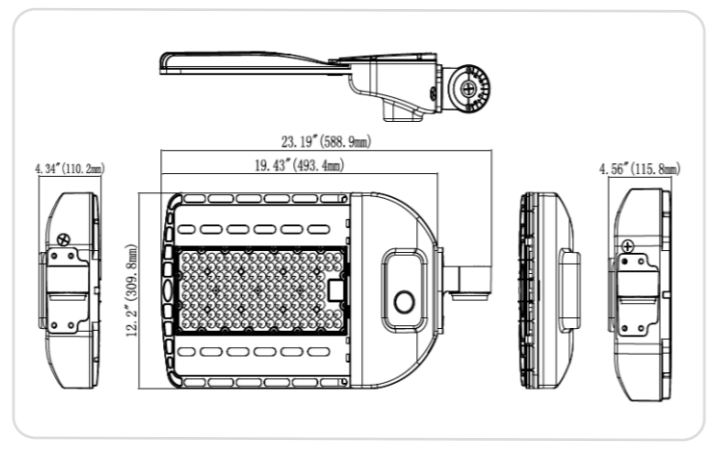
- Optical design, greatly improved the light utilization and evenness.
- High efficiency LED Driver, the wide range input voltage AC120-277V or AC277-480V;
- Cast aluminium design, better cooling and easy replacement, light quality, LED T_j<85°C .
- Photocell control and Motion sensor (Accessories need to purchased separately).
- 1-10V dimming (10%-100%) standard.
- Compatible with most Lutron and leviton dimmers.
- DLC 5.1

Power	CCT	Luminous Flux
60W	4000K/5000K	9000/8700LM
90W	4000K/5000K	13000/12790LM
120W	4000K/5000K	16680/16200LM
150W	4000K/5000K	21021/20712LM

Light Distribution Curve



Structure Features



120W/180W
240W/300W

WSD-SB12182430W27-45K-Z-TN-U-Y-M (Premium)
WSD-SB12182430W48-45K-Z-TN-U (Premium)

Technical Parameters

PF: >0.98 CRI: Ra>70

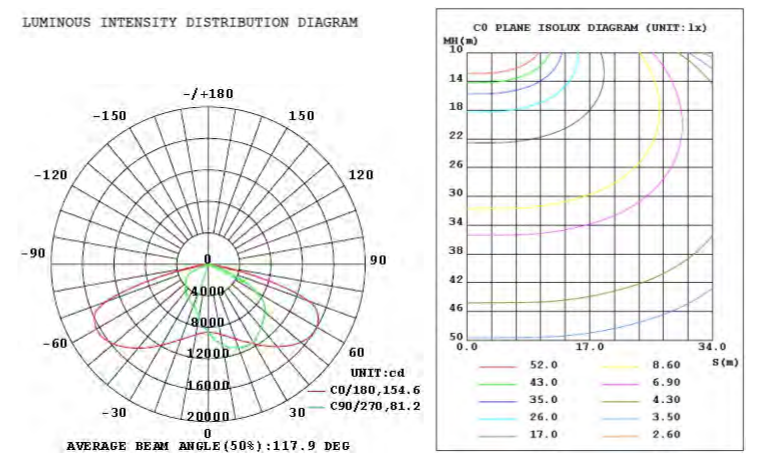
L70: >70,000 hrs
LED Type: Lumileds
Input Voltage: AC120-277V or AC277-480V
Protection Level: Wet Location
Lighting Angle: Type II, Type III, Type IV, Type V

Product description

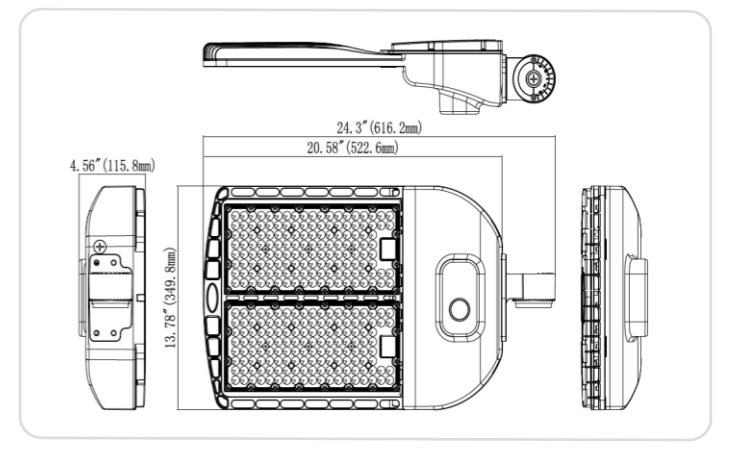
- Optical design, greatly improved the light utilization and evenness.
- High efficiency LED Driver, the wide range input voltage AC120-277V or AC277-480V;
- Cast aluminium design, better cooling and easy replacement, light quality, LED T_j<85°C .
- Photocell control and Motion sensor (Accessories need to purchased separately).
- 1-10V dimming (10%-100%) standard.
- Compatible with most Lutron and leviton dimmers.
- DLC 5.1

Power	CCT	Luminous Flux
120W	4000K/5000K	18720/17880LM
180W	4000K/5000K	27180/26460LM
240W	4000K/5000K	35280/34320LM
300W	4000K/5000K	44714/43891LM

Light Distribution Curve



Structure Features





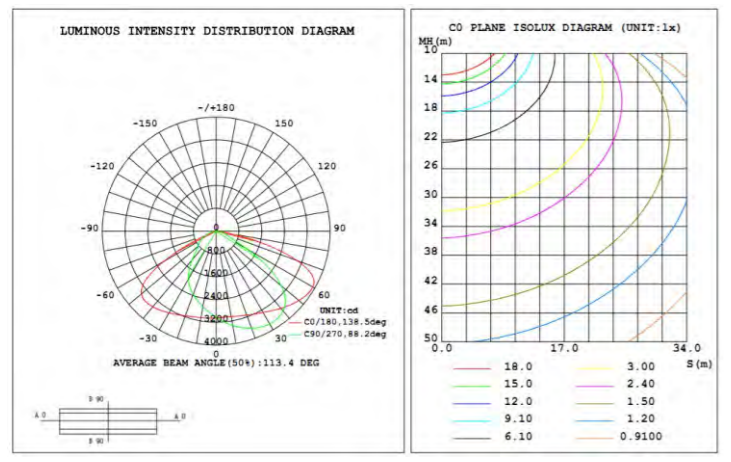
100W/150W

- WSD-ST10W27-XXK-Z (Premium)
- WSD-ST10W48-XXK-Z (Premium)
- WSD-ST15W27-XXK-Z (Premium)
- WSD-ST15W48-XXK-Z (Premium)

Technical Parameters

Luminous Flux: 15100LM/15100LM
22650LM/22500LM
PF: >0.95 CRI: Ra>70
L70: >70,000 hrs
LED Chips: Lumileds LED
Input Voltage: AC100-277V or AC277-480V
Protection Level: Wet Location
Lighting Angle: 85*140°

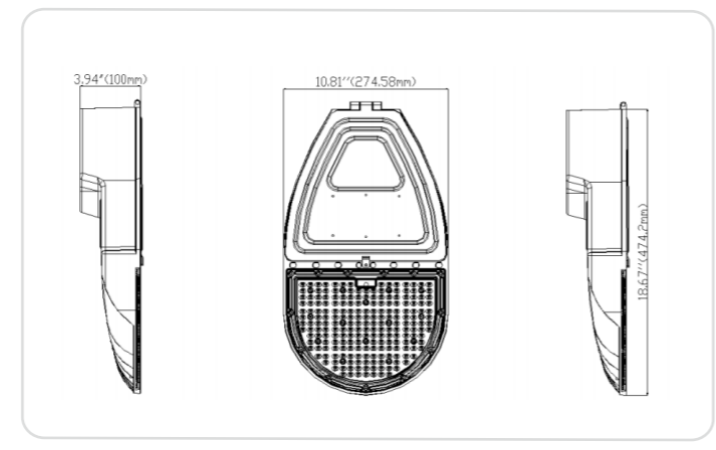
Light Distribution Curve



Product description

- High efficiency LED Driver, the wide range input voltage AC100-277V or AC277-480V;
- Lumileds LED high luminous efficiency and long life.
- Cast aluminium design, better cooling and easy replacement, light quality, LED Tj<85°C.
- Excellent optical design, greatly improve the light utilization and evenness.
- Photocell control and Motion sensor available (Accessories need to purchased separately).
- DLC 5.1

Structure Features



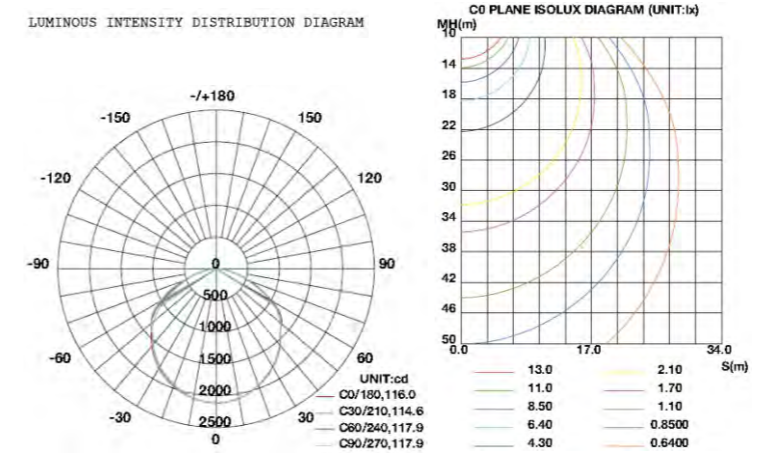
45W

WSD-45WDW27-XXK-Z-P (Premium)

Technical Parameters

Luminous Flux: 6200LM
PF: >0.98 CRI: Ra>70
L70: >70,000 hrs
LED Type: SMD2835
Input Voltage: AC120-277V
Protection Level: Wet Location
Lighting Angle: 124°

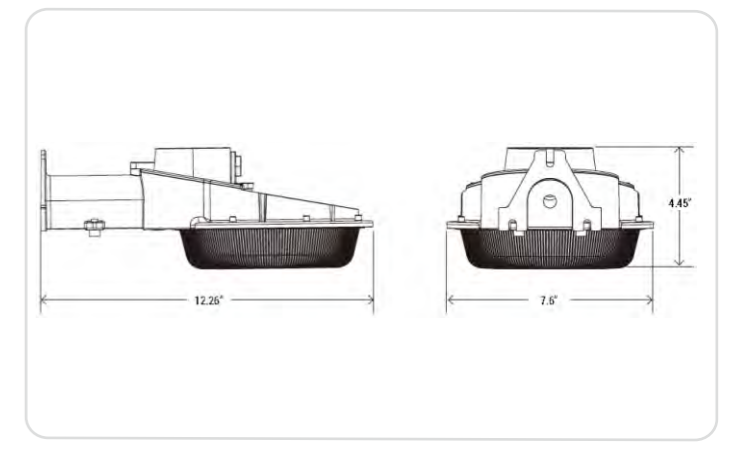
Light Distribution Curve



Product description

- Lumileds LED high luminous efficiency and long working life.
- High efficiency LED Driver, the wide range input voltage AC120-277V;
- Die cast aluminium cooling design, high quality and better cooling for LED Tj<85°C.
- Excellent optical design, greatly improve the light utilization and evenness.
- DLC 5.1

Structure Features





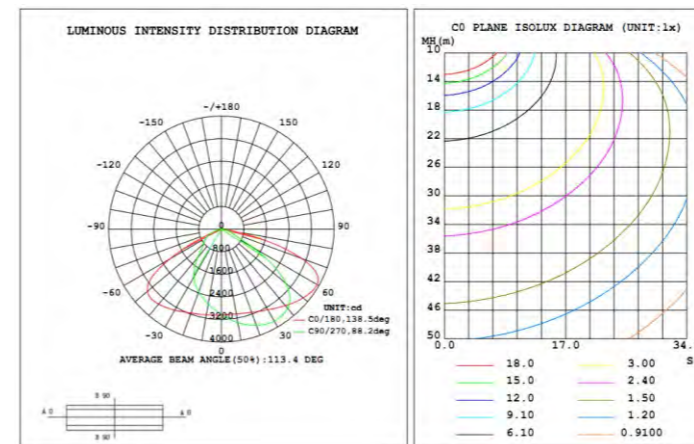
400W/600W

- WSD-SE40W27-XXK-Z-NM-U-G-F (Premium)
- WSD-SE40W48-XXK-Z-NM-U-G-F (Premium)
- WSD-SE60W27-XXK-Z-NM-U-G-F (Premium)
- WSD-SE60W48-XXK-Z-NM-U-G-F (Premium)

Technical Parameters

Luminous Flux: 56200LM/56500LM
86500LM/85200LM
PF: >0.98 CRI: Ra>80
L70: >70,000 hrs
LED Chips: 5050 LED
Input Voltage: AC100-277V or AC277-480V
Protection Level: Wet Location
Lighting Angle: NEMAIII, IV, V

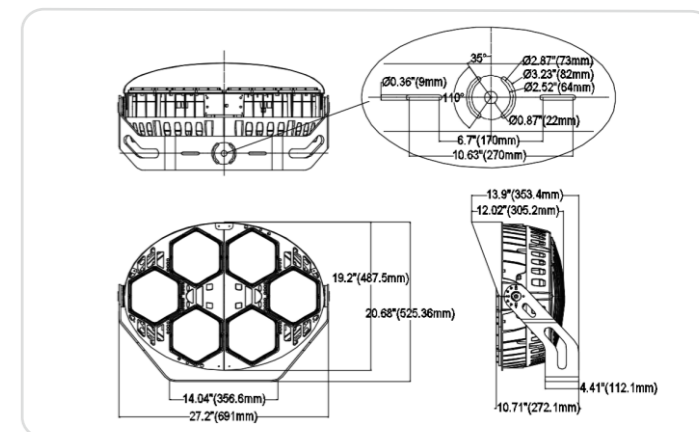
Light Distribution Curve



Product description

- Optical design, greatly improved the light utilization and evenness.
- High efficiency LED Driver, the wide range input voltage AC100-277V or AC277-480V.
- Cast aluminium design, better cooling and easy replacement, light quality, LED Tj<85°C.
- Excellent efficacy ≥140lm/w.
- 12V auxiliary dimming/Dali dimming (Accessories need to purchased separately).
- DLC 5.1

Structure Features





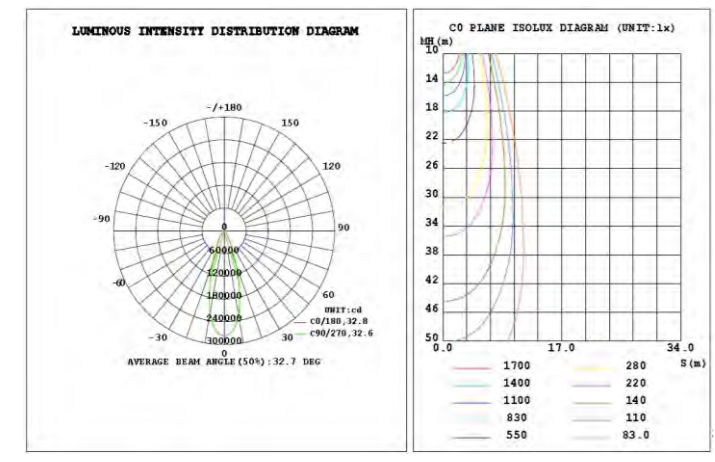
800W/1000W

WSD-SE80W48-50K-S-N3-T
WSD-SE100W48-50K-S-N3-T

Technical Parameters

Luminous Flux: 118938LM/149460LM
PF: >0.95 CRI: Ra>80
Life Span: >75,000 hrs
Efficacy: ≥145 lm/M
Input Voltage: AC200-480V
Protection Level: Wet Location
Lighting Angle: NEMAIII, IV

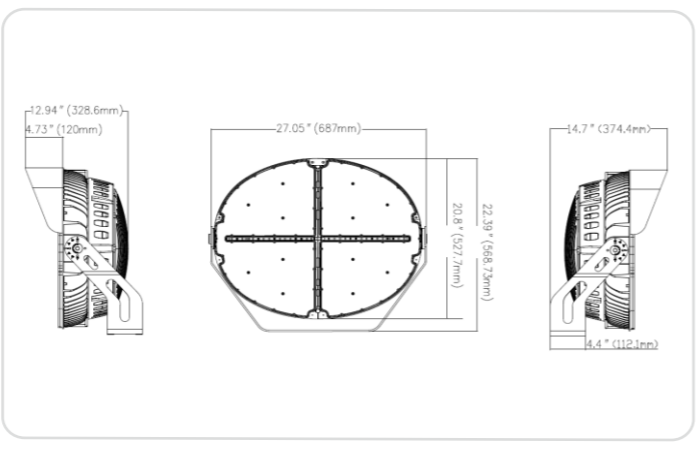
Light Distribution Curve



Product description

- LED high luminous efficiency and long working life.
- High efficiency LED Driver, the wide range input voltage AC200-480V.
- Die-cast aluminum cooling design, high quality and better cooling for LED Tj<85°C.
- Excellent optics design, greatly improve the light utilization and evenness.
- 12V auxiliary (Standard) / Dali dimming (Optional)
- DLC 5.1

Structure Features



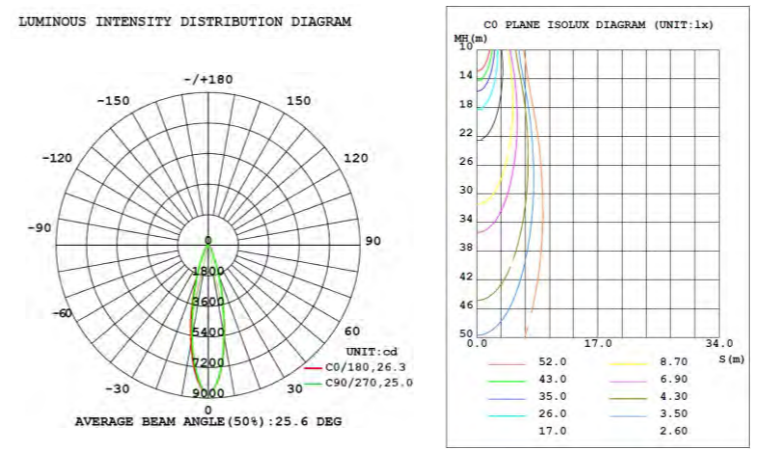
8W/12W/16W/20W

WSD-LFL8121620W-345K-D-K-P

Technical Parameters

PF: >0.98 CRI: Ra>70
L70: >70,000 hrs
LED Chips: SMD2835
Input Voltage: AC120-277V
Protection Level: Wet Location
Lighting Angle: 26°

Light Distribution Curve

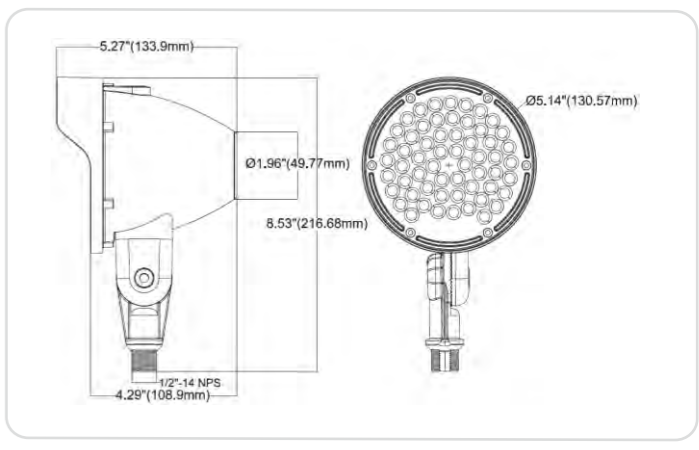


Product description

- High efficiency LED Driver, the wide range input voltage AC120-277V;
- Lumileds LED high luminous efficiency and long life.
- Cast aluminium design, better cooling and easy replacement, light quality, LED Tj<85°C.
- 0-10V dimming standard.
- CCT:3000-5000K.
- 5 years manufacturer warranty.
- Compatible with most Lutron and Leviton dimmers.

Power	CCT	Luminous Flux
8W	3000K/4000K/5000K	1185/1254/1250LM
12W	3000K/4000K/5000K	1705/1823/1812LM
16W	3000K/4000K/5000K	2183/2368/2323LM
20W	3000K/4000K/5000K	2677/2941/2859LM

Structure Features





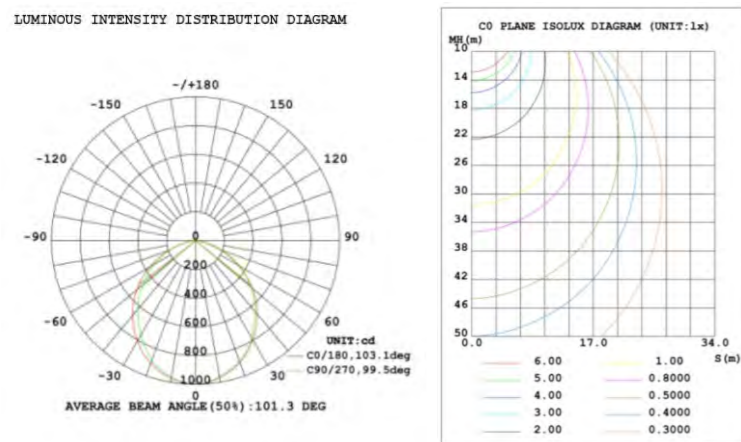
30W

WSD-FL03W27-XXK-Z-K-P

Technical Parameters

Luminous Flux: 4400LM
 PF: >0.95 CRI: Ra>70
 L70: >70,000 hrs
 LED Chips: SMD2835
 Input Voltage: AC120-277V
 Protection Level: Wet Location
 Lighting Angle: 101°

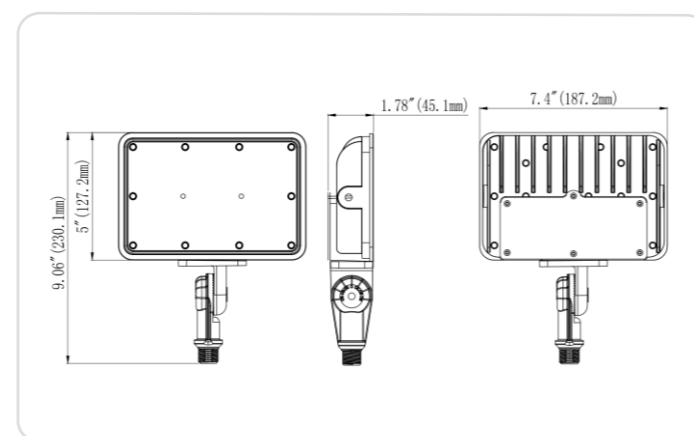
Light Distribution Curve



Product description

- High efficiency LED Driver, the wide range input voltage AC120-277V;
- Lumileds LED high luminous efficiency and long life.
- Cast aluminium design, better cooling and easy replacement, light quality, LED Tj<85°C .
- Excellent optical design, greatly improve the light utilization and evenness.
- Photocell control available(Accessories need to purchased separately).

Structure Features



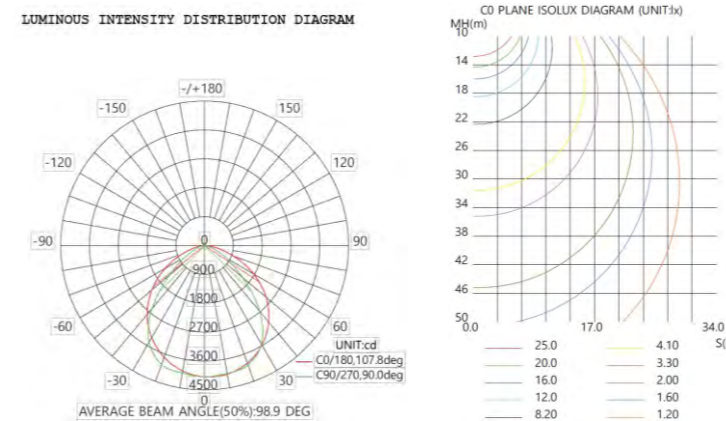
45W/70W

WSD-FL45W27-XXK-Z-U-P-G2(Premium)
 WSD-FL07W27-XXK-Z-U-P-G2(Premium)

Technical Parameters

Luminous Flux: 6750LM/10500LM
 PF: >0.95 CRI: Ra>70
 L70: >70,000 hrs
 LED Chips: SMD2835
 Input Voltage: AC120-277V
 Protection Level: Wet Location
 Lighting Angle: 101°

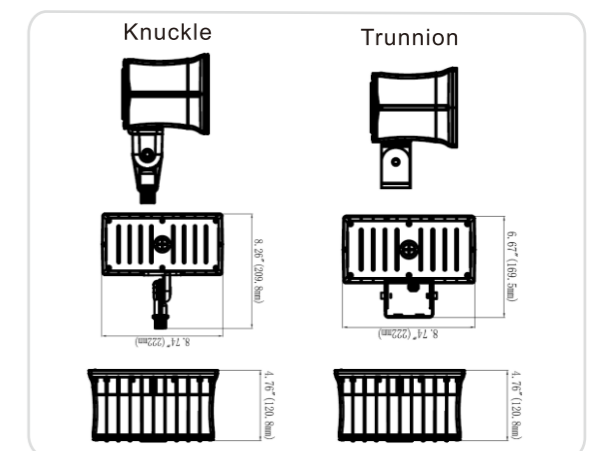
Light Distribution Curve



Product description

- High efficiency LED Driver, the wide range input voltage AC120-277V.
- Lumileds LED high luminous efficiency and long life.
- Cast aluminium design, better cooling and easy replacement, light quality, LED Tj < 85°C.
- Excellent optical design, greatly improve the light utilization and evenness.
- Photocell control.
- DLC 5.1

Structure Features





100W/150W/200W

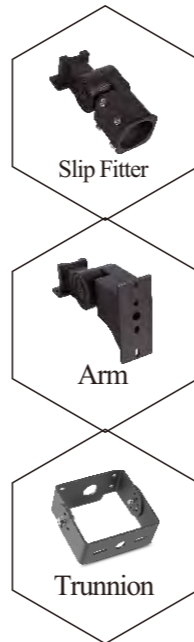
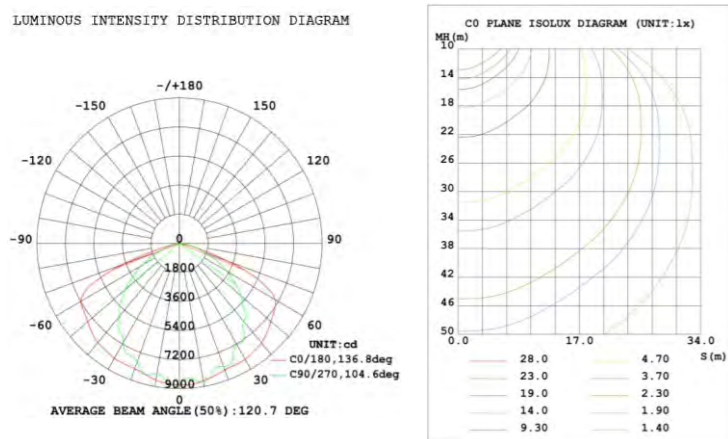
WSD-10WFL27-XXK-Z-U-Y (Premium)
WSD-15WFL27-XXK-Z-U-Y (Premium)
WSD-20WFL27-XXK-Z-U-Y (Premium)

Technical Parameters

Luminous Flux: 14200LM/21800LM/29000LM
PF: >0.98 CRI: Ra>70

L70: >70,000 hrs
LED Chips: Lumileds LED
Input Voltage: AC120-277V
Protection Level: Wet Location
Lighting Angle: 120°

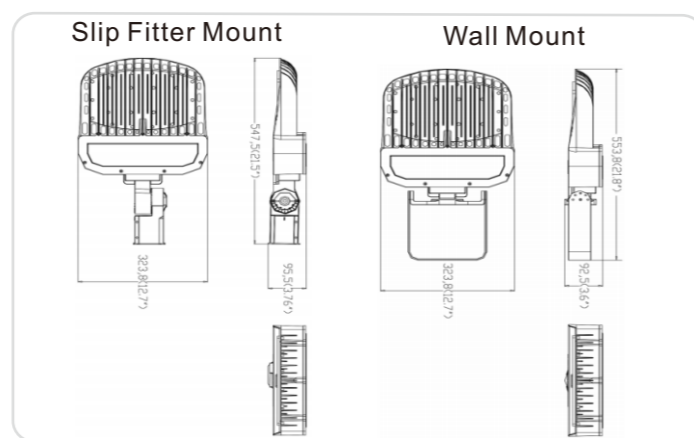
Light Distribution Curve



Product description

- High efficiency LED Driver, the wide range input voltage AC120-277V.
- Lumileds LED high luminous efficiency and long life.
- Cast aluminium design, better cooling and easy replacement, light quality, LED Tj<85°C.
- Excellent optical design, greatly improve the light utilization and evenness.
- Photocell control available (Accessories need to purchased separately).
- DLC 5.1

Structure Features



35W/50W/60W 100W/150W/200W 240W/350W/450W

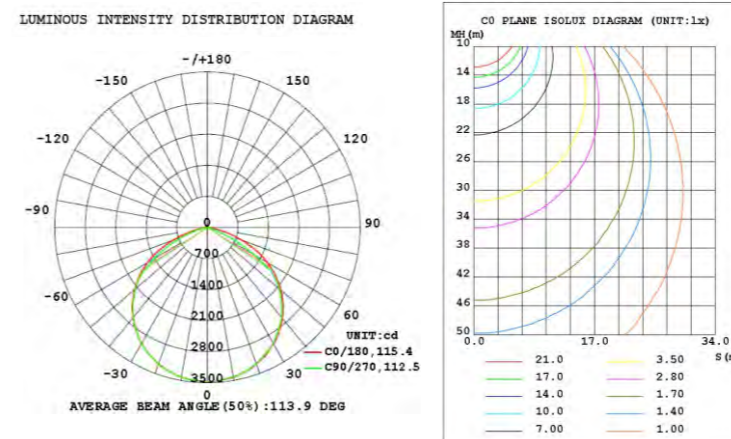
WSD-FL3556W27-345K-Z
WSD-FL101520W27-345K-Z
WSD-FL243545W27-345K-Z

Technical Parameters

PF: >0.98 CRI: Ra>80

L70: >70,000 hrs
LED Chips: SMD2835
Input Voltage: AC120-277V
Protection Level: Wet Location
Lighting Angle: 118°

Light Distribution Curve

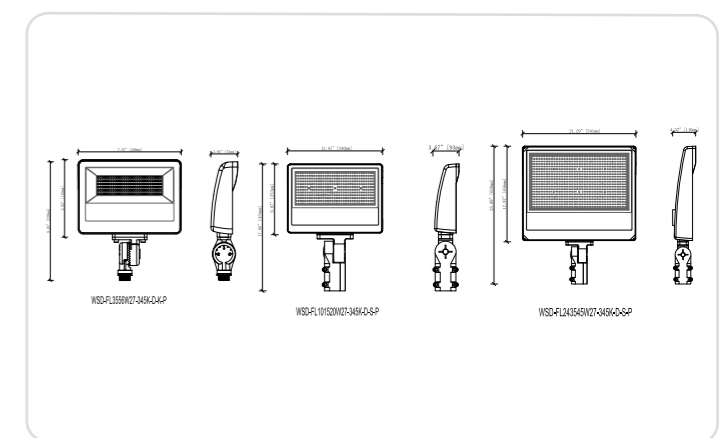


Product description

- High efficiency LED Driver, the wide range input voltage AC120-277V;
- Optical design, greatly improved the light utilization and evenness
- Cast aluminium design, better cooling and easy replacement, light quality, LED Tj<85°C.
- 1-10V dimming (10%-100%) standard
- CCT:3000-5000K
- 5 years manufacturer warranty
- Compatible with most Lutron and Leviton dimmers

Power	CCT	Luminous Flux
28W	3000K/4000K/5000K	4636/4808/4736LM
42W	3000K/4000K/5000K	6069/6393/6326LM
56W	3000K/4000K/5000K	7486/7887/7802LM
70W	3000K/4000K/5000K	9166/9808/9541LM
48W	3000K/4000K/5000K	6721/6990/7023LM
72W	3000K/4000K/5000K	9853/10447/10427LM
96W	3000K/4000K/5000K	12617/13422/13134LM
120W	3000K/4000K/5000K	15794/16767/16333LM

Structure Features





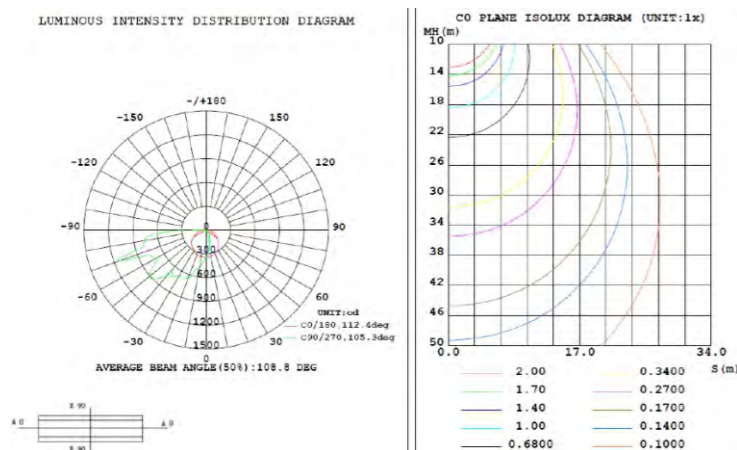
10W/15W

WSD-WP01W27-XXK-Z-P (Premium)
WSD-WP015W27-XXK-Z-P (Premium)

Technical Parameters

Luminous Flux: 1450LM/2100LM
PF: >0.95 CRI: Ra>70
L70: >70,000 hrs
LED Chips: SMD2835
Input Voltage: AC120-277V
Protection Level: Wet Location
Lighting Angle: 112.4° *105.3°

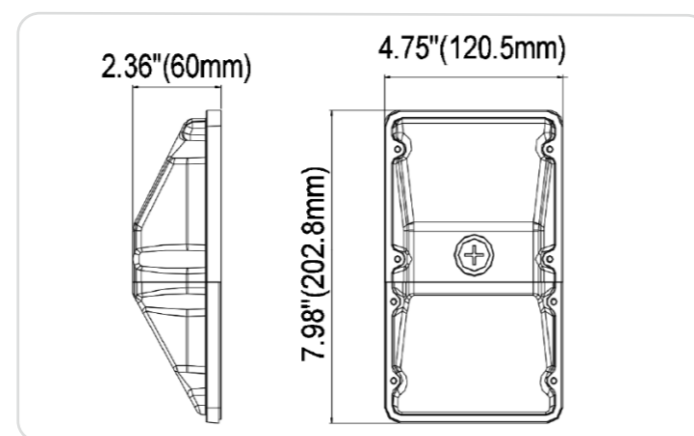
Light Distribution Curve



Product description

- Optical design, greatly improved the light utilization and evenness.
- High efficiency LED Driver, the wide range input voltage AC120-277V;
- Cast aluminium design, better cooling and easy replacement, light quality, LED Tj<85°C .
- The 1-10V Dimming typel.
- Photocell Control.
- DLC 5.1

Structure Features



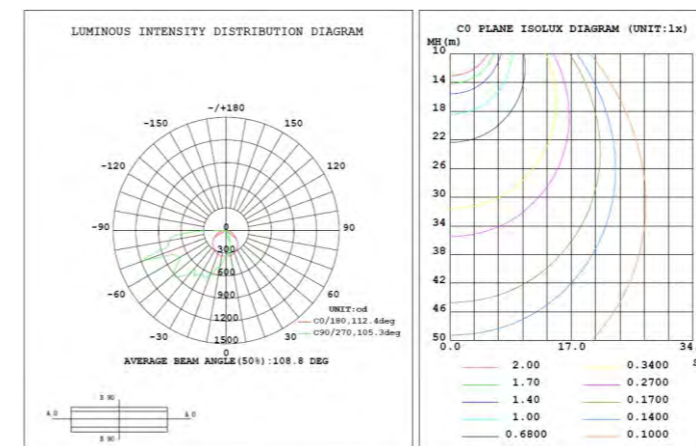
15W/25W

WSD-WP015W27-345K-Z-Y (Premium)
WSD-WP025W27-345K-Z-Y (Premium)

Technical Parameters

PF: >0.95 CRI: Ra>70
L70: >70,000 hrs
LED Chips: SMD2835
Input Voltage: AC120-277V
Protection Level: Wet Location
Lighting Angle: 112.4° *105.3°

Light Distribution Curve

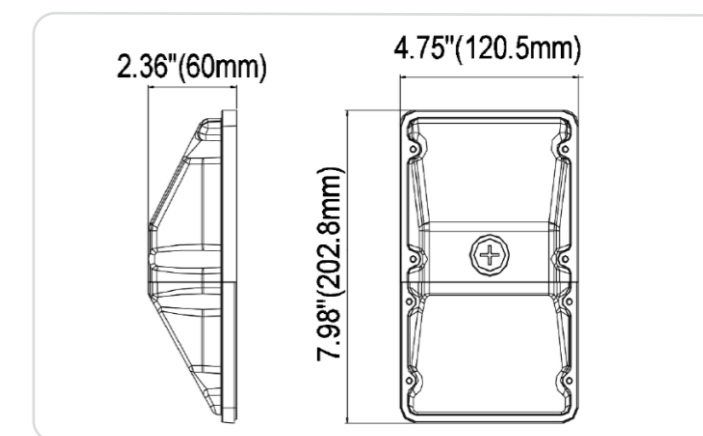


Product description

- Optical design, greatly improved the light utilization and evenness.
- High efficiency LED Driver, the wide range input voltage AC120-277V;
- Cast aluminium design, better cooling and easy replacement, light quality, LED Tj<85°C .
- The 1-10V Dimming typel.
- Photocell Control.
- DLC 5.1

Power	CCT	Luminous Flux
15W	3000K/4000K/5000K	2130/2246/2218LM
25W	3000K/4000K/5000K	3423/3656/3571LM

Structure Features





4.8W

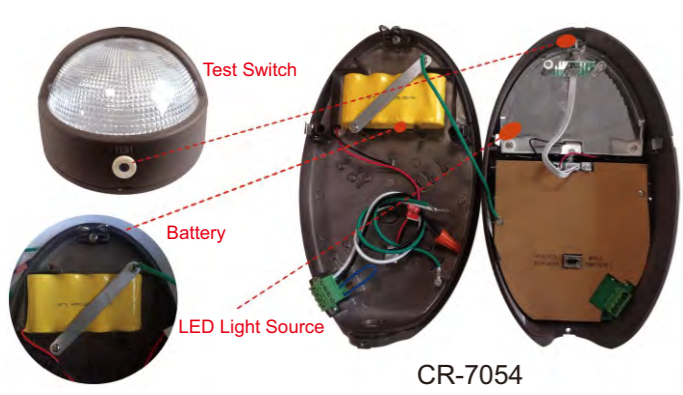
CR-7054

Technical Parameters

Recharge Time: 24 hrs
Warranty: 2 Year Limited
Conversion Time: < 0.2 Second
Input Voltage: AC120-277V
Protection Level: IP65
Emergency Duration: 90 Mins

Power	CCT	Luminous Flux
4.8W	6500K	1000LM

Product Display

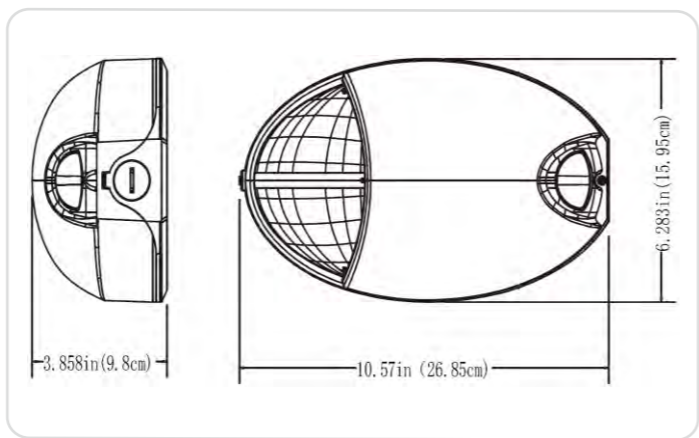


CR-7054

Product description

- Emergency LED Mini Wall Pack Light accord with US STANDARD - Pressure casting-molded, flame-retardant and high impact thermoplastic housing. This exit sign with design is great for placing on doorways, isles, restaurant, office building and warehouses.

Structure Features



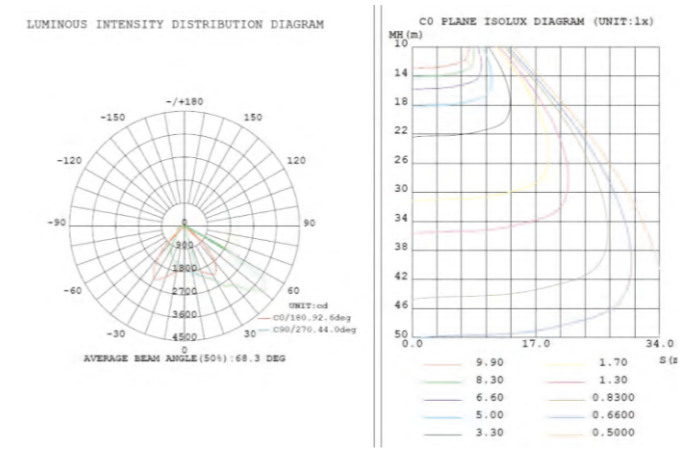
45W/70W

WSD-BWP45W27-XXK-Z-P-G2 (Premium)
WSD-BWP07W27-XXK-Z-P-G2 (Premium)

Technical Parameters

Luminous Flux: 6300LM/9500LM
PF: >0.95 CRI: Ra>70
L70: >70,000 hrs
LED Chips: SMD2835
Input Voltage: AC120-277V
Protection Level: Wet Location
Lighting Angle: 45*90°

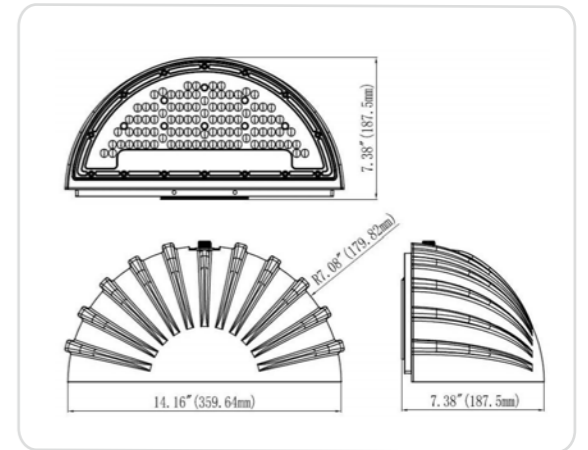
Light Distribution Curve



Product description

- Lumileds LED high luminous efficiency and long life.
- High efficiency LED Driver, the wide range input voltage AC120-277V;
- Cast aluminium design, better cooling and easy replacement, light quality, LED Tj<85°C.
- Excellent optical design, greatly improve the light utilization and evenness.
- Photocell control.
- DLC 5.1

Structure Features





45W

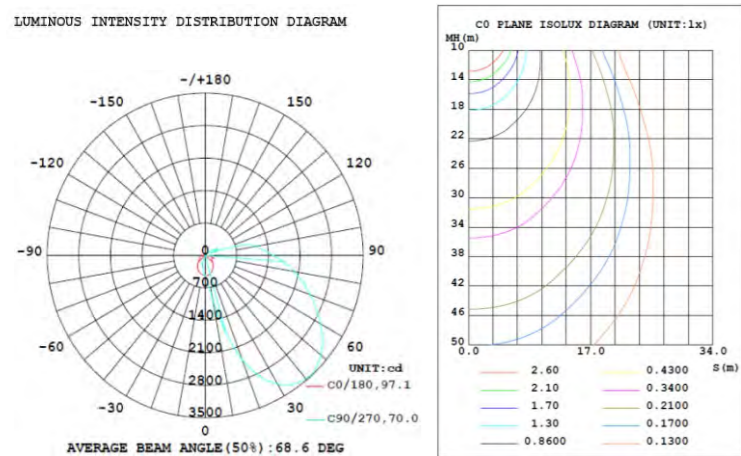
WSD-HWP45W27-XXK-Z-P-G2(Premium)

Technical Parameters

Luminous Flux: 6600LM
PF: >0.95 CRI: Ra>70

L70: >70,000 hrs
LED Chips: SMD2835
Input Voltage: AC120-277V
Protection Level: Wet Location
Lighting Angle: 97.1°*70°

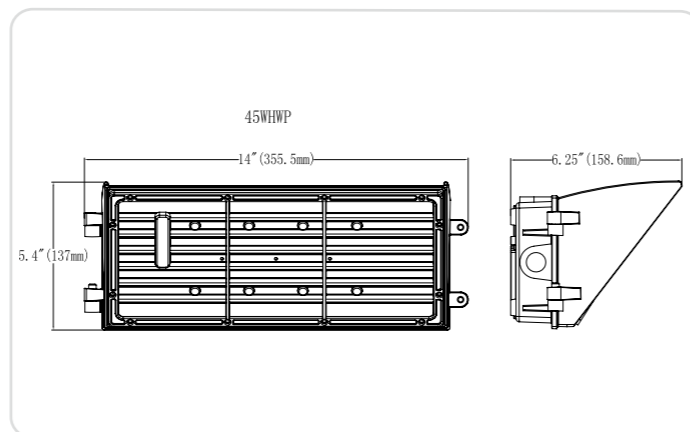
Light Distribution Curve



Product description

- Lumileds LED, high luminous efficiency and long working life.
- High efficiency LED Driver, the wide range input voltage AC120-277V.
- Cast aluminium design, better cooling and easy replacement, light quality, LED Tj<85°C.
- Excellent optical design, greatly improve the light utilization and evenness.
- The 1-10V Dimming.
- Photocell control.
- DLC 5.1

Structure Features





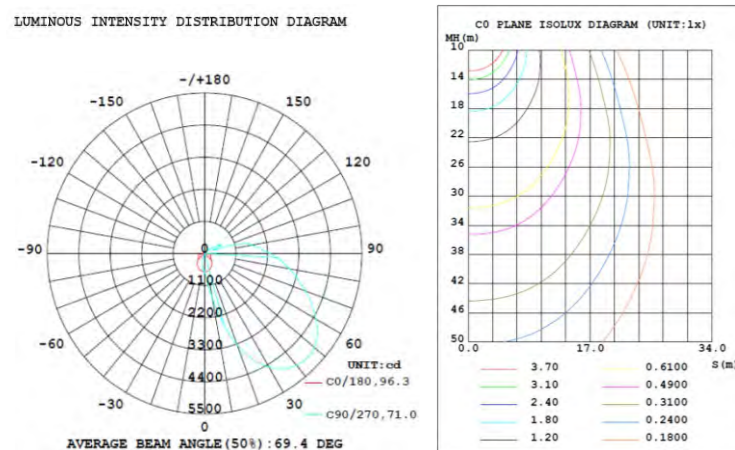
70W

WSD-HWP07W27-XXX-Z-P-G2(Premium)
WSD-HWP07W48-XXX-Z(Premium)

Technical Parameters

Luminous Flux: 10100LM
PF: >0.95 CRI: Ra>70
L70: >70,000 hrs
LED Chips: SMD2835
Input Voltage: AC120-277V or AC277-480V
Protection Level: Wet Location
Lighting Angle: 96.3°*71°

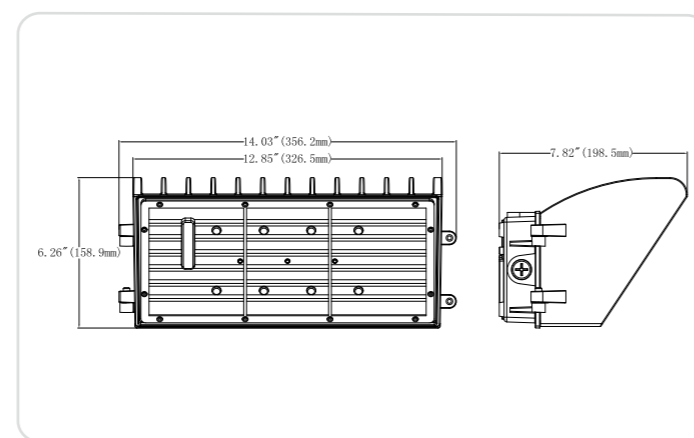
Light Distribution Curve



Product description

- Lumileds LED, high luminous efficiency and long working life.
- High efficiency LED Driver, the wide range input voltage AC120-277V or AC277-480V.
- Cast aluminium design, better cooling and easy replacement, light quality, LED Tj<85°C.
- Excellent optical design, greatly improve the light utilization and evenness.
- The 1-10V Dimming
- Photocell control.
- DLC 5.1

Structure Features



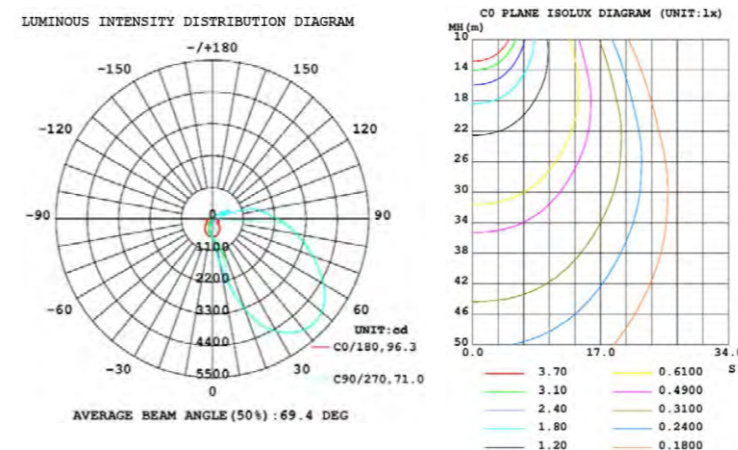
28W/42W/56W/70W

WSD-HWP2842567W27-345K-Z-Y (Premium)

Technical Parameters

PF: >0.98 CRI: Ra>70
L70: >70,000 hrs
LED Chips: SMD2835
Input Voltage: AC120-277V
Protection Level: Wet Location
Lighting Angle: 96.3°*71°

Light Distribution Curve

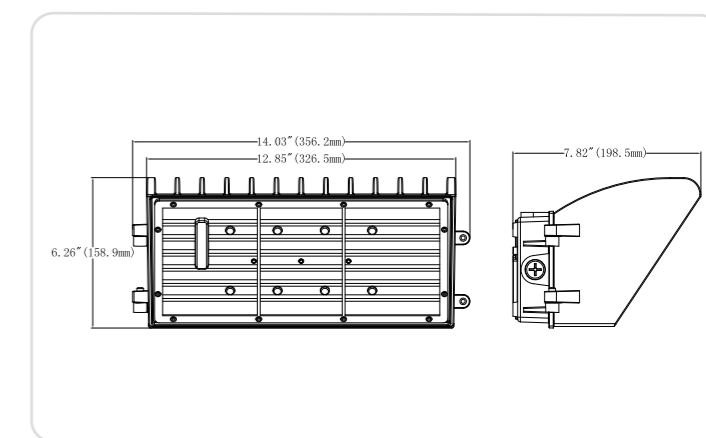


Product description

- Optical design, greatly improved the light utilization and evenness.
- High efficiency LED Driver, voltage AC120-277.
- Cast aluminium design, better cooling and easy replacement, light quality, LED Tj<85°C.
- Adjustable power, adjustable color temperature.
- The 1-10V Dimming type is continuous.
- Photocell control.
- DLC 5.1

Power	CCT	Luminous Flux
28W	3000K/4000K/5000K	4483LM
42W	3000K/4000K/5000K	5896LM
56W	3000K/4000K/5000K	7740LM
70W	3000K/4000K/5000K	9753LM

Structure Features





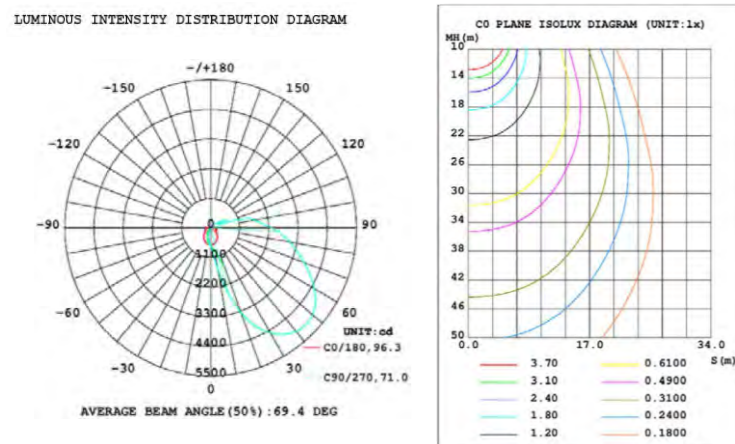
100W/120W

WSD-HWP10W27-XXK-Z-Y-G2 (Premium)
WSD-HWP12W27-XXK-Z-Y-G2 (Premium)
WSD-HWP10W48-XXK-Z-G2 (Premium)
WSD-HWP12W48-XXK-Z-G2 (Premium)

Technical Parameters

Luminous Flux: 14300LM/17000LM
14000LM/17000LM
PF: >0.95 CRI: Ra>70
L70: >70,000 hrs
LED Chips: Lumileds LED
Input Voltage: AC120-277V or AC277-480V
Protection Level: Wet Location
Lighting Angle: 96.3° *71°

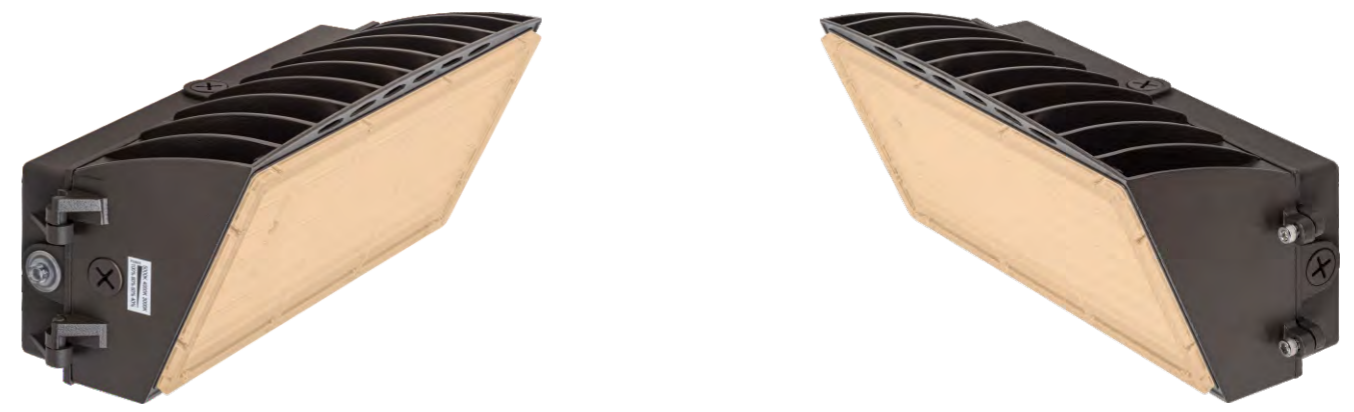
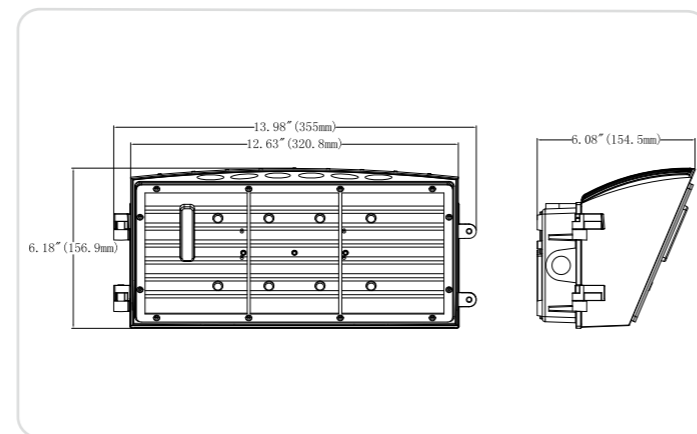
Light Distribution Curve



Product description

- Lumileds LED high luminous efficiency and long life.
- High efficiency LED Driver, the wide range input voltage AC120-277V or AC277-480V;
- Cast aluminium design, better cooling and easy replacement, light quality, LED Tj<85°C .
- Excellent optical design, greatly improve the light utilization and evenness.
- Photocell Control.
- DLC 5.1

Structure Features



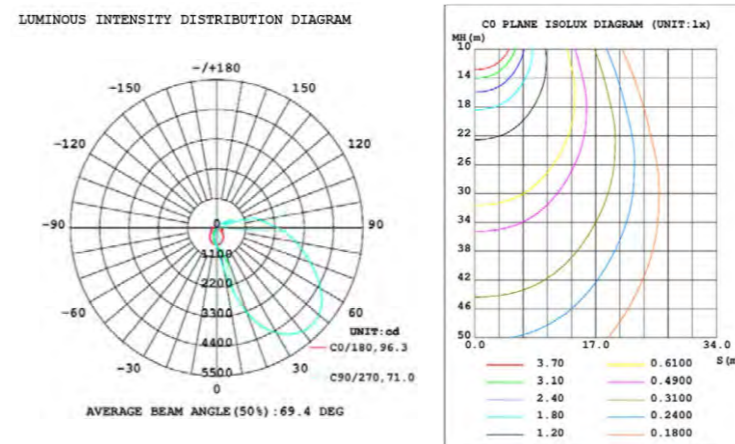
48W/72W/96W/120W

WSD-HWP48729612W27-45K-Z-Y (Premium)

Technical Parameters

PF: >0.95 CRI: Ra>70
L70: >70,000 hrs
LED Chips: SMD2835
Input Voltage: AC120-277V.
Protection Level: Wet Location
Lighting Angle: 96.3° *71°

Light Distribution Curve

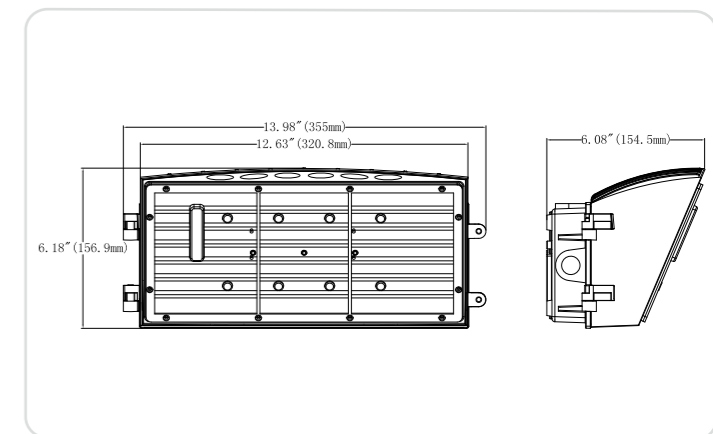


Product description

- Optical design, greatly improved the light utilization and evenness.
- High efficiency LED Driver, the wide range input voltage AC120-277V;
- Cast aluminium design, better cooling and easy replacement, light quality, LED Tj<85°C .
- Adjustable power, adjustable color temperature.
- The 1-10V Dimming type is continuous.
- Photocell Control.
- DLC 5.1

Power	CCT	Luminous Flux
48W	4000K/5000K	7496/7609LM
72W	4000K/5000K	10985/11004LM
96W	4000K/5000K	14162/14075LM
120W	4000K/5000K	17226/16994LM

Structure Features





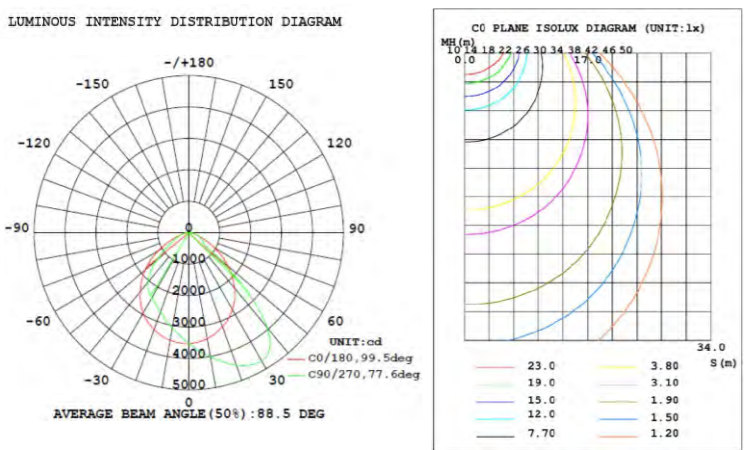
45W/70W

WSD-FWP45W27-XXK-Z-P-G2 (Premium)
WSD-FWP07W27-XXK-Z-P-G2 (Premium)

Technical Parameters

Luminous Flux: 6800LM
10500LM
PF: >0.98 CRI: Ra>70
L70: >70,000 hrs
LED Chips: SMD2835
Input Voltage: AC120-277V
Protection Level: Wet Location/IP66
Lighting Angle: 99.5° *77.6°

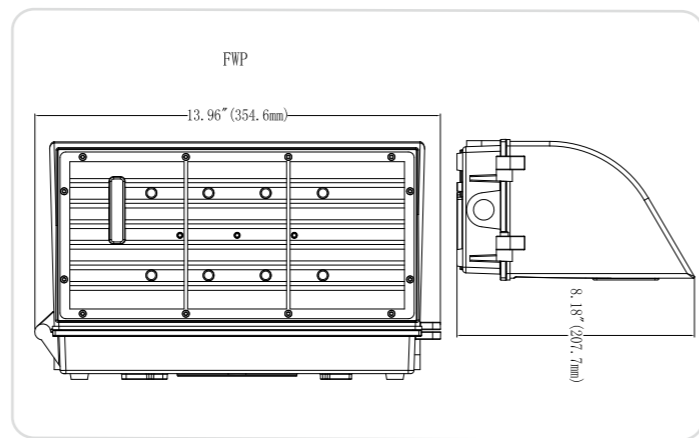
Light Distribution Curve



Product description

- Lumileds LED high luminous efficiency and long life.
- High efficiency LED Driver, the wide range input voltage AC120-277V;
- Cast aluminium design, better cooling and easy replacement, light quality, LED Tj<85°C .
- Adjustable power, adjustable color temperature.
- The 1-10V Dimming type is continuous.
- Photocell Control.
- DLC 5.1

Structure Features



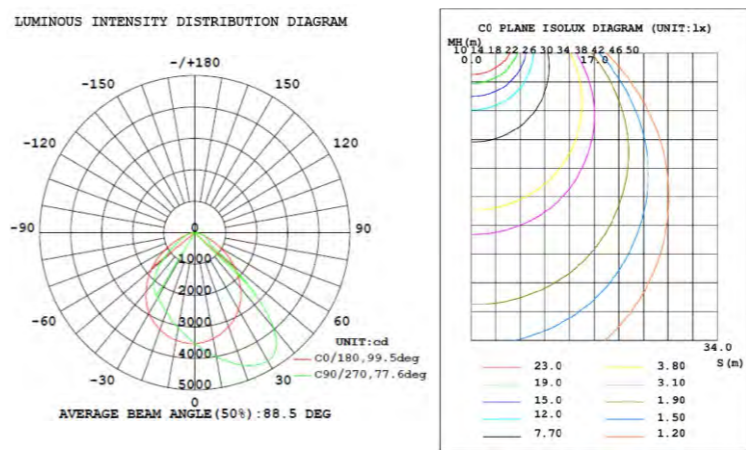
28W/42W/56W/70W

WSD-FWP2842567W27-345K-Z-P (Premium)

Technical Parameters

PF: >0.98 CRI: Ra>70
L70: >70,000 hrs
LED Chips: SMD2835
Input Voltage: AC120-277V
Protection Level: Wet Location
Lighting Angle: 99.5° *77.6°

Light Distribution Curve

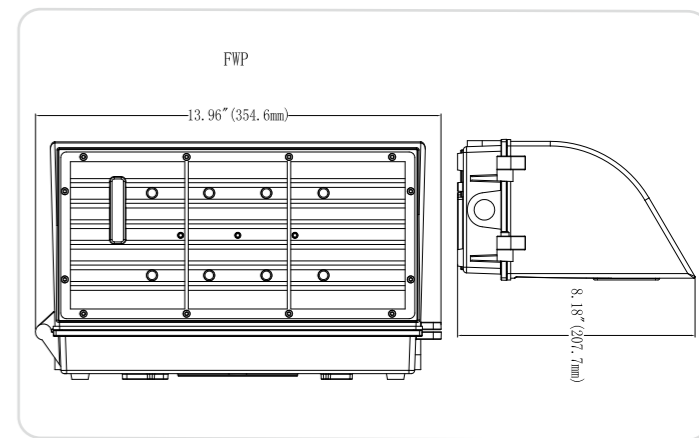


Product description

- Lumileds LED high luminous efficiency and long life.
- High efficiency LED Driver, the wide range input voltage AC120-277V;
- Cast aluminium design, better cooling and easy replacement, light quality, LED Tj<85°C .
- Adjustable power, adjustable color temperature.
- The 1-10V Dimming type is continuous.
- Photocell Control.
- DLC 5.1

Power	CCT	Luminous Flux
28W	3000K/4000K/5000K	4116LM
42W	3000K/4000K/5000K	6174LM
56W	3000K/4000K/5000K	7840LM
70W	3000K/4000K/5000K	9800LM

Structure Features







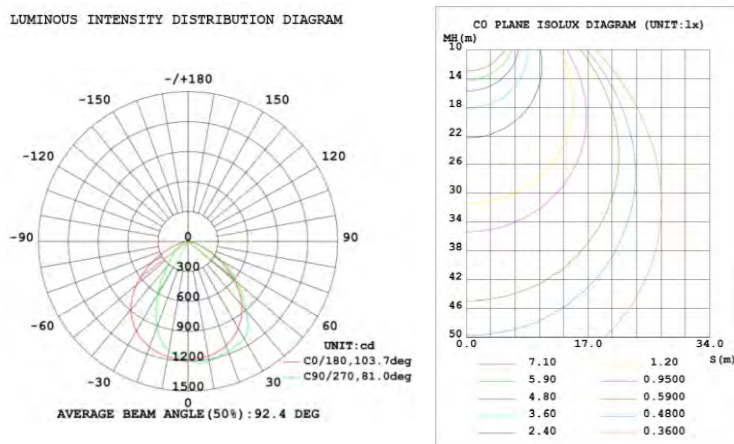
20W/45W/70W/100W

WSD-SWP02W27-XXK-Z-P-G2 (Premium)
 WSD-SWP45W27-XXK-Z-P-G2 (Premium)
 WSD-SWP07W27-XXK-Z-P-G2 (Premium)
 WSD-SWP10W27-XXK-Z-P-G2 (Premium)

Technical Parameters

Luminous Flux: 2800LM/6000LM
 9800LM/13700LM
 PF: >0.98 CRI: Ra>70
 L70: >70,000 hrs
 LED Chips: SMD2835
 Input Voltage: AC120-277V
 Protection Level: Wet Location
 Lighting Angle: 92°

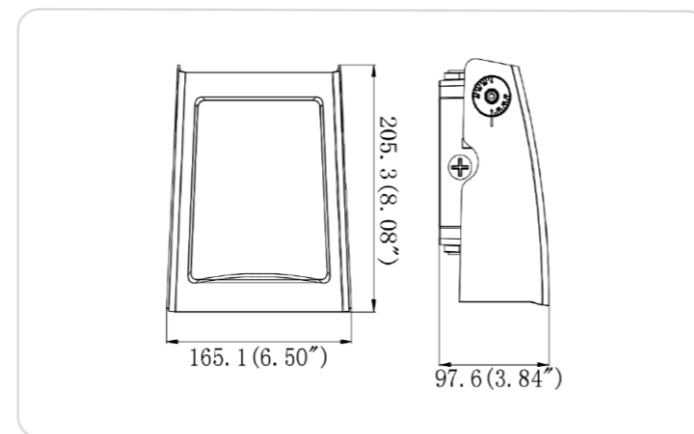
Light Distribution Curve



Product description

- Lumileds LED high luminous efficiency and long life.
- High efficiency LED Driver, the wide range input voltage AC120-277V;
- Cast aluminium design, better cooling and easy replacement, light quality, LED Tj<85°C .
- Excellent optical design, greatly improve the light utilization and evenness.
- Photocell Control.
- DLC 5.1

Structure Features



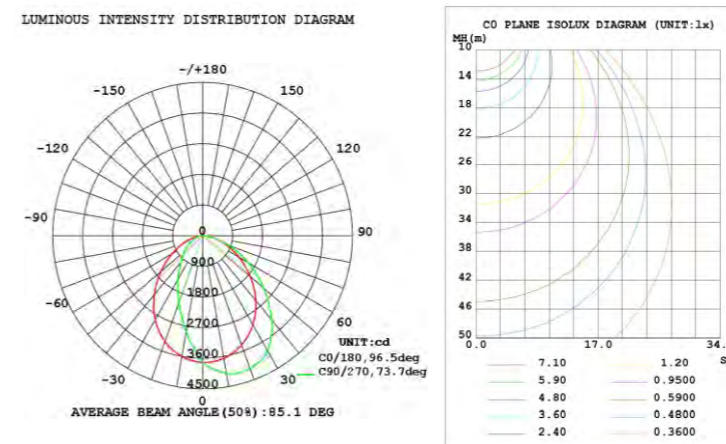
28W/42W/56W/70W

WSD-SWP2842567W27-45K-Z-P (Premium)

Technical Parameters

PF: >0.98 CRI: Ra>70
 L70: >70,000 hrs
 LED Chips: SMD2835
 Input Voltage: AC120-277V
 Protection Level: Wet Location
 Lighting Angle: 85°

Light Distribution Curve

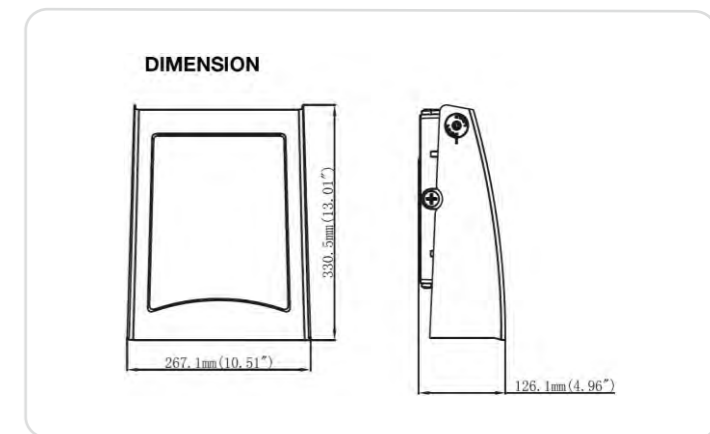


Product description

- Lumileds LED high luminous efficiency and long life.
- High efficiency LED Driver, the wide range input voltage AC120-277V;
- Cast aluminium design, better cooling and easy replacement, light quality, LED Tj<85°C .
- Excellent optical design, greatly improve the light utilization and evenness.
- Photocell control.
- 1-10V Dimming.
- DLC 5.1

Power	CCT	Luminous Flux
28W	4000K/5000K	4164/4211LM
42W	4000K/5000K	5550/5663LM
56W	4000K/5000K	6979/6970LM
70W	4000K/5000K	8592/8420LM

Structure Features





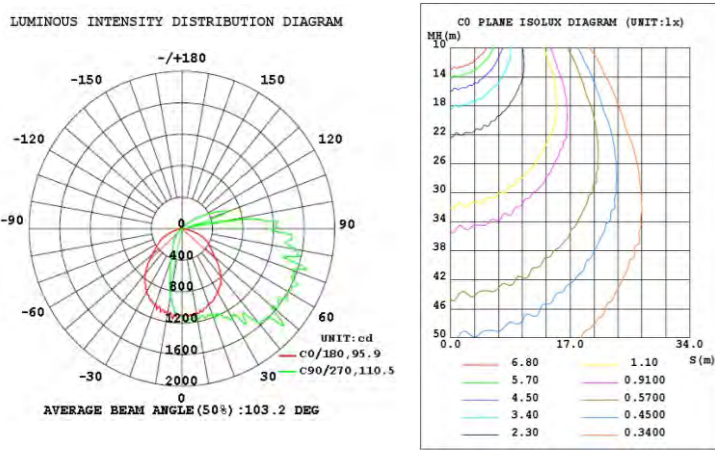
50W/70W/100W

WSD-GWP05W27-XXK-Z-P-G2 (Premium)
 WSD-GWP07W27-XXK-Z-P-G2 (Premium)
 WSD-GWP10W27-XXK-Z-P-G2 (Premium)

Technical Parameters

Luminous Flux: 6800LM/9600LM
 13600LM
 PF: >0.95 CRI: Ra>70
 L70: >70,000 hrs
 LED Chips: SMD2835
 Input Voltage: AC120-277V
 Protection Level: Wet Location
 Lighting Angle: 102.8°*112.4°

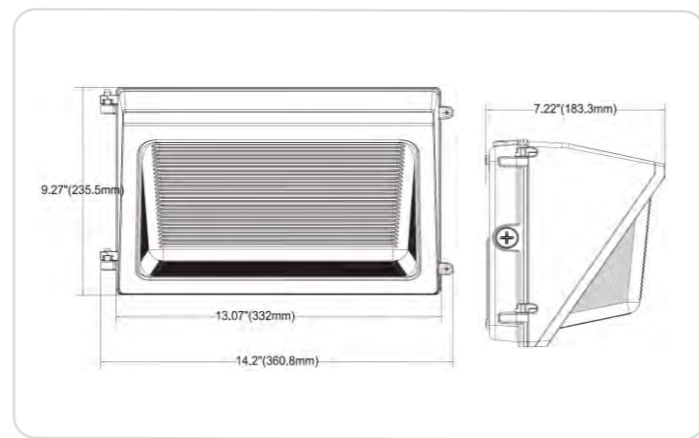
Light Distribution Curve



Product description

- Lumileds LED, high luminous efficiency and long working life .
- High efficiency LED Driver, the wide range input voltage AC120-277V;
- Die Cast aluminium design, better cooling and easy replacement, light quality, LED Tj<85°C .
- Excellent Optics design, greatly improve the light utilization and evenness.
- The 1-10V Dimming type is continuous.

Structure Features



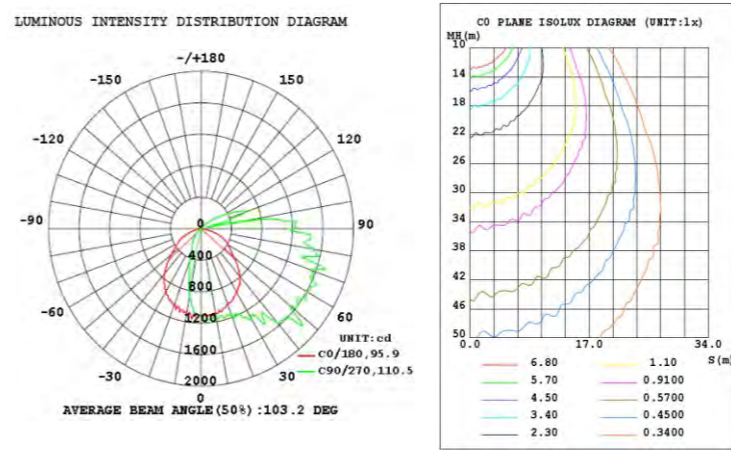
**28W/42W/56W/70W
48W/72W/96W/120W**

WSD-GWP2842567W27-345K-D-P-G2 (Premium)
 WSD-GWP48729612W27-345K-D-P-G2 (Premium)

Technical Parameters

PF: >0.95 CRI: Ra>70
 L70: >70,000 hrs
 LED Chips: SMD2835
 Input Voltage: AC120-277V
 Protection Level: Wet Location
 Lighting Angle: 96.2*110.5°/99.5*105.4°

Light Distribution Curve

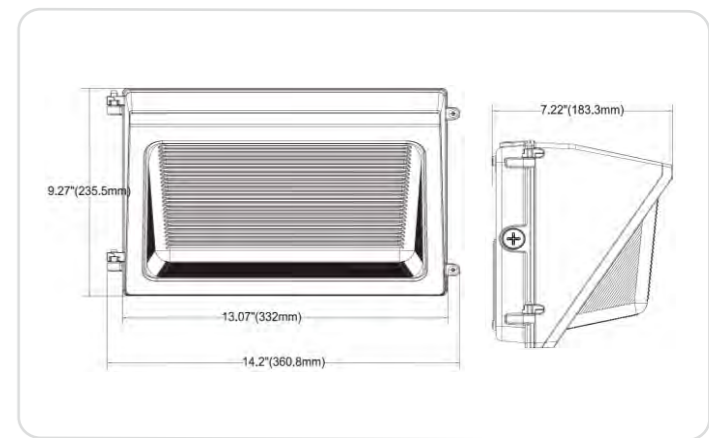


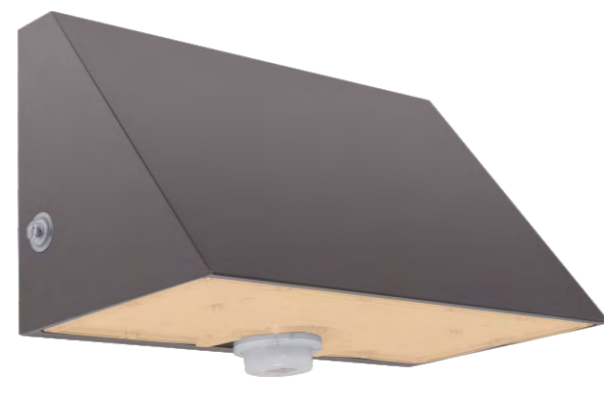
Product description

- Lumileds LED, high luminous efficiency and long working life .
- High efficiency LED Driver, the wide range input voltage AC120-277V;
- Die Cast aluminium design, better cooling and easy replacement, light quality, LED Tj<85°C .
- Excellent Optics design, greatly improve the light utilization and evenness.
- The 1-10V Dimming type is continuous.

Power	CCT	Luminous Flux
28W	3000K/4000K/5000K	4636/4808/4736LM
42W	3000K/4000K/5000K	6069/6393/6326LM
56W	3000K/4000K/5000K	7486/7887/7802LM
70W	3000K/4000K/5000K	9166/9808/9541LM
48W	3000K/4000K/5000K	6721/6990/7023LM
72W	3000K/4000K/5000K	9853/10447/10427LM
96W	3000K/4000K/5000K	12617/13422/13134LM
120W	3000K/4000K/5000K	15794/16767/16333LM

Structure Features





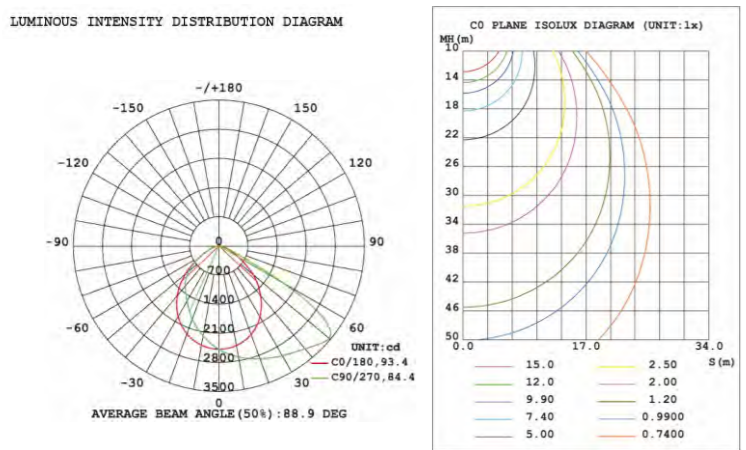
45W/70W

WSD-AFW45W27-XXK-Z-TN-P-E[Blank,M](Premium)
 WSD-AFW07W27-XXK-Z-TN-P-E[Blank,M](Premium)

Technical Parameters

Luminous Flux: 7100LM/11250LM
 PF: >0.9 CRI: Ra>70
 L70: >70,000 hrs
 LED Chips: SMD2835
 Input Voltage: AC120-277V
 Protection Level: Wet Location
 Lighting Angle: Type III, Type IV, Type V.

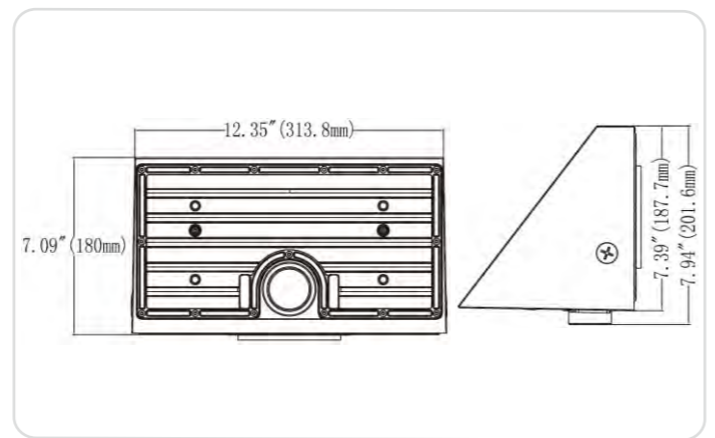
Light Distribution Curve



Product description

- LED high luminous efficiency and long working life.
- High efficiency LED Driver, the wide range input voltage AC120-277V;
- Die-cast aluminum cooling design, high quality and better cooling for LED Tj<85°C .
- Excellent optical design, greatly improve the light utilization and evenness.
- Photocell (Standard), motion sensor control available(Accessories need to purchased separately)
- DLC 5.1

Structure Features



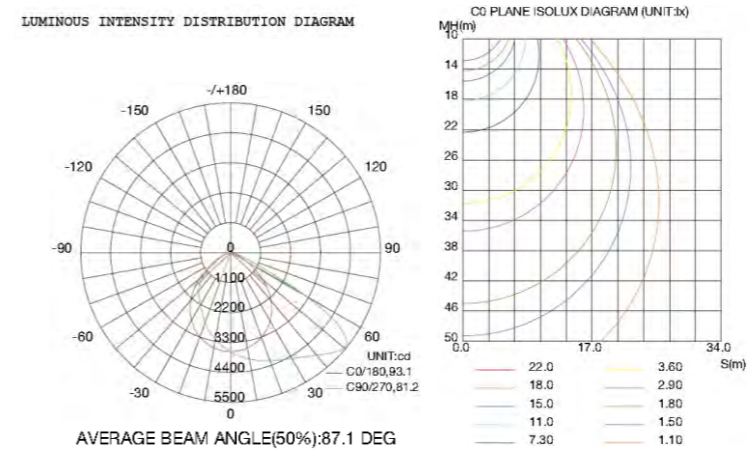
**28W/42W/56W/70W
48W/72W/96W/120W**

WSD-AFW2842567W27-345K-D-TN-P-M(Premium)
 WSD-AFW48729612W27-45K-D-TN-P-M(Premium)

Technical Parameters

PF: >0.9 CRI: Ra>70
 L70: >70,000 hrs
 LED Chips: SMD2835
 Input Voltage: AC120-277V
 Protection Level: Wet Location
 Lighting Angle: Type III, Type IV, Type V.

Light Distribution Curve

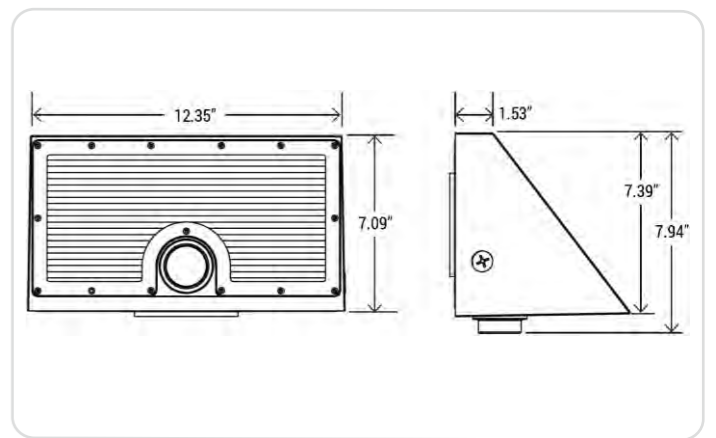


Product description

- LED high luminous efficiency and long working life.
- High efficiency LED Driver, the wide range input voltage AC120-277V;
- Die-cast aluminum cooling design, high quality and better cooling for LED Tj<85°C .
- Excellent optical design, greatly improve the light utilization and evenness.
- Photocell (Standard), motion sensor control available(Accessories need to purchased separately)
- DLC 5.1

Power	CCT	Luminous Flux
28W	3000K/4000K/5000K	4862/5210/5288LM
42W	3000K/4000K/5000K	6526/7046/7049LM
56W	3000K/4000K/5000K	8274/8900/8811LM
70W	3000K/4000K/5000K	10197/11155/10867LM
48W	4000K/5000K	7759/7814LM
72W	4000K/5000K	11257/11250LM
96W	4000K/5000K	14447/14337LM
120W	4000K/5000K	17147/16882LM

Structure Features





12W/18W/24W/30W

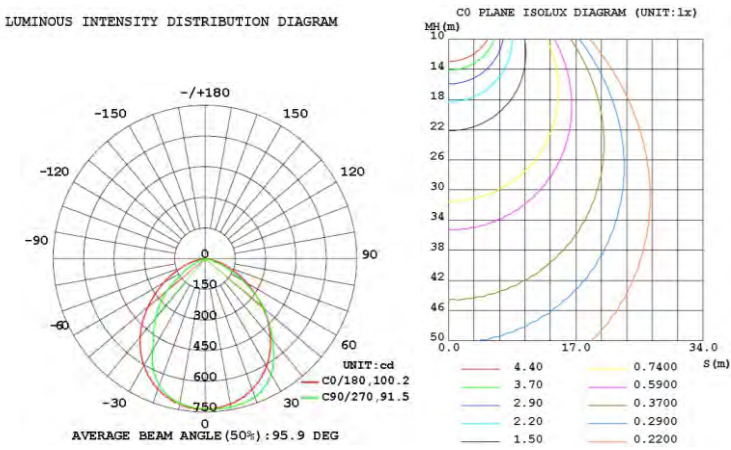
WSD-AFW12182430W27-345K-Z-Y-E[Blank,M]
(Premium)

Technical Parameters

PF: >0.9 CRI: Ra>70

L70: >70,000 hrs
Cable: 3 core, 18AWG (0.3m)
Input Voltage: AC120-277V
Protection Level: Wet Location
Lighting Angle: 100.4°*91.6°

Light Distribution Curve

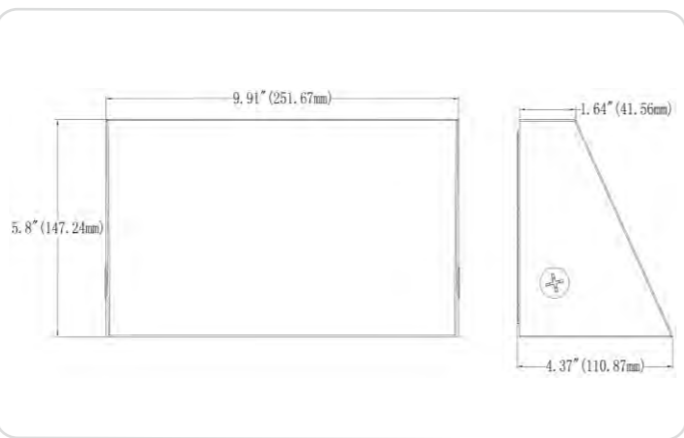


Product description

- LED high luminous efficiency and long working life.
- High efficiency LED Driver, the wide range input voltage AC120-277V;
- Die-cast aluminum cooling design, high quality and better cooling for LED $T_j < 85^\circ\text{C}$.
- Excellent optical design, greatly improve the light utilization and evenness.
- Photocell (Standard), Wireless bluetooth system and Motion sensor control available (Optional)
- The 1-10V Dimming type is continuous.

Power	CCT	Luminous Flux
12W	3000K/4000K/5000K	1603/1663/1675LM
18W	3000K/4000K/5000K	2291/2413/2411LM
24W	3000K/4000K/5000K	2926/3102/3055LM
30W	3000K/4000K/5000K	3548/3779/3688LM

Structure Features





90W/120W



150W/200W



95W/120W 150W/200W

- WSD-CP95W27-XXK-Z-E[Blank,M]-G3 (Premium)
- WSD-CP120W27-XXK-Z-E[Blank,M]-G3 (Premium)
- WSD-CP150W27-XXK-Z-E[Blank,M]-G2 (Premium)
- WSD-CP200W27-XXK-Z-E[Blank,M]-G2 (Premium)

Technical Parameters

Luminous Flux: 11800LM/16200LM

PF: >0.95/0.98 CRI: Ra>70

L70: >70,000 hrs

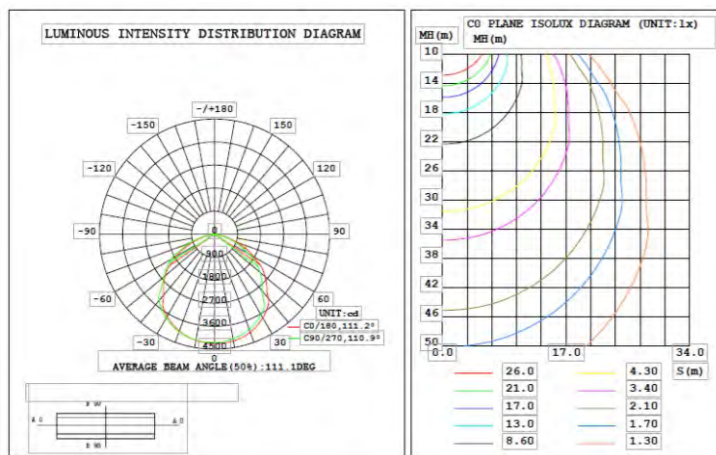
LED Chips: SMD2835

Input Voltage: AC120-277V

Protection Level: Wet Location/IP65

Lighting Angle: 111°

Light Distribution Curve

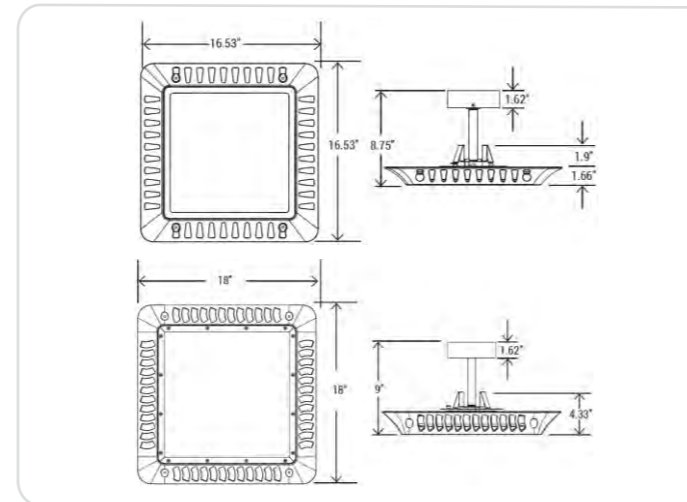


Product description

- Lumileds LED high luminous efficiency and long life.
- High efficiency LED Driver, the wide range input voltage AC120-277V;
- Cast aluminium design, better cooling and easy replacement, light quality, LED $T_j < 85^\circ\text{C}$.
- Excellent optical design, greatly improve the light utilization and evenness.
- Motion sensor control available (Optional).
- DLC 5.1

Power	CCT	Luminous Flux
95W	4000K/5000K	12721LM
120W	4000K/5000K	16086LM
150W	4000K/5000K	21250LM
200W	4000K/5000K	28390LM

Structure Features





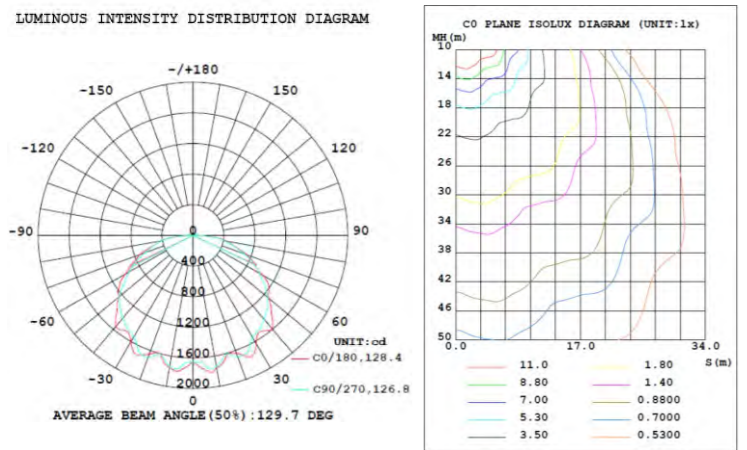
45W/65W

WSD-CP45W27-XXK-Z-E[Blank,M]-G2 (Premium)
WSD-CP65W27-XXK-Z-E[Blank,M]-G2 (Premium)

Technical Parameters

Luminous Flux: 8500LM
PF: >0.95 CRI: Ra>70
L70: >70,000 hrs
LED Chips: SMD2835
Input Voltage: AC120-277V.
Protection Level: Wet Location/IP66
Lighting Angle: 129.7°

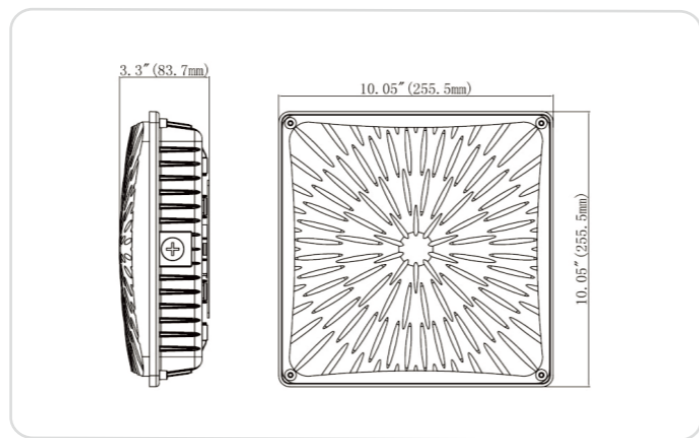
Light Distribution Curve



Product description

- Lumileds LED, high luminous efficiency and long working life.
- High efficiency LED Driver, the wide range input voltage AC120-277V.
- Die Cast aluminium cooling design, high quality and better cooling for LED Tj < 85°C.
- Excellent Optics design, greatly improve the light utilization and evenness.
- Motion Sensor Control Available (Accessories need to purchased separately)
- DLC 5.1

Structure Features



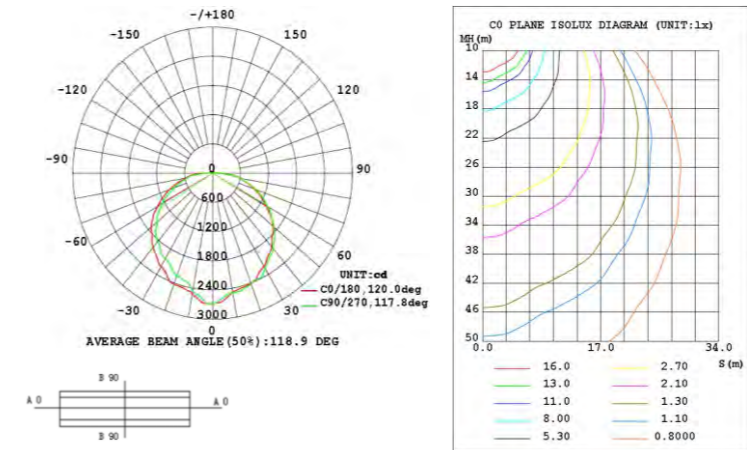
26W/39W/52W/65W

WSD-CP26395265W27-345K-Z-E[Blank,M] (Premium)

Technical Parameters

PF: >0.95 CRI: Ra>70
L70: >70,000 hrs
LED Chips: SMD2835
Input Voltage: AC120-277V
Protection Level: Wet Location/IP66
Lighting Angle: 118°

Light Distribution Curve

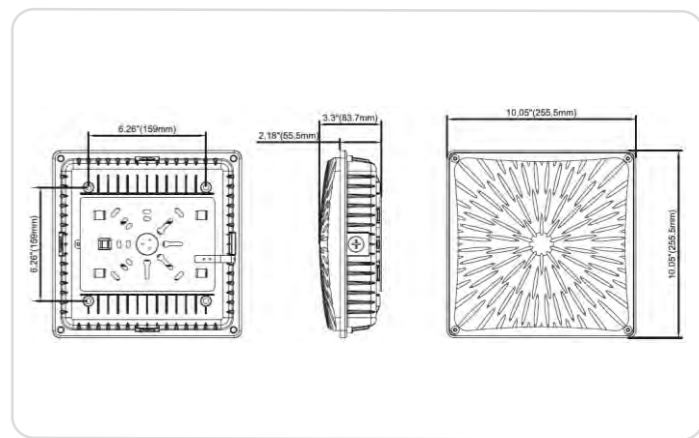


Product description

- Lumileds LED high luminous efficiency and long working life.
- High efficiency LED Driver, the wide range input voltage AC120-277V;
- Die Cast aluminium cooling design, high quality and better cooling for LED Tj < 85°C.
- Excellent optical design, greatly improve the light utilization and evenness.
- Motion sensor Control Available (Accessories need to purchased separately).
- DLC 5.1

Power	CCT	Luminous Flux
26W	4000K/5000K	3929/3927LM
39W	4000K/5000K	5575/5531LM
52W	4000K/5000K	7132/7021LM
65W	4000K/5000K	8525/8320LM

Structure Features





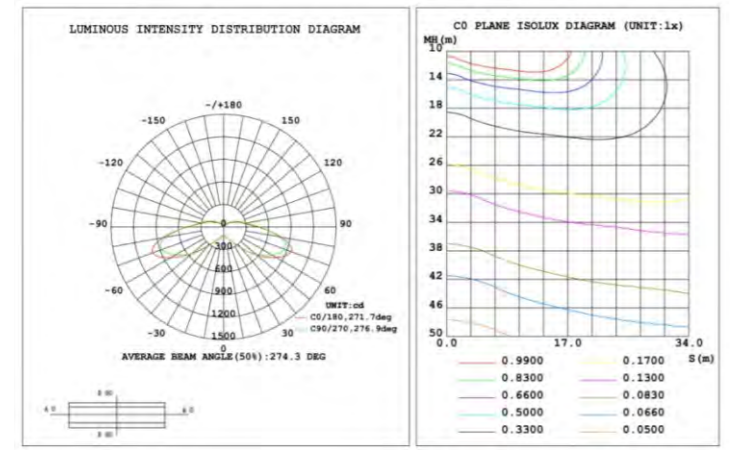
45W/70W

WSD-PGC45W27-XXK-Z-E[Blank,M]-G2 (Premium)
WSD-PGC07W27-XXK-Z-E[Blank,M]-G2 (Premium)

Technical Parameters

Luminous Flux: 5600LM/8800LM
PF: >0.95 CRI: Ra>70
L70: >70,000 hrs
LED Chips: SMD2835
Input Voltage: AC120-277V
Protection Level: Wet Location
Lighting Angle: 275°

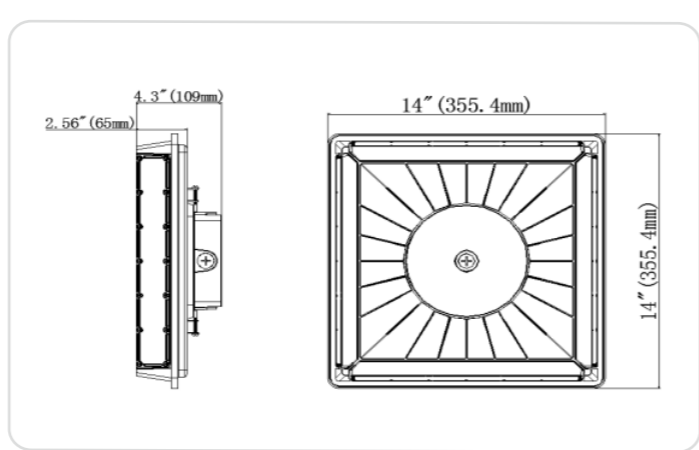
Light Distribution Curve



Product description

- Lumileds LED, high luminous efficiency and long working life.
- High efficiency LED Driver, the wide range input voltage AC120-277V.
- Die Cast aluminium cooling design, high quality and better cooling for LED Tj < 85°C.
- Excellent Optics design, greatly improve the light utilization and evenness.
- Motion Sensor Control Available (Accessories need to purchased separately).
- DLC 5.1

Structure Features



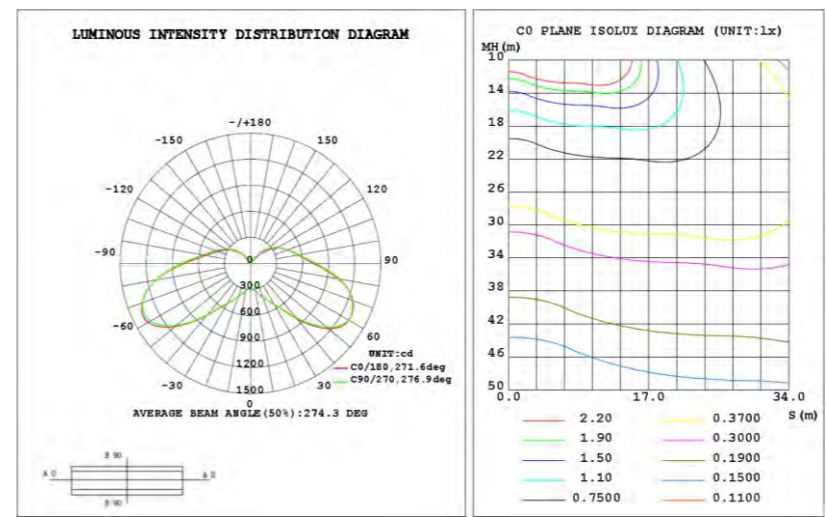
28W/42W/56W/70W

WSD-PGC2842567W27-45K-Z-E[Blank,M] (Premium)

Technical Parameters

PF: >0.95 CRI: Ra>70
L70: >70,000 hrs
LED Chips: SMD2835
Input Voltage: AC120-277V
Protection Level: Wet Location
Lighting Angle: 274°

Light Distribution Curve

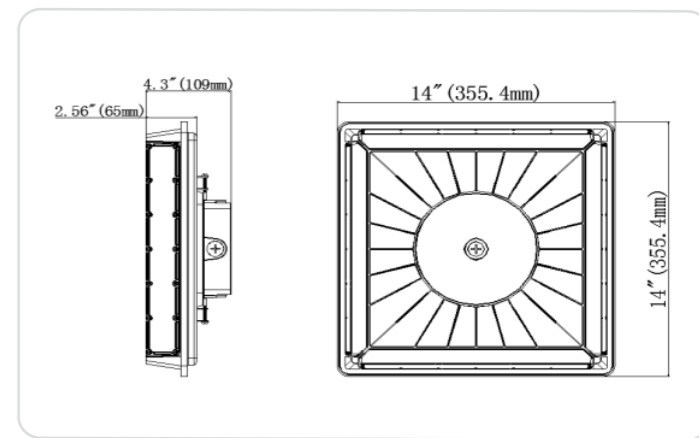


Product description

- Lumileds LED, high luminous efficiency and long working life.
- High efficiency LED Driver, the wide range input voltage AC120-277V.
- Die Cast aluminium cooling design, high quality and better cooling for LED Tj < 85°C.
- Excellent Optics design, greatly improve the light utilization and evenness.
- Wireless bluetooth system and Motion Sensor Control Available (Accessories need to purchased separately)
- DLC 5.1

Power	CCT	Luminous Flux
28W	4000K/5000K	4117/4195LM
42W	4000K/5000K	5500/5577LM
56W	4000K/5000K	6870/6929LM
70W	4000K/5000K	8353/8370LM

Structure Features





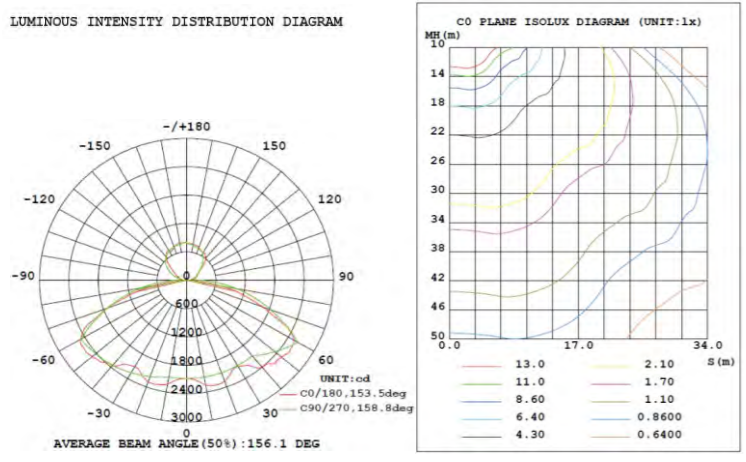
45W/70W/90W

WSD-UPGC45W27-XXK-Z-P-E[Blank,M] (Premium)
WSD-UPGC07W27-XXK-Z-P-E[Blank,M] (Premium)
WSD-UPGC09W27-XXK-Z-P-E[Blank,M] (Premium)

Technical Parameters

Luminous Flux: 6300LM/9800LM/12600LM
PF: >0.95 CRI: Ra>70
L70: >70,000 hrs
LED Chips: SMD2835
Input Voltage: AC120-277V
Protection Level: Wet Location
Lighting Angle: 156°

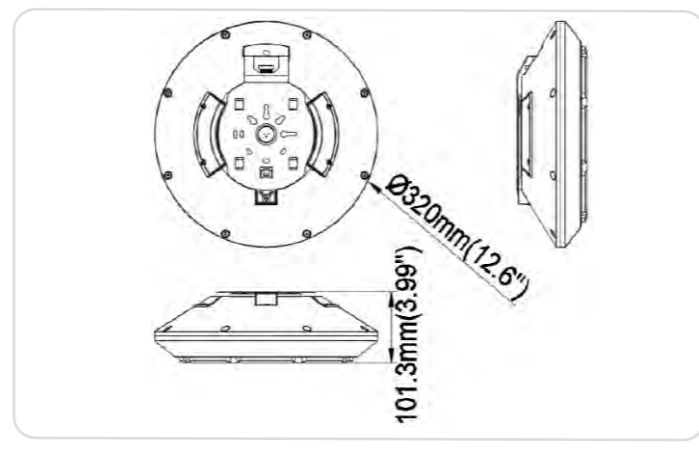
Light Distribution Curve



Product description

- Optical design, greatly improved the light utilization and evenness.
- High efficiency LED Driver, the wide range input voltage AC120-277V.
- Cast Aluminum design, better cooling, light quality, Tj < 85°C.
- Excellent efficacy ≥ 140lm/w
- DLC 5.1

Structure Features



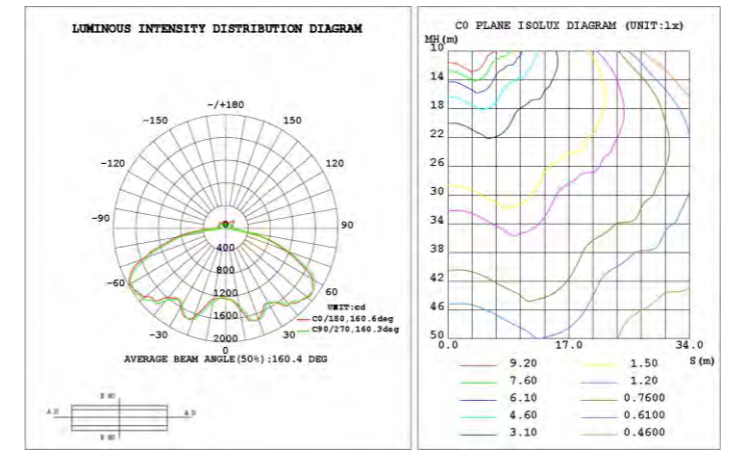
28W/42W/56W/70W

WSD-UPGC2842567W27-45K-Z-P-E[Blank,M] (Premium)

Technical Parameters

PF: >0.95 CRI: Ra>70
L70: >70,000 hrs
LED Chips: SMD2835
Input Voltage: AC120-277V
Protection Level: Wet Location
Lighting Angle: 156°

Light Distribution Curve

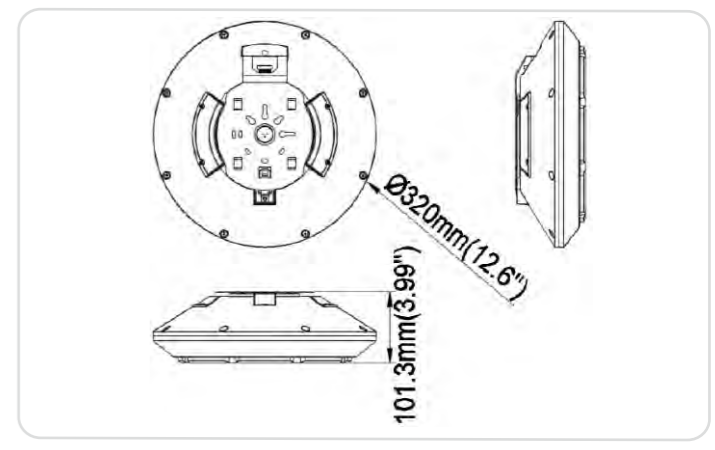


Product description

- Lumileds LED, high luminous efficiency and long working life.
- High efficiency LED Driver, the wide range input voltage AC120-277V.
- Die Cast aluminium cooling design, high quality and better cooling for LED Tj < 85°C.
- Excellent Optics design, greatly improve the light utilization and evenness.
- Wireless bluetooth system and Photocell Motion Sensor Control Available (Accessories need to purchased separately).
- DLC 5.1

Power	CCT	Luminous Flux
28W	4000K/5000K	4326/4246LM
42W	4000K/5000K	5818/5713LM
56W	4000K/5000K	7321/7137LM
70W	4000K/5000K	9080/8790LM

Structure Features





**100W/115W/135W
155W/185W/200W**

LHB-1.4F100/115/135W27-45K-G2
LHB-1.9F155/185/200W27-45K-G2

Technical Parameters

PF: >0.98 CRI: Ra>80

L70: >70,000 hrs

LED Chips: SEOUL

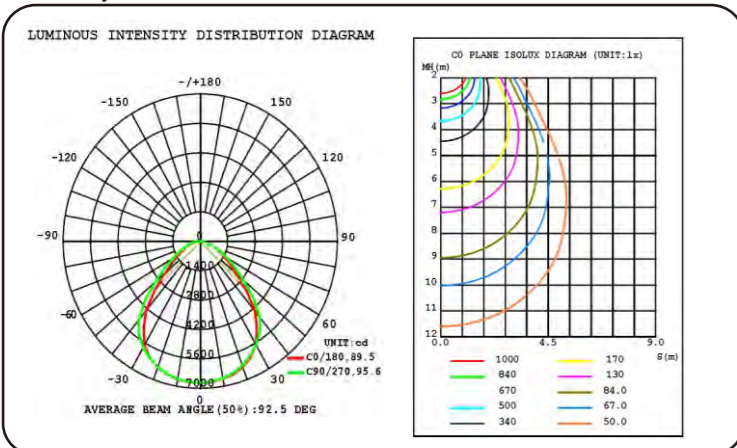
Input Voltage: AC120-277V

Protection Level: Damp

Lighting Angle: 93°

Light Distribution Curve

Photometry & Illuminance at a Distance:170W



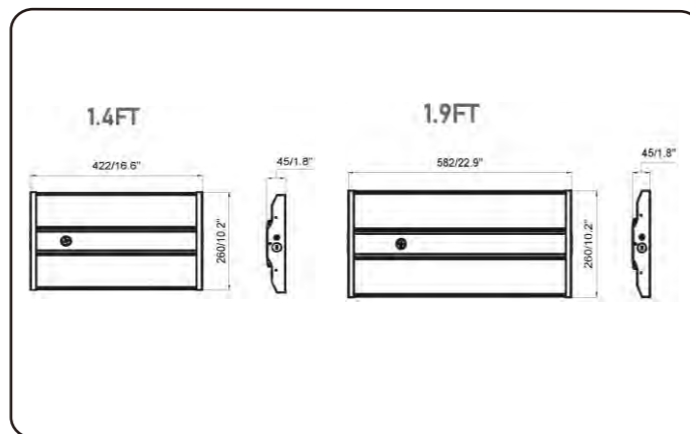
Product description

- WSD LED Linear High bay Light series can be widely used for Indoor Excellent for Offices, Hallways, Multipurpose Rooms ,Office Buildings, Conference Rooms,super market, store and many other applications.
- Bluetooth (Accessories need to purchased separately).

Power	CCT	Luminous Flux
100W	4000K/5000K	15923LM
115W	4000K/5000K	17709LM
135W	4000K/5000K	19917LM
155W	4000K/5000K	23444LM
185W	4000K/5000K	26623LM
200W	4000K/5000K	28094LM



Structure Features



**200W/230W/270W
270W/340W/400W**

LHB-2.6F200/230/270W27-45K-G2
LHB-3.7F270/340/400W27-45K-G2

Technical Parameters

PF: >0.98 CRI: Ra>80

L70: >70,000 hrs

LED Chips: SEOUL

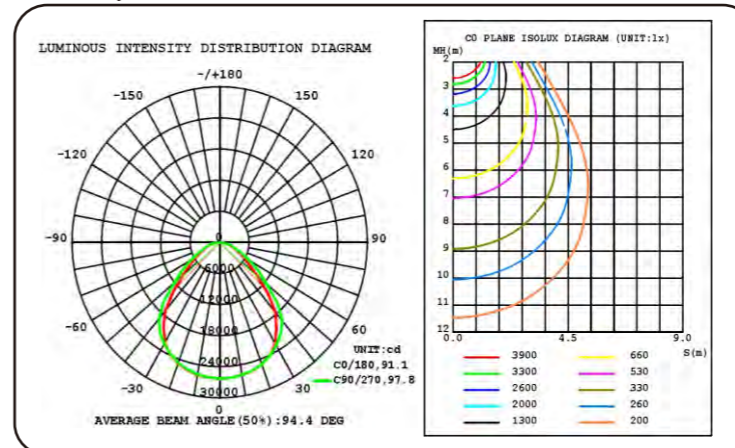
Input Voltage: AC120-277V

Protection Level: Damp

Lighting Angle: 93°

Light Distribution Curve

Photometry & Illuminance at a Distance:300W



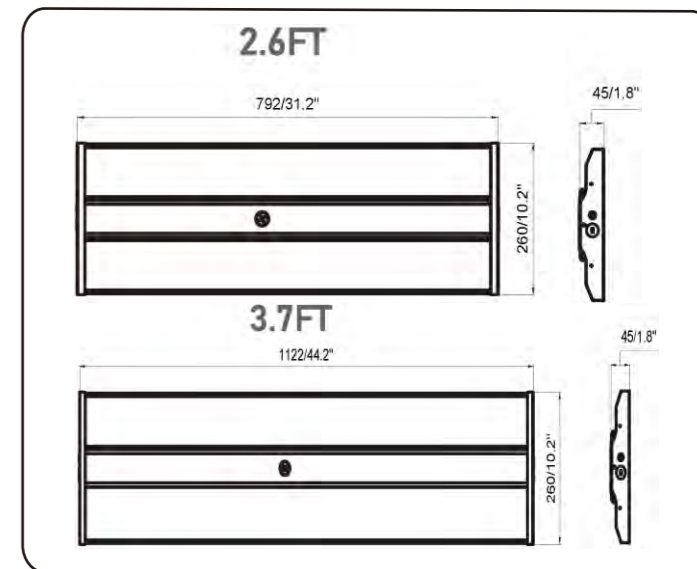
Product description

- WSD LED Linear High bay Light series can be widely used for Indoor Excellent for Offices, Hallways, Multipurpose Rooms ,Office Buildings, Conference Rooms,super market, store and many other applications.
- Bluetooth (Accessories need to purchased separately).

Power	CCT	Luminous Flux
200W	4000K/5000K	31180LM
230W	4000K/5000K	34782LM
270W	4000K/5000K	39773LM
270W	4000K/5000K	41668LM
340W	4000K/5000K	50558LM
400W	4000K/5000K	56154LM

Structure Features

Shell materials: Steel Color: White





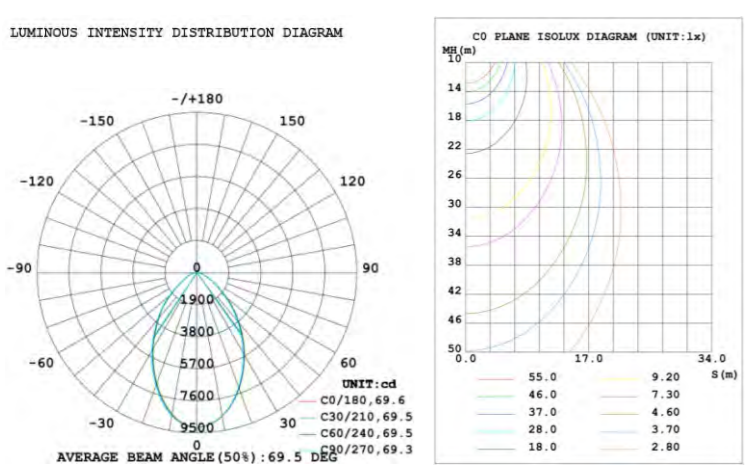
100W/150W/200W

WSD-UFO10W27-XXK-Z-E[Blank,M] (Premium)
WSD-UFO15W27-XXK-Z-E[Blank,M] (Premium)
WSD-UFO20W27-XXK-Z-E[Blank,M] (Premium)

Technical Parameters

Luminous Flux: 13590LM/20400LM/27200LM
PF: >0.95 CRI: Ra>80
L70: >70,000 hrs
LED Chips: Lumileds LED
Input Voltage: AC100-277V
Protection Level: Wet Location
Lighting Angle: 70°

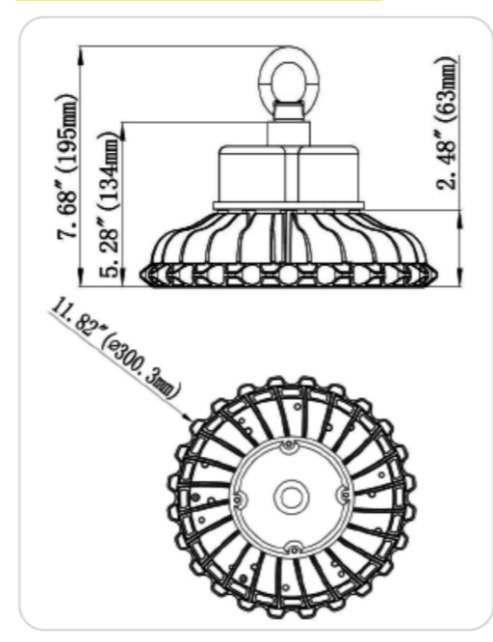
Light Distribution Curve



Product description

- Lumileds LED, high luminous efficiency and long working life.
- Unisolated Power Supply LED Driver, the wide range input voltage AC100-277V.
- Die Cast aluminium cooling design, high quality and better cooling for LED Tj < 85°C.
- Excellent optics design, greatly improve the light utilization and evenness.
- Motion Sensor Control Available (Accessories need to purchased separately).
- DLC 5.1

Structure Features



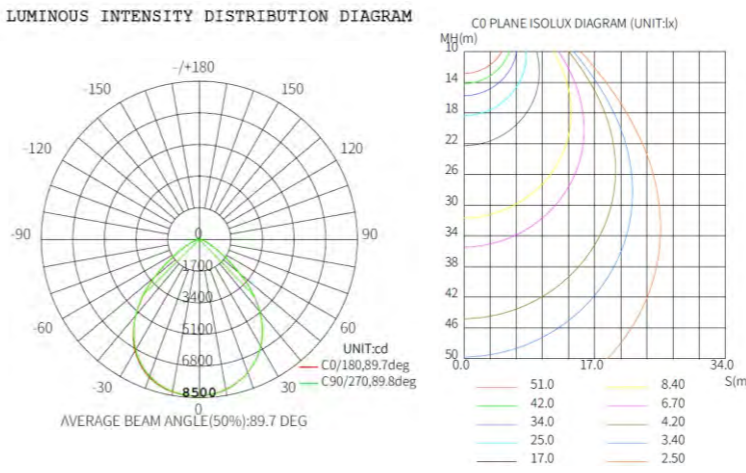
100W/150W/200W

WSD-UFO10W27-XXK-Z-U-E[Blank,M]-G2 (Premium)
WSD-UFO15W27-XXK-Z-U-E[Blank,M]-G2 (Premium)
WSD-UFO20W27-XXK-Z-U-E[Blank,M]-G2 (Premium)

Technical Parameters

Luminous Flux: 16800LM/24000LM/32000LM
CCT:4000K/5000K
PF: >0.95 CRI: Ra>70
L70: >70,000 hrs
LED Chips: SMD2835
Input Voltage: AC120-277V
Protection Level: Wet Location
Lighting Angle: 89°

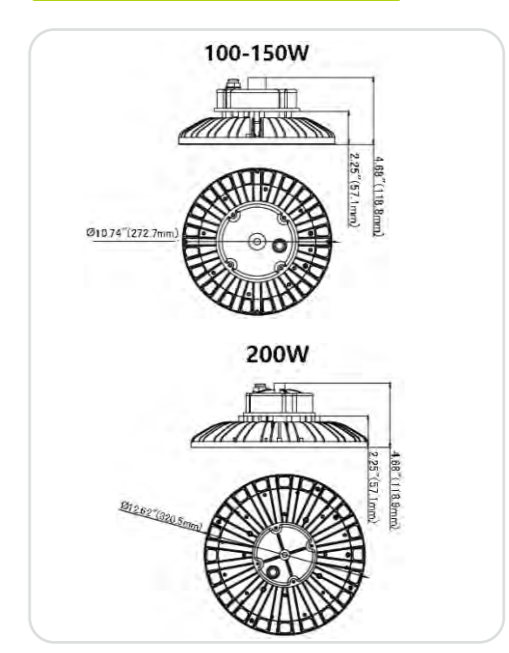
Light Distribution Curve



Product description

- LED high luminous efficiency and long working life.
- High efficiency LED Driver, the wide range input voltage AC120-277V.
- Die Cast aluminium cooling design, high quality and better cooling for LED Tj < 85°C.
- Excellent optics design, greatly improve the light utilization and evenness.
- Wireless bluetooth system and Motion Sensor Control Available (Accessories need to purchased separately).

Structure Features





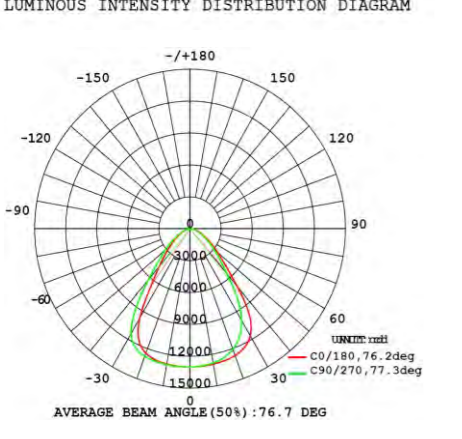
**85W/120W/150W
115W/160W/200W
140W/190W/240W**

WSD-UFO851215W27-3545K-Z-U-E[Blank,M] (Premium)
WSD-UFO115160200W27-3545K-Z-U-E[Blank,M] (Premium)
WSD-UFO141924W27-3545K-Z-U-E[Blank,M] (Premium)

Technical Parameters

CCT:3500/4000K/5000K
PF: >0.95 CRI: Ra>70
L70: >70,000 hrs
LED Chips: SMD2835
Input Voltage: AC120-277V/277-480V
Protection Level: Wet Location
Lighting Angle: 89°

Light Distribution Curve



Product description

- LED high luminous efficiency and long working life.
- High efficiency LED Driver, the wide range input voltage AC120-277V/277-480V.
- Die Cast aluminium cooling design, high quality and better cooling for LED Tj < 85°C.
- Excellent optics design, greatly improve the light utilization and evenness.
- Wireless bluetooth system and Motion Sensor Control Available (Accessories need to purchased separately).
- 12Vdc auxiliary dimming.

Power	CCT	Luminous Flux
85W	3500K/4000K/5000K	12325LM
120W	3500K/4000K/5000K	17400LM
150W	3500K/4000K/5000K	21750LM
115W	3500K/4000K/5000K	16675LM
160W	3500K/4000K/5000K	23200LM
200W	3500K/4000K/5000K	29000LM
140W	3500K/4000K/5000K	20300LM
190W	3500K/4000K/5000K	27550LM
240W	3500K/4000K/5000K	34800LM

Structure Features



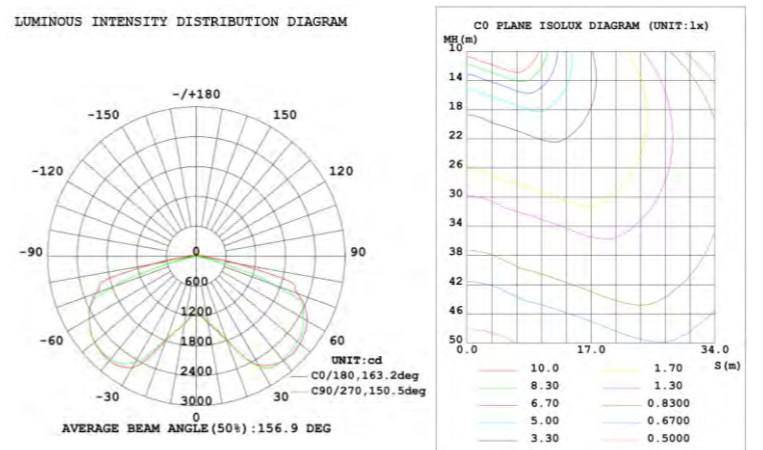
100W/150W

WSD-PT10W27-XXK-Z-P-E[Blank,M]-G2 (Premium)
WSD-PT15W27-XXK-Z-P-E[Blank,M]-G2 (Premium)

Technical Parameters

Luminous Flux: 12500LM/19500LM
PF: >0.95 CRI: Ra>70
L70: >70,000 hrs
LED Chips: SMD2835
Input Voltage: AC120-277V
Protection Level: Wet Location
Lighting Angle: Type V

Light Distribution Curve



Product description

- Lumileds LED, high luminous efficiency and long working life.
- High efficiency LED Driver, the wide range input voltage AC120-277V.
- Die Cast aluminium cooling design,high quality and better cooling for LED Tj < 85°C.
- Excellent Optics design, greatly improve the light utilization and evenness.
- Photocell and Motion sensor Control Available (Accessories need to purchased separately)
- DLC 5.1

Structure Features





60W/100W

WSD-HPT06W27-XXK-Z-E[Blank,M]-G2 (Premium)

WSD-HPT10W27-XXK-Z-E[Blank,M]-G2 (Premium)

Technical Parameters

Luminous Flux: 8100LM/13000LM

PF: >0.98 CRI: Ra>70

L70: >70,000 hrs

LED Chips: SMD2835 LED

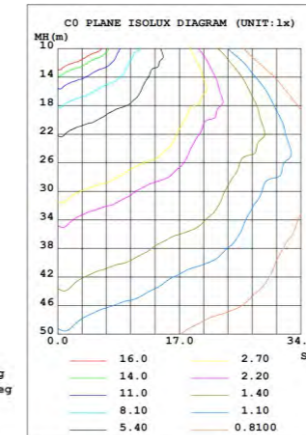
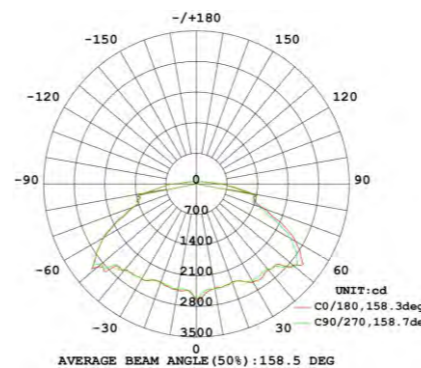
Input Voltage: AC120-277V

Protection Level: Wet Location

Lighting Angle: 162°

Light Distribution Curve

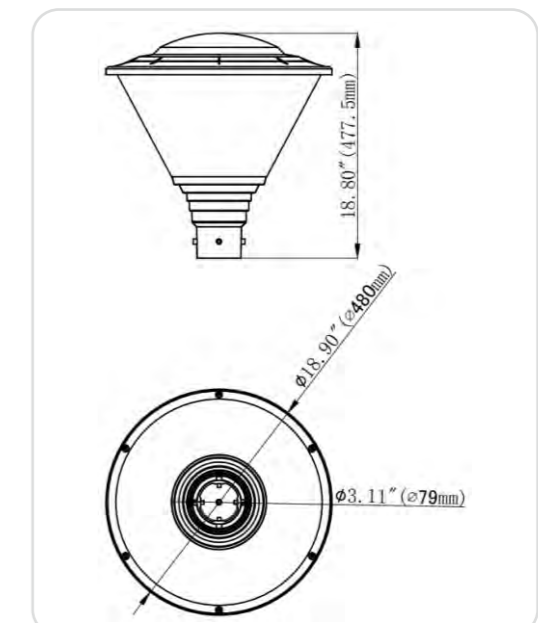
LUMINOUS INTENSITY DISTRIBUTION DIAGRAM



Product description

- High luminous efficiency and long working life.
- High efficiency LED Driver, the wide range input voltage AC120-277V.
- Cast aluminium cooling design, light quality and better cooling for LED Tj < 85°C.
- Excellent Optics design, greatly improve the light utilization and evenness.
- Excellent efficacy ≥140lm/w.
- DLC 5.1

Structure Features





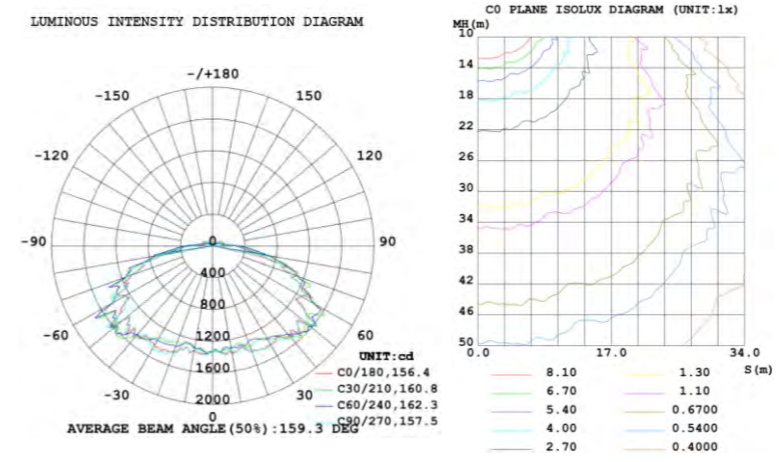
60W

WSD-SPT06W27-XXK-Z-G2 (Premium)

Technical Parameters

Luminous Flux: 8000LM
 PF: >0.98 CRI: Ra>70
 L70: >70,000 hrs
 LED Chips: SMD2835 LED
 Input Voltage: AC120-277V
 Protection Level: Wet Location
 Lighting Angle: 159°

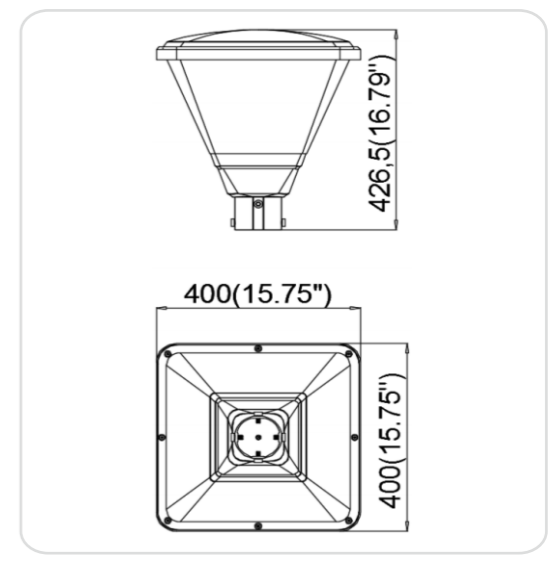
Light Distribution Curve



Product description

- High luminous efficiency and long working life.
- High efficiency LED Driver, the wide range input voltage AC120-277V.
- Cast aluminium cooling design, light quality and better cooling for LED Tj < 85°C.
- Excellent Optical design, greatly improve the light utilization and evenness.
- Excellent efficacy ≥130lm/w.
- DLC 5.1

Structure Features





60W

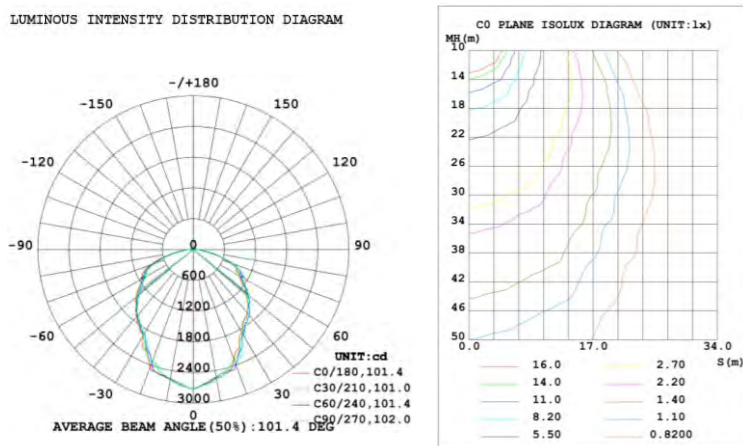
WSD-RPT06W27-XXK-Z-U-G2

Technical Parameters

Luminous Flux: 8600LM
PF: >0.9 CRI: Ra>70

L70: >70,000 hrs
LED Chips: SMD2835 LEDs
Input Voltage: AC120-277V
Protection Level: Wet Location
Lighting Angle: 101°

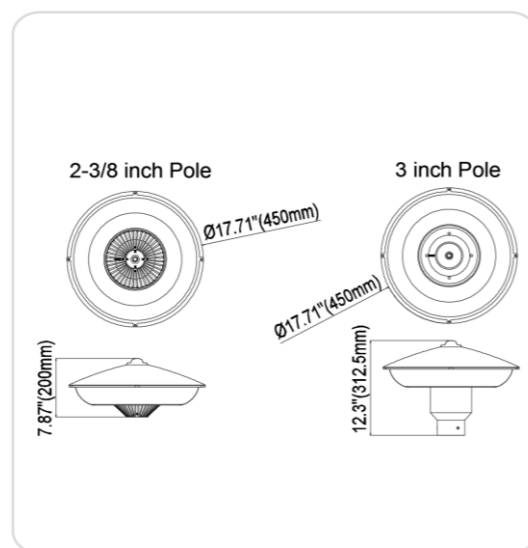
Light Distribution Curve



Product description

- High luminous efficiency and long working life.
- High efficiency LED Driver, the wide range input voltage AC120-277V.
- Cast aluminium cooling design, light quality and better cooling for LED Tj < 85°C.
- Excellent Optics design, greatly improve the light utilization and evenness.
- Excellent efficacy ≥120lm/w.

Structure Features



WATT/CCT SELECTABLE

60W/80W/100W/150W

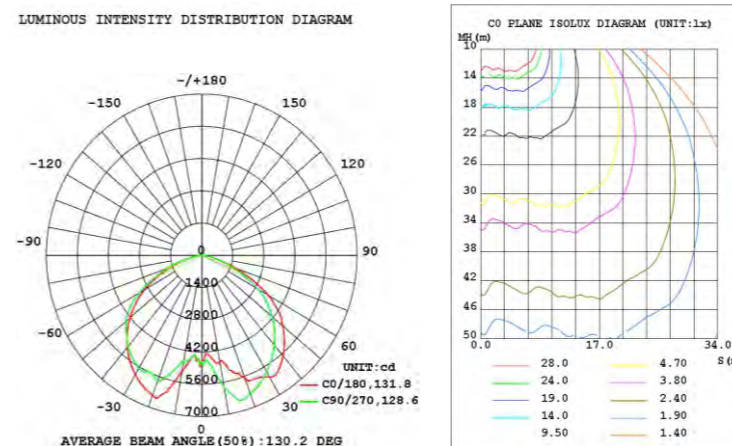
WSD-SMPT681015W27-345K-Z-Y-E[Blank,M]

Technical Parameters

PF: >0.95 CRI: Ra>70

Life Span: >50,000 hrs
LED Chips: SMD2835 LEDs
Input Voltage: AC120-277V
Protection Level: Wet Location
Lighting Angle: 130°

Light Distribution Curve

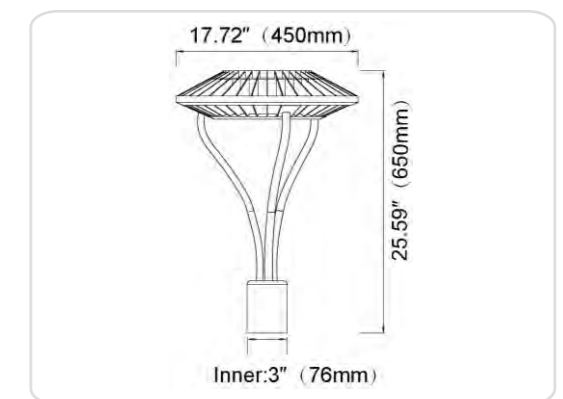


Product description

- High luminous efficiency and long working life.
- High efficiency LED Driver, the wide range input voltage AC120-277V.
- Cast aluminium cooling design, light quality and better cooling for LED Tj < 85°C.
- Excellent Optics design, greatly improve the light utilization and evenness.
- Photocell (Optional), motion sensor control available(Optional).
- The 1-10V Dimming type is continuous.
- DLC 5.1

Power	CCT	Luminous Flux
60W	3000K/4000K/5000K	8685LM/9254LM/9305LM
80W	3000K/4000K/5000K	11264LM/12094LM/12059LM
100W	3000K/4000K/5000K	13654LM/14787LM/14585LM
150W	3000K/4000K/5000K	18776LM/20668LM/20030LM

Structure Features





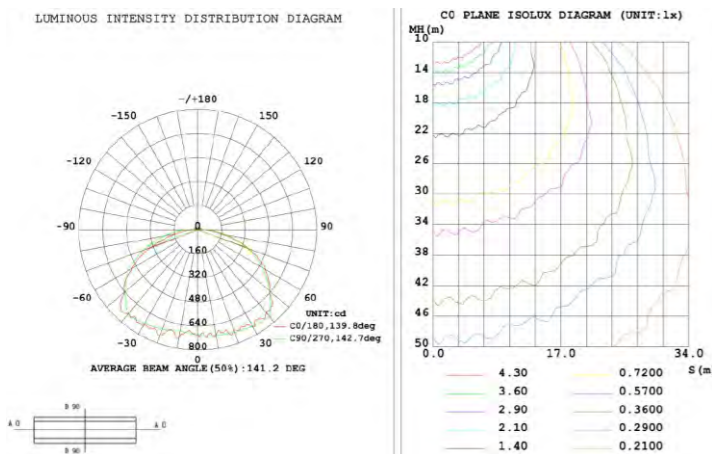
25W

WSD-BL25W27-XXK-Z-G2 (Premium)

Technical Parameters

Luminous Flux: 3360LM
 PF: >0.90 CRI: Ra>70
 L70: >70,000 hrs
 LED Chips: SMD2835
 Input Voltage: AC120-277V
 Protection Level: Wet Location
 Lighting Angle: 141°

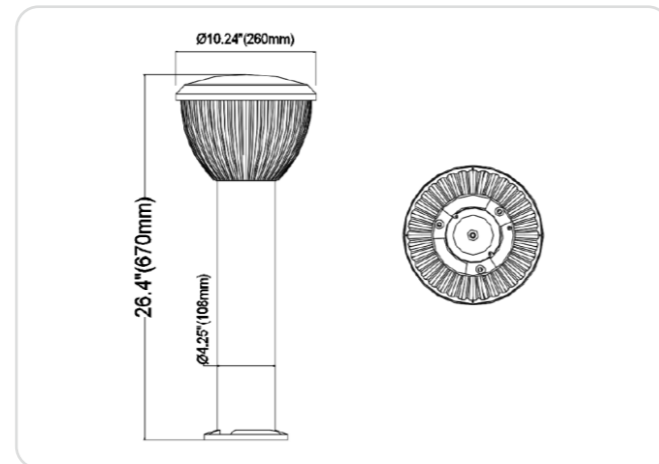
Light Distribution Curve



Product description

- Optical design, greatly improved the light utilization and evenness.
- High efficiency LED Driver, the wide range input voltage AC120-277V.
- Cast Aluminum design, better cooling, light quality, Tj < 85°C.
- 1-10V Dimming
- Excellent efficacy ≥ 130lm/w
- DLC 5.1

Structure Features



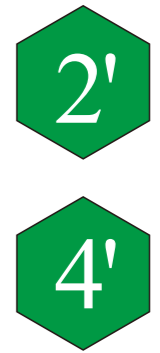
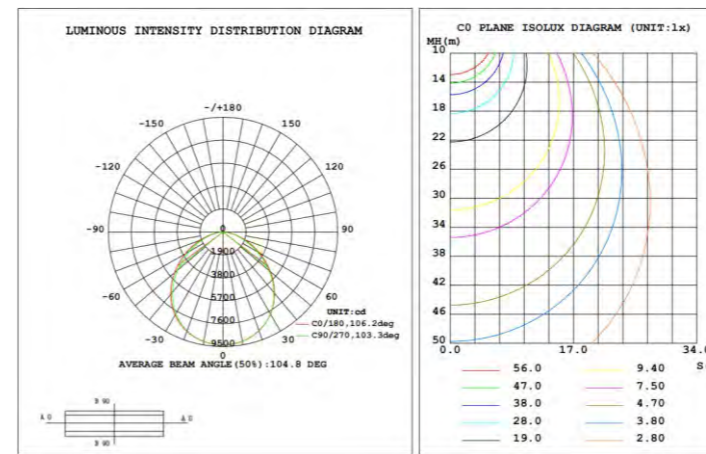
25W 2ft/45W 4ft

WSD-VP2FT25W27-XXK-Z-E[Blank,M]-G2
 WSD-VP4FT45W27-XXK-Z-E[Blank,M]-G2

Technical Parameters

Luminous Flux: 3650LM/6600LM
 PF: >0.9 CRI: Ra>80
 L70: >70,000 hrs
 LED Chips: SMD2835
 Input Voltage: AC120-277V
 Protection Level: Wet Location
 Lighting Angle: 118°

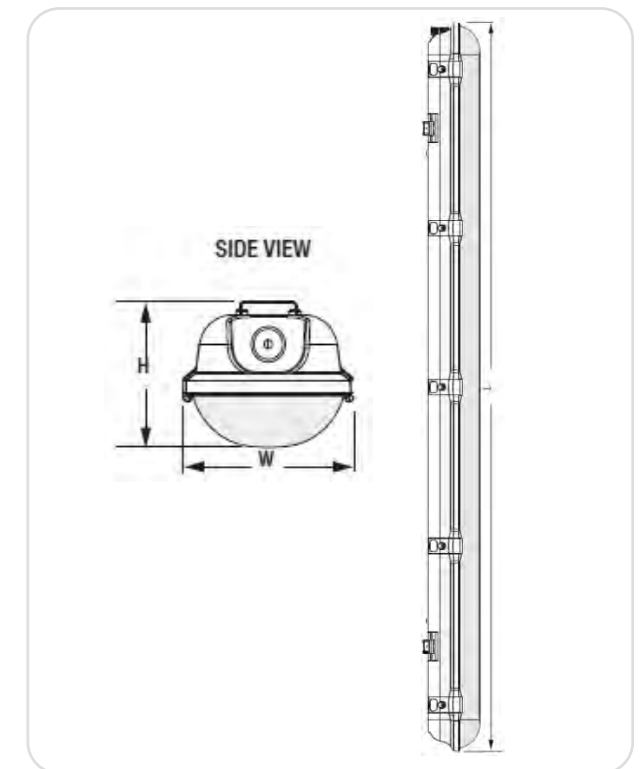
Light Distribution Curve



Product description

- High luminous efficiency and long working life.
- High efficiency LED Driver, the wide range input voltage AC120-277V.
- Made of high quality PC material, high ignition point, more safe;
- Excellent Optics design, greatly improve the light utilization and evenness.
- DLC 5.1

Structure Features





2'
4'
8'



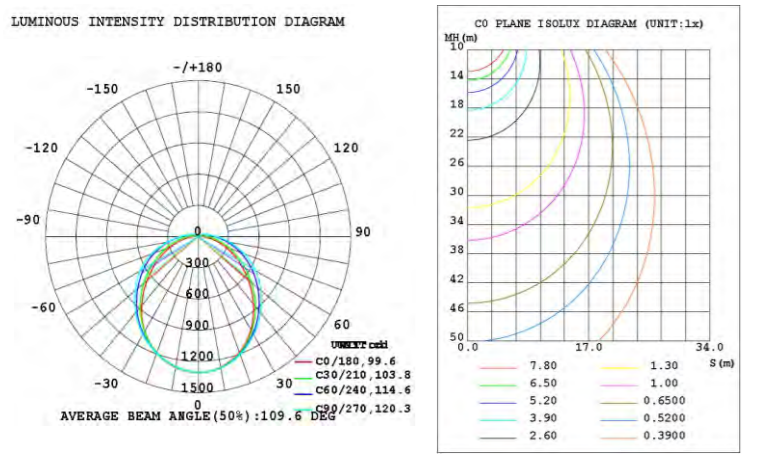
20W/25W/30W
34W/38W/45W
65W/75W/90W

WSD-VP2FT202530W27-3545K-Z-E[Blank,M]
WSD-VP4FT343845W27-3545K-Z-E[Blank,M]
WSD-VP8FT657590W27-3545K-Z-E[Blank,M]

Technical Parameters

PF: >0.95 CRI: Ra>80
L70: >70,000 hrs
LED Chips: SMD2835
Input Voltage: AC120-277V
Protection Level: Wet
Lighting Angle: 115°

Light Distribution Curve

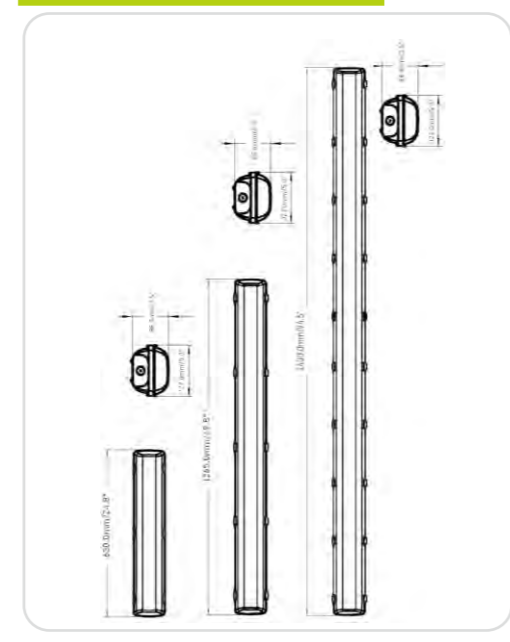


Product description

- Made of high quality ABS material, high ignition point, more safe.
- With PC lens.
- Lampshade-inner surface stripe design make the light diffusion angle greater and the light more uniform.
- 1-10V dimming.

Power	CCT	Luminous Flux
20W(2ft)	3500K/4000K/5000K	2872LM
25W(2ft)	3500K/4000K/5000K	3454LM
30W(2ft)	3500K/4000K/5000K	4021LM
34W(4ft)	3500K/4000K/5000K	4941LM
38W(4ft)	3500K/4000K/5000K	5423LM
45W(4ft)	3500K/4000K/5000K	6494LM
65W(8ft)	3500K/4000K/5000K	9295LM
75W(8ft)	3500K/4000K/5000K	10500LM
90W(8ft)	3500K/4000K/5000K	10364LM

Structure Features



155W/185W/200W

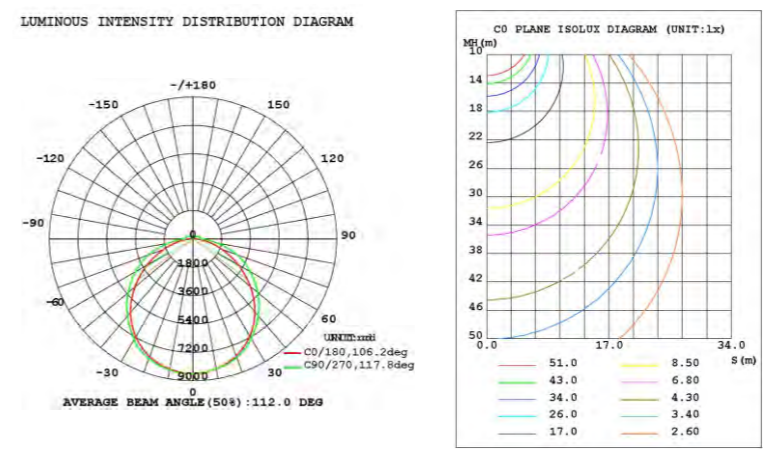
WSD-VHB155185200W27-3545K

Technical Parameters

PF: >0.90 CRI: Ra>80
L70: >100,000 hrs
LED Chips: SMD2835
Input Voltage: AC120-277V
Protection Level: Wet Location
Lighting Angle: 115°

Power	CCT	Luminous Flux
155W	3500K/4000K/5000K	24800LM
185W	3500K/4000K/5000K	29600LM
200W	3500K/4000K/5000K	32000LM

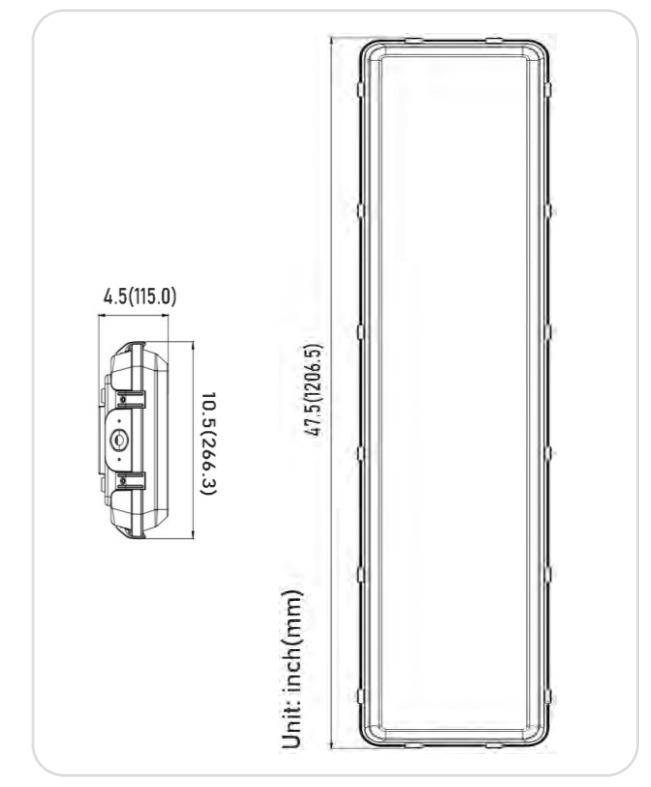
Light Distribution Curve



Product description

- Made of high quality ABS material, high ignition point, more safe.
- With PC lens.
- Lampshade-inner surface stripe design make the light diffusion angle greater and the light more uniform.
- 0-10V dimming.
- 12Vdc auxiliary
- Motion sensor control available (optional)
- DLC 5.1

Structure Features





WATT/CCT SELECTABLE

UL LISTED E.354939, DLC LISTED PREMIUM, 5 Year Warranty, CRI 90+

25W/30W/40W 1*4ft
25W/30W/40W 2*2ft
30W/40W/50W 2*4ft

Product description

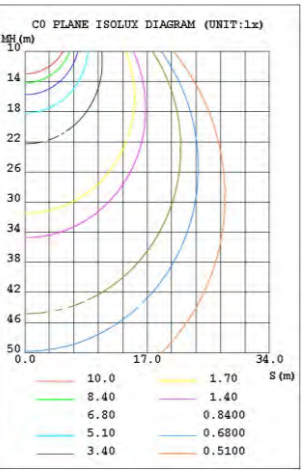
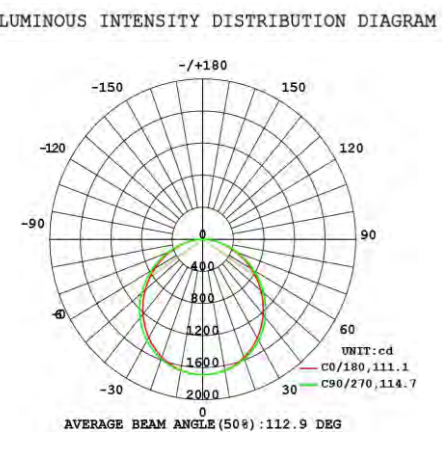
- Energy efficient: save up to 80% in energy costs
- High lumen output
- Installation: Recessed; Suspended; Surface-mounted
- Patent design to avoid blue light & water ripper & light spot
- 100% PMMA LGP, never get yellowing
- CCT:3500-5000K
- 5 years manufacturer warranty
- Compatible with most Lutron and Leviton dimmers
- Flicker Free, 0-10V dimming to 5%

Power	CCT	Luminous Flux
25W(1*4ft)	3500K/4000K/5000K	2500/3000/4000LM
30W(1*4ft)	3500K/4000K/5000K	2500/3000/4000LM
40W(1*4ft)	3500K/4000K/5000K	2500/3000/4000LM
25W(2*2ft)	3500K/4000K/5000K	2500/3000/4000LM
30W(2*2ft)	3500K/4000K/5000K	2500/3000/4000LM
40W(2*2ft)	3500K/4000K/5000K	2500/3000/4000LM
30W(2*4ft)	3500K/4000K/5000K	3000/4000/5000LM
40W(2*4ft)	3500K/4000K/5000K	3000/4000/5000LM
50W(2*4ft)	3500K/4000K/5000K	3000/4000/5000LM

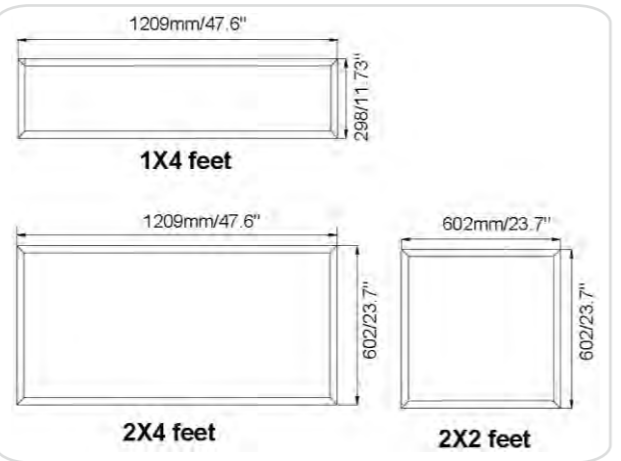
Technical Parameters

PF: >0.98 CRI: Ra>90
 L70: >54,000 hrs
 LED Chips: SMD4014 LED
 Input Voltage: AC120-277V
 Protection Level: Damp
 Lighting Angle: 110°

Light Distribution Curve



Structure Features



WATT/CCT SELECTABLE

UL LISTED E.354939, DLC LISTED PREMIUM, 5 Year Warranty

20W/25W/30W 1*4ft
20W/25W/30W 2*2ft
35W/40W/46W 2*4ft

14LPZ202530W27-3545K-G2 (Premium)
 22LPZ202530W27-3545K-G2 (Premium)
 24LPZ354046W27-3545K-G2 (Premium)

Product description

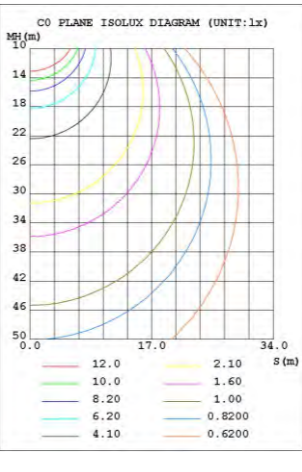
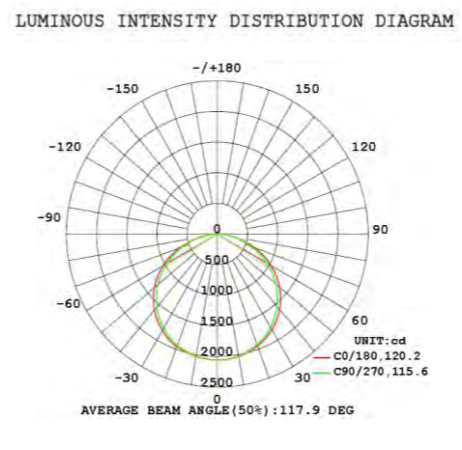
- Energy efficient: save up to 80% in energy costs
- High lumen output
- Mercury-free
- Instant-on light
- 50,000 hours at 70% lumen maintenance rated life
- CCT:3500-5000K
- 5 years manufacturer warranty
- Compatible with most Lutron and Leviton dimmers
- The 0-10V Dimming type is continuous

Power	CCT	Luminous Flux
20W(1*4ft)	3500K/4000K/5000K	2760LM
25W(1*4ft)	3500K/4000K/5000K	3250LM
30W(1*4ft)	3500K/4000K/5000K	3910LM
20W(2*2ft)	3500K/4000K/5000K	2660LM
25W(2*2ft)	3500K/4000K/5000K	3350LM
30W(2*2ft)	3500K/4000K/5000K	3810LM
35W(2*4ft)	3500K/4000K/5000K	4650LM
40W(2*4ft)	3500K/4000K/5000K	5200LM
46W(2*4ft)	3500K/4000K/5000K	5942LM

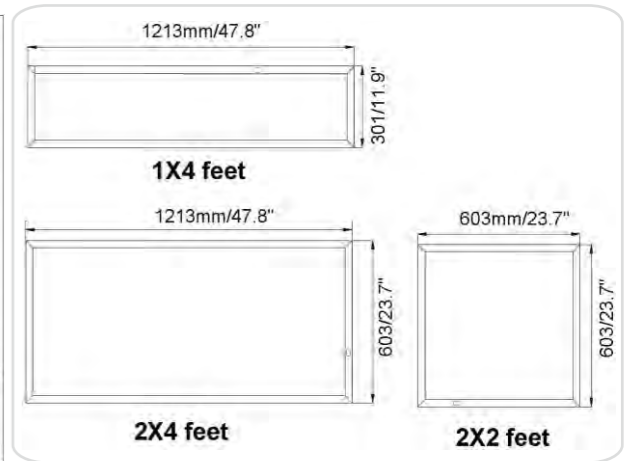
Technical Parameters

PF: >0.98 CRI: Ra>80
 L70: >70,000 hrs
 LED Chips: SMD2385 LED
 Input Voltage: AC120-277V
 Protection Level: Damp
 Lighting Angle: 113°

Light Distribution Curve



Structure Features





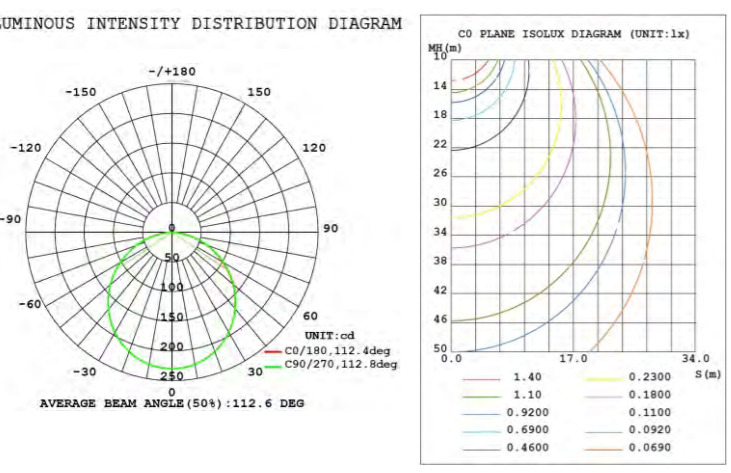
**9W(4")/12W(6")
18W(8")**

WSD-4RSPL9W12-5CCT-W
WSD-6RSPL12W12-5CCT-W
WSD-8RSPL18W12-5CCT-W

Technical Parameters

PF: >0.90 CRI: Ra>90
L70: >70,000 hrs
LED Chips: SMD2835
Input Voltage: AC120V
Certificate: UL, Energy Star, ja8
Lighting Angle: 113°

Light Distribution Curve

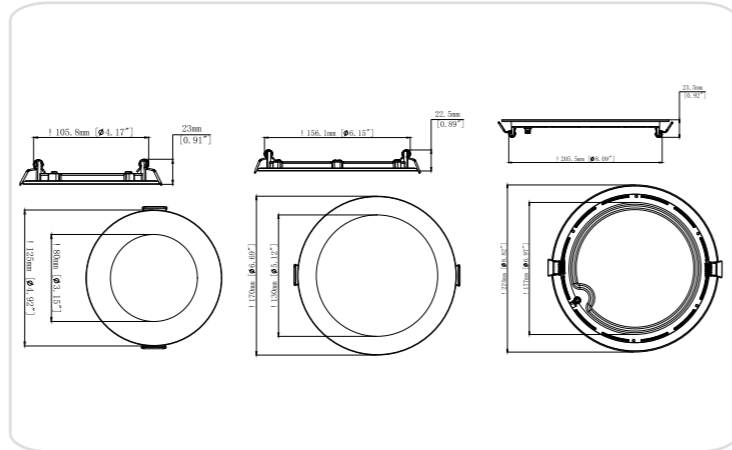


Product description

- Edge-lit technology, with no glare or dark spots.
- Continuous dimming from 100% to 10% with many Triac Dimmers.
- Instant on.
- No flicker.
- Color removable trim available (sold separately): Brushed nickel, Black, Bronze.
- 50,000 hours at 70% lumen maintenance rated life.
- CCT:2700-5000K.
- 5 years manufacturer warranty.

Power	CCT	Luminous Flux
4inch(9W)	2700K/3000K/3500K/4000K/5000K	562/613/637/644/602LM
6inch(12W)	2700K/3000K/3500K/4000K/5000K	936/996/1038/1041/998LM
8inch(12W)	2700K/3000K/3500K/4000K/5000K	1442/1488/1504/1474/1409LM

Structure Features



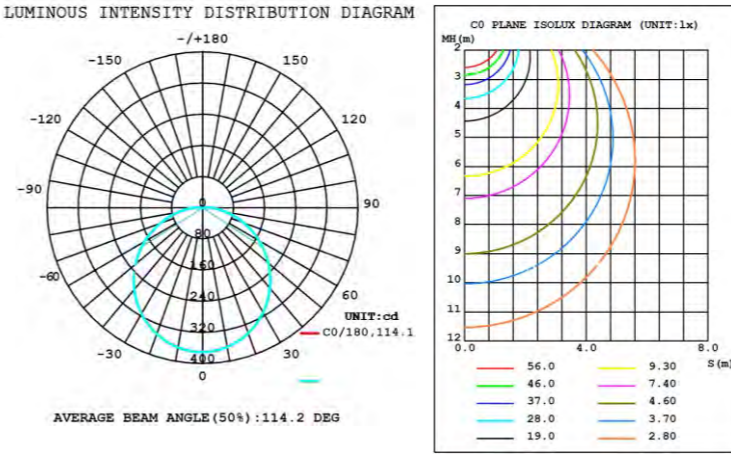
15W

D556-90-CCT-WH-MS
D236D-90-CCT-WH

Technical Parameters

PF: >0.90 CRI: Ra>90
L70: >70,000 hrs
LED Chips: SMD2835
Input Voltage: AC120V
Certificate: UL, Energy Star, ja8
Lighting Angle: 114°

Light Distribution Curve

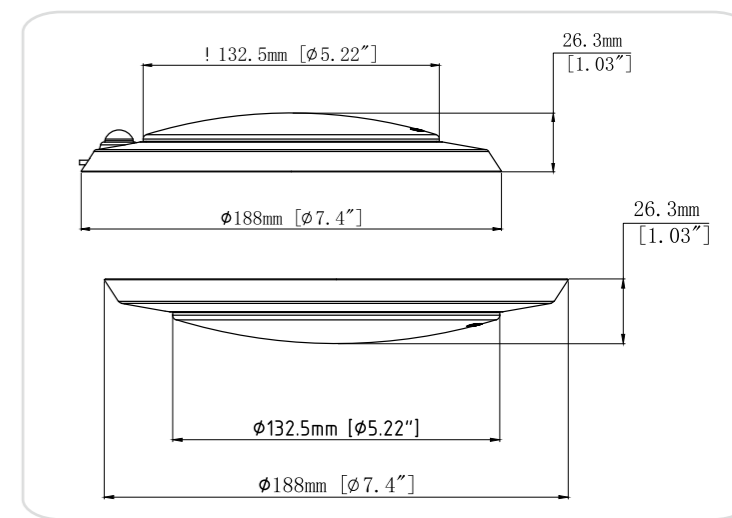


Product description

- Energy efficient: save up to 80% in energy costs.
- High lumen output.
- Mercury-free.
- Instant-on light.
- 50,000 hours at 70% lumen maintenance rated life.
- CCT:2700-5000K.
- PIR Sensor Function Available.
- 5 years manufacturer warranty.

Power	CCT	Luminous Flux
6inch(15W)	2700K/3000K/3500K/4000K/5000K	1136/1139LM

Structure Features





1*4ft
2*2ft
2*4ft



1*4ft
2*2ft
2*4ft



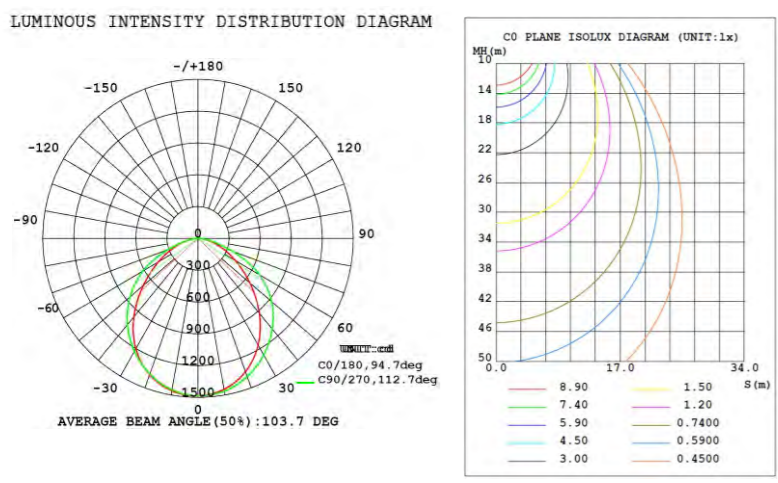
20W 1*4ft
20W 2*2ft
22W 2*4ft

14RTFD02W27-3545K-E[Blank,M]
22RTFD02W27-3545K-E[Blank,M]
24RTFD22W27-3545K-E[Blank,M]

Technical Parameters

PF: >0.98 CRI: Ra>80
L70: >75,000 hrs
LED Chips: SMD2835
Input Voltage: AC120-277V
Protection Level: Damp
Lighting Angle: 113°

Light Distribution Curve

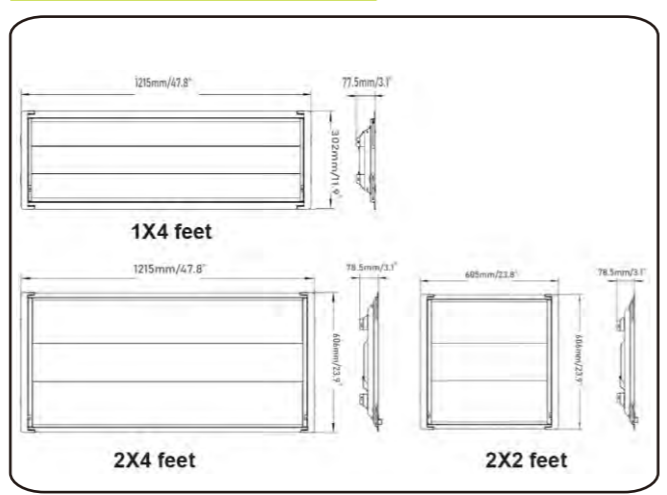


Product description

- Energy efficient: save up to 80% in energy costs
- High lumen output
- Mercury-free
- Instant-on light
- 50,000 hours at 70% lumen maintenance rated life
- CCT:3500-5000K
- 5 years manufacturer warranty
- Compatible with most Lutron and Leviton dimmers
- The 0-10V Dimming type is continuous

Power	CCT	Luminous Flux
20W(1*4ft)	3500K	2590LM
20W(1*4ft)	4000K	2686LM
20W(1*4ft)	5000K	2656LM
20W(2*2ft)	3500K	2775LM
20W(2*2ft)	4000K	2818LM
20W(2*2ft)	5000K	2683LM
22W(2*4ft)	3500K	3014LM
22W(2*4ft)	4000K	3212LM
22W(2*4ft)	5000K	3015LM

Structure Features



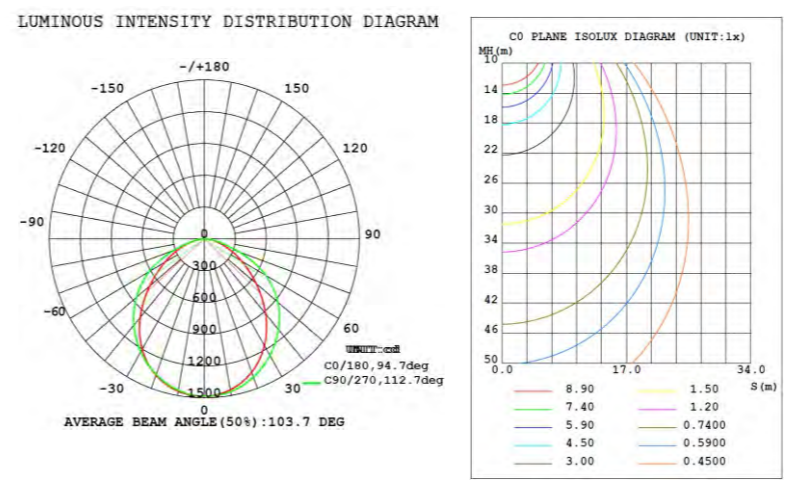
20W/25W/30W 1*4ft
20W/25W/30W 2*2ft
34W/38W/45W 2*4ft

14RTFD202530W27-3545K-E[Blank,M]
22RTFD202530W27-3545K-E[Blank,M]
24RTFD343845W27-3545K-E[Blank,M]

Technical Parameters

PF: >0.98 CRI: Ra>80
L70: >75,000 hrs
LED Chips: SMD2835
Input Voltage: AC120-277V
Protection Level: Damp
Lighting Angle: 113°

Light Distribution Curve

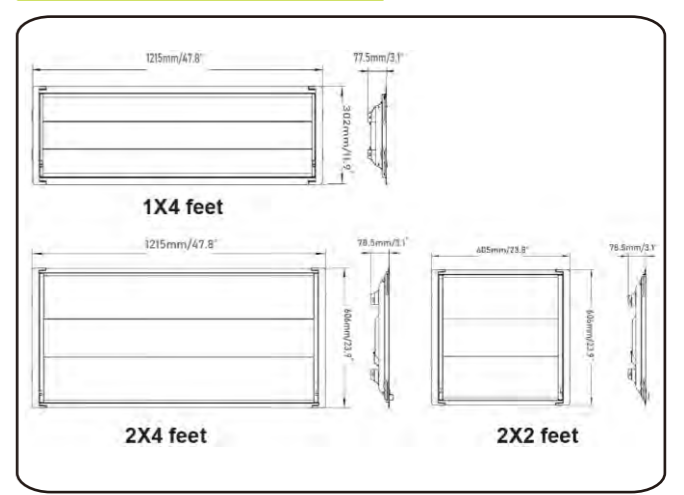


Product description

- Energy efficient: save up to 80% in energy costs
- High lumen output
- Mercury-free
- Instant-on light
- 50,000 hours at 70% lumen maintenance rated life
- CCT:3500-5000K
- 5 years manufacturer warranty
- Compatible with most Lutron and Leviton dimmers
- The 0-10V Dimming type is continuous

Power	CCT	Luminous Flux
20W (1*4ft)	3500K/4000K/5000K	2590/2686/2656LM
25W (1*4ft)	3500K/4000K/5000K	3253/3399/3335LM
30W (1*4ft)	3500K/4000K/5000K	3794/3988/3886LM
20W (2*2ft)	3500K/4000K/5000K	2775/2818/2683LM
25W (2*2ft)	3500K/4000K/5000K	3292/3377/3184LM
30W (2*2ft)	3500K/4000K/5000K	3849/3986/3719LM
34W (2*4ft)	3500K/4000K/5000K	4248/4538/4383LM
38W (2*4ft)	3500K/4000K/5000K	4827/5185/4979LM
45W (2*4ft)	3500K/4000K/5000K	5298/5750/5494LM

Structure Features





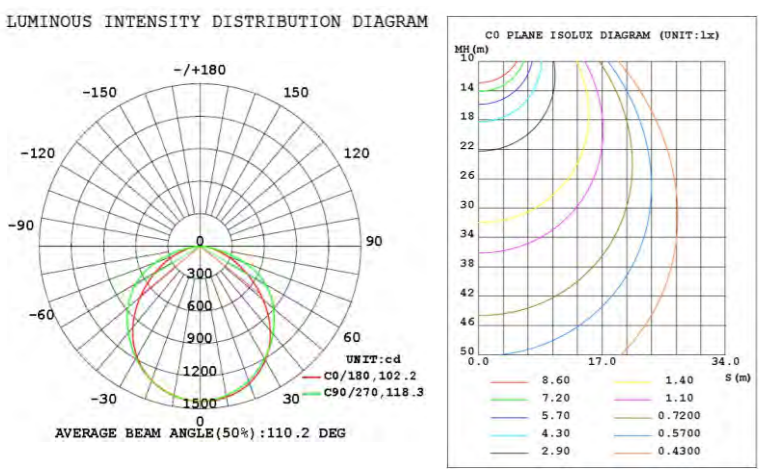
20W/25W/30W 1*4ft
20W/25W/30W 2*2ft
34W/38W/45W 2*4ft

14TRF202530W27-3545K-G2
 22TRF202530W27-3545K-G2
 24TRF343845W27-3545K-G2

Technical Parameters

PF: >0.98 CRI: Ra>80
 L70: >75,000 hrs
 LED Chips: SMD2835
 Input Voltage: AC120-277V
 Protection Level: Damp
 Lighting Angle: 119°

Light Distribution Curve

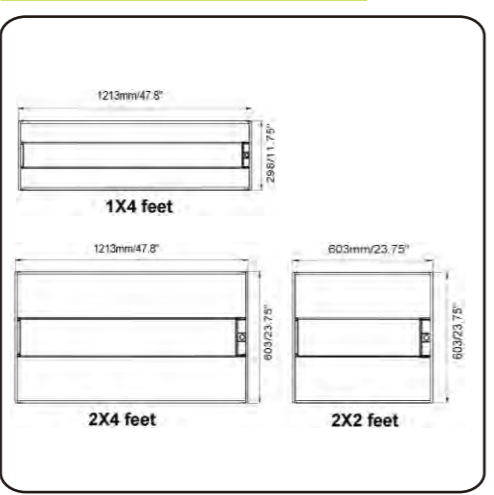


Product description

- Energy efficient: save up to 80% in energy costs
- High lumen output
- Mercury-free
- Instant-on light
- 50,000 hours at 70% lumen maintenance rated life
- CCT:3500-5000K
- 5 years manufacturer warranty
- Compatible with most Lutron and Leviton dimmers
- The 0-10V Dimming type is continuous

Power	CCT	Luminous Flux
20W(1*4ft)	3500K/4000K/5000K	2500LM
25W(1*4ft)	3500K/4000K/5000K	3225LM
30W(1*4ft)	3500K/4000K/5000K	3950LM
20W(2*2ft)	3500K/4000K/5000K	2570LM
25W(2*2ft)	3500K/4000K/5000K	3125LM
30W(2*2ft)	3500K/4000K/5000K	3850LM
34W(2*4ft)	3500K/4000K/5000K	4250LM
38W(2*4ft)	3500K/4000K/5000K	4758LM
45W(2*4ft)	3500K/4000K/5000K	5715LM

Structure Features



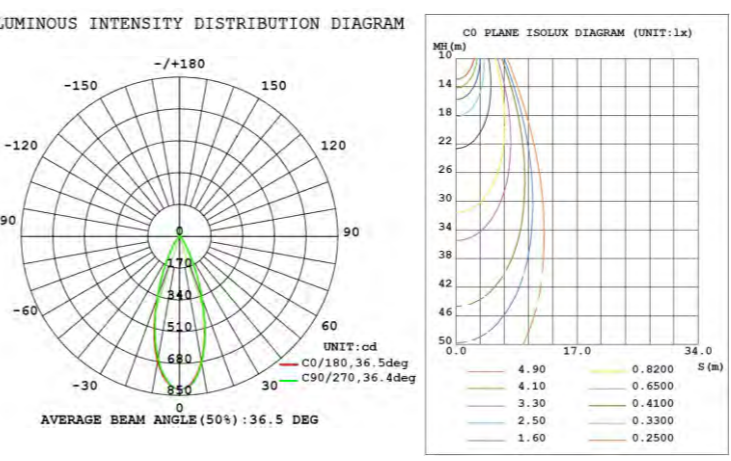
5W(2")/6W(3")
9W(4")/12W(6")

WSD-2RFGL5W12-5CCT-W
 WSD-3RFGL6W12-5CCT-W
 WSD-4RFGL9W12-5CCT-W
 WSD-6RFGL12W12-5CCT-W

Technical Parameters

PF: >0.90 CRI: Ra>90
 L70: >70,000 hrs
 LED Chips: SMD2835
 Input Voltage: AC120V
 Certificate: UL,Energy Star, ja8
 Lighting Angle: 40°

Light Distribution Curve

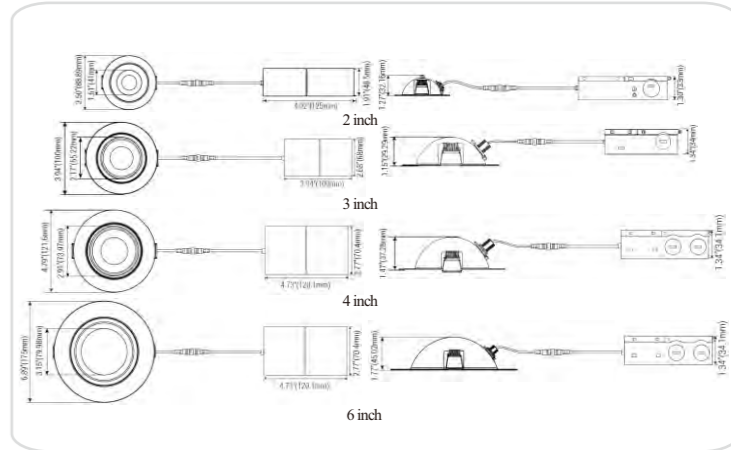


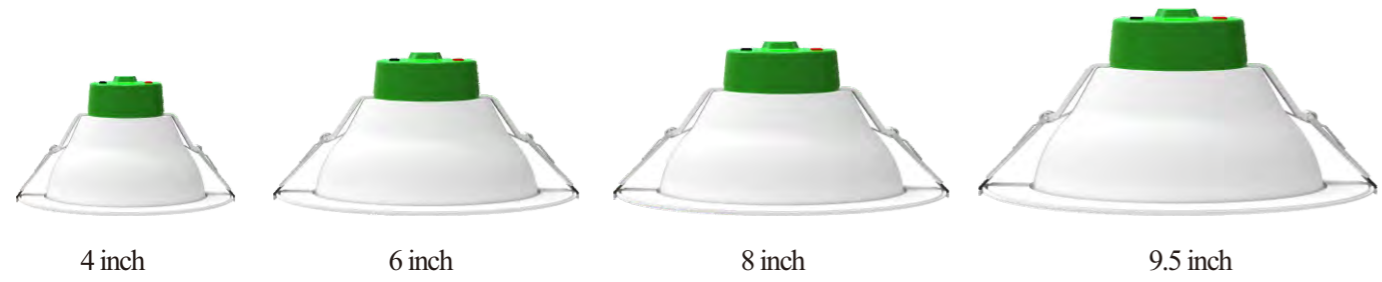
Product description

- Aluminum die-cast body with adjustable gimbal.
- High lumen output.
- Spring loaded retention arms allow for easy installation into ceilings.
- Tilting gimbal light source for directional lighting.
- 50,000 hours at 70% lumen maintenance rated life.
- CCT:2700-5000K.
- 5 years manufacturer warranty.

Power	CCT	Luminous Flux
2inch(5W)	2700K/3000K/3500K/4000K/5000K	376/388/395/403/390LM
3inch(6W)	2700K/3000K/3500K/4000K/5000K	467/500/518/519/488LM
4inch(9W)	2700K/3000K/3500K/4000K/5000K	765/792/806/812/801LM
6inch(12W)	2700K/3000K/3500K/4000K/5000K	1026/1032/1044/1081/1053LM

Structure Features





WATT/CCT
SELECTABLE



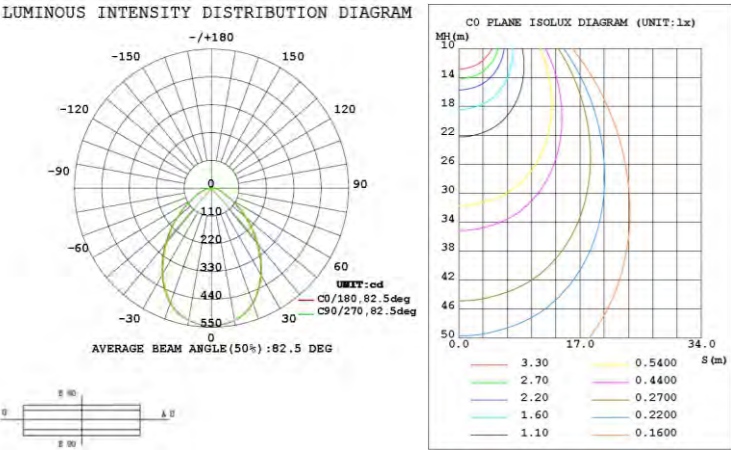
5.5W/8W/12W(4")
7W/10W/18W(6")
10W/15W/22W(8")
20W/25W/32W(9.5")

WSD-4CDL5812W27-33540K
WSD-6CDL71018W27-33540K
WSD-8CDL101522W27-33540K
WSD-9.5CDL202532W27-33540K

Technical Parameters

PF: >0.90 CRI: Ra>90
L70: >70,000 hrs
LED Chips: SMD2835
Input Voltage: AC120-277V
Certificate: UL, Energy Star, ja8
Lighting Angle: 90°

Light Distribution Curve

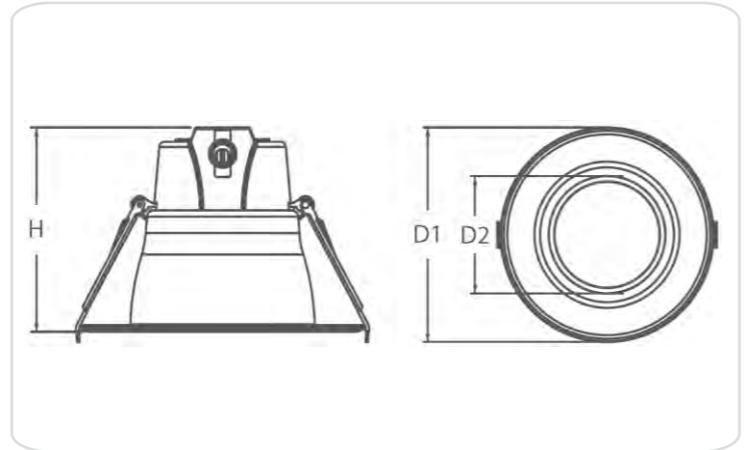


Product description

- Energy efficient: save up to 80% in energy costs
- High lumen output
- Mercury-free
- Instant-on light
- 50,000 hours at 70% lumen maintenance rated life
- CCT:3000K/3500K/4000K
- 5 years manufacturer warranty
- Compatible with most Lutron and Leviton dimmers
- The 1-10V Dimming type is continuous
- Energy efficiency certification.

Power	CCT	Luminous Flux
5.5W/8W/12W	3000K/3500K/4000K	480LM/709LM/1028LM
7W/10W/18W	3000K/3500K/4000K	756LM/1062LM/1606LM
10W/15W/22W	3000K/3500K/4000K	1067LM/1560LM/2073LM
20W/25W/32W	3000K/3500K/4000K	2172LM/2643LM/3200LM

Structure Features



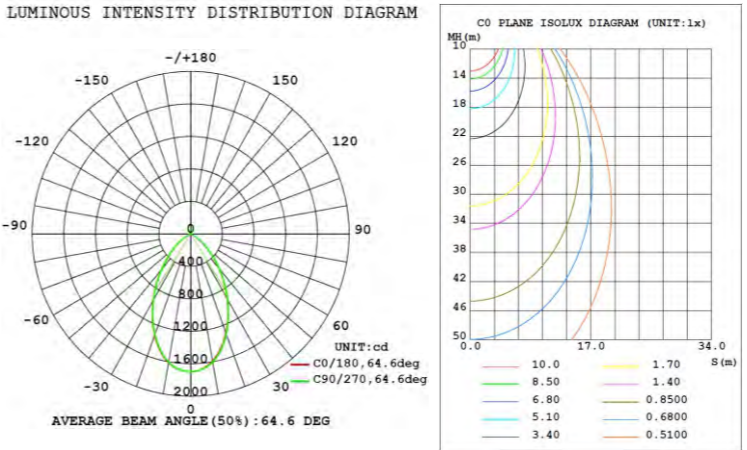
12W/17W/22W(6")
17W/24W/30W(8")
22W/30W/38W(10")

WSD-6CDL121722W27-5CCT-W
WSD-8CDL172430W27-5CCT-W
WSD-10CDL223038W27-5CCT-W

Technical Parameters

PF: >0.90 CRI: Ra>90
L70: >70,000 hrs
LED Chips: SMD2835
Input Voltage: AC120-277V
Certificate: UL, Energy Star, ja8
Lighting Angle: 70°

Light Distribution Curve

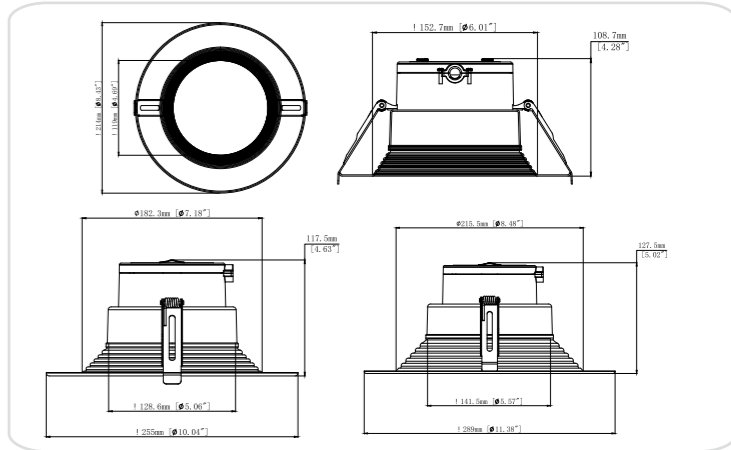


Product description

- Energy efficient: save up to 80% in energy costs.
- High lumen output.
- Mercury-free.
- Instant-on light.
- 50,000 hours at 70% lumen maintenance rated life.
- 5 years manufacturer warranty.
- Compatible with most Lutron and Leviton dimmers.
- The 1-10V Dimming type is continuous.

Power	CCT	Luminous Flux
12W/14W/22W	2700K/3000K/3500K/4000K/5000K	1296LM/1694LM/2194LM
17W/24W/30W	2700K/3000K/3500K/4000K/5000K	1871LM/2621LM/3273LM
22W/30W/38W	2700K/3000K/3500K/4000K/5000K	2356LM/3141LM/3892LM

Structure Features





10W/15W/20W

WSD-SDW101520W347-345K-W

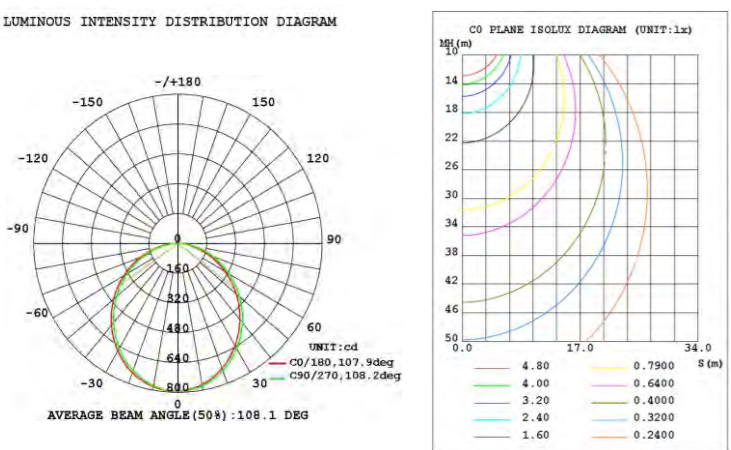
Technical Parameters

PF: >0.90 CRI: Ra>80

Life Time: >50,000 hrs
LED Type: 2835
Input Voltage: AC120-347V
Protection Level: Damp
Lighting Angle: 108°

Power	CCT	Luminous Flux
10W	3500K/4000K/5000K	1452LM
15W	3500K/4000K/5000K	1927LM
20W	3500K/4000K/5000K	2369LM

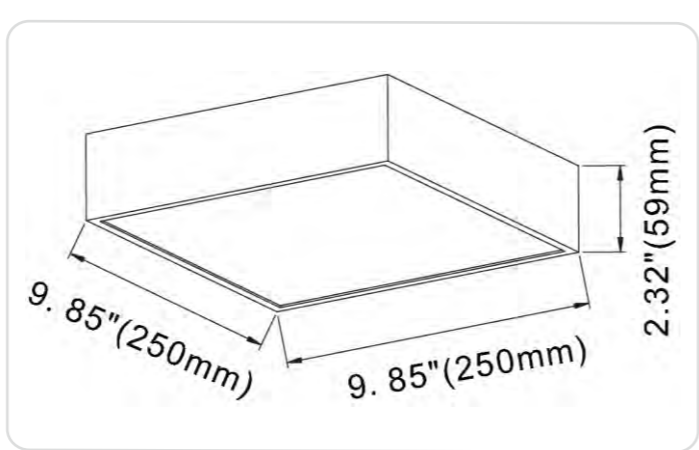
Light Distribution Curve



Product description

- High efficiency LED Driver, the wide range input voltage AC120-347V;
- Lumileds LED high luminous efficiency and long life.
- Excellent optical design, greatly improve the light utilization and evenness.
- The 0-10V dimming type is continuous.
- Motion sensor control available (Optional).
- Energy efficiency certification.

Structure Features



18W/24W/30W

WSD-RDW182430W347-345K-W

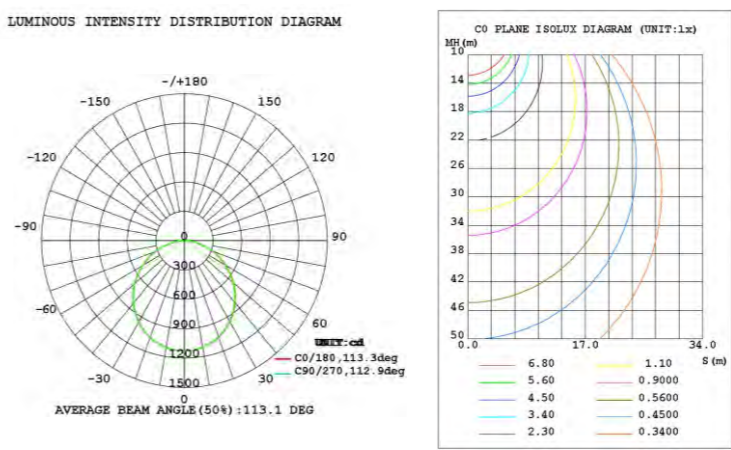
Technical Parameters

PF: >0.90 CRI: Ra>80

Life Time: >50,000 hrs
LED Type: 2835
Input Voltage: AC120-347V
Protection Level: Damp
Lighting Angle: 108°

Power	CCT	Luminous Flux
18W	3500K/4000K/5000K	2111LM
24W	3500K/4000K/5000K	2960LM
30W	3500K/4000K/5000K	3574LM

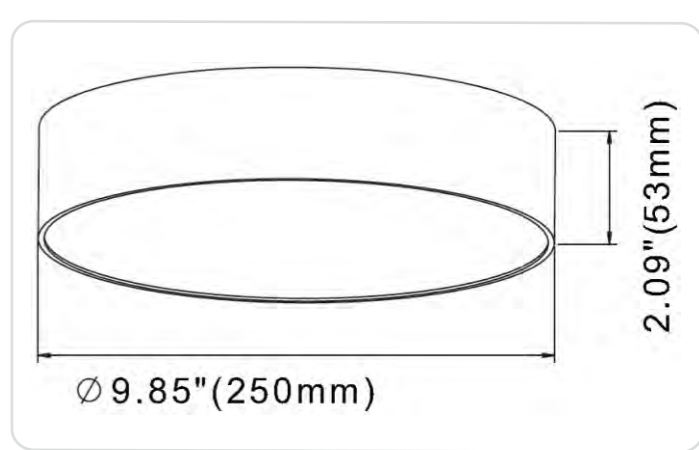
Light Distribution Curve



Product description

- High efficiency LED Driver, the wide range input voltage AC120-347V;
- Lumileds LED high luminous efficiency and long life.
- Excellent optical design, greatly improve the light utilization and evenness.
- The 0-10V dimming type is continuous.
- Motion sensor control available (Optional).
- Energy efficiency certification.

Structure Features





4ft



30W/35W/40W

RP4FT303540W-3545K-E[Blank,M]

Technical Parameters

Luminous Flux: 4110LM(30W)
4690LM(35W)
5600LM(40W)

CCT:3500K/4000K/5000K Selectable

PF: >0.98 CRI: Ra>80

L70: >70,000 hrs

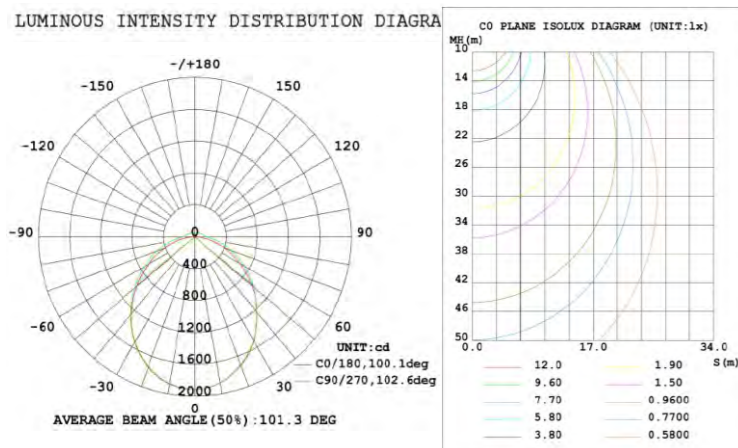
LED Chips: Seoul LEDs

Input Voltage: AC120-277V

Protection Level: Damp

Lighting Angle: 101°

Light Distribution Curve

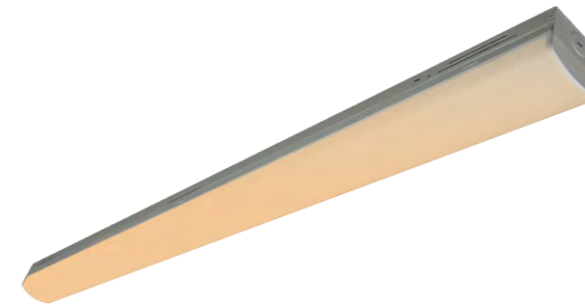
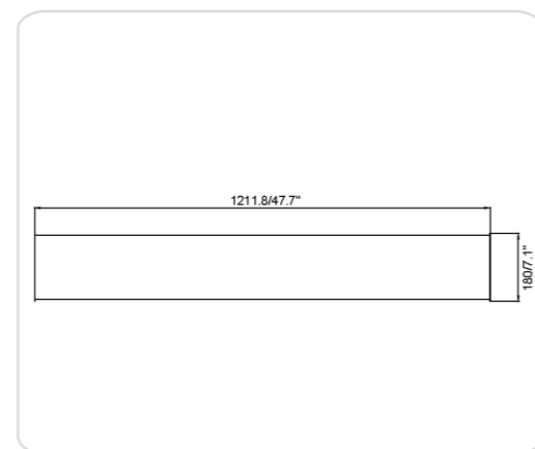


Product description

- Optical design, greatly improved the light utilization and evenness.
- High efficiency LED Driver, the wide range input voltage AC120-277V.
- Sheet iron design, high quality and better cooling for LED Tj < 85°C.
- The 0-10V Dimming type is continuous.
- 42V PCB output voltage.
- The product can dim to 10%
- DLC 5.1

Power	CCT	Luminous Flux
30W	3500K/4000K/5000K	4350LM
35W	3500K/4000K/5000K	5027LM
40W	3500K/4000K/5000K	5423LM

Structure Features



2ft
4ft
8ft



**15W/20W/25W
25W/30W/40W
55W/60W/65W
65W/75W/91W**

WSD-ST2FT152025W27-3545K-E[Blank,M]
WSD-ST4FT253040W27-3545K-E[Blank,M]
WSD-ST8FT556065W27-3545K-E[Blank,M]
WSD-ST8FT657591W27-3545K-E[Blank,M]

Technical Parameters

CCT:3500K/4000K/5000K Selectable

PF: >0.9 CRI: Ra>80

L70: >100,000 hrs

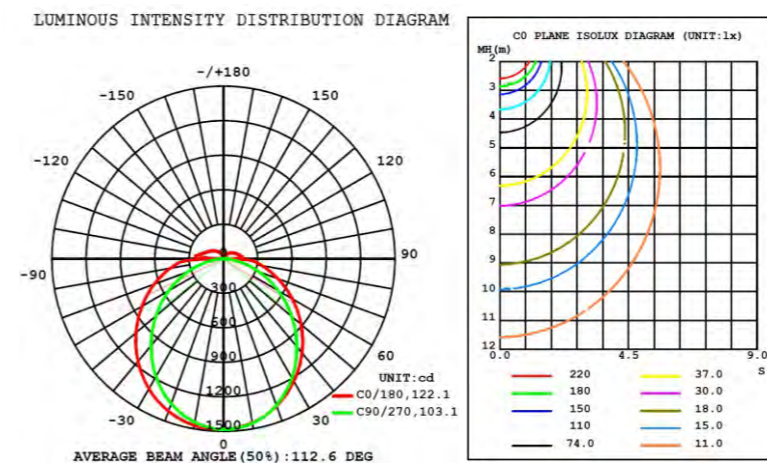
LED Chips: SMD LEDs

Input Voltage: AC120-277V

Protection Level: Damp

Lighting Angle: 112°

Light Distribution Curve

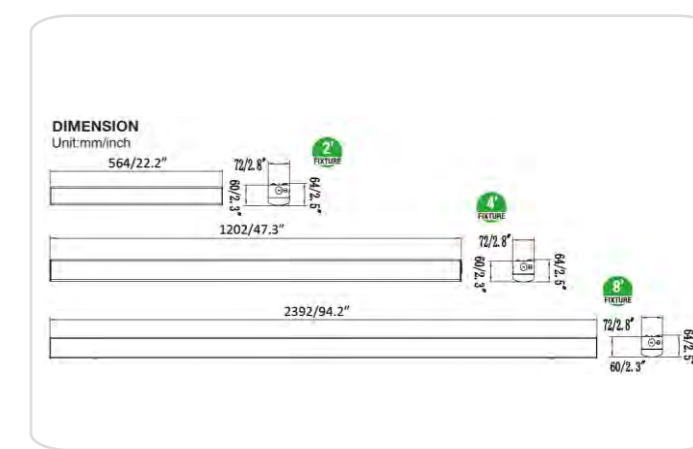


Product description

- Luminous part is integrated and fastened to fixture body by snap-locks.
- End-caps adopt integrated bending technique.
- Field-adjustable light output and CCT.
- 12Vdc auxiliary dimming.
- Motion sensor control available (Optional).

Power	CCT	Luminous Flux
15W(2ft)	3500K/4000K/5000K	2285LM
20W(2ft)	3500K/4000K/5000K	3077LM
25W(2ft)	3500K/4000K/5000K	3719LM
25W(4ft)	3500K/4000K/5000K	3806LM
30W(4ft)	3500K/4000K/5000K	4653LM
40W(4ft)	3500K/4000K/5000K	6100LM
55W(8ft)	3500K/4000K/5000K	8595LM
60W(8ft)	3500K/4000K/5000K	9190LM
65W(8ft)	3500K/4000K/5000K	9677LM
65W(8ft)	3500K/4000K/5000K	10380LM
75W(8ft)	3500K/4000K/5000K	11978LM
91W(8ft)	3500K/4000K/5000K	13409LM

Structure Features





CCT
SELECTABLE



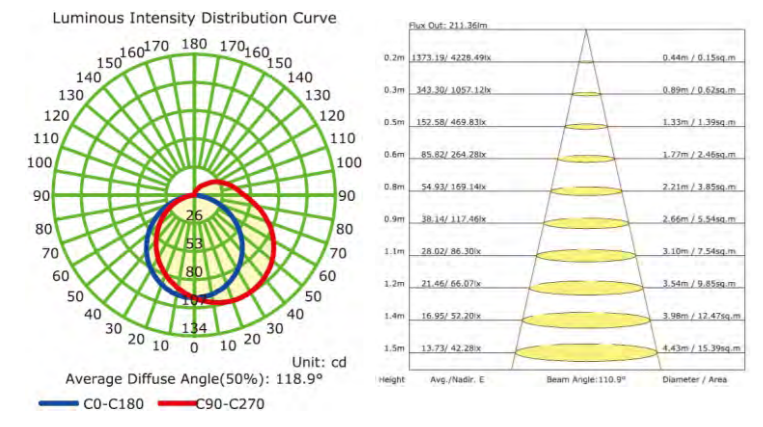
5W/9W/14W/18W

UC12IN05W12-34K
UC24IN09W12-34K
UC33IN14W12-34K
UC42IN18W12-34K

Technical Parameters

PF: >0.9 CRI: Ra>90
L70: >70,000 hrs
LED Chips: Lumileds LED
Input Voltage: AC120V.
Protection Level: Damp Location
Lighting Angle: 117°

Light Distribution Curve

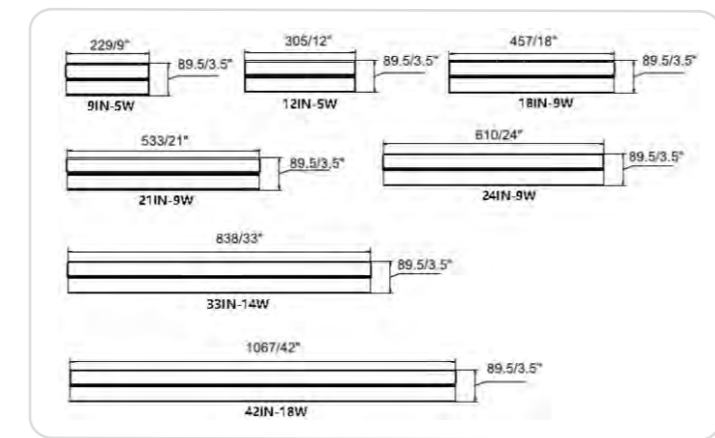


Product description

- UL 1598 suitable for damp locations.
- High efficiency LED Driver, the wide range input voltage AC120V.
- ENERGY STAR certified product (for 3000K and 4000K only) and Title 24 qualified.
- Dedicated 120V Models are FCC title 47CFR, Part 15, Class B for residential and commercial applications.

Power	CCT	Luminous Flux
5W	3000K/4000K	368LM
9W	3000K/4000K	675LM
14W	3000K/4000K	1061LM
18W	3000K/4000K	1283LM

Structure Features



35W/45W/55W

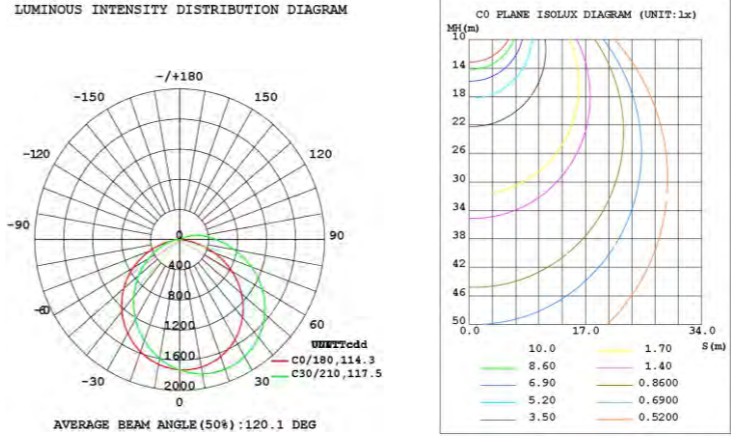
WSD-LSW4F35455W27-3545K-M

Technical Parameters

PF: >0.95 CRI: Ra>80
L70: >100,000 hrs
LED Chips: SMD2835 LED
Input Voltage: AC120-277V
Protection Level: Damp Locations
Lighting Angle: 119°

Power	CCT	Luminous Flux
35W	3500K/4000K/5000K	4200LM
45W	3500K/4000K/5000K	5400LM
55W	3500K/4000K/5000K	6600LM

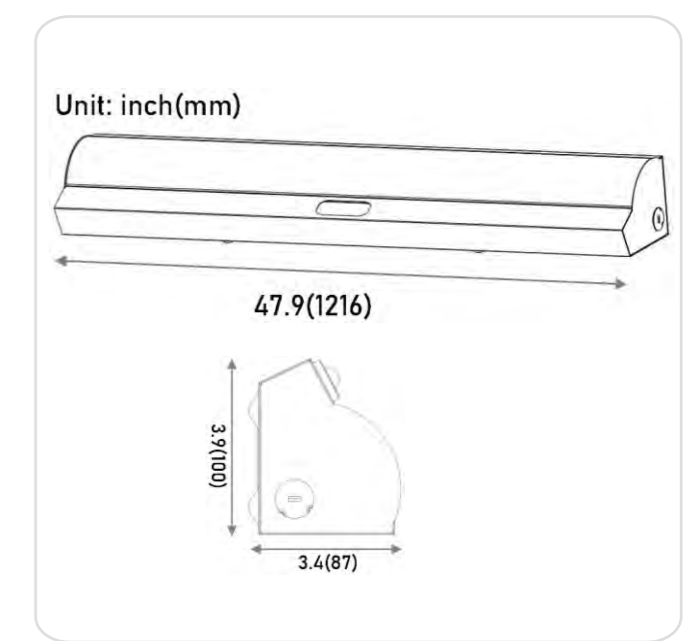
Light Distribution Curve



Product description

- Made of high quality ABS material, high ignition point, more safe.
- Frosted PC lens.
- Fixed or Field-adjustable Power and CCT.
- Driver includes dimming control wiring for 0-10V dimming systems.
- 12Vdc auxiliary.
- DLC 5.1

Structure Features





2'
4'
8'



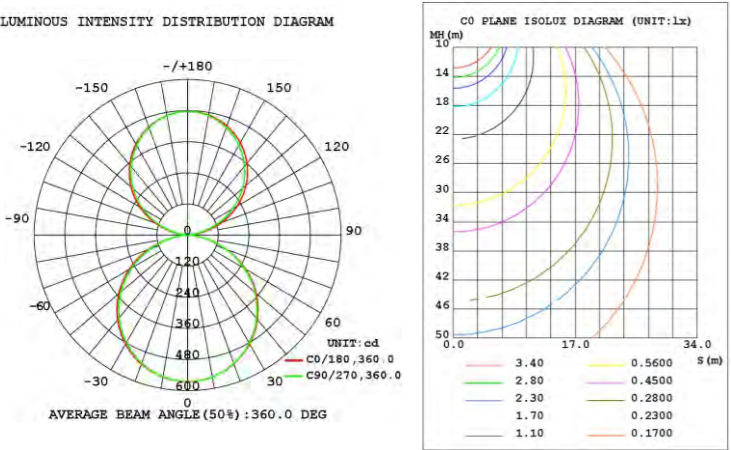
15W/20W/25W
40W/45W/50W
65W/75W/90W

WSD-OL2FT152025W27-3545K-W
WSD-OL4FT404550W27-3545K-W
WSD-OL8FT657590W27-3545K-W

Technical Parameters

PF: >0.90 CRI: Ra>80
L70: >100,000 hrs
LED Chips: SMD2835
Input Voltage: AC120-277V
Protection Level: Damp Locations
Lighting Angle: 360°

Light Distribution Curve

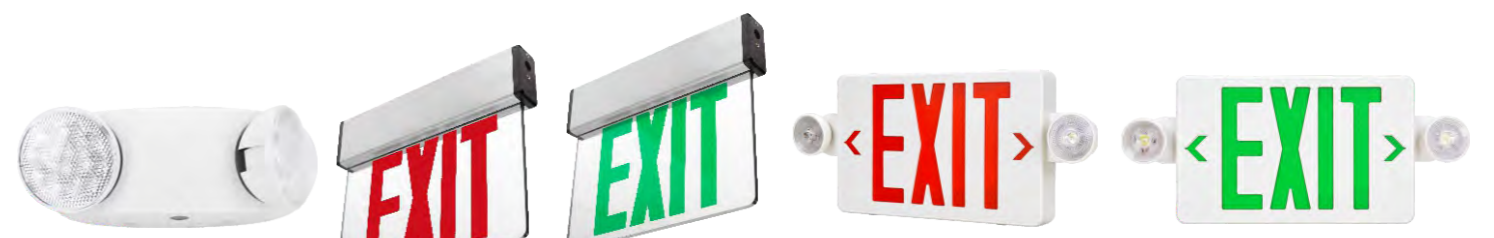
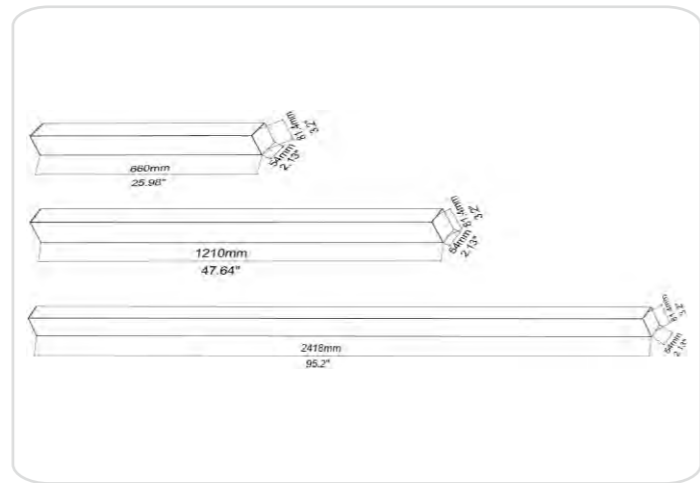


Product description

- 130 lm/W, 1,950lm-11,700lm.
- Field-adjustable Power and CCT.
- Direct-Indirect flux ratio adjustable.
- Continuous run available.
- Multiple connection method.
- Motion Sensor Control Available (Option)
- DLC 5.1

Power	CCT	Luminous Flux
15W(2ft)	3500K/4000K/5000K	1950LM
20W(2ft)	3500K/4000K/5000K	2600LM
25W(2ft)	3500K/4000K/5000K	3250LM
40W(4ft)	3500K/4000K/5000K	5200LM
45W(4ft)	3500K/4000K/5000K	5850LM
50W(4ft)	3500K/4000K/5000K	6500LM
65W(8ft)	3500K/4000K/5000K	8450LM
75W(8ft)	3500K/4000K/5000K	9750LM
90W(8ft)	3500K/4000K/5000K	11700LM

Structure Features



CR-7012 CR-7109R CR-7109G CR-7105R CR-7105G



2.5W/4W/0.9W

CR-7012
CR-7109R
CR-7109G
CR-7105R
CR-7105G

Technical Parameters

Operation Temperature: 0°C ~ 40°C
Emergency Duration: >0.86
Recharge Time: 24 Hours
Input Voltage: AC120-277V 50Hz/60Hz (CR-7012)
AC120/347V 50Hz/60Hz (CR-7109R)
AC120/347V 50Hz/60Hz (CR-7109G)
AC120/277V 60Hz (CR-7105R)
AC120/277V 60Hz (CR-7105G)

Protection Level: Damp
Certification: UL

Accessories (Standard)

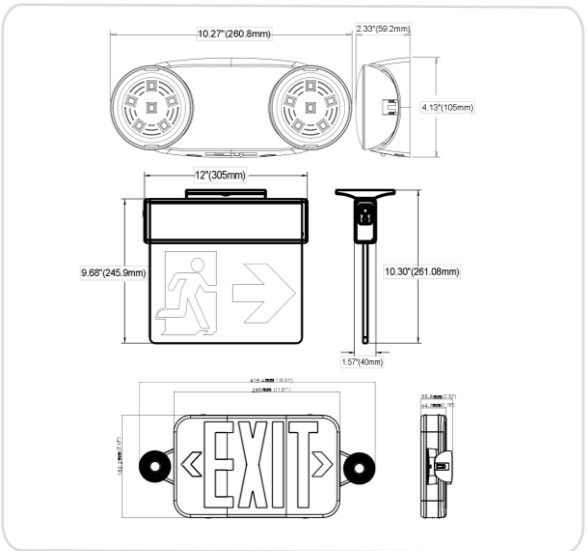


CR-7109R/CR-7109G

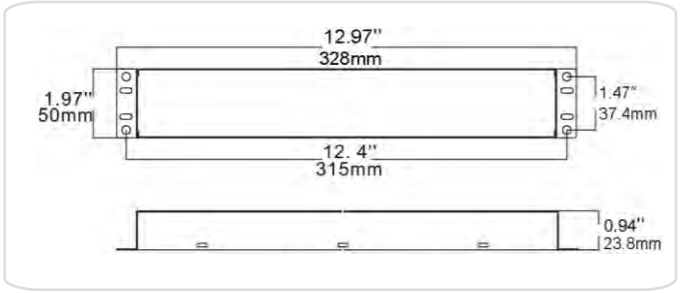
Product description

- LED Emergency Light accord with US STANDARD - Injection-molded, flame-retardant and high impact thermoplastic housing. This exit sign with design is great for placing on doorways, isles, restaurant, office building and warehouses.

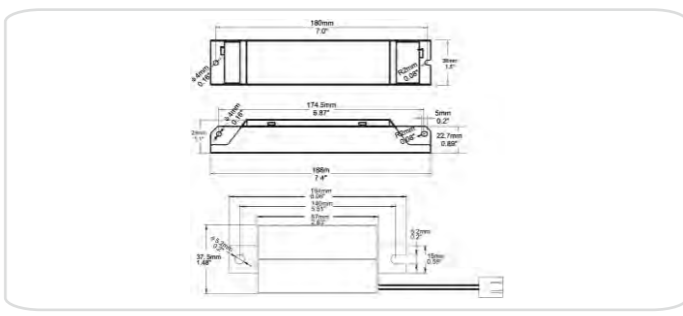
Structure Features



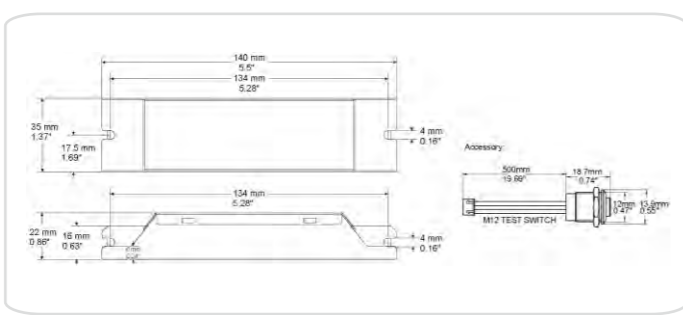
Emergency Backup Battery Driver



Power	Input Voltage	Output Power	Illumination Time	AC Input Current
8W/15W/20W	AC100-347V	8W/15W/20W	90 Minutes	100mA.max



Power	Input Voltage	Output Power	AC Input Current	Recharge Time
8W/15W/20W	AC100-347V	8W/15W/20W	100mA.max	≥24Hours



Power	Input Voltage	Output Power	AC Input Current	Recharge Time
4W	AC100-277V	4W	100mA.max	≥24Hours



WSD-EMLY15W27-XX
Applicable to Back-lit LED Panel Light

Power	Input Voltage	Output Voltage	Recharge Time
15W	AC100-347V	30V-60V	≥24Hours



WSD-EMUFO40W347-R
Applicable to UFO LED High Bay Light

Power	Input Voltage	Output Voltage	Emergency Time
40W	AC100-347V	170 VDC	90 Min

Microwave Motion Sensor



PIR Sensor
BRI819P-B-O
(ON-OFF Sensor)



Bi-Level Sensor
BRI810-C-F



Bi-Level Sensor
ANT-5-4T



PIR Occupany Sensor
ANT-1P-4T-BLE



Bi-Level Sensor
BRI823-B-D



Bi-Level Sensor
BRI810-B-M10

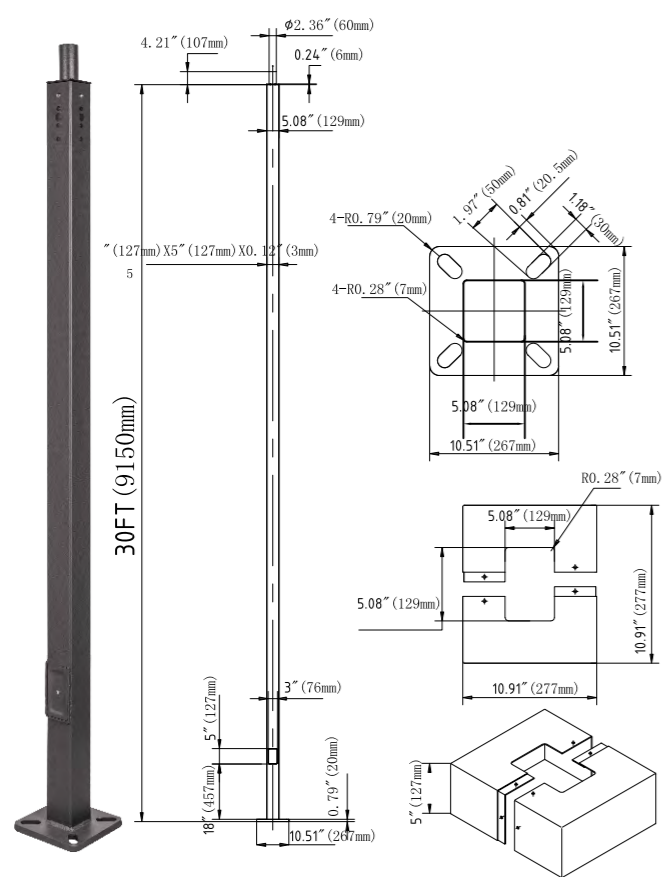


Remote Controller
RC-100



PIR Occupany Sensor
ANT-1P-4T-BLE

Straight Square Steel Poles

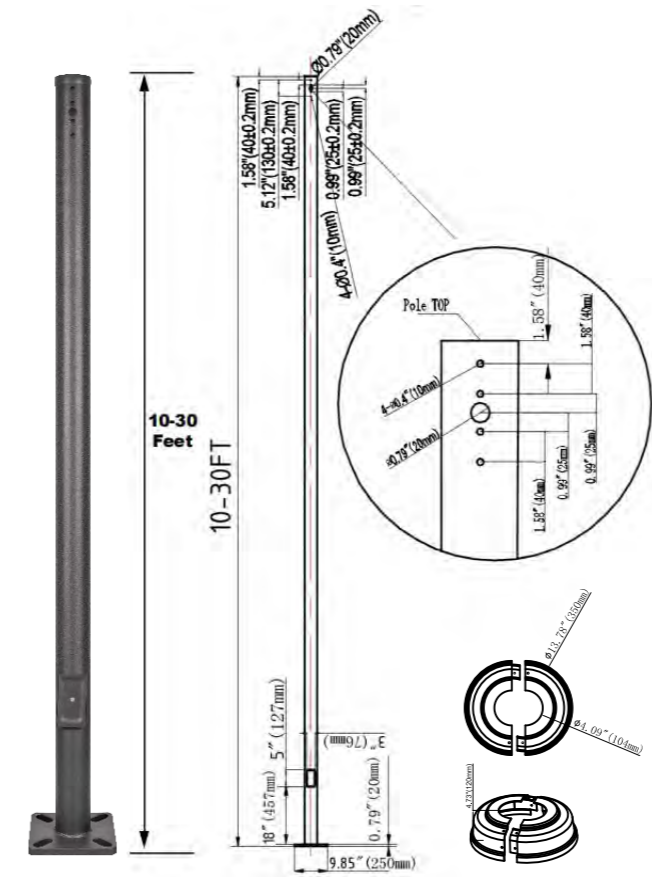


Product description

- Conforms to ASTM-A500 Grade B: Minimum Yield Strength of 46,000PSI.
- Hot dip galvanized with Bronze Powder coat Finished, Baked to Ensure Maximum Paint Adhesion, Hardness and Durability.
- Cast Iron Reinforced Hand Hole and Cover with Ground Screw.
- Poles are Available in Standard Lengths as Shown in the Order Matrix. Poles can be Custom Cut to Order. Consult Factory.
- Standard Length Poles Include 2-3/8" Tenon" OD Tenon, Side Drilled 4@90 Degrees, Polycarbonate Top Cover and Hole Plugs for Unused Drilling Locations.
- Poles are Provided With a Two-Piece Formed Steel Base Cover that is Easily Assembled and Fitted Over Pole Base
- Anchor Bolts are Included, Sized Based on Pole Data Charts for the Selected Pole Size.

(NOTE: BASE COVER, ANCHOR KIT, POSITION PLATE & ACCESSORIES SOLD SEPARATELY)

Straight Round Steel Poles



Product description

- Conforms to ASTM-A500 Grade B: Minimum Yield Strength of 46,000PSI.
- Hot dip galvanized with Bronze Powder coat Finished, Baked to Ensure Maximum Paint Adhesion, Hardness and Durability.
- Cast Iron Reinforced Hand Hole and Cover with Ground Screw.
- Poles are Available in Standard Lengths as Shown in the Order Matrix. Poles can be Custom Cut to Order. Consult Factory.
- Side Drilled 2@180 Degrees, Polycarbonate Top Cover and Hole Plugs for Unused Drilling Locations.
- Anchor Bolts are Included, Sized Based on Pole Data Charts for the Selected Pole Size.
- Poles are Provided With a Two-Piece Formed Steel Base Cover that is Easily Assembled and Fitted Over Pole Base

(NOTE: BASE COVER, ANCHOR KIT, POSITION PLATE & ACCESSORIES SOLD SEPARATELY)

Specifications:

Specification type	10FT	15FT	20FT	25FT	30FT
WSD-10FT4-11G-D-T					
WSD-15FT4-11G-D-T					
WSD-20FT4-11G-D-T	L=3.0 (m)	L=4.6 (m)	L=6.1 (m)	L=7.6 (m)	L=9.1 (m)
WSD-25FT4-11G-D-T					
WSD-30FT5-11G-D-T					

Specifications:

Specification type	10FT	15FT	20FT	25FT	30FT
WSD-R10FT3-11G-D					
WSD-R15FT4-11G-D					
WSD-R20FT4-11G-D	L=3.0 (m)	L=4.6 (m)	L=6.1 (m)	L=7.6 (m)	L=9.1 (m)
WSD-R25FT4-11G-D					
WSD-R30FT5-11G-D					

ORDERING EXAMPLE: WSD-10FT4-11G-D-T

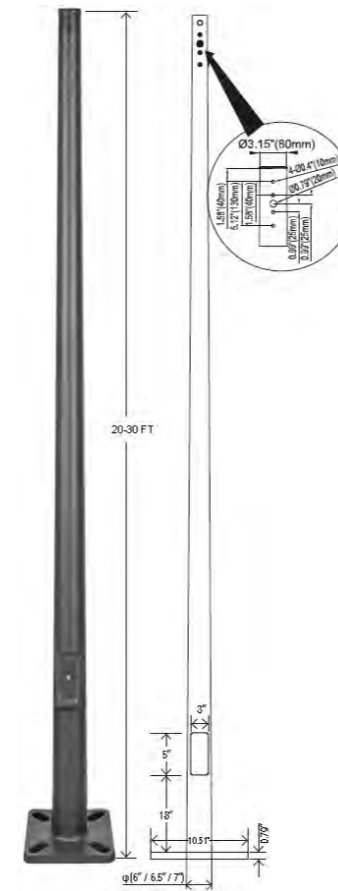
WSD Company	10FT Height	4 Size	11G Wall Thickness	D Finish	T Mounting
	10FT(3.0M)				
	15FT(4.6M)	4(4x4in.)		D	
WSDLED	20FT(6.1M)	5(5x5in.)	11(11gauge)	Dark Bronze	2.5 inch adapter
	25FT(7.6M)				
	30FT(9.1M)				

ORDERING EXAMPLE: WSD-10FT4-11G-D-T

WSD Company	R Product	10FT Height	3 Size	11G Wall Thickness	D Finish
		10FT(3.0M)			
		15FT(4.6M)	3 (3inch)		D
WSDLED	Round Steel Pole	20FT(6.1M)	4 (4inch)	11(11gauge)	Dark Bronze
		25FT(7.6M)	5 (5inch)		
		30FT(9.1M)			



Round Tapered Steel Poles



MOUNTING OPTIONS



Product description

- **FINISH:** Textured architectural bronze powder-coat finish, baked to ensure maximum paint adhesion, hardness and durability.
- **ANCHOR BOLTS:** Anchor bolts are not included, sized based on pole data charts for the selected pole size.
- **HAND HOLE:** Cast iron reinforced hand hole and cover with ground screw.
- **BASE COVER:** Poles are provided with a two-piece formed steel base cover that is easily assembled and fitted over pole base.
- **SURFACE TREATMENT:** Hot-dip galvanizing.
- **POLE LENGTH:** Poles are available in standard lengths as shown in the order matrix. Poles can be custom cut to order. Consult factory.
- **SPECIFICATIONS:** Conforms to ASTM-A 500 Grade B: Minimum Yield Strength of 46,000 PSI.

(NOTE: BASE COVER, ANCHOR KIT, POSITION PLATE & ACCESSORIES SOLD SEPARATELY)

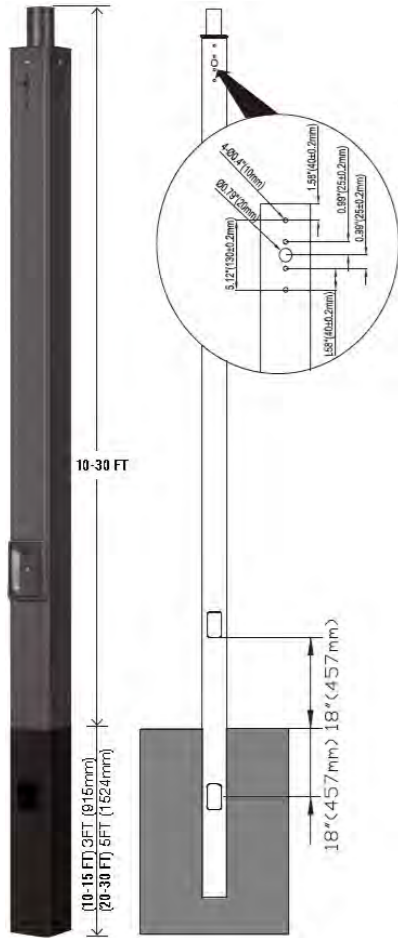
Specifications:

SPECIFICATION	20FT	25FT	30FT
WSD-TPR20FT6-11G-D	L=6.1 (m)	L=7.6 (m)	L=9.1 (m)
WSD-TPR25FT6.5-11G-D			
WSD-TPR30FT7-7G-D			

ORDERING EXAMPLE: WSD-TPR20FT6-11G-D

WSD Company	TPR Product	20FT Ground Height	6 Size	11G Thickness	D Finish
	Round	20FT(6.1M)	6-(Bottom Caliber ϕ 6")	11-(11 gauge)	D-(Dark Bronze)
	Tapered	25FT(7.6M)	6.5-(Bottom Caliber ϕ 6")	7-(7 gauge)	W-(White)
WSD LED INC	Steel Pole	30FT(9.1M)	7-(Bottom Caliber ϕ 6")		B-(Black)
					G-(Grey)

Straight Square Steel Poles



Product description

- Textured architectural bronze powder-coat finish, baked to ensure maximum paint adhesion, hardness and durability.
- Anchor bolts are not included, sized based on pole data charts for the selected pole size.
- Poles are available in standard lengths as shown in the order matrix. Poles can be custom cut to order. Consult factory.
- Hot-dip galvanizing.
- Note: When using Arm or Slip-Fitter Mounts, additional installation parts may be required to ensure proper installation. (example: with Slip-fitter a bullhorn will be the option) see: additional installation parts for more options
- SPECIFICATIONS: Conforms to ASTM-A 500 Grade B: Minimum Yield Strength of 46,000 PSI.

DIRECT UNDERGROUND BURIAL:



BLACK ASPHALTUM: Black Asphaltum is an economical, highly protective, acid and alkali-resistant coating designed for Direct burial Light Pole use.

This protective coating is applied on either galvanized or powder-coated products to add a supplemental layer of corrosion protection. This combination of galvanizing and/or powder coating coupled with black Asphaltum provides the best below-grade corrosion resistance in the Light Pole industry.

ADVANTAGE:

- Rust proofing properties
- Superior resistance to acids and alkali
- Outstanding adhesion and wear resistance

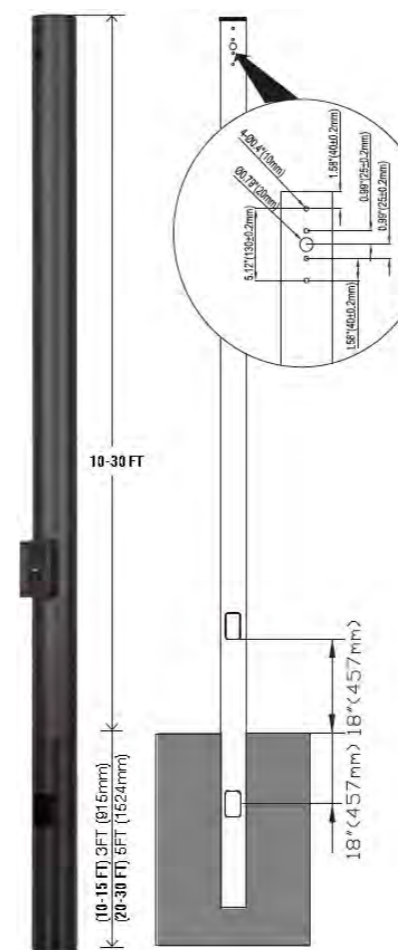
Specifications:

Specification type	10FT	15FT	20FT	25FT	30FT
WSD-DBS10FT4-11G-D-T					
WSD-DBS15FT4-11G-D-T	L=3.0 (m) (Ground Height)	L=4.6 (m) (Ground Height)	L=6.1 (m) (Ground Height)	L=7.6 (m) (Ground Height)	L=9.1 (m) (Ground Height)
WSD-DBS20FT4-11G-D-T					
WSD-DBS25FT4-11G-D-T					
WSD-DBS30FT5-11G-D-T					

ORDERING EXAMPLE: WSD-DBS10FT4-11G-D-T

WSD Company	DBS Product	10FT Height	4 Size	11G Thickness	D Finish	T Mounting
		10FT(3.0M)				
	Direct Burial Straight Square Steel poles	15FT(4.6M)	4-(4"x4")		D	T
WSD LED INC		20FT(6.1M)	5-(5"x5")	11G-(11gauge)	Dark Bronze	2.5 inch adapter
		25FT(7.6M)				
		30FT(9.1M)				

Straight Round Steel Poles



Product description

- Textured architectural bronze powder-coat finish, baked to ensure maximum paint adhesion, hardness and durability.
- Anchor bolts are not included, sized based on pole data charts for the selected pole size.
- Poles are available in standard lengths as shown in the order matrix. Poles can be custom cut to order. Consult factory.
- Hot-dip galvanizing.
- Note: When using Arm Mounts, additional installation parts may be required to ensure proper installation. (example: with Slip-fitter a bullhorn will be the option) see: additional installation parts for more options.
- SPECIFICATIONS: Conforms to ASTM-A 500 Grade B: Minimum Yield Strength of 46,000 PSI.

DIRECT UNDERGROUND BURIAL:



BLACK ASPHALTUM: Black Asphaltum is an economical, highly protective, acid and alkali-resistant coating designed for Direct burial Light Pole use.

This protective coating is applied on either galvanized or powder-coated products to add a supplemental layer of corrosion protection. This combination of galvanizing and/or powder coating coupled with black Asphaltum provides the best below-grade corrosion resistance in the Light Pole industry.

ADVANTAGE:

- Rust proofing properties
- Superior resistance to acids and alkali
- Outstanding adhesion and wear resistance

Specifications:

Specification type	10FT	15FT	20FT	25FT	30FT
WSD-RDB10FT4-11G-D					
WSD-RDB15FT4-11G-D	L=3.0 (m) (Ground Height)	L=4.6 (m) (Ground Height)	L=6.1 (m) (Ground Height)	L=7.6 (m) (Ground Height)	L=9.1 (m) (Ground Height)
WSD-RDB20FT4-11G-D					
WSD-RDB25FT4-11G-D					
WSD-RDB30FT5-11G-D					

ORDERING EXAMPLE: WSD-10FT4-11G-D-T

WSD Company	RDB Product	10FT Height	4 Size	11G Thickness	D Finish
		10FT(3.0M)			
	Direct Burial Straight Round Steel poles	15FT(4.6M)	4-(4"x4")		D
WSD LED INC		20FT(6.1M)	5-(5"x5")	11G-(11gauge)	Dark Bronze
		25FT(7.6M)			
		30FT(9.1M)			

Vertical Tenon Adaptor



Ordering Information

Examples: WSD -VTS4/S5-D WSD -VTS4R-2T-D WSD -VTS4R-3T-D WSD -QT90-3T-D WSD -QT120-3T-D WSD -QT90-4T-D

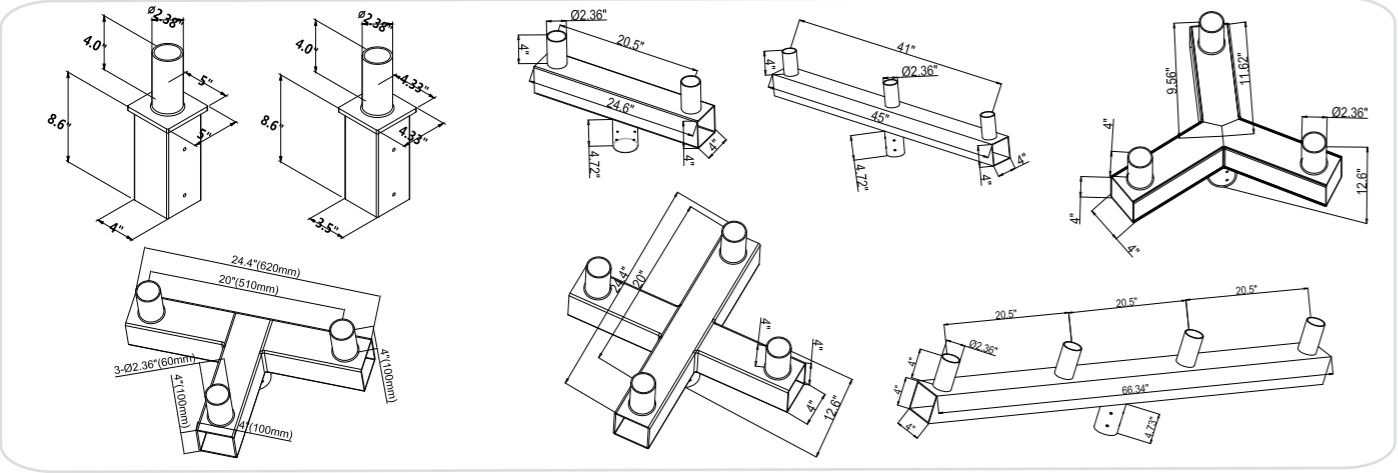
WSD	Series	Pole Tenon Size	Finish
	Vertical Tenon	2.5 = 2-3/8" O. D.	D = Dark Bronze
		4 = 4" O. D. & 5 = 5" O. D.	W = White
		S4/S5 = Fits 4"/5" Square Pole	S = Silver Gray
		QT = Quad Tenon	
		T = Tenon	

Features & Specifications

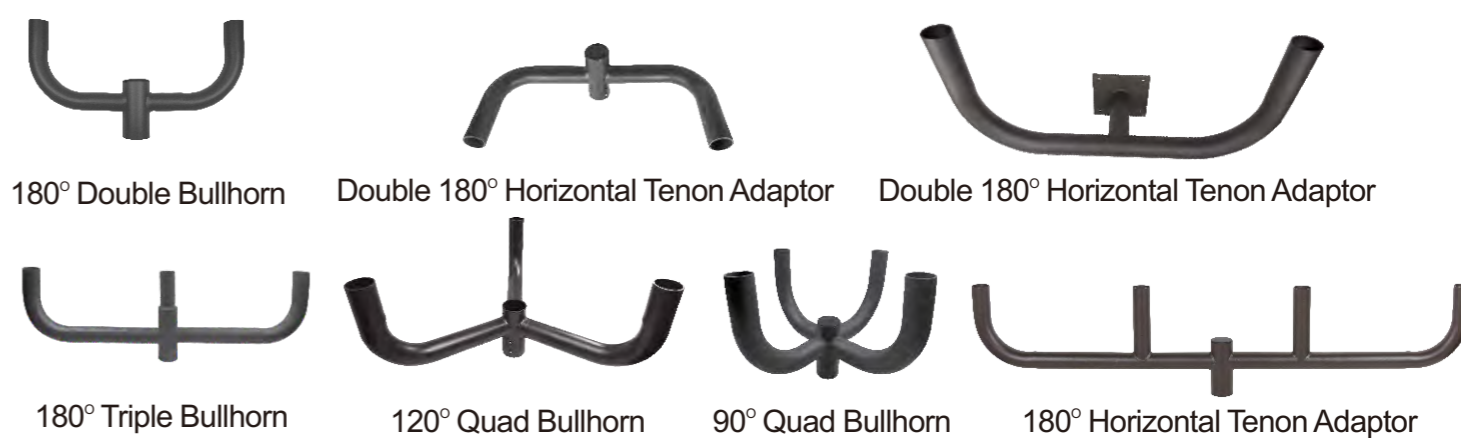
Intended Use
For round and square straight steel poles.

Construction
Steel: Body is constructed from A500 Grade B steel. Welding follows industry standards best practices.
Weather and fade resistant polyester powder coating. Formulated for high-durability and long lasting color.

Installation
Mounting hardware is included.



Round Bullhorn



Ordering Information

Example: WSD -RB2.5D180-D WSD-RB2.5D180H-D WSD-VTS4R-2T-D

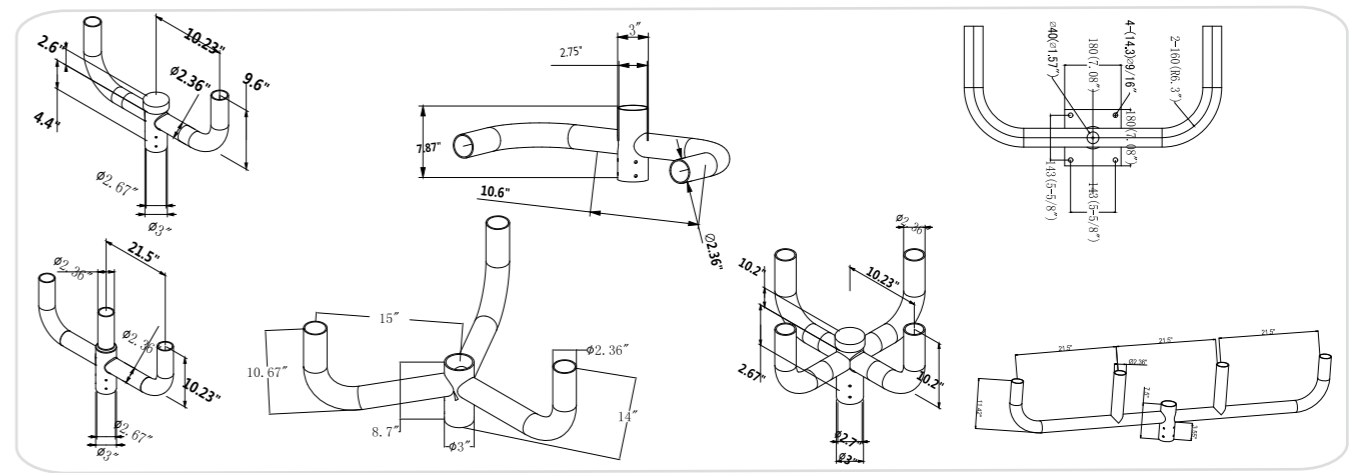
WSD	Series	Pole Tenon Size	Bullhorn Type	Finish
	Round Bullhorn	2.5 = 2-3/8" O. D.	D180 = Double 180°	D = Dark Bronze
	Vertical Tenon	3 = 3" O. D.	TR180 = Triple 180°	W = White
		4 = 4" O. D.	QD90 = Quad 90°	S = Silver Gray
			H = Horizontal	
			R = Round	
			T = Tenon	

Technical Specifications

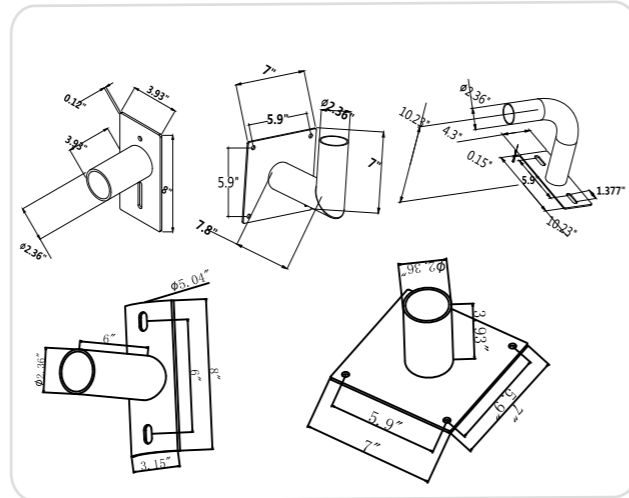
Construction

Finish:
Weather and fade resistant polyester powder coating. Formulated for high-durability and long lasting color.

Bullhorns:
Tenons for slip fitters. Bullhorns fit 2 3/8" (6cm) O.D. tenons and accommodate 2 3/8" (6cm) slip fitters.



Wall Mount Adaptor



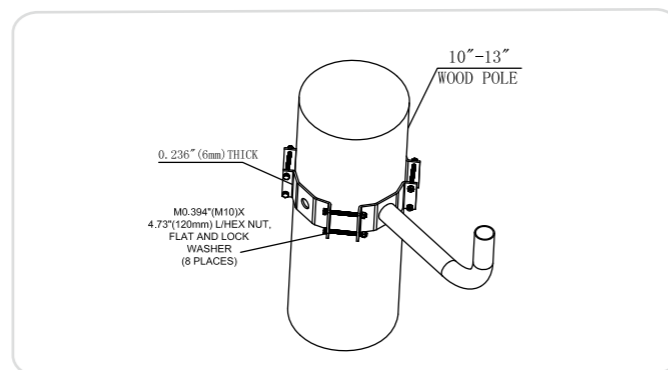
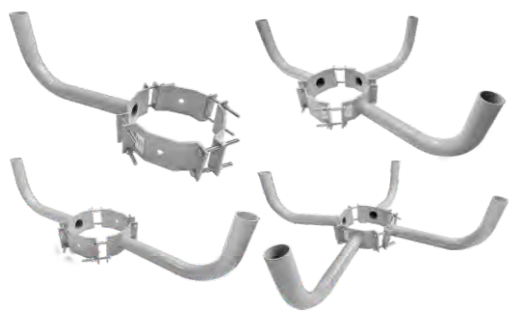
Ordering Information

Example: WSD -ADP2.5-D WSD -ADP2.5-90-D WSD -ADP2.5-90H-D WSD -ADP2.5-BAR5-D

WSD -ADP2.5-BAR5-D

WSD	Series	Fixtures Tenon Type	Finish
	ADP2.5 = Adaptor 2-3/8"	90 = Wall Mount 90°	D = Dark Bronze
		180 = Wall Mount 180°	W = White
		H = Horizontal	S = Silver Gray

Wooden Pole Bracket kit



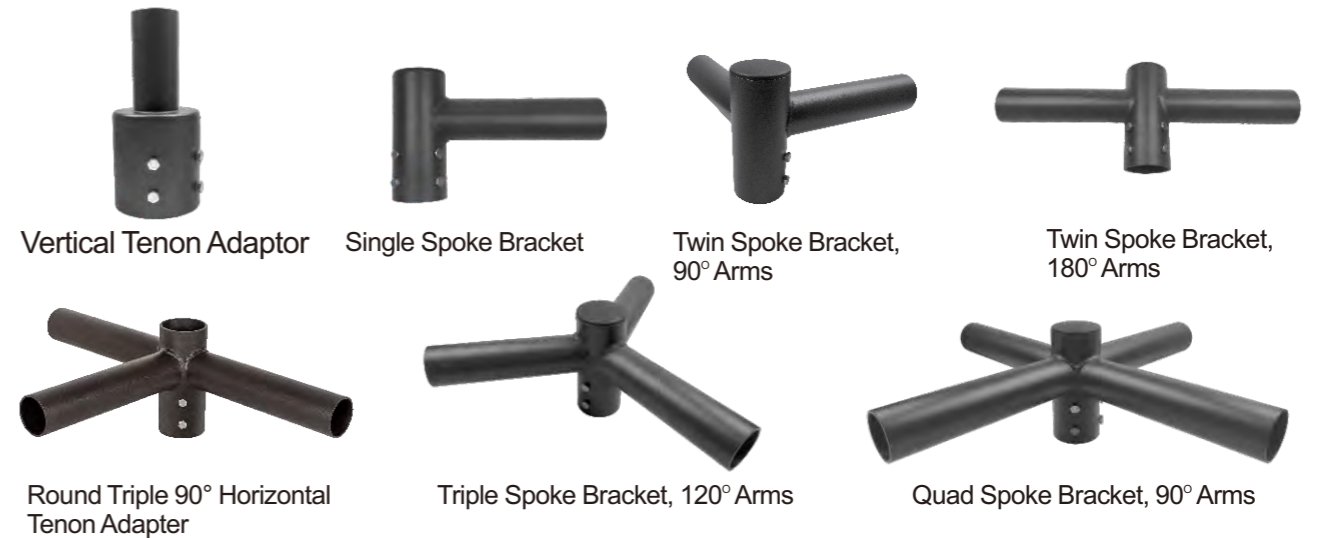
Ordering Information

Example: WSD-WB1013inch-BH-S

WSD-WB1013inch-PL-S

WSD	Series	Pole Tenon Type	Style	Finish
Company	WB = Wooden Bracket	1013 = Fits 10" -13" Pole	BH	S = Silver Gray
WSD LED INC			PL	

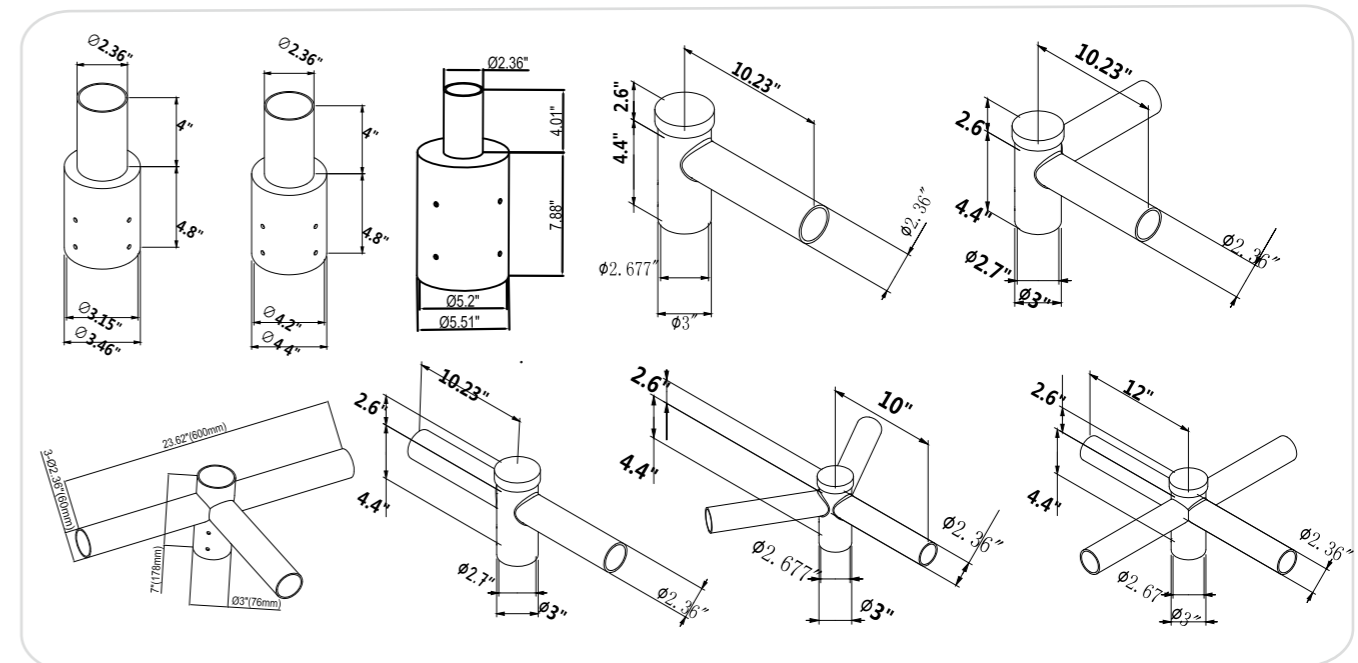
Spoke Brackets



Ordering Information

Example: WSD -VT3-D WSD -VT4-D WSD -VT5-D WSD -SB2.5TW90-D

WSD	Series	Pole Tenon Size	Pole Tenon Size	Finish
	Spoke Brackets	2.5 = 2-3/8" O. D.	S = Single	D = Dark Bronze
	Vertical Tenon	3 = 3" O. D.	TW90 = Twin90	W = White
		4 = 4" O. D.	TW180 = Twin180	S = Silver Gray
		4 = 4" O. D.	TR120 = Triple120	
		5 = 5" O. D.	QD90 = Quad90	



LED GROW LIGHTS



660W

MB2-660W27-V1-XX

Technical Parameters

Spectrum: V1 F1 E1 T1

Weight: 22.05lbs/10kg

Dimming: 0-10V Dimmable

Warranty: 5 Years

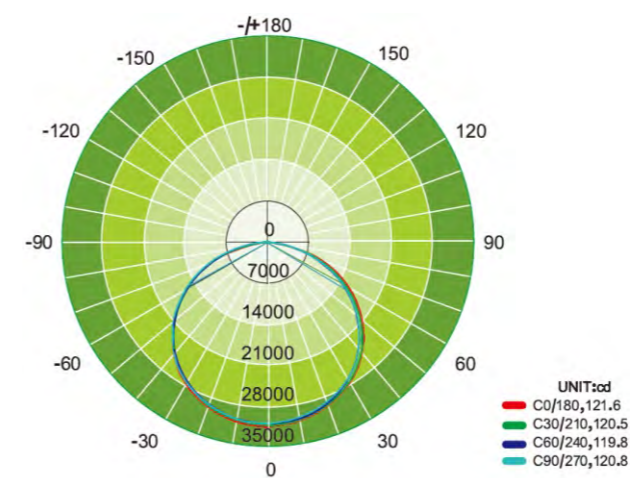
Light Source: Samsung/OSRAM

Input Voltage: AC120-277V or AC347-480V.

Thermal Management: Passive

Max.Ambient Temperature:95°F/35°C

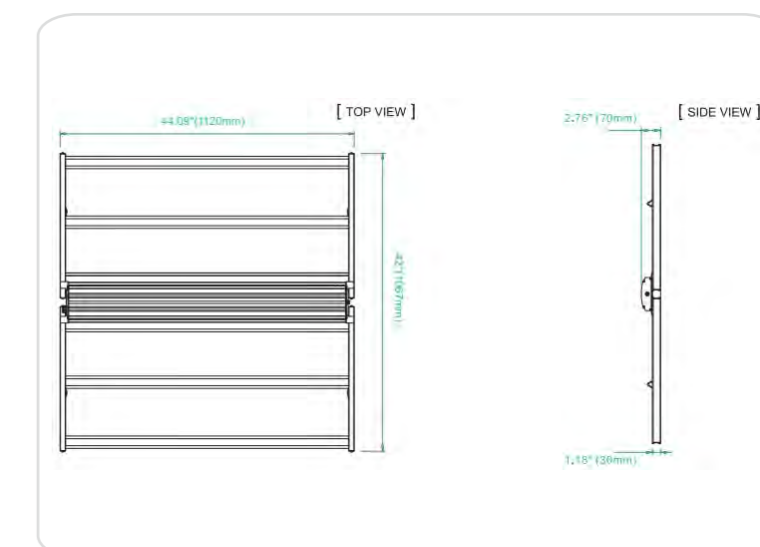
Luminous distribution diagram



Product description

- Full spectrum with enhanced red for full cycle grow.
- Efficacy is up to 2.48 $\mu\text{mol/J}$.
- Easy to install, just plug and play.
- Using Samsung LM301b & Osram LED Chip.

Structure Features





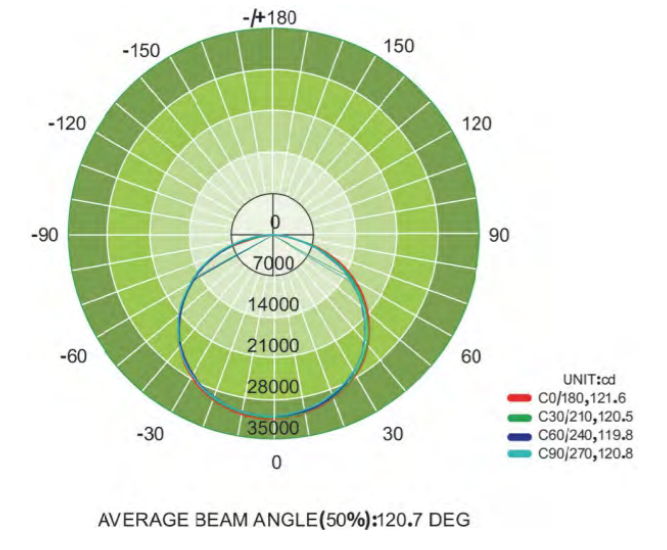
720W/800W

MB2-720W27-V1-XX
MB2-800W27-V1-XX

Technical Parameters

Spectrum: V1 F1
Weight: 26.46lbs/12kg
Dimming: 0-10V Dimmable
Warranty: 5 Years
Light Source: Samsung/OSRAM
Input Voltage: AC120-277V or AC347-480V.
Thermal Management: Passive
Max.Ambient Temperature:95°F/35°C

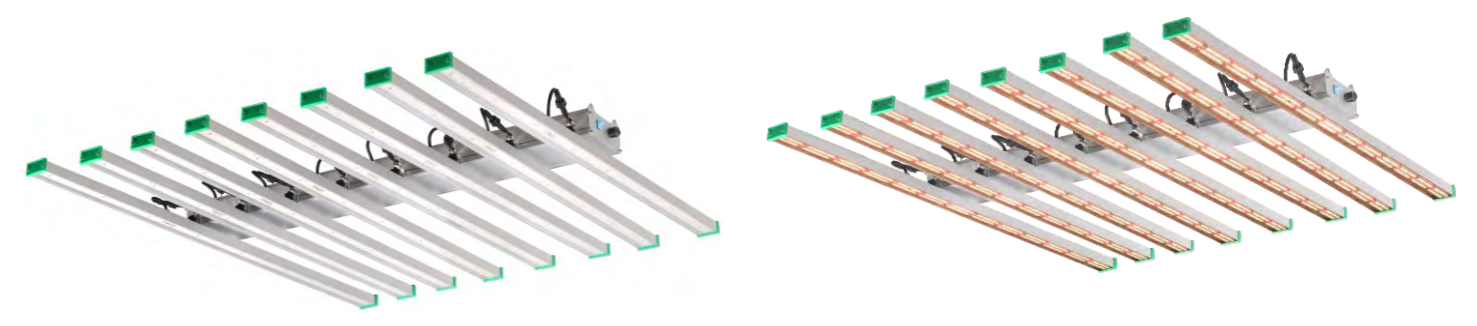
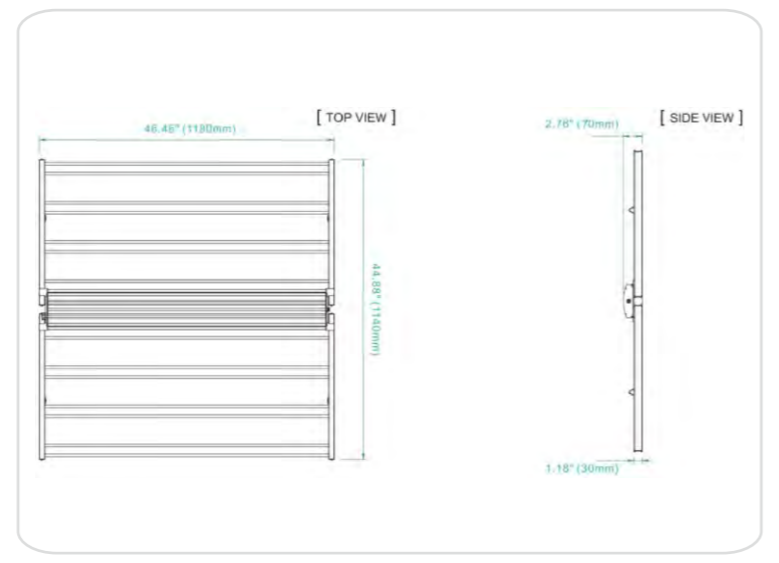
Luminous distribution diagram



Product description

- Full spectrum with enhanced red for full cycle grow.
- Efficacy is up to 2.48(720W)/2.7(800)μmol/J.
- Easy to install, just plug and play.
- Using Samsung LM301b & Osram LED Chip.

Structure Features



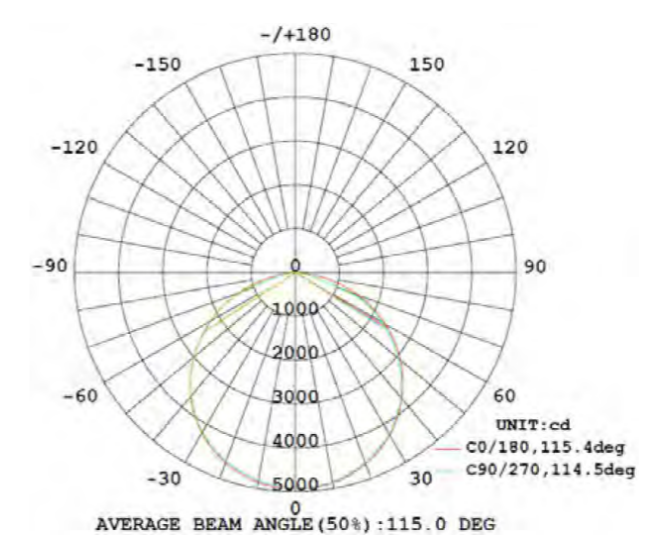
760W

WSD-GL760W27-F1-S

Technical Parameters

PPF: 1976 umol/s
PPE: 2.60 umol/j
BTUs: 2283 BTU/hrs
Dimming: 40-100%
Warranty: 5 Years
Mini Power Factor: >0.95
Input Voltage: AC120-277V
Thermal Management: Passive
Max Operation Temp:113°F/45°C

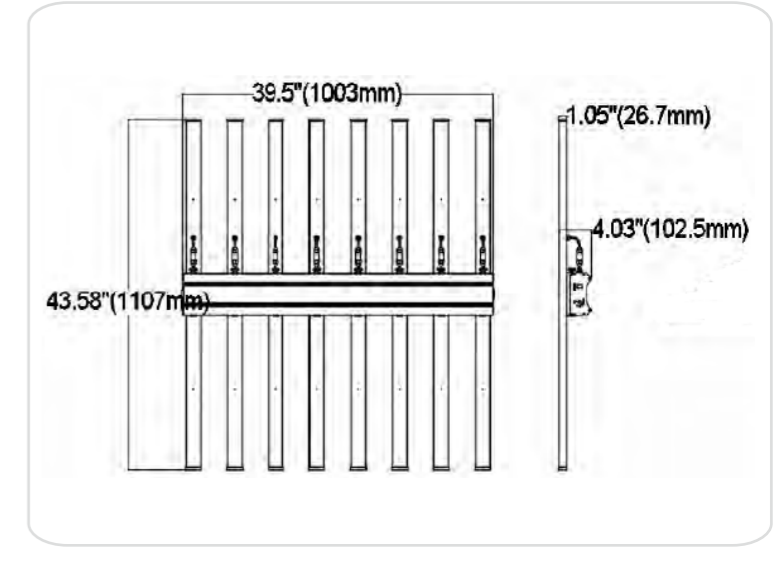
Luminous distribution diagram



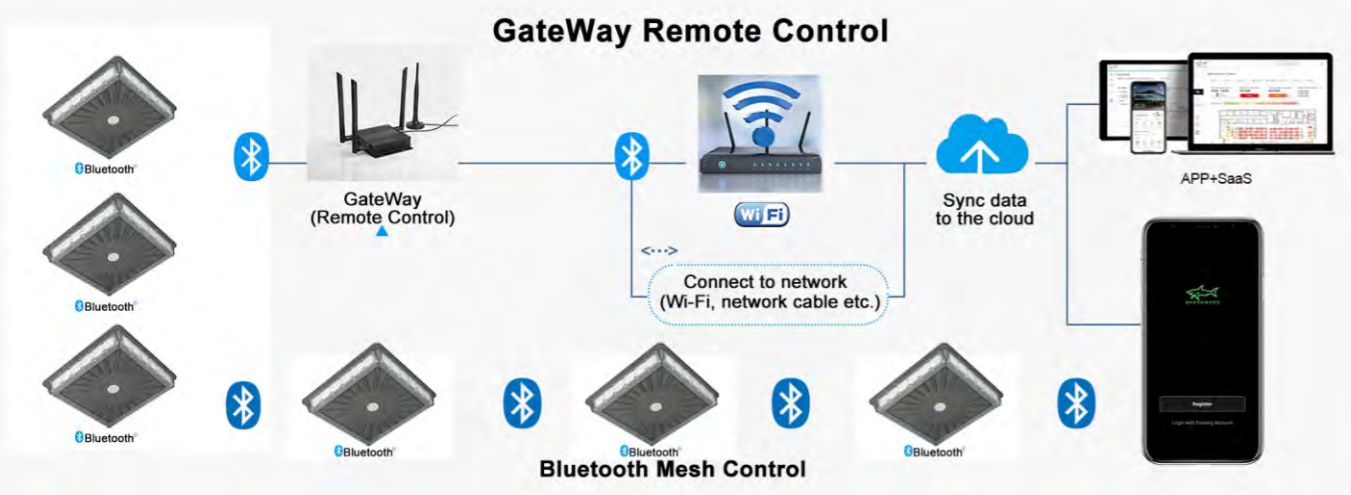
Product description

- Shell Materials: Aluminum & PC
- Finish: Silvery
- Net weight: 13.4kg(29.5lbs)

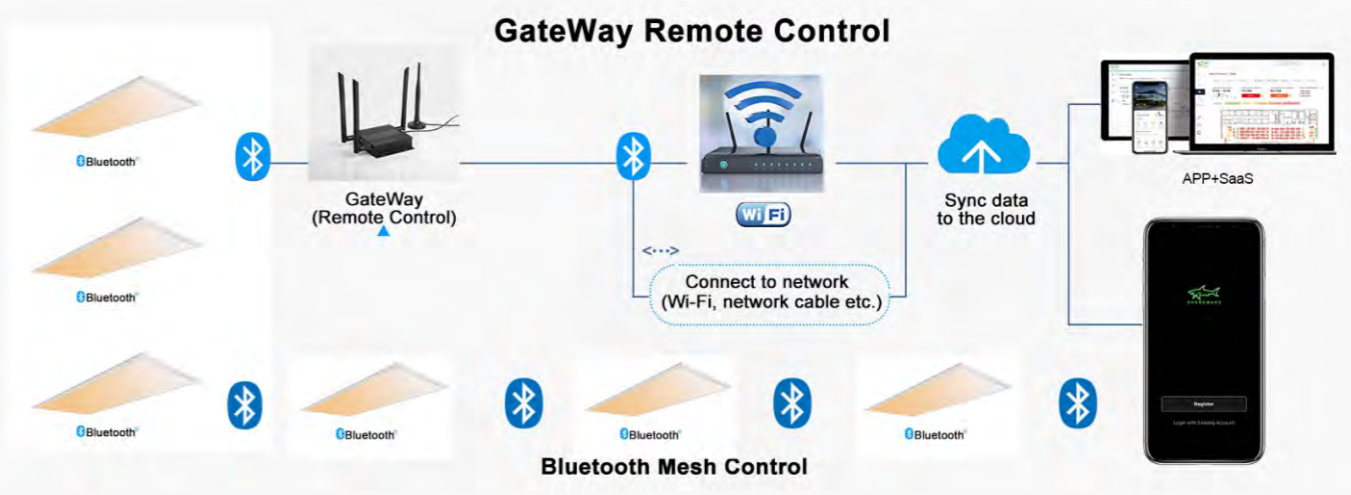
Structure Features



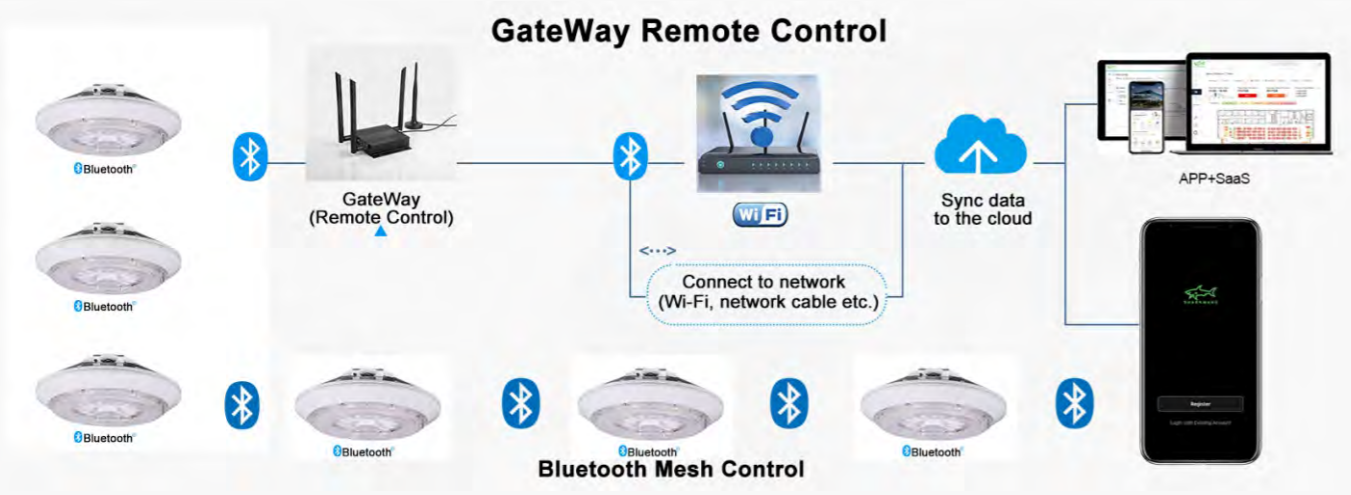
Parking Garage Canopy



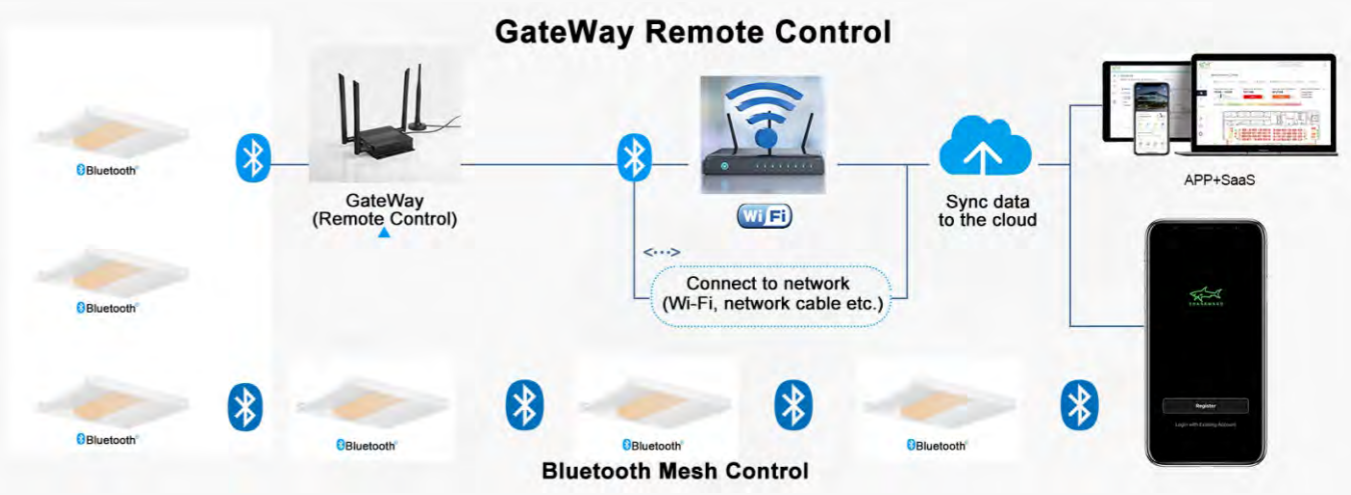
Back-Lit Panel Light



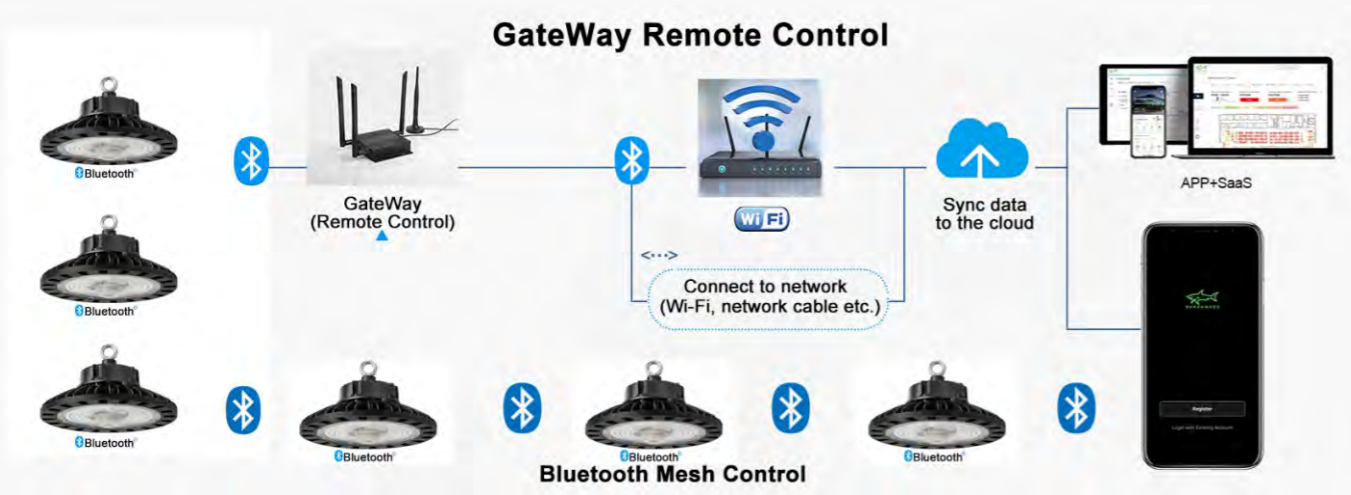
Uplight Parking Garage Canopy



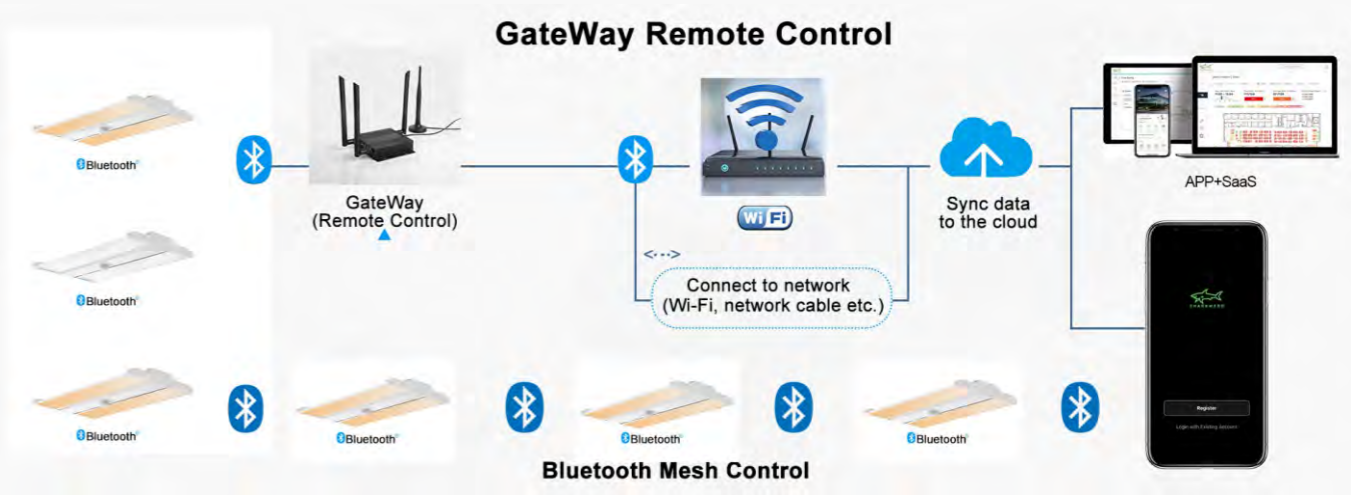
Troffer Light



UFO High Bay Light



Linear Highbay Light



What is "WisdomMind"

WisdomMind is a LoRaWAN™-based roadway and street lighting management system which is dedicated to transform the traditional lighting system into an environment-friendly and energy-saving smart IoT lighting system.

- It enables city authorities to provide a better lighting service for its residents, as well as reduce a considerable municipal expense on public lighting in an easier way.

What is **LoRa™** and **LoRaWAN™** ?

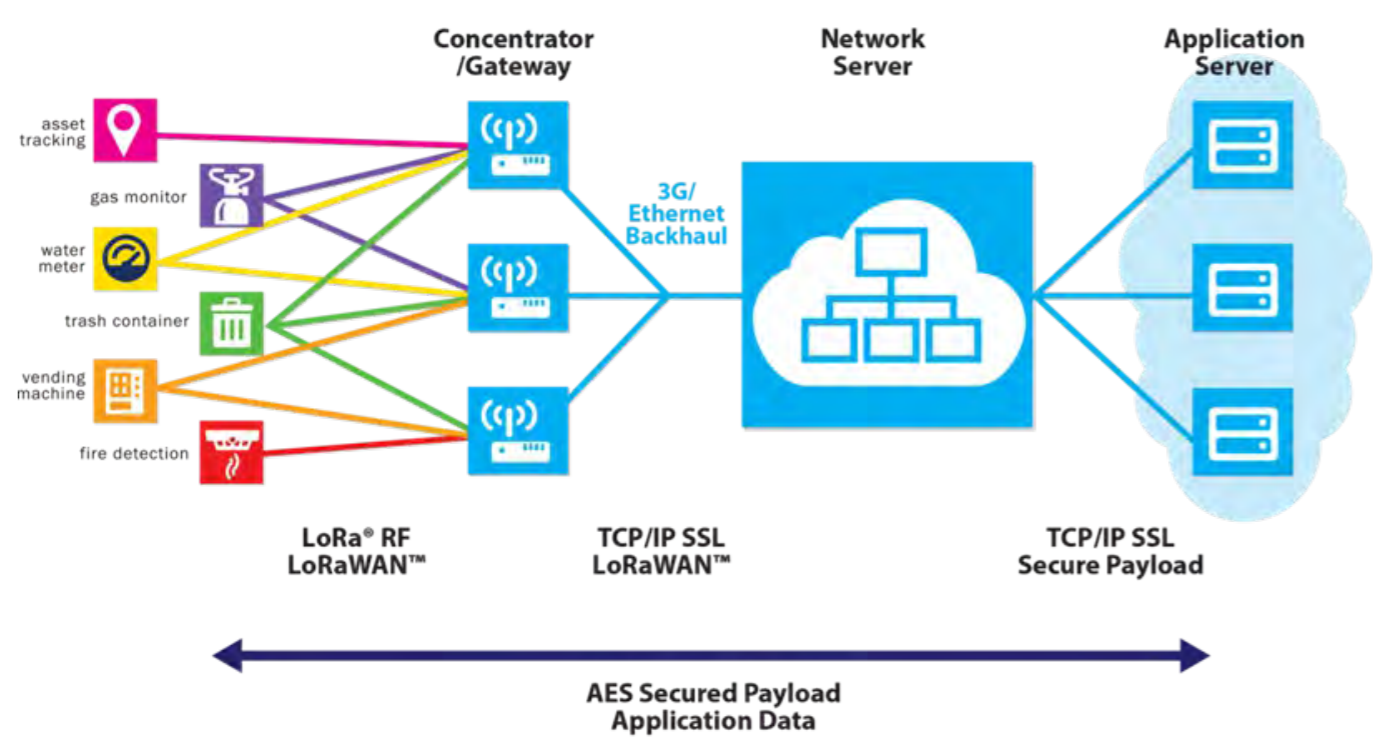
LoRa™ technology offers a very compelling mix of long range, low power consumption and secure data transmission. Public and private networks using this technology can provide coverage that is greater in range compared to that of existing cellular networks.

- Its outstanding features: **low power, long range, high immunity and low cost** make it to be the prevailing technology choice for building IoT networks worldwide.

LoRaWAN™ is a LPWAN protocol specification built on top of the LoRa™ technology. It uses unlicensed radio spectrum in the Industrial, Scientific and Medical (ISM) bands to enable low power, wide area communication between remote sensors and gateways connected to the network.

This standards-based approach to building a LPWAN allows for quick set up of public or private IoT networks anywhere using hardware and software that is **bi-directionally secure, interoperable and mobile, provides accurate localization,** and works the way you expect.

LoRaWAN Network Topology



Longer, Simpler, Safer and Smarter



LONG RANGE
Up to **3-5 km** in urban area
15-30 km in rural area



STAR TOPOLOGY
A simpler **Point to point** network structure between Gateway and Light nodes delivers a much more stable communication.



DATA ENCRYPTION
Each LoRaWAN™ device is personalized with a unique **128 bit AES key** (called AppKey) and a **globally unique identifier** (EUI-64-based DevEUI), both of which are used during the device authentication process.



SPREAD SPECTRUM
Due to the unique spread spectrum based modulation, LoRaWAN™ acquires a very **high interference immunity** and **high reception sensitivity** comparing to other LPWAN technologies.



Functionability-how "WisdomMind" can help

ON/OFF CONTROL

Lighting system management authorities can use WisdomMind to turn on/off lights under certain circumstances. It also allows individual or grouped control, manually or based on smart schedules.

SMART DIMMING SCHEDULING

WisdomMind allows dimming for any LED streetlight using 0-10 or PWM control interface. Dimming schedule can be pre-programmed according to different public traffic situation in different time period during a whole day. It will not only reduce energy consumption and increase lamp lifetime but also reduce light pollution and CO2 emissions.

FAULT ALERT & MAINTENANCE

The LoRaWAN™ Servers receive, prioritize and compile information from all over the lighting grid. The Application Servers offers advanced data analytic tool, failure reporting mechanism to realize real-time alerting and customizable maintenance planning tools to improve street lighting overall satisfaction.

DATA COLLECTION & REPORTS GENERATION

WisdomMind frequently collects and preserves all the raw data from every individual light. All the raw data will be processed by BalderMind advanced algorithm into actionable information, including voltage, currents, power consumption, network status, fault records, etc from which various final corresponding reports are generated.



Product Introduction

Light Node

- Standard Nema Socket: Plug and Play
- Comprehensive critical electrical parameters monitoring, A, V, Wh, W, Hz
- Water Proof IP65 protection grade

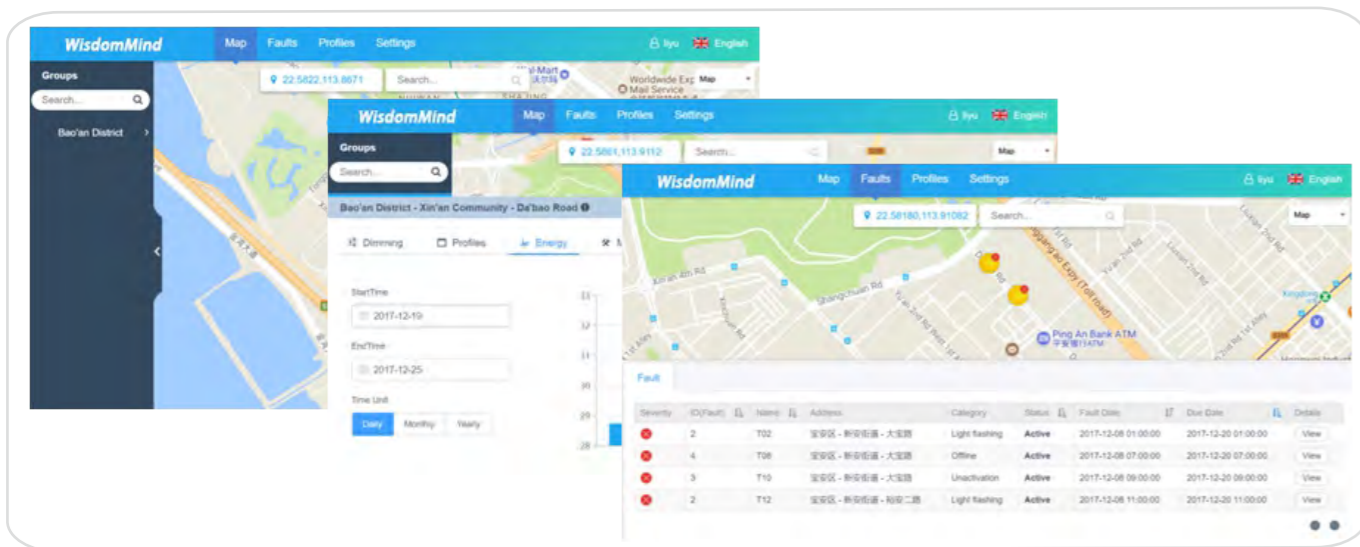


Gateway

- High capacity: up to 1000 street lights by one gateway
- Beacons: periodically synchronizes the GPS time of all end devices, facilitating scheduled access and flawless operation of the LoRaWAN™
- Robust weather-proof design: IP67 protection grade



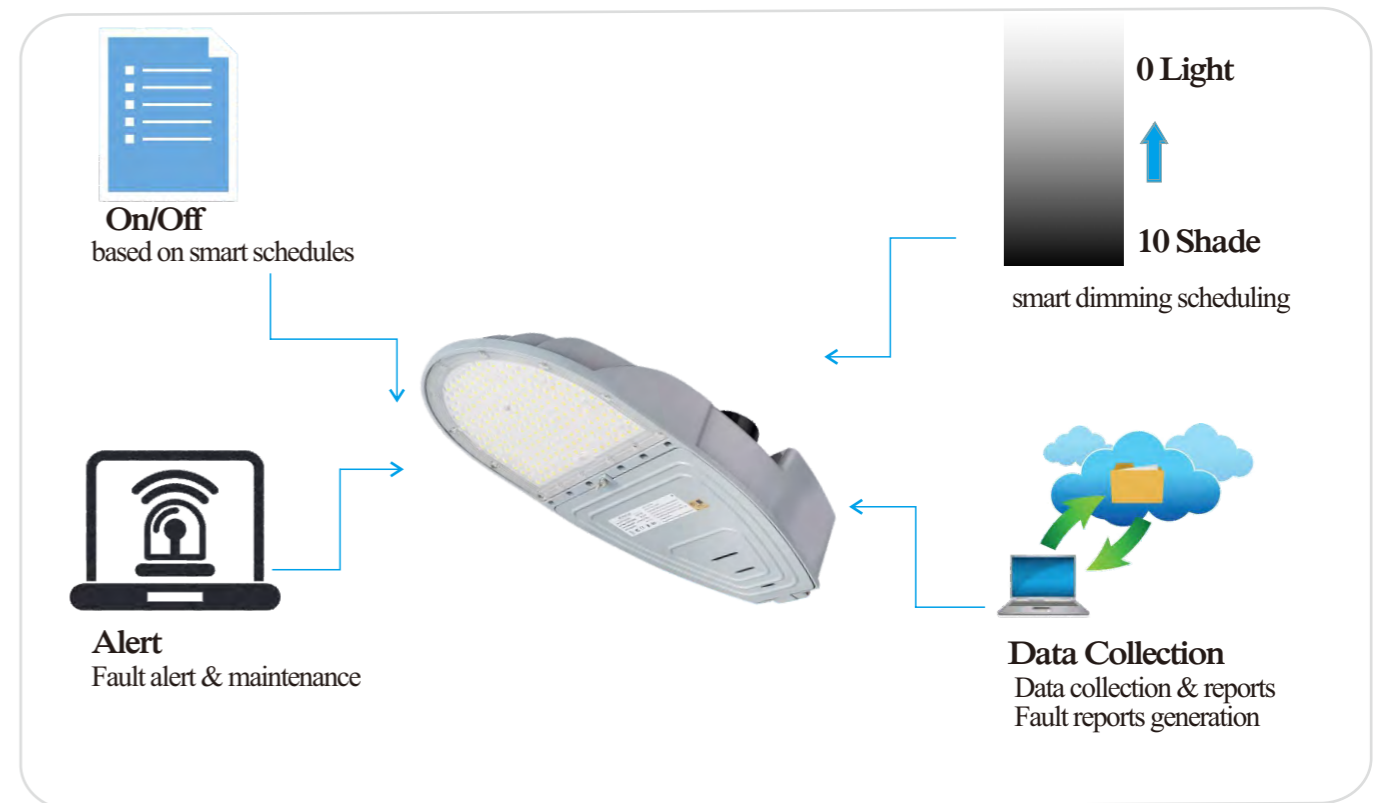
Software Interface



Why is WisdomMind

- Lower Investment
- Faster Installation
- Worldwide Coverage
- Higher Flexibility
- Future Ready

Example: Led Street Light



Example: Led Shoebox Light





Handwriting practice lines on page 109, consisting of 21 horizontal blue lines spaced evenly down the page.



Handwriting practice lines on page 110, consisting of 21 horizontal blue lines spaced evenly down the page.