

# INSTALLATION INSTRUCTIONS

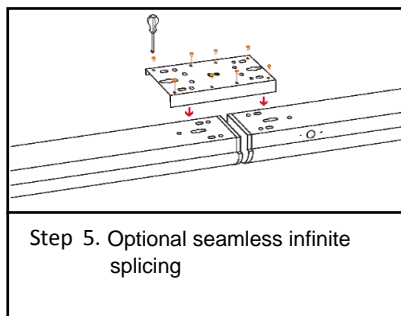
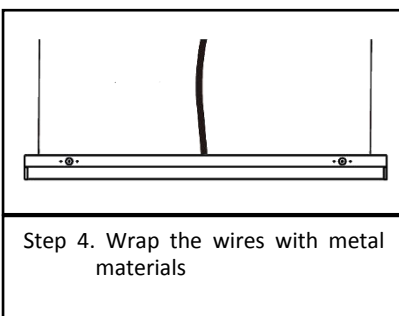
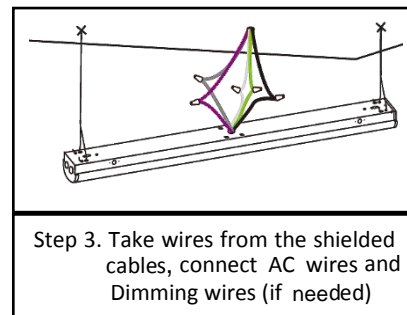
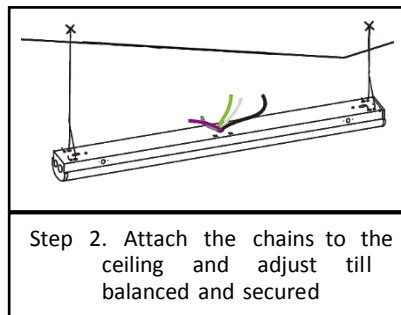
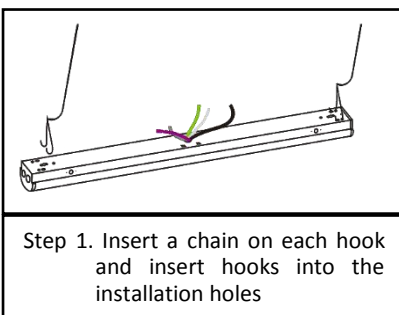
## LED STRIP LIGHT

PLEASE read these instructions carefully before installation and keep for reference

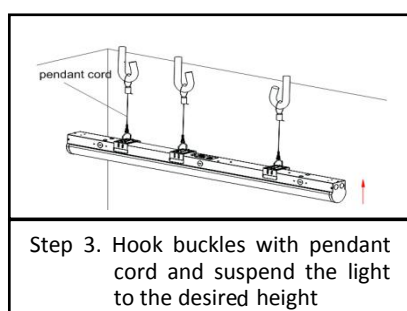
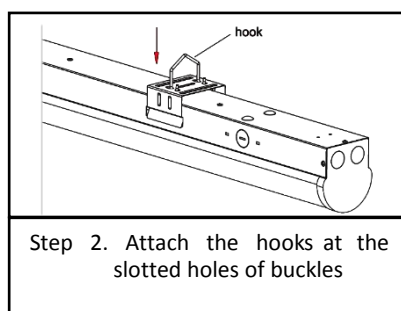
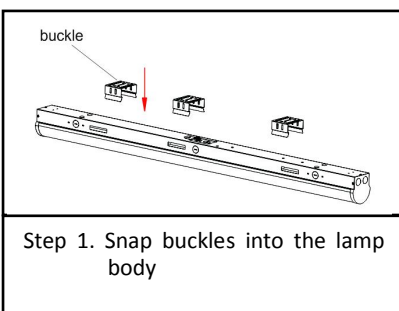
### **WARNING:**

- RISK OF FIRE OR ELECTRIC SHOCK. FIXTURE INSTALLATION REQUIRES KNOWLEDGE OF LUMINAIRES ELECTRICAL SYSTEMS. IF NOT QUALIFIED, DO NOT ATTEMPT INSTALLATION. CONTACT A QUALIFIED ELECTRICIAN
- SUITABLE FOR DAMP LOCATIONS. ALWAYS TURN OFF THE POWER SUPPLY BEFORE INSTALLATION
- SUITABLE FOR NON-INSULATED SURFACE AND FRAME. DO NOT COVER FIXTURE WITH INSULATION LINER OR SIMILAR MATERIAL
- DO NOT INSTALL FIXTURE ON UNSTABLE, LOOSE OR EASILY BREAKABLE SURFACE. DO NOT EXERT FORCE ON THE SURFACE OF THE FIXTURE

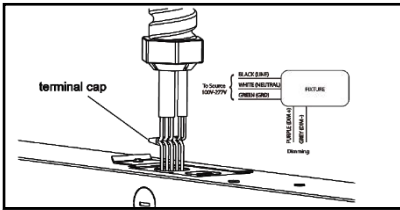
### **CHAIN INSTALLATION (Option One)**



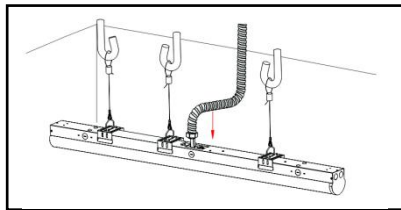
### **CHAIN INSTALLATION (Option Two)**



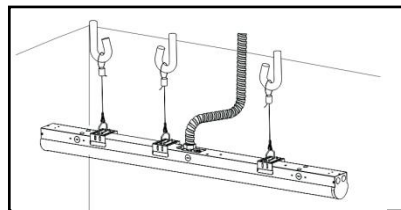
# INSTALLATION INSTRUCTIONS



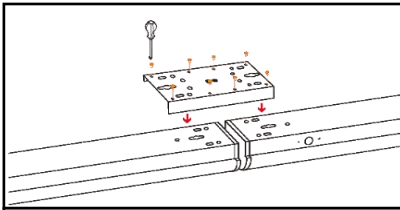
Step 4. Take wires from the terminal caps, connect AC wires and Dimming wires (if needed)



Step 5. Insert the terminal blocks and wires into the strip

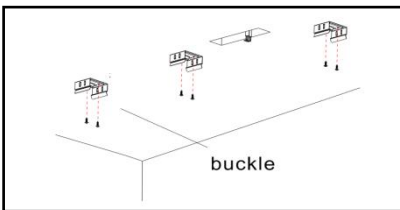


Step 6. Insert the wire terminal joints to the wire entry

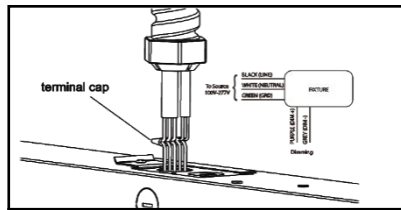


Step 5. Optional seamless infinite splicing

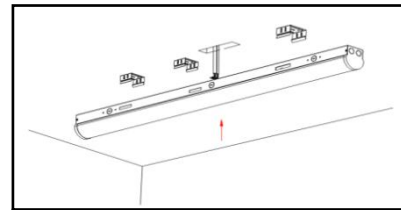
## SURFACE MOUNTED INSTALLATION



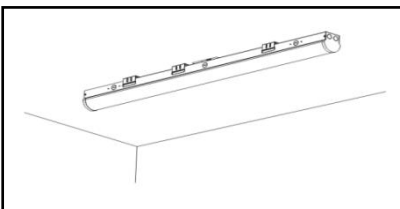
Step 1. Fix the buckles in parallel by screws with 37.5" distance between each buckle



Step 2. Take wires from the terminal caps, connect AC wires and Dimming wires (if needed)



Step 3. Secure the strip with buckles



Step 4. Installation is completed

## WIRE DIAGRAM

### ELECTRICAL SCHEMATIC DIAGRAM

