

# Selectable Spider Mount Post Top Light

Wattages: 60W, 80W, 100W, 150W



**WATT/CCT  
SELECTABLE**

LED Selectable Spider Mount Post Top Lighting series can be widely used for Outdoor (Wet Location) Excellent for Lawns, Courtyards, Roadways and many other applications.

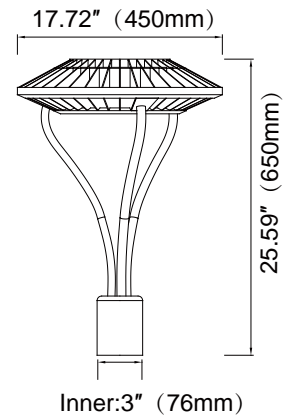
Lighting controls meet design lights consortium (DLC) networked lighting control system technical requirements, LLLC, Energy Monitoring and High End Trim function.



## FEATURES

- LED high luminous efficiency and long working life.
- High efficiency LED Driver, the wide range input voltage AC120-277V.
- Die-cast aluminum cooling design, high quality and better cooling for LED  $T_j < 85^\circ\text{C}$ .
- Excellent optics design, greatly improve the light utilization and evenness.
- Photocell(Standard), motion sensor control available(Optional).
- The 1-10V Dimming type is continuous.

## DIMENSION:



## SPECIFICATION

TYPE	WSD-SMPT681015W27-345K-B			
	60W	80W	100W	150W
WATTAGE	60W	80W	100W	150W
CCT	3000K/4000K/5000K	3000K/4000K/5000K	3000K/4000K/5000K	3000K/4000K/5000K
LUMEN	8685lm/9254lm/9305lm	11264lm/12094lm/12059lm	13654lm/14787lm/14585lm	18776lm/20668lm/20030lm
EFFICACY	>140 lm/W			
FACTORY SETTINGS	150W & 4000K			
CRI	70			
INPUT VOLTAGE	AC120-277V			
BEAM ANGLE	132°			
POWER FACTOR	0.95			
DRIVER EFFICACY	90%			
LED TYPE	3030			
LIFE SPAN	over 50,000 hrs			
OPERATING TEMPERATURE	-40°F ~ 104°F			
CERTIFICATES	UL/DLC 5.1 Premium			
OUTDOOR RATING	Wet location			
CABLE	3 core, 18AWG (11.8 inch)			
WARRANTY	5 year limited			

# Selectable Spider Mount Post Top Light

Wattages: 60W, 80W, 100W, 150W

 **Bluetooth®**  
(Option)



Motion sensor ready



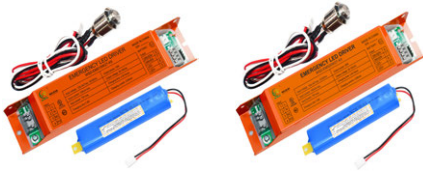
**WATT/CCT**  
**SELECTABLE**

**POWER:60W/80W/100W/150W**  
**CCT:3000K/4000K/5000K**

## STRUCTURE FEATURES:

- ◆ Shell materials: Aluminum & PC
- ◆ Finish:Black(Standard)
- ◆ Net weight : 7.4Kg (16.3 lbs)
- ◆ Product Size : 650mmX450mmX76mm  
(25.59"X17.72"X3")
- ◆ Carton Size : 515mmX490mmX185mm  
(20.3"X19.3"X7.3")

## EMERGENCY BACK-UP (SOLD SEPARATELY)




**WSD-EMS15W27-XX**  
15W Emergency Backup  
Battery LED Driver

**WSD-EMS20W27-XX**  
20W Emergency Backup  
Battery LED Driver

## CONTROL (SOLD SEPARATELY)



 **Bluetooth®**  
**ANT-5-4T-BLE-SR**  
Bluetooth  
Microwave  
Motion Sensor



**ANT-5-4T**  
Bi-level  
microwave Sensor



**RC100**  
Remote  
Controller

## ORDERING INFORMATION

EXAMPLE:

**WSD-SMPT681015W27-345K-Z[D,W,B,S]-Y[Blank,P]-E[Blank,M]**

WSD	SMPT	681015W	27	345K	Z	Y	E
COMPANY	PRODUCT	WATTAGE	VOLTAGE	CCT	FINISH	CONTROL 1	CONTROL 2
WSD LED INC	<b>SMPT</b> (Spider Mount Post Top Light)	<b>6W</b> -(60W) <b>8W</b> -(80W) <b>10W</b> -(100W) <b>15W</b> -(150W)	<b>27</b> (AC120-277V)	<b>3K</b> - (3000K) <b>4K</b> - (4000K) <b>5K</b> - (5000K)	<b>D</b> - (Darkr) Bronze) <b>W</b> - (White) <b>B</b> - (Black) <b>S</b> - (Silver)	<b>P</b> - (Photocell)	<b>M</b> -(Motion Sensor)

# Selectable Spider Mount Post Top Light

Wattages: 60W, 80W, 100W, 150W



## ANT-5-4T-BLE-SR

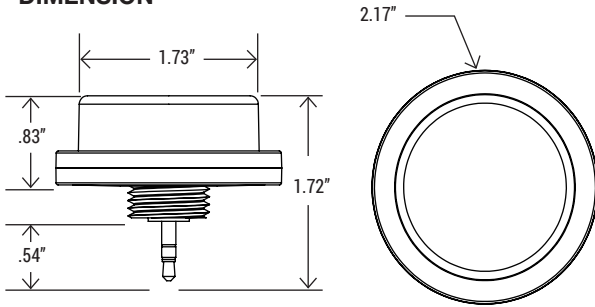
Plug and Play Network BLE Nodes and Sensor

The Bluetooth Lighting Control provides automated individual and group control of light fixtures using on sensors and Bluetooth sagemesh technology. The ANT-5-4T-BLE-SR mounted in an Commercial lighting fixture and provides multi-level control solution based on motion and or daylight harvesting contribution.

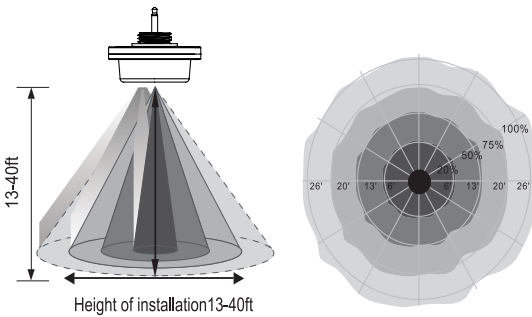
### FEATURES

- Lighting controls meet design lights consortium (DLC) networked lighting control system technical requirements.
- Quick connect and adjust different sensor angle.
- Easy commissioning with Mobile App (Available in IOS).
- Bluetooth network with Saas working by computer
- Individual addressability and/or grouping.
- Time clock scheduling for individual lights, groups or scenes.
- Multi-level dimming: manual ON/OFF automatic ON/OFF, and automatic partial ON/OFF, daylight harvesting control capability.

### DIMENSION



### COVERAGE



### SPECIFICATION

NETWORK BLE MESH	Yes
DAYLIGHT HARVESTING	Yes
MICROWAVE MOTION SENSOR	Yes
DETECTION MODE	Occupancy/Vacancy/Bi-level in 1 Unit
OPERATING VOLTAGE	12-24V DC
OPERATING CURRENT	>50mA
SINKING CURRENT	max. 25mA
CONTROL OUTPUT	0-10V
RADIO FREQUENCY	2.4GHz ± 75MHz
WIRELESS STANDARD	BLE 5.0 MESH
PROGRAMMING	Silvair iOS App ( IOS )
CYBERSECURITY	UL
ENCRYPTION	AES 128-bit
MESH RANGE	60ft node-to-node and 500ft node-to-device (Commissioning)
SAFETY	cULus Listed
FCC	FCC
OPERATING TEMP.	-20°C - +60°C
IP RATING	IP65
WARRANTY	5 year limited

### MICROWAVE SENSOR FEATURES

DAYLIGHT HARVESTING	On/Off
MOTION SENSING	On/Off
FIRST TIME DELAY	1-59 mins/infinite
SECOND TIME DELAY	0-59 mins/infinite
DIM LEVEL	0-100%
MOUNTING HEIGHT	13-40ft
DETECTION RANGE	up to 52ft diameter
DETECTION: HORIZONTAL	360°
DETECTION: VERTICAL	90°

### COMMISSIONING

Silvair iOS App makes it easy to pair devices, create groups, set scenes/schedules, customize dimming levels, and adjust high trim based on application needs.

Silvair App



iOS

Please scan and download the app.

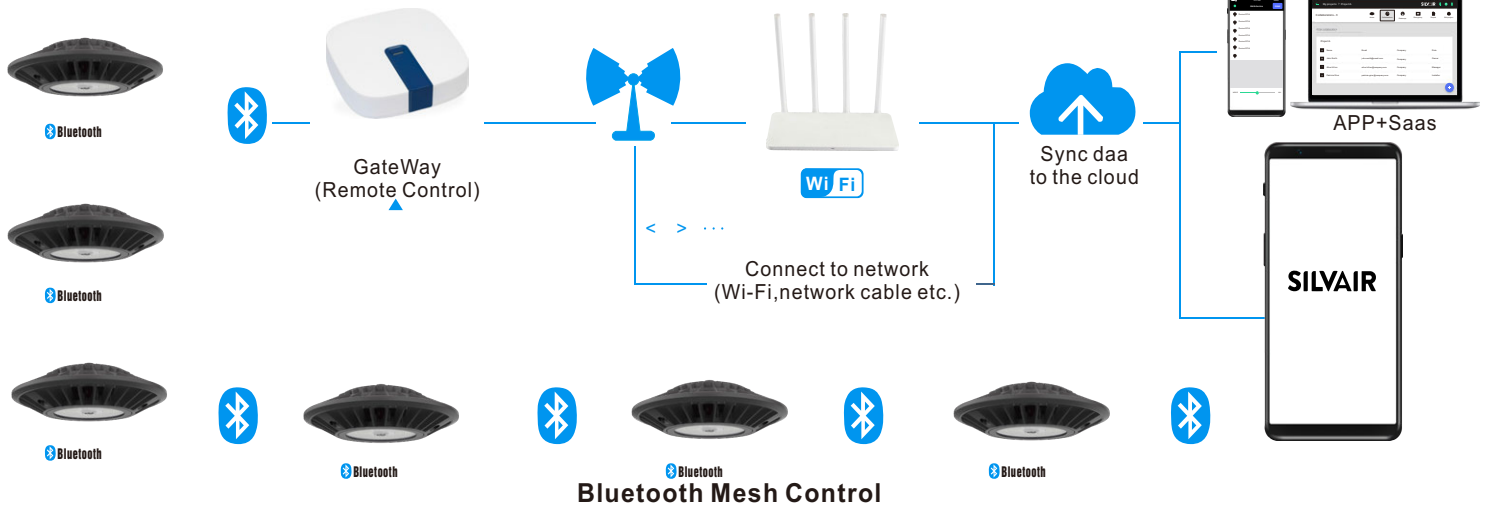
Operation Instruction:

[https://youtu.be/8KWPK7z\\_Tng](https://youtu.be/8KWPK7z_Tng)

# Selectable Spider Mount Post Top Light

Wattages: 60W, 80W, 100W, 150W

## GateWay Remote Control



### Functions:

The Silvair Gateway enables the following functions in the Silvair web app: • Scheduling (available by default)

- Scheduling changes in scenes and lighting control scenarios (for example occupancy sensing, daylight harvesting) for specific times or days.
- Energy and occupancy monitoring (additional paid service)
  - Visualizing energy use and occupancy via the Silvair web app.
  - Downloading energy and occupancy via the Silvair web app and cloud-based API.
- Remote monitoring and control (additional paid service)
  - Low-latency monitoring of the status of devices in the network via API.
  - Low-latency control of devices in the network via API.
- System diagnostics
  - Monitoring of the status of Bluetooth mesh networks.
  - Remote troubleshooting of networking issues.

### Features:

- Future-proof Linux operating system.
- Simple commissioning using the Silvair Commissioning tools.
- Automatic connection to the Silvair cloud.
- Secure provisioning with secure IDs and encrypted keys.
- High level of hardware and software security (secure boot and encrypted file system can only be accessed with the management platform).
- Automatic security updates.
- Prompt releases of OS updates and fixes to vulnerabilities.
- Low-latency transfer of network, luminaire, and sensor status data to the Silvair cloud.
- Schedule caching.
- Automatic remote firmware updates.
- Display of gateway and network performance metrics (requires the Silvair web app).

## INDUSTRIAL GATEWAY

### SGW-101

Smart Engineering Gateway

The Silvair Gateway connects Bluetooth mesh networks that have been commissioned using the Silvair Commissioning tools to the Silvair cloud. This allows the scheduling of events and delivery of services based on the data generated by these networks.

### SPECIFICATION

<b>POWER SUPPLY</b>	4.5–5.5 V DC, 2 A Power over Ethernet 36–57 V DC (IEEE 802.3af)
<b>OPERATING SYSTEM</b>	Ubuntu Core
<b>PROCESSOR</b>	i.MX6ULL (Y2), 32-bit ARM 800 MHz
<b>MEMORY</b>	512 MB DDR3L SDRAM 8GB eMMC
<b>COMMUNICATION PROTOCOLS</b>	Bluetooth mesh (2.4 GHz Bluetooth Low Energy) Wi-Fi 802.11a/b/g/n/ac (2.4/5 GHz) 4G LTE Cat 1 with 2G/3G (only for Cascade-500-W and Cascade-500-X gateways)
<b>PORTS</b>	1 x RJ45 10/100 Ethernet 1 x USB 2.0 Type-A 2 x external dipole antenna, 5 dBi (only for Cascade-500-W and Cascade-500-X gateways)
<b>REQUIRED AMBIENT TEMPERATURE</b>	0°C to 60°C 32°F to 140°F
<b>ENCLOSURE DIMENSIONS</b>	127 mm x 127 mm x 30 mm (5 inch x 5 inch x 1.2 inch)
<b>MOUNTING POSITION</b>	Wall or surface mounted. As close to the geometrical center of the lighting network as possible, but as far as possible from potential sources of interference.
<b>SECURITY</b>	Secure boot with encrypted operating system Secure communication with the Silvair Cloud over Internet (TLS) Secure communication with devices over qualified Bluetooth mesh

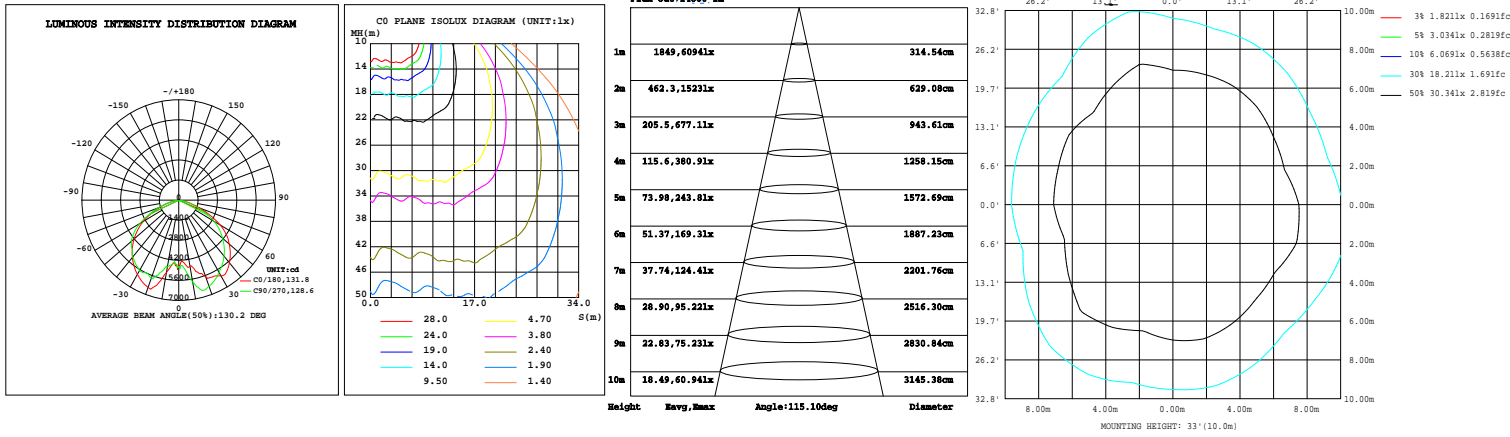
# Selectable Spider Mount Post Top Light

Wattages: 60W, 80W, 100W, 150W

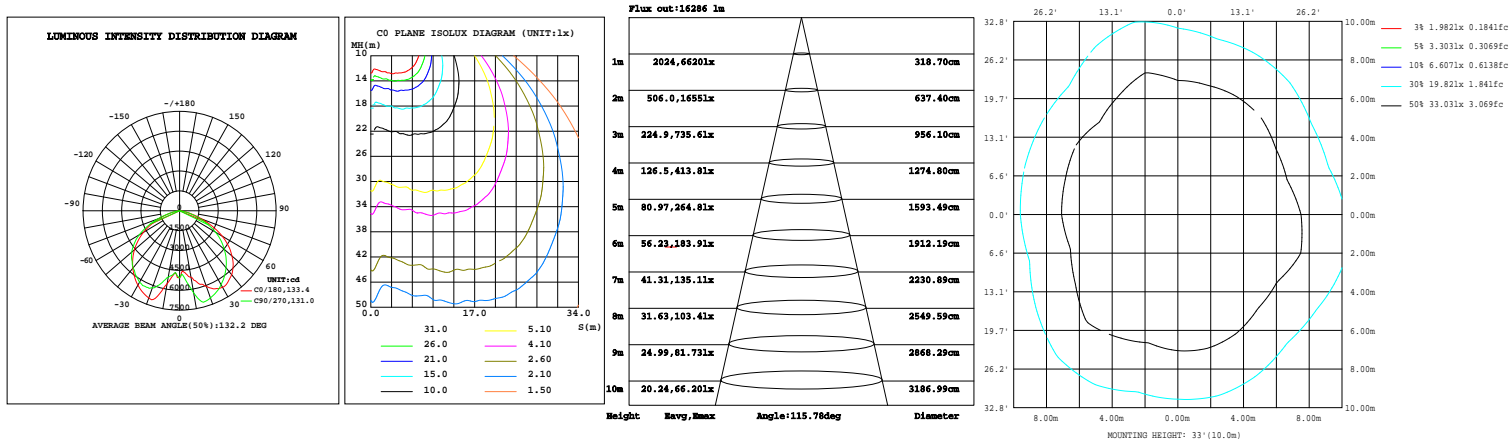
## PHOTOMETRICS

For complete IES files, please visit our website.

### WSD-SMPT681015W27-345K (150W&3000K)



### WSD-SMPT681015W27-345K (150W&4000K)



### WSD-SMPT681015W27-345K (150W&5000K)

