

# Installation Instruction

---

## WARNING

- To reduce the risk of death, personal injury or property damage from fire, electric shock, falling parts, cuts/abrasions, and other hazards read all warnings and instructions included with and on the fixture box and all fixture labels.
- Before installing, servicing, or performing routine maintenance upon this equipment, follow these general precautions.
- Commercial installation, service and maintenance of luminaires should be performed by a qualified licensed electrician.
- For the installation: If you are unsure about the installation or maintenance of the luminaires, consult a qualified licensed electrician and check your local electrical code.
- To prevent wiring damage or abrasion, do not expose wiring to edges of sheet metal or other sharp objects.
- Do not make or alter any open holes in an enclosure of wiring or electrical components during kit installation.

## WARNING

- Turn off electrical power at fuse or circuit breaker box before wiring fixture to the power supply.
- Turn off the power when you perform any maintenance.
- Verify that supply voltage is correct by comparing it with the luminaire label information.
- All wiring connections should be capped with UL approved wire connectors.

## CAUTION

- Avoid direct eye exposure to the light source while it is on.
- Account for small parts and destroy packing material, as these may be hazardous to children.
- Risk of burn. Disconnect power and allow fixture to cool before changing handling fixture.

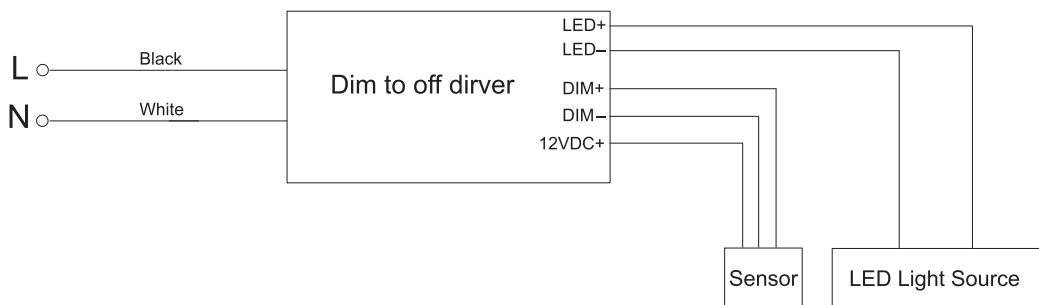
**NOTICE:** Green ground screw provided in proper location. Do not relocate.

**NOTICE:** Minimum 90°C supply conductors.

**NOTICE:** Specifications and dimensions subject to change without notice.

**NOTICE:** Suitable for Dry or Damp location.

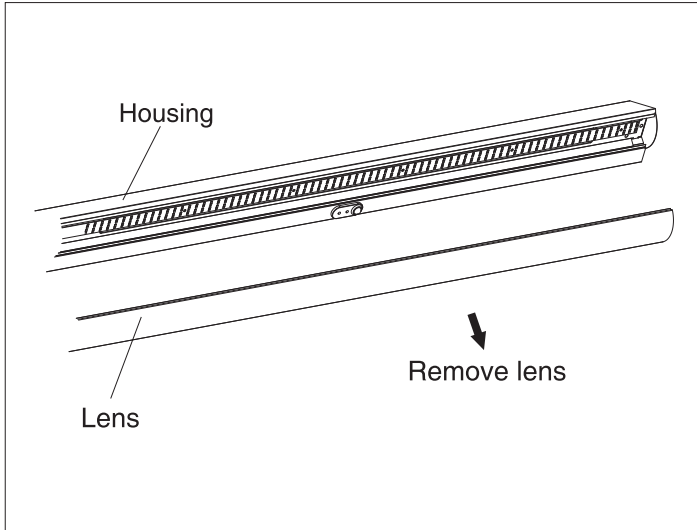
## General Wiring Diagram



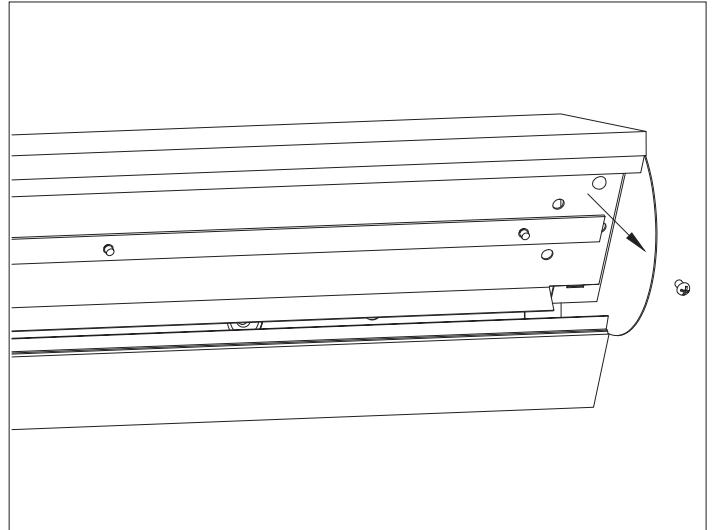
# Installation Instruction

## Wall Mounting

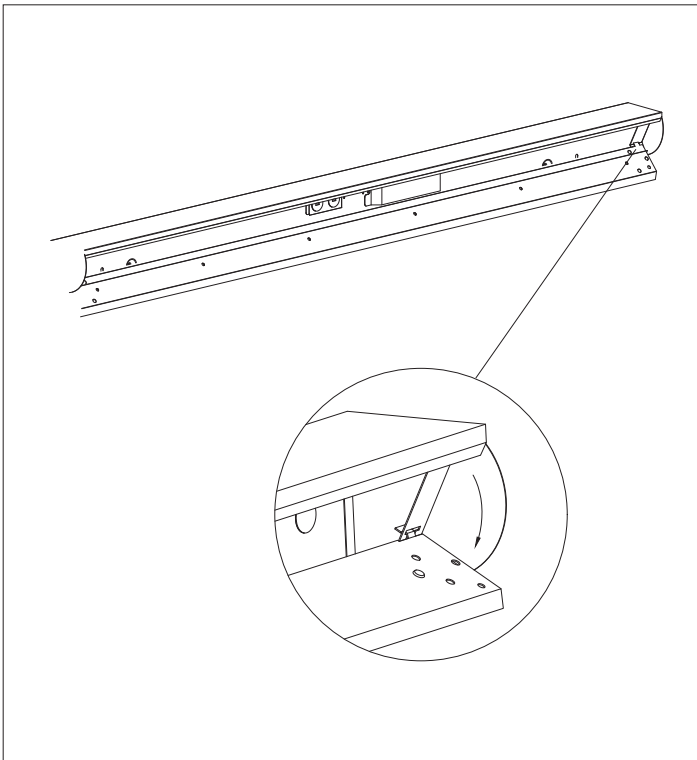
1. Remove the lens from the housing.



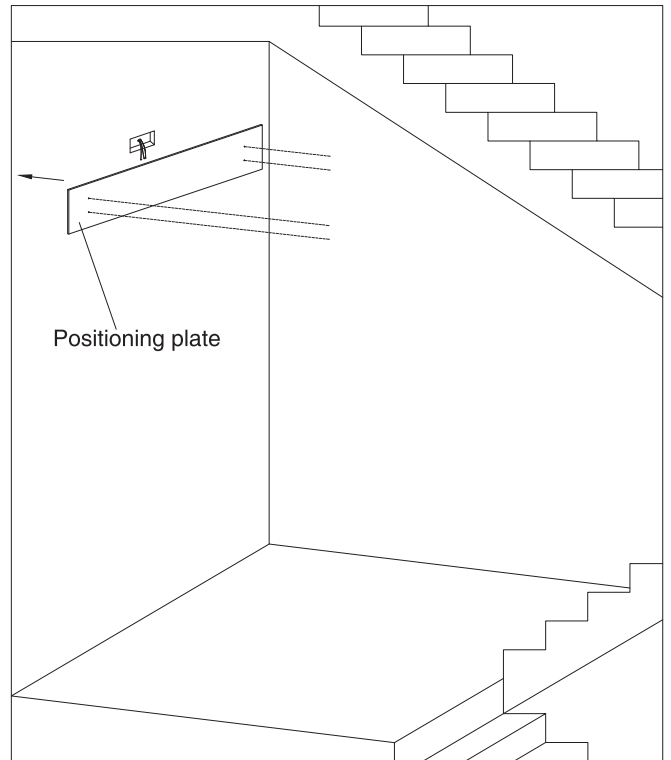
2. Loosen the two screws that hold the Module board.



3. Flip the module board. Press one side of the module board to flip the module board to the appropriate position.

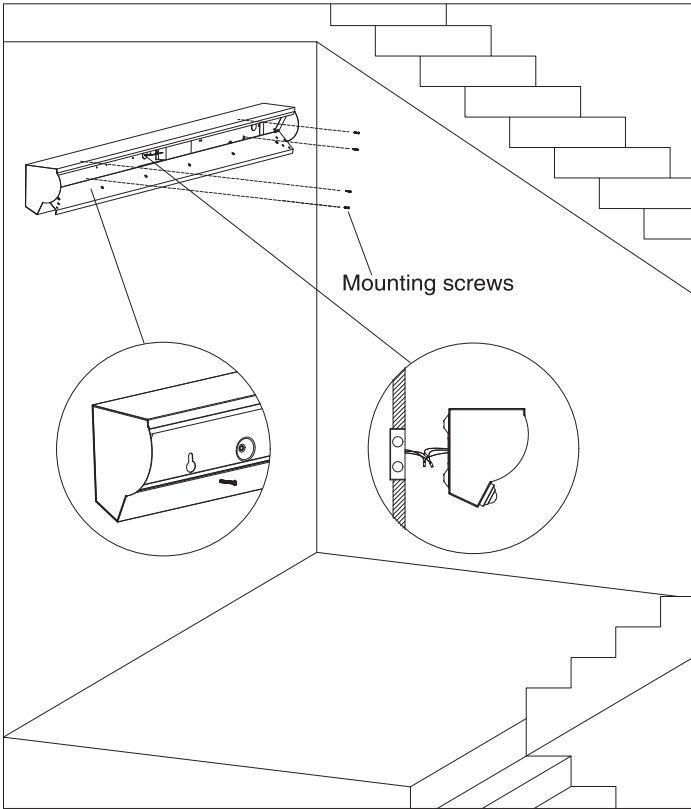


4. Install anchoring bolt. Drill four holes in the corresponding position on the wall according to the positioning plate provided by the manufacturer. Insert an anchoring bolt (not included) into each hole.

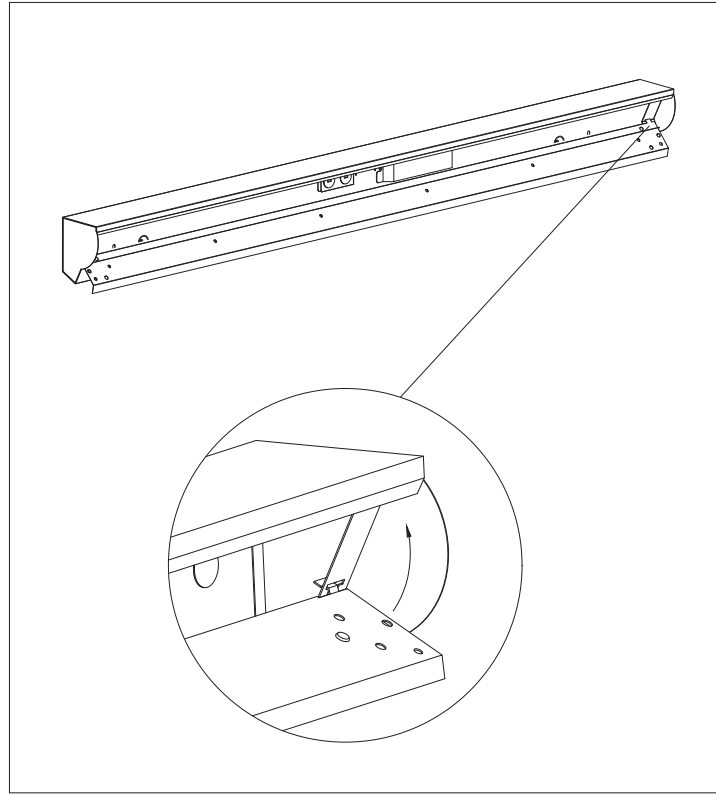


# Installation Instruction

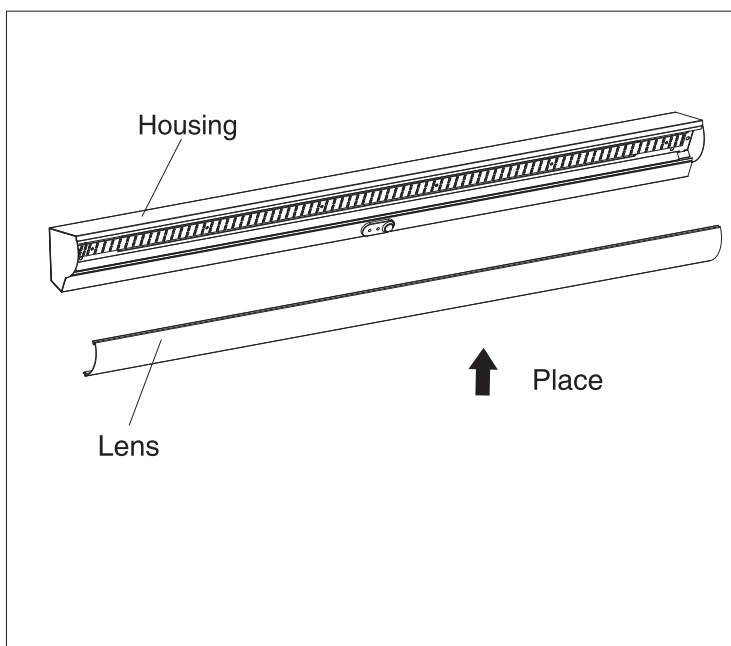
5. Connect the AC wires. Then screw the four mounting screws into each anchoring bolt.



6. Push the module board to its original position and fix the module board to the bracket.



7. Install the lens.



8. The installation is complete.

