

Nantucket Address Signs

MIS005 r3

General Information:

- Read instructions carefully before beginning assembly.
- Identify each component from material list.
- Do not use excessive force when assembling components.
- To clean this product, for best results use a soap solution and high-pressure water.
- In the event of missing or defective parts, please call our customer service department at 1-866-363-8834

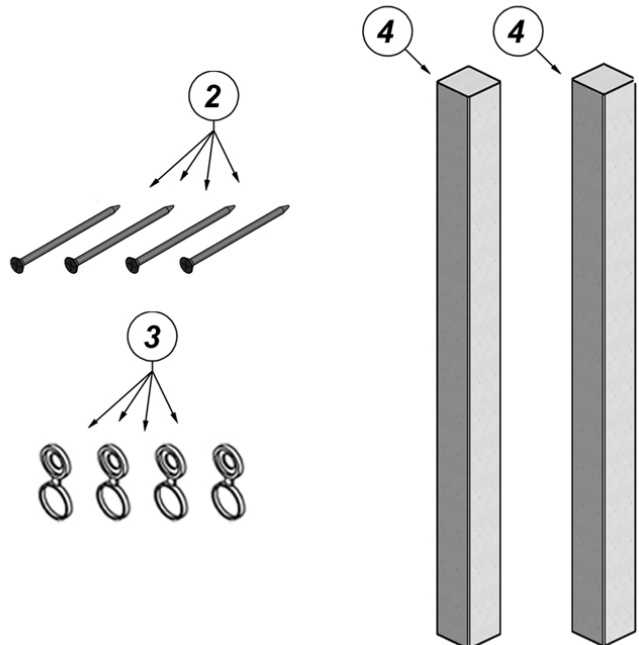
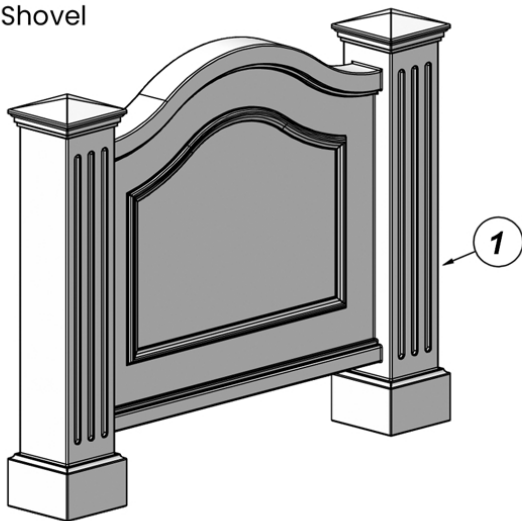
Materials List:

Part #	Description	Quantity
1	Decorative Address Sign	1
Hardware Pack Includes:		
2	#8 x 3" steel screw	4
3	Plastic snap cap (4 each - white, tan, & black)	12
Hardware Not Included:		
4	Two 4x4 wood posts x4 actual dimensions are 3.5in x 3.5in 48in length recommended	-



Tools Required:

- Cordless drill
- Phillips drill bit
- Tape measure
- Level
- Shovel

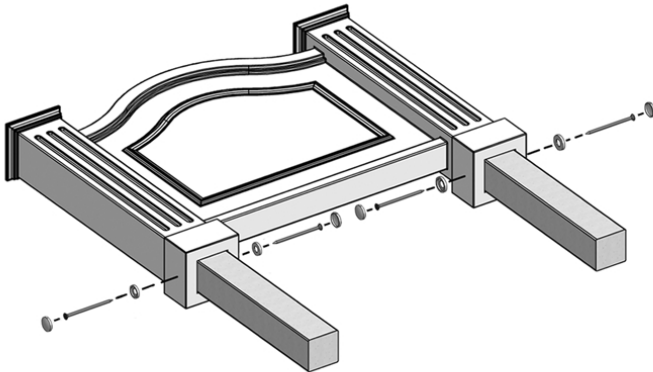


IMPORTANT NOTE:

- 4x4 wood posts, pre-mix concrete, and address plaques are NOT included with Mayne address signs.
- For plaque installation, we recommend using screws.

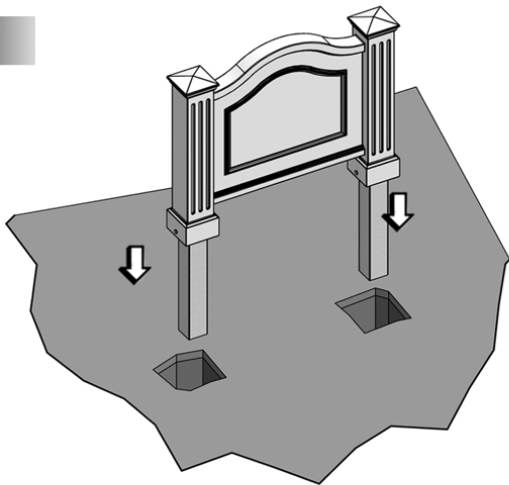
MAYNE[®]
Outdoor Products of Distinction
gomayne.com

1.



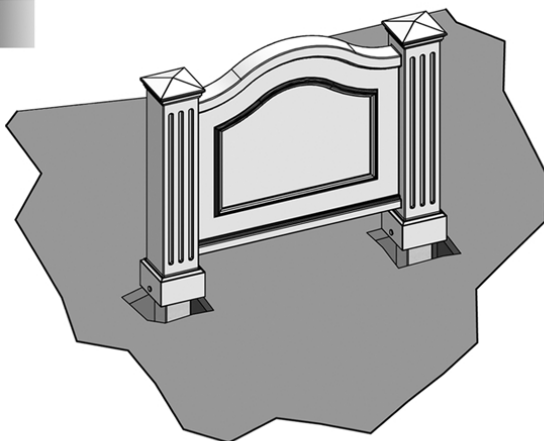
Insert a 4x4 wood post (part 4, not included) into one of the holes in the sign. Leave about 20 inches sticking out of the bottom. Hold the post steady and secure it to the base with a 3 inch screw (part 2) through each side as illustrated. Do not over tighten the screws, it could cause the plastic to dimple or crack. Repeat this step for the second wood post. Please note that plastic snap caps (part 3) are provided to cover the screw heads.

2.



Set the address sign in the desired location and mark the position of the wood posts. Dig a 20" deep hole for each post.

3.



Place the sign into the holes, and adjust the depth if needed. Use a level to check the signs orientation. Once you are satisfied, fill in the holes. For added stability in high wind or traffic areas, we recommend using pre-mix concrete (not included).

Questions?

If you have any questions concerning the assembly or installation of this product and require assistance, please call our Customer Service Department at 1-866-363-8834 or email customerservice@gomayne.com