

Woodhaven

Model # 5812
Address Sign



DESCRIPTION

Built-in UV inhibitors help our polyethylene signs endure season after season. Painting and up keep of those old wood signs are a thing of the past. Unique New England styled product offering the timeless charm of the East Coast.

- Weather resistant, low maintenance material
- Includes decorative post and support arm
- Easy installation over standard 4x4 wood post
- 100% high-grade polyethylene with built in UV inhibitors
- Warranty: 15-Yr Residential Use / 5-Yr Commercial Use

PRODUCT DIMENSIONS

Outside Dimensions: 22.3in L x 8in W x 56.5in H (56.6cm x 20.3cm x 143.5cm)

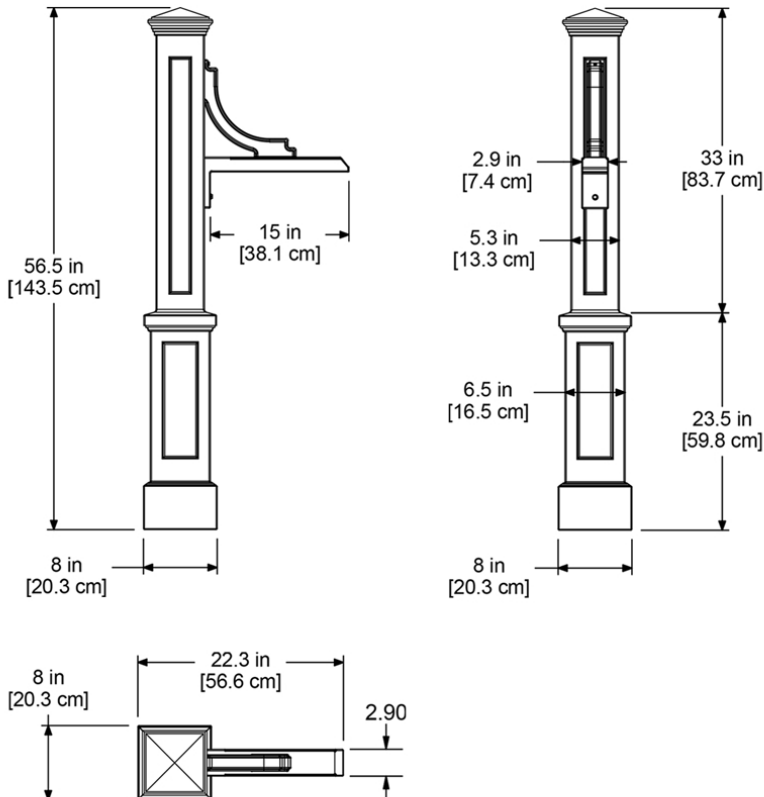
Plaque Mounting Area: Fits plaques up to 15in W (38.1cm)

Wall Thickness: 0.125in (3.17mm)

Part Weight: 9.3lbs (4.2kg)

Material: Polyethylene

Note: 4x4 wood posts, address plaque, and plaque mounting hardware NOT included



MAYNE[®]
Outdoor Products of Distinction

7024 Kilbourne Rd - Unit A London, ON N6P 1K6
Tel: 866-363-8834 | www.gomayne.com
customerservice@gomayne.com