

Nantucket

Model # 4850

Nantucket Privacy Panel



DESCRIPTION

Enhance your curb appeal with Mayne Nantucket Privacy Panels. Easy to install, lightweight, and low maintenance. Highlight the design of your yard and hide unattractive items like garbage bins or air conditioners. Focus on what matters with Nantucket Privacy Panels.

- Package contains 2 panels, 2 hinges, and 3 ground stakes
- Made from 100% high-grade polyethylene
- Weather resistant, low maintenance material
- No painting or staining required
- Warranty: 15-Yr Residential Use / 5-Yr Commercial Use



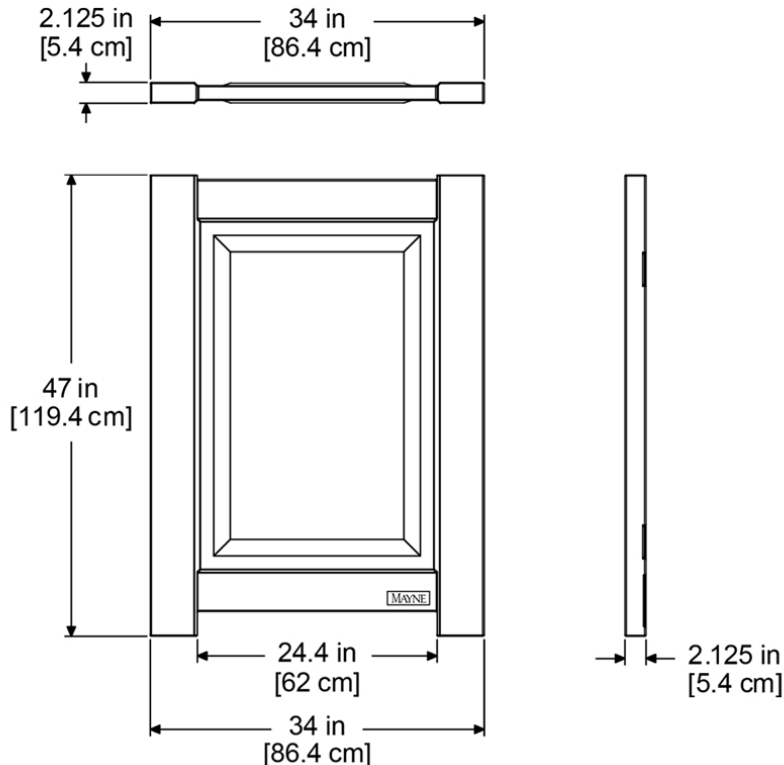
PRODUCT DIMENSIONS

Single Panel Dimensions: 34in L x 2.125in W x 47in H (86.4cm x 5.4cm x 119.4cm)

Single Panel Weight: 14.8lbs (6.7kg)

Wall Thickness: 0.12in (3mm)

Material: Polyethylene



MAYNE[®]
Outdoor Products of Distinction

7024 Kilbourne Rd - Unit A London, ON N6P 1K6
Tel: 866-363-8834 | gomayne.com
customerservice@gomayne.com