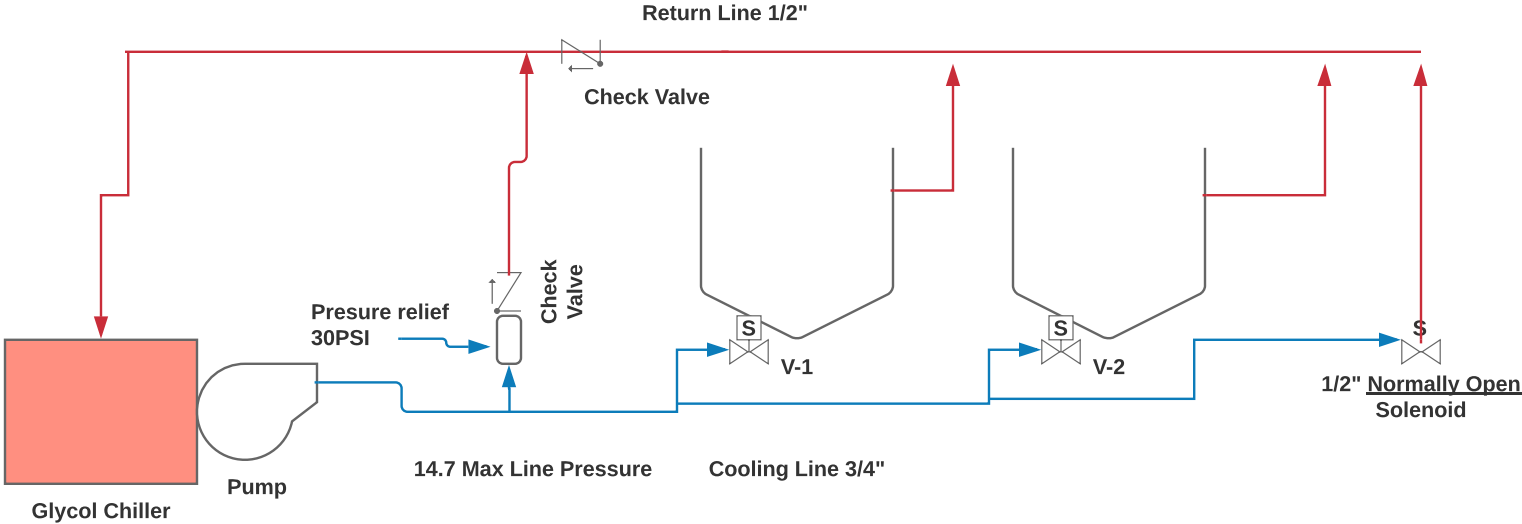


# GLYCOL CHILLER CONNECTION



All Inlet solenoids should be normally closed

Please note that your jacket and tank pressure rating is 14.7 PSI. Relief valves must be installed in your glycol line to activate and re-route the flow of glycol to the return loop in the event of overpressure. Failure to install pressure relief valves can result in damage to the tanks. Maximum Flow rate should be no more than 5GPM.

Solenoid valves should be installed on the inlet side of your tank (glycol loop > manual shutoff valve (Optional) > solenoid > Tank inlet). Observe solenoid flow direction.

If you have questions about the connection of tanks, email [cobrewingsystems.zendesk.com](mailto:cobrewingsystems.zendesk.com) for support. Failure to follow these instructions can result in damage to the cooling jacket and tank.