

Thank you!

You've just purchased a Nuna product, and you can be sure that your child is getting the best there is. Our products are expertly engineered for safety, with luxury fabrics and sophisticated style.

Whatever made you fall in love with Nuna, rest assured your adventures with your little one will be easier from now on, freeing you to enjoy more happy family moments together.


Easy Installation

Our products are designed to make your life easier, so installing this child restraint doesn't require outside assistance. While we encourage the use of Certified Child Passenger Safety Technicians to ensure you have installed the seat correctly, you can install the child restraint in your vehicle without these professionals by carefully reading and following these instructions.



Contents

Product Information	4–5
Product Registration	4
Recall Information	4
Warranty	5
Contact	5
Child Usage Requirements	6
Warnings	7–11
Car Seat Use after a Crash	12
Parts List	13
Vehicle Seat Belt Systems	14
Child Restraint Overview	16–35
Seat Assembly	16
Side Impact Protection (SIP) Pods	16
Seat Adjustment for Head Support and Shoulders	16
Seat Adjustment for Seat Bottom	18
Use of Lower Anchor Connectors	18
Use as a High Back Belt Positioning Booster	22
Securing a Child in the High Back Booster Mode	26
Use as a No Back Belt Positioning Booster	28
Securing a Child in the No Back Booster Mode	30
Use of Shoulder Belt Positioning Clip	32
Cup Holder Assembly	34
Detach Covers	34
Cleaning and Maintenance	36

 **WARNING:** Carefully read and understand all instructions and warnings in this manual, and those labeled on your Child Restraint. Failure to do so can result in the **SERIOUS INJURY** or **DEATH** of your child. Store manual in pocket at rear of base for future use.

Product Information

Model Number: _____

Manufactured in (date): _____

Product Registration

Please fill in the above information. The model number and the manufactured in date are located on a label on the bottom of your child restraint. Fill out the prepaid registration postcard attached to the seat pad and mail it today.

Child restraints could be recalled for safety reasons. You must register this restraint to be reached in a recall. Send your name, address, e-mail address if available and the Child Restraint's model number and manufacturing date to:

Nuna Baby Essentials Inc.
70 Thousand Oaks Blvd., Morgantown, PA 19543
or call 1.855.NUNA.USA

Recall Information

For recall information, call the U.S. Government's Vehicle Safety Hotline at: 1.888.327.4236 (TTY: 1.800.424.9153) or go to <http://www.NHTSA.gov>

Warranty

We have purposely designed our high-quality products so that they can grow with both your child and your family. Because we stand by our product, our gear is covered by a custom warranty per product, starting from the day it was purchased. Please have the proof of purchase, model number and manufactured in date available when you contact us.

For warranty information please visit:
www.nunababy.com/warranty

Contact

For replacement parts, service, or additional warranty questions, please contact our customer service department.

In the USA:
infousa@nunababy.com
www.nunababy.com
1.855.NUNA.USA

Child Usage Requirements

High Back Belt Positioning Booster

Your child must meet ALL of the following requirements below:

Age: At least 4 years old

Weight: 40–110 lb (18–50 kg)

Height: 38–60 inches (96–152 cm) tall

No Back Belt Positioning Booster

Your child must meet ALL of the following requirements below:

Age: At least 5 years old

Weight: 50–120 lb (23–54 kg)

Height: 38–60 inches (96–152 cm) tall



⚠ WARNING
DEATH OR SERIOUS INJURY CAN OCCUR,

Read all instructions before using this booster seat.

Keep instructions for further use.

Use the bottom of the booster seat base for storage of the instructions.

Read the instructions for this child restraint before use or installation in a vehicle. In addition, read the vehicle owner's manual for information on child restraint installation. Failure to follow the child restraint instruction manual or the labels on this product can result in **DEATH** or **SERIOUS INJURY**.

DO NOT allow anyone who has not read the instructions to install or use this booster seat.

WARNING! Use only the vehicle's lap and shoulder belt system when restraining the child in this booster seat.

Use **ONLY** with children who weigh between 40–120 lb (18–54 kg) and whose height is 38 to 60 inches (96 to 152 cm)

High Back Belt Positioning Booster seat: At least four years old, 40–110 lb (18–50 kg), 38–60 inches (96–152 cm) tall

No Back Belt Positioning Booster seat: At least five years old, 50–120 lb (23–54 kg), 38–60 inches (96–152 cm) tall

This restraint is not certified for aircraft use.

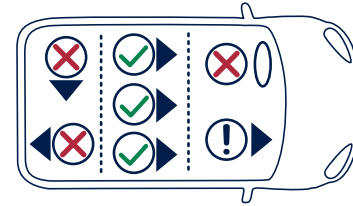
DO NOT use booster if it is more than 10 years old. Check the manufacturer’s label or stamped ‘do not use after’ date on the bottom of the booster.

DO NOT use another manufacturer’s soft goods with this booster as the soft goods constitute an integral part of the booster performance.

DO NOT use in any configuration not shown in the instructions.

DO NOT install rear facing or side facing.

DO NOT install in the front passenger seat with an active airbag, unless the air bag can be turned **OFF**.



Please refer to vehicle owner’s manual for recommended or suggested installation positions.

This booster must be installed in the rear vehicle seat.

NEVER leave your child unattended.

Properly position the Vehicle Lap & Shoulder Belt on your child. A loose or improperly positioned Vehicle Lap & Shoulder Belt could cause the child to be ejected in a sudden stop, turn or crash and cause serious injury or death.

Make sure the Vehicle Lap & Shoulder Belt are not loose.

The Vehicle Shoulder Belt should rest on the child's shoulder and across the center of the chest.

The Vehicle Lap Belt must remain snug across the child's thighs.

NEVER leave a booster unsecured in your vehicle. An unsecured booster can be thrown around and may injure occupants in a sharp turn, sudden stop or crash. Remove it or make sure that it is secured in the vehicle.

NEVER leave luggage or other objects unsecured in a vehicle, as they are liable to cause injuries in the event of a collision.

NEVER use a booster if it has damaged or missing parts. **DO NOT** use a cut, frayed or damaged vehicle seat belt.

NEVER use a car seat that has been involved in a moderate to severe crash. **See page 12** to learn the difference between a minor and moderate to severe crash.

DO NOT modify your booster or use any accessories or parts supplied by other manufacturers.

The booster can become very hot if left in the sun. Contact with these parts can burn your child's skin. Always touch the surface of any metal or plastic parts before placing your child in the booster.

According to accident statistics, children are safer when properly restrained in the rear seating positions of the vehicle than in the front seating positions.

For a vehicle with a front passenger air bag, refer to your vehicle owner's manual as well as these instructions for a booster installation.

NEVER give this booster to another person without also giving them these instructions.

Car Seat Use after a Crash

The National Highway Traffic Safety Administration (NHTSA) recommends that car seats be replaced following a moderate or severe crash. Car seats do not automatically need to be replaced following a minor crash.

A minor crash is one in which **ALL** of these apply:

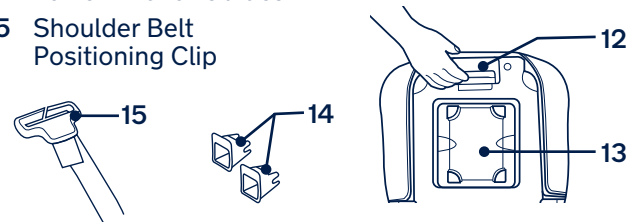
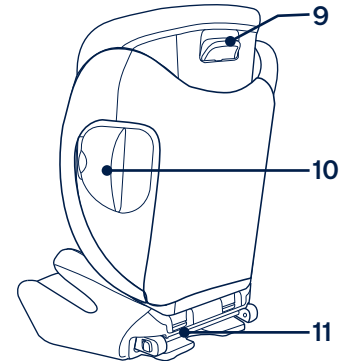
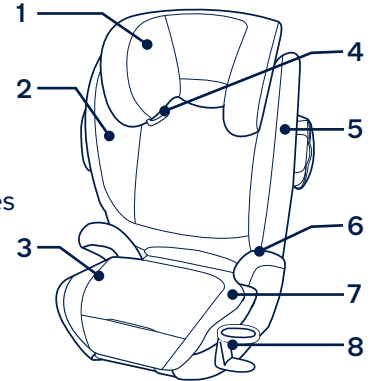
- The vehicle was able to be driven away from the crash site.
- The vehicle door nearest to the car seat was not damaged.
- None of the passengers in the vehicle sustained any injuries in the crash.
- If the vehicle has air bags, none of the air bags deployed during the crash; and
- There is no visible damage to the car seat.

Any crash that does not meet all of the above criteria for a minor crash is considered a moderate to severe crash. **NEVER** use a car seat that has been involved in a moderate to severe crash.

Information from nhtsa.gov

Parts List

- 1 Head Support
- 2 Side Support
- 3 Seat Covers
- 4 Shoulder Belt Guides
- 5 Seat Back
- 6 Armrest
- 7 Seat Bottom
- 8 Cup Holder
- 9 Head Support Adjustment Lever
- 10 Side Impact Protection (SIP) Pod
- 11 Lower Anchor Connectors
- 12 Lower Anchor Release Lever or Recline Lever (under seat)
- 13 Instructional Manual (under seat)
- 14 Lower Anchor Guides
- 15 Shoulder Belt Positioning Clip



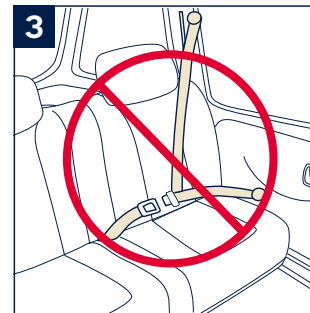
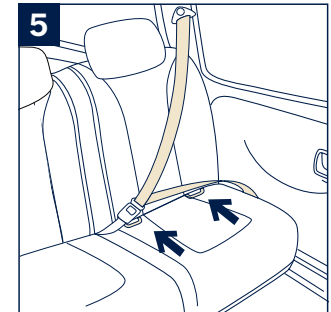
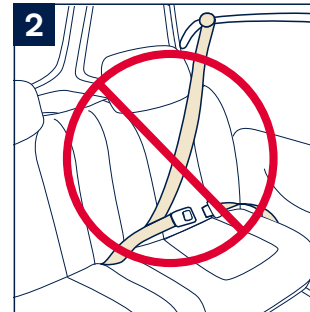
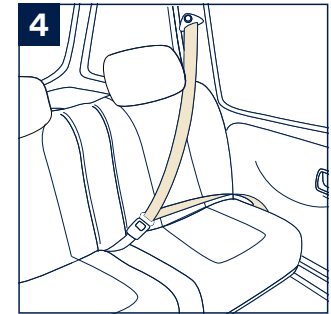
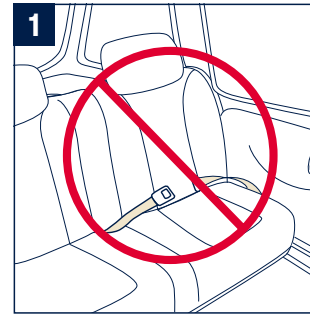
Vehicle Seat Belt Systems

- 1 - **DO NOT** install the booster on vehicle seats with Lap Belts only.
- 2 - **DO NOT** install the booster on vehicle seats with lap belts and motorized shoulder belts.
- 3 - **DO NOT** install the booster on vehicle seats with belts that are attached to the door or that move along a track.
- 4 - This booster seat must be installed in vehicle seats with 3-point seat belts (lap and shoulder belts).
- 5 - This booster seat can be installed with lap and shoulder belts in a vehicle seat that includes Lower Anchors. The Lower Anchors must be be at standard spacing 11" only. Please refer to the vehicle owner's manual for designated Lower Anchor locations in the vehicle.

The child must be restrained using the Vehicle Shoulder Belt and Lap Belt.

DO NOT use the Lower Anchors to restrain the child. The Lower Anchors are only to be used for securing the booster seat in the vehicle and to function the recline feature in the High Back booster mode. The Lower Anchors can only be used in the No Back booster mode for securing the booster seat in the vehicle.

The recline feature is **NOT** available in the No Back booster mode.



Child Restraint Overview

Seat Assembly

- 1 - With the seat lying flat, attach the Seat Back to the booster Seat Bottom by hooking the Seat Back hooks over the Seat Bottom as shown.
- 2 - Now rotate the Seat Back up until it clicks into position and the seat is fully upright as shown.

Side Impact Protection (SIP) Pods

- 3 - To open the SIP Pods pull out on the side tab.
- 4 - To close push button (1) and push in (2).

SIP Pods should be deployed whenever the Child Restraint is installed in a vehicle.

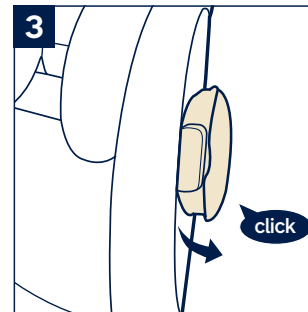
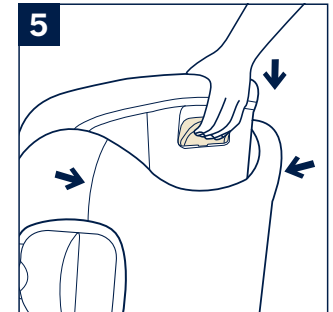
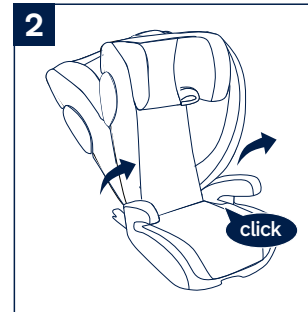
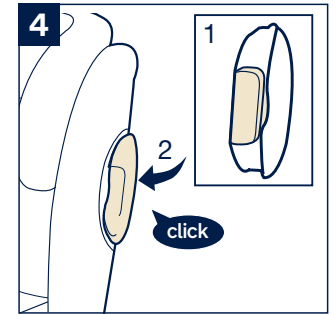
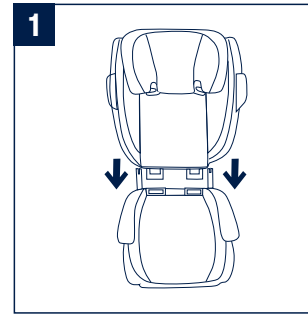
Seat Adjustment for Head Support and Shoulders

The Head Support height can be adjusted for best fit to your child and proper placement of the Vehicle Shoulder Belt. Before adjusting the Head Support height have your child lean forward slightly.

Bottom of Head Support **MUST** be even with the top of your child's shoulder.

- 5 - To adjust, squeeze the Head Support Adjustment Lever, then pull up or push down the Head Support until it locks into one of the nine positions.

As the Head Support is adjusted up, the sides of the seat automatically move outward to provide more shoulder room.



Seat Adjustment for Seat Bottom

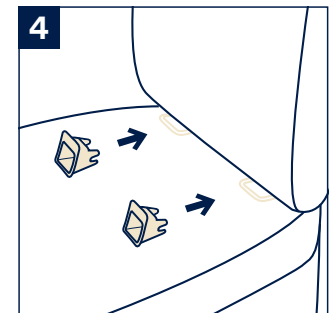
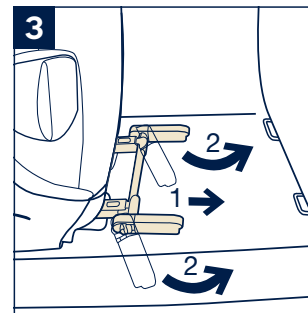
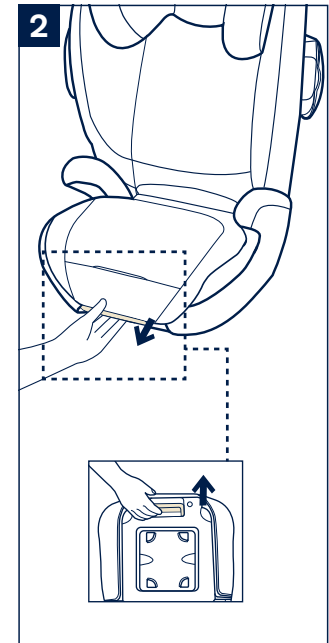
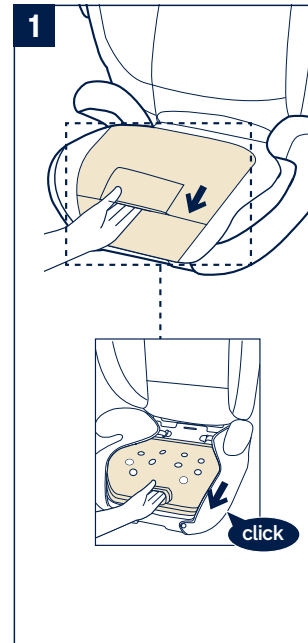
The seat bottom depth can be adjusted for added comfort for the child. Three positions are provided for best fit.

- 1 - Reach under the cover to adjust the seating surface. Slide the seating surface in or out as needed for additional thigh support.

Use of Lower Anchor Connectors

If vehicle is equipped with Lower Anchors they may be visible in the vehicle seat where the vehicle seat back meets the vehicle seat bottom. See your vehicle owner's manual for exact locations, Lower Anchor identification, and requirements for use.

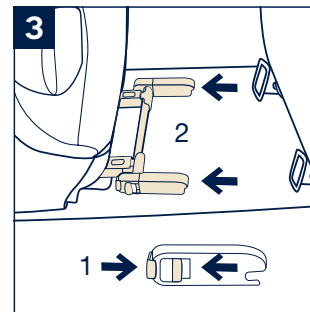
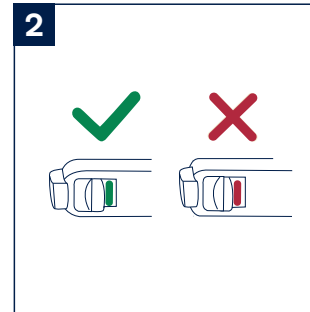
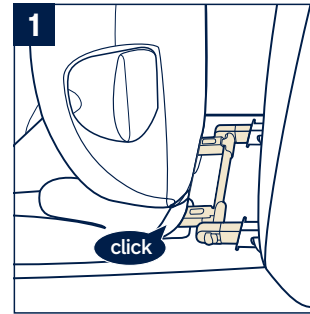
- 2 - To use the Lower Anchor Connectors, release the connectors by pulling and holding the Lower Anchor Release Lever on the bottom of the booster seat.
- 3 - While holding the Lower Anchor Release Lever, pull out and fully extend the Lower Anchor Connectors (1) and rotate them 180 degrees (2) until they are pointing toward the Lower Anchors in the vehicle.
- 4 - To ease attachment of the Lower Anchor Connectors, if desired, attach the provided Nuna Lower Anchor Guides by hooking them onto the vehicle Lower Anchors.



- 1 - Line up the Lower Anchor Connectors with the vehicle's Lower Anchors and press both connectors firmly until a click is heard and both are securely fastened.

Make sure that both Lower Anchor Connectors are securely attached to the vehicle's Lower Anchors.

- 2 - The Lower Anchor Connectors will both show green when secured properly. (Check to make sure the booster seat is securely installed by pulling out on both the Lower Anchor Connectors.)
- 3 - To detach the Lower Anchor Connectors from the vehicle, move seat bottom out to position 8, then squeeze the release buttons on the Lower Anchor Connectors (1) while pulling out. (2)



Use as a High Back Belt Positioning Booster

- 1** - Your child must meet **ALL** of the following requirements below:

Age: At least 4 years old

Weight: 40–110 lb (18–50 kg)

Height: 38–60 in (96–152 cm) tall



- 2** - Your booster has two seat back positions as shown, fully upright **(1)** and reclined **(2)**.

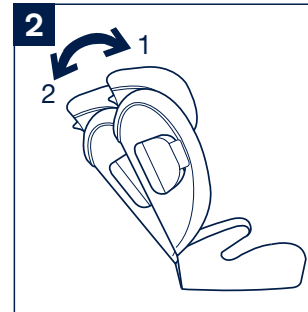
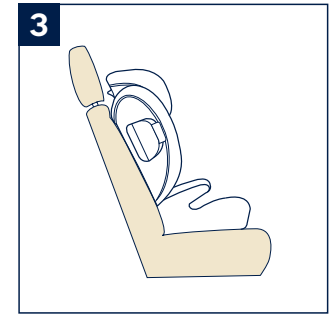
Use without Lower Anchors

- 3** - The back of the booster seat **MUST** fit tightly against the back of the vehicle seat back when not using the Lower Anchors. Adjust or remove the vehicle headrest as needed to remove interference.

If you remove your vehicle headrest, be sure to stow it in a secure place; check your vehicle owner's manual.

- 4** - Do not use with seat back beyond position 2.

The front of the booster **MUST NOT** hang over the front of the vehicle seat.



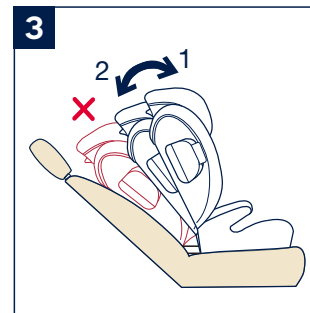
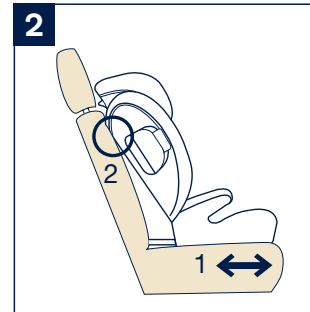
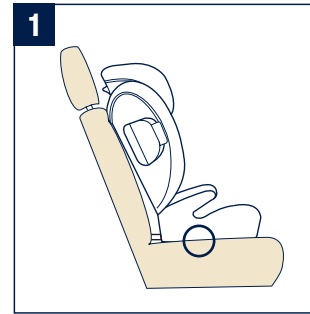
Use with Lower Anchors and Recline Feature

The booster has a recline feature to best fit your vehicle and provide maximum comfort to your child.

- 1 - Place vehicle seat back in normal upright position. Connect booster to vehicle Lower Anchors (see Use of Lower Anchors). Ensure bottom of booster is in full contact with vehicle seat.
- 2 - Adjust the seat bottom by holding the Recline Lever and moving the seat in or out to obtain desired recline as shown in (1). Ensure the back of the booster is in contact with vehicle seat as shown in (2). Adjust or remove vehicle headrest as needed to remove interference.

If you remove your vehicle headrest, be sure to stow it in a secure place; check your vehicle owner's manual.

- 3 - **▲ WARNING: NEVER** use booster when reclined beyond the recline position 2.



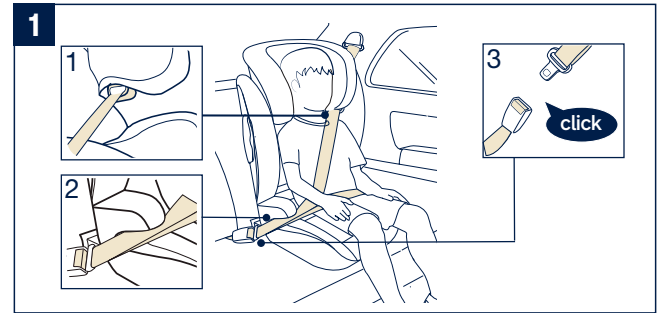
Securing a Child in the High Back Booster Mode

- 1 - With the booster correctly positioned in the vehicle, raise the Head Support and route the Vehicle Shoulder Belt through the **RED** shoulder belt guide (1). The bottom of the Head Support should be at the top of the child's shoulder. Route the Vehicle Shoulder Belt across the child's chest through the **RED** lower belt path, located under the armrest, toward the vehicle buckle (2). Then secure the vehicle buckle and listen for a "click." The vehicle lap belt must lie flat and snug across the child's thighs. The Vehicle Lap Belt must be positioned low on the pelvis (3).

DO NOT position the Vehicle Lap Belt over the armrest. It must pass under the armrest.

Make sure the Vehicle Shoulder Belt is routed completely through the shoulder belt guide.

- 2 - To properly adjust the Head Support, have your child sit in the booster with their back flat against the back of the booster seat. The correct Head Support height is obtained when the bottom of the Head Support is even with the top of your child's shoulders and the Vehicle Shoulder Belt is laying flat across their chest. Pull up towards the vehicle belt retractor to remove slack.
- 3 - The Vehicle Shoulder Belt must route completely through the **RED** Shoulder Belt Guide and not fall off the child's shoulder.



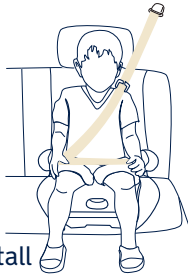
Use as a No Back Belt Positioning Booster

1 - Your child must meet ALL of the following requirements below:

Age: At least 5 years old

Weight: 50–120 lb (23–54 kg)

Height: 38–60 inches (96–152 cm) tall



The No Back Booster can be installed with or without the Lower Anchor Connectors.

If installing without the Lower Anchor Connectors, ensure the Lower Anchor Connectors are stored in the seat bottom, refer to “Use of Lower Anchor Connectors.” If the seat back is attached, remove the seat back by reversing the steps shown in “Seat Assembly.”

Installing without Lower Anchor Connectors

Place the back of the booster against the back of the vehicle seat back.

In the No Back Booster mode, the recline function cannot be used.

Installing with Lower Anchor Connectors

Remove the seat back by reversing steps shown in “Seat Assembly.”

Connect the Lower Anchor Connectors to the vehicle’s Lower Anchors. See “Use of Lower Anchor Connectors.”

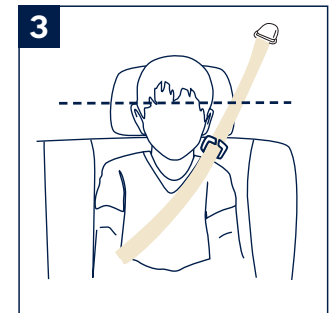
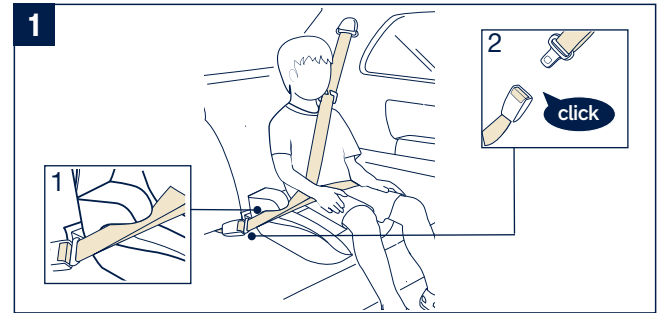
While holding the Lower Anchor Release Lever, adjust the booster until it is in contact with the vehicle’s seat back. Refer to “Use of Lower Anchor Connectors.”

Securing a Child in the No Back Booster Mode

With the booster correctly positioned in the vehicle, have the child sit on the booster seat with their back against the vehicle's seat back.

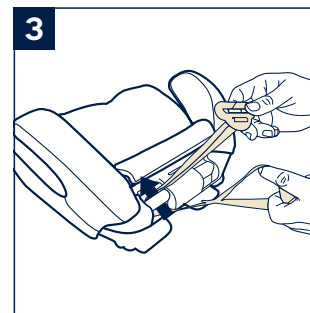
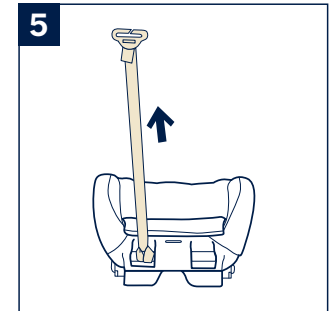
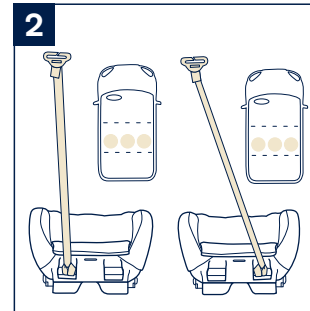
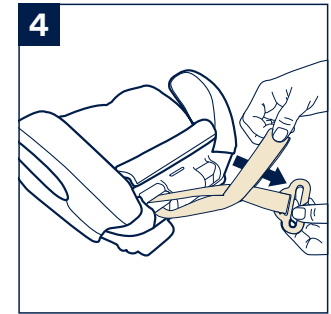
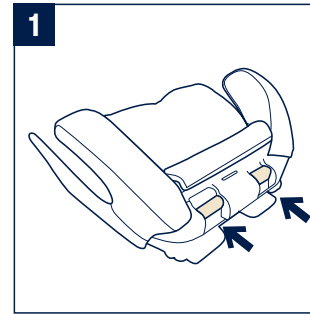
- 1 - Route the Vehicle Belt through the **RED** lower belt path, located under the armrest (1) and toward the vehicle buckle then secure the vehicle buckle and listen for a “click” (2). The Vehicle Shoulder Belt should lie flat across the child's chest and the Vehicle Lap Belt should be snug across the child's thighs. The shoulder belt must lie across the child's shoulder.
- 2 - If the Vehicle Shoulder Belt falls outside the blue zone shown in image, use the Shoulder Belt Positioning Clip for proper placement of the Vehicle Shoulder Belt. Refer to Shoulder Belt Positioning Clip.
- 3 - Route the Vehicle Shoulder Belt through the Shoulder Belt Positioning Clip. Adjust the Shoulder Belt Positioning Clip by pulling down on the strap so the Shoulder Belt Positioning Clip is slightly above the child's shoulder as shown.

The top of the child's ears should be **AT** or **BELOW** the top of the vehicle seat back or the vehicle's headrest.



Use of Shoulder Belt Positioning Clip

- 1 - The Shoulder Belt Positioning Clip must be attached to the horizontal bar located on either side of the booster seat bottom.
 - 2 - The Shoulder Belt Positioning Clip can be installed on either side of the booster to achieve the best fit for your child in your vehicle.
 - 3 - Insert the loop end of the strap around the horizontal bar on the back of the booster.
 - 4 - Pass the Shoulder Belt Positioning Clip through the loop
 - 5 - Pull up on the strap.
- 6 - It is important for the Vehicle Shoulder Belt to fall within the blue zone, shown in illustration.**



Cup Holder Assembly

- 1 - Insert the Cup Holder clip into the opening on either side of seat.
- 2 - Make sure the Cup Holder clip is fully inserted into both the fabric and plastic slot on booster.

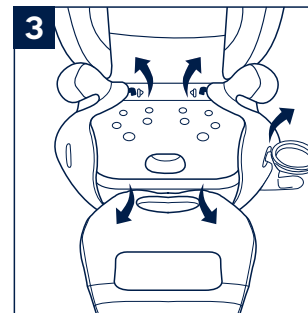
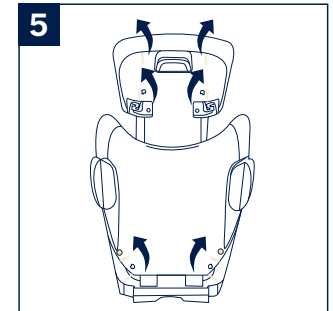
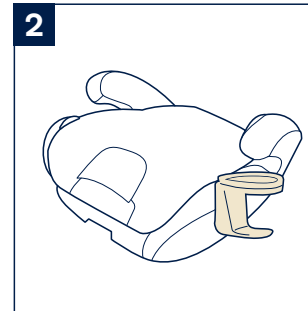
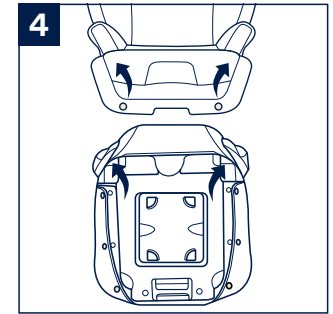
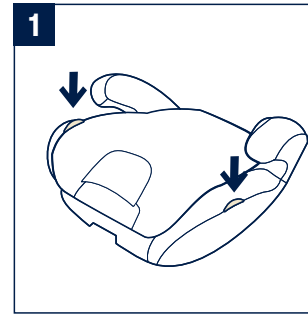
Never place hot liquids in the Cup Holder.

Detach Covers

- 3 - Remove the Cup Holder and pull out the seat bottom fabric by removing the 3 plastic attachments.
- 4 - Open 8 snaps on seat bottom and remove cover.
- 5 - On the main seat back cover, open the 2 snaps and unhook 4 elastic bands on the back side and remove. On the Head Support, raise to highest position, then unhook 4 elastic bands and remove.

To reassemble the covers simply reverse the steps above.

Use care not to damage energy absorbing foam when removing seat covers.



Cleaning and Maintenance

Refer to the care label attached to the soft goods for washing and drying instructions.

Use only mild detergent, water and a soft cloth to clean the booster seat shell, handle and harness straps. Air dry.

Remove the child restraint from the vehicle seat if not in use for a long period of time. Put the booster seat in a cool, dry place and somewhere your child cannot access it.

It is normal for fabric to color from sunlight and to show wear and tear after a long period of use, even when used normally.

Check regularly if everything functions properly. If any parts are torn, broken, or missing, stop using this product.

Nuna Baby Essentials, Inc. Nuna and all associated logos are trademarks.

⚠ ADVERTENCIA: Lea cuidadosamente y entienda todas las instrucciones y advertencias de este manual y las que se encuentran en la silla infantil. En caso de no hacerlo, puede resultar en **LESIONES GRAVES** o **LA MUERTE** del niño. Guarde el manual en la bolsa que se encuentra en la parte trasera de la base para consultarlo en un futuro.

Índice

Información del producto	40-41
Registro del producto	40
Información para recordar	40
Garantía	41
Contacto	41
Requisitos para el uso con niños	42
Advertencias	43-47
Uso de la silla para coche después de un accidente	48
Lista de partes	49
Sistemas de cinturones del vehículo	50
Información general de la silla infantil para coche	52-71
Montaje del asiento	52
Accesorios de protección lateral contra el impacto (SIP)	52
Ajuste del asiento para el soporte de la cabeza y los hombros	52
Ajuste del asiento para la parte inferior del asiento	54
Uso de los conectores del ancla inferior	54
Uso como silla elevadora con cinturón en respaldo alto	58
Asegurar al niño en el modo silla elevadora con respaldo alto	62
Uso como silla elevadora sin cinturón en el respaldo	64
Asegurar al niño en el modo silla elevadora sin respaldo	66
Uso del cierre para posicionar el cinturón del hombro	68
Montaje del soporte para vaso	70
Quitar las fundas	70
Limpieza y mantenimiento	72

Información del producto

Número de modelo: _____

Fabricado en (fecha): _____

Registro del producto

Favor llenar la información anterior. El número de modelo y la fecha de fabricación se localizan en la etiqueta que se encuentra en la parte inferior de la silla para coche. Llene la tarjeta de registro prepagada que se anexa en el Almohadilla del asiento y envíela por correo hoy.

Las sillas infantiles para coche podrían ser retirados del mercado por razones de seguridad. Debe registrar esta silla para coche para comunicarnos con usted en caso de una devolución. Indique su nombre, domicilio y dirección de correo electrónico y el número de modelo de la silla infantil para coche y la fecha de fabricación y envíela a:

Nuna Baby Essentials Inc.
70 Thousand Oaks Blvd., Morgantown, PA 19543

o llame al 1.855.NUNA.USA

Información sobre la devolución

Para obtener información sobre una devolución, llame a la línea de emergencia de Seguridad Vehicular del gobierno de Estados Unidos: 1.888.327.4236 (TTY: 1.800.424.9153) o vaya a <http://www.NHTSA.gov>

Garantía

Diseñamos nuestros productos con alta calidad para que puedan crecer tanto con su hijo como con su familia. Debido a que respaldamos nuestro producto, nuestro equipo está cubierto por una garantía personalizada por producto, cuya vigencia inicia en la fecha de compra. Cuando se comuniquen con nosotros, tenga a la mano la prueba de la compra, el número del modelo y la fecha de fabricación.

Para información sobre la garantía, visite:
www.nunababy.com/warranty

Contacto

Si requiere piezas de repuesto, servicio o tiene preguntas adicionales sobre la garantía, comuníquese a nuestro departamento de servicio al cliente.

En los Estados Unidos:
infousa@nunababy.com
www.nunababy.com
1.855.NUNA.USA

Requisitos para el uso con niños

Silla elevadora con cinturón en respaldo alto

Su hijo debe cumplir con **TODOS** los requisitos siguientes:

Edad: Por lo menos 4 años de edad

Peso: 40-110 lb (18-50 kg)

Altura: 38–60 pulgadas (96–152 cm) de altura

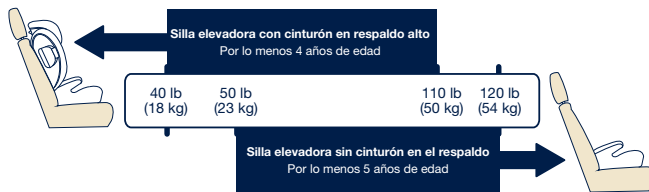
Silla elevadora sin cinturón en el respaldo

Su hijo debe cumplir con **TODOS** los requisitos siguientes:

Edad: Por lo menos 5 años de edad

Peso: 50–120 lb (23–54 kg)

Altura: 38–60 pulgadas (96–152 cm) de altura



⚠️ ADVERTENCIAS

**PUEDA PROVOCAR LA MUERTE
O LESIONES GRAVES,**

Lea todas las instrucciones antes de usar esta silla elevadora.

Conserve las instrucciones para su uso posterior.

Use el botón que se encuentra en la base de la silla elevadora para guardar las instrucciones.

Lea las instrucciones de esta silla infantil antes de usarla o instalarla en un vehículo. Además, lea el manual del vehículo para información sobre la instalación de una silla infantil. El no seguir las instrucciones de este manual de silla infantil o de las etiquetas de este producto puede provocar la **MUERTE** o **LESIONES GRAVES**.

NO permita que ninguna persona que no haya leído las instrucciones instale o use la silla elevadora.

¡ADVERTENCIA! Use solo el sistema de cinturones para el regazo y el hombro del vehículo cuando asegure al niño en esta silla infantil.

Use **SOLO** con niños que pesen entre 40–120 lb (18–54 kg) y cuya altura sea de 38 a 60 pulgadas (96 to 152 cm)

Silla elevadora con cinturón en respaldo alto: Al menos 4 años de edad, 40-110 lb (18-50 kg), -38-60 pulg. (96-152 cm) de altura.

Silla elevadora sin cinturón en la parte posterior: Al menos cinco años de edad, 50–120 lb (23-54 kg), 38-60 pulg. pulg. (96-152 cm) de altura.

Esta silla infantil no está certificada para uso en aeronaves.

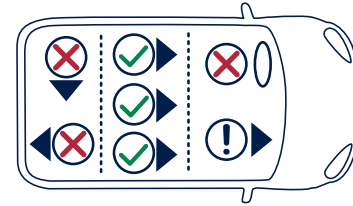
NO use esta silla elevadora si el niño tiene más de 10 años. Consulte la etiqueta del fabricante o el estampado que indica la fecha "no se use después de" en la parte inferior de la silla elevadora.

NO use en esta silla elevadora los artículos suaves de otros fabricantes ya que los productos suaves forman parte integral del funcionamiento de la silla elevadora.

NO la use con ninguna configuración que no se muestre en las instrucciones.

NO la instale orientada hacia atrás o hacia el lado.

NO la instale en el asiento frontal del pasajero si tiene una bolsa de aire activa, a menos que ésta esté **DESACTIVADA**.



Consulte recomendaciones o posiciones de instalación sugeridas en el manual del vehículo.

La silla elevadora debe instalarse en el asiento posterior del vehículo.

NUNCA deje a su hijo sin atención.

Coloque adecuadamente los cinturones del regazo y del hombro del vehículo en el niño. Un cinturón del regazo o del hombro flojos o mal colocados podrían causar que el niño saliera expulsado en caso de aplicación de frenos repentina, giro repentino o choque, y causar lesiones serias o la muerte.

Verifique que los cinturones del regazo y del hombro del vehículo no estén flojos.

El cinturón del hombro del vehículo debe descansar en el hombro del niño y cruzar el centro de su pecho.

El cinturón del regazo del vehículo debe quedar ajustado a través de los muslos del niño.

NUNCA deje la silla elevadora sin asegurar en su vehículo. Una silla elevadora que no está asegurada puede salir disparada y causar lesiones a los ocupantes en caso de un giro cerrado, aplicación repentina de frenos o un choque. Retírela o asegúrela bien en el vehículo.

NUNCA deje equipaje ni otros objetos sueltos en el vehículo, ya que podrían causar lesiones en caso de colisión.

NUNCA use una silla elevadora si está dañada o le faltan partes. **NO** la use si el cinturón del vehículo está cortado, rasgado o dañado.

NUNCA use un asiento para coche que estuvo involucrado en un choque moderado o severo. **Consulte la página 48** para información sobre la clasificación de un choque de moderado a severo.

NO modifique su silla elevadora ni use ningún accesorio o partes de otros fabricantes.

La silla elevadora puede calentarse mucho si se deja al sol. El contacto con estas partes puede quemar la piel de su niño. Siempre toque la superficie de las partes metálicas o plásticas antes de colocar a su hijo en la silla elevadora.

De acuerdo con las estadísticas de accidentes, los niños están más seguros cuando se les coloca en sus sillas en los asientos traseros que cuando se les coloca en los asientos delanteros del vehículo.

En el caso de un vehículo que tenga bolsa de aire para el asiento frontal del pasajero, consulte el manual del propietario del vehículo y también estas instrucciones para instalar la silla elevadora.

NUNCA entregue esta silla elevadora a alguien más sin entregarle también estas instrucciones.

Uso de la silla para coche después de un accidente

La Administración Nacional de Seguridad del Tráfico en las Carreteras (NHTSA) recomienda que los asientos para coche se reemplacen después de un choque severo o moderado. No es necesario cambiar automáticamente los asientos después de un choque menor.

Un choque menor es aquel en el que aplican **TODOS** los siguientes:

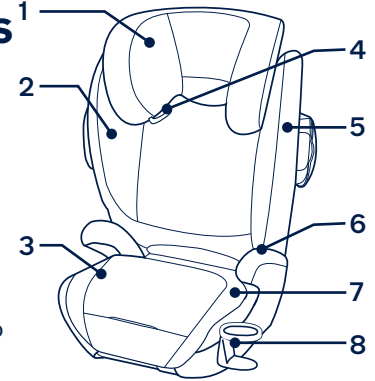
- Fue posible mover el vehículo del sitio del accidente.
- Las puertas más cercanas al asiento infantil no se dañaron.
- Ninguno de los pasajeros del vehículo sufrió lesiones durante el choque.
- Si el vehículo tiene bolsas de aire, ninguna de ellas se abrió durante el choque y
- No hay daño visible en el asiento infantil.

Cualquier choque que no cumpla con los criterios anteriores para choque menor se considera choque de moderado a severo. **NUNCA** use un asiento para coche que estuvo involucrado en un choque moderado o severo.

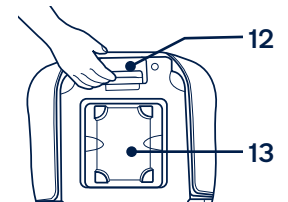
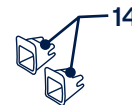
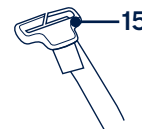
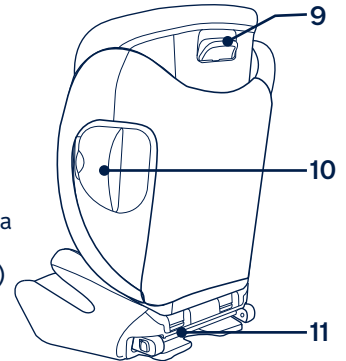
Información de nhtsa.gov

Lista de partes

- 1 Soporte para la cabeza
- 2 Soporte lateral
- 3 Fundas del asiento
- 4 Guías del cinturón del hombro
- 5 Respaldo del asiento
- 6 Descansabrazos
- 7 Parte inferior del asiento
- 8 Soporte para vaso



- 9 Palanca para ajustar el soporte de la cabeza
- 10 Accesorios de protección lateral contra el impacto (SIP)
- 11 Conectores del ancla inferior
- 12 Palanca para liberar el ancla inferior o palanca para inclinar (debajo del asiento)
- 13 Manual de instrucciones (debajo del asiento)
- 14 Guías del ancla inferior
- 15 Cierre para posicionar el cinturón del hombro



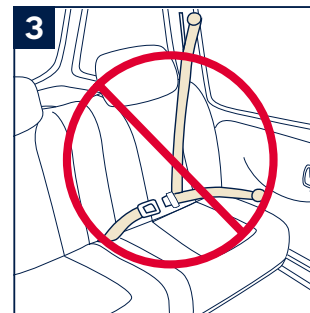
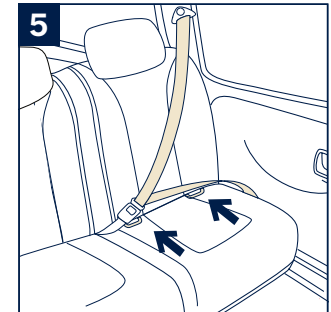
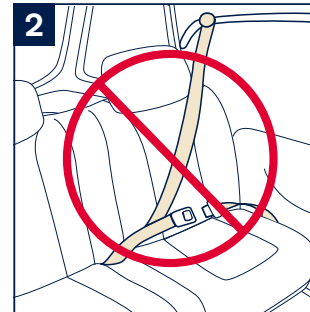
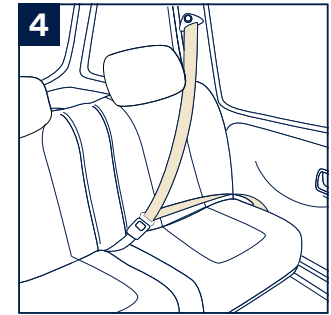
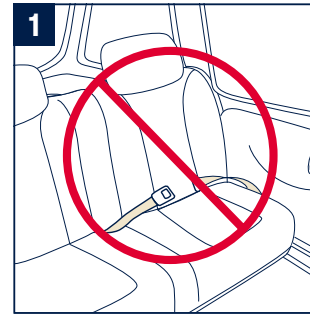
Sistemas de cinturones del vehículo

- 1- **NO** instale la silla elevadora en vehículos que solo tengan cinturones de regazo.
- 2- **NO** instale la silla elevadora en vehículos que tengan cinturones de regazo y cinturones de hombro motorizados.
- 3- **NO** instale la silla elevadora en vehículos con cinturones unidos a la puerta o que se mueven durante el trayecto.
- 4- Esta silla elevadora debe instalarse en vehículos que tengan cinturones con 3 puntos (cinturones de regazo y hombro).
- 5- Esta silla elevadora se puede instalar con cinturones de regazo y de hombro en un asiento de automóvil que tiene anclas inferiores. Las anclas inferiores deben tener un espacio estándar de 11" solamente. Consulte el manual del propietario del vehículo para información sobre las ubicaciones designadas de las anclas inferiores.

El niño se debe sujetar usando el cinturón del hombro y el cinturón del regazo del vehículo.

NO use las anclas inferiores para retener al niño. Las anclas inferiores solo deben usarse para asegurar la silla elevadora en el vehículo y para la función de inclinación en el modo silla elevadora con respaldo alto. Las anclas inferiores solo se pueden usar en el modo silla elevadora sin respaldo para asegurar la silla elevadora al vehículo.

La función de inclinación **NO** está disponible en el modo silla elevadora sin respaldo.



Información general de la silla infantil para coche

Montaje del asiento

- 1- Con el asiento en posición plana, coloque el respaldo del asiento en la parte inferior de la silla elevadora enganchando los ganchos del respaldo de la silla sobre la parte inferior del asiento como se muestra.
- 2- Ahora gire el respaldo del asiento hasta que haga clic en su posición y el asiento esté completamente derecho como se muestra.

Accesorios de protección lateral contra el impacto (SIP)

- 3- Para abrir los accesorios SIP jale en la pestaña lateral.
- 4- Para cerrar oprima el botón (1) y empuje(2).

Los accesorios SIP deben desplegarse siempre que la silla infantil se instale en un vehículo.

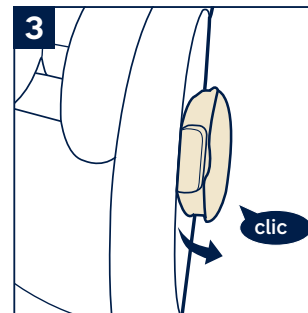
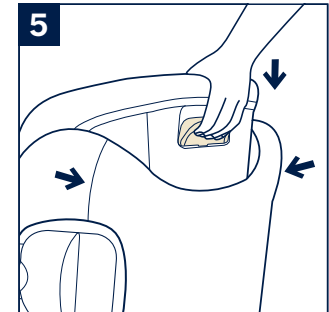
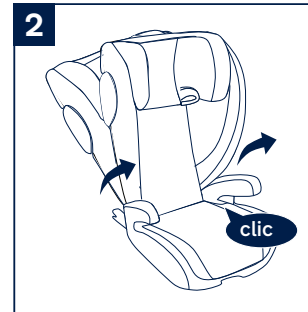
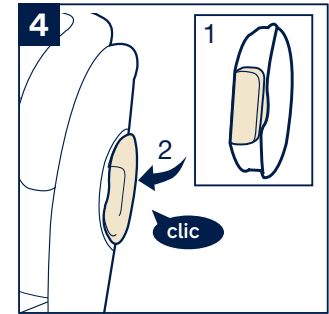
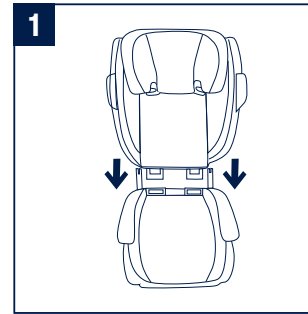
Ajuste del asiento para el soporte de la cabeza y los hombros

La altura del soporte de la cabeza debe ajustarse para adaptarla a su niño y el cinturón del hombro del vehículo debe colocarse adecuadamente. Antes de ajustar la altura del soporte de la cabeza, incline al niño ligeramente hacia adelante.

La parte inferior del soporte para la cabeza **DEBE** estar al nivel de la parte superior del hombro del niño.

- 5- Para ajustar, oprima la palanca de ajuste del soporte de la cabeza, luego jale hacia arriba o empuje el soporte de la cabeza hasta que se bloquee en una de las nueve posiciones.

Debido a que el soporte para la cabeza está ajustado hacia arriba, los lados de la silla automáticamente se mueven hacia adentro para dejar más espacio para el hombro.



Ajuste del asiento para la parte inferior del asiento

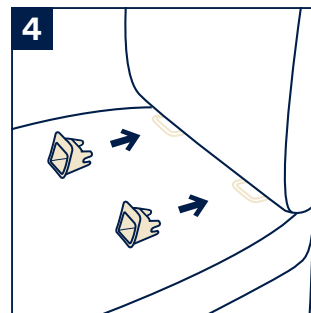
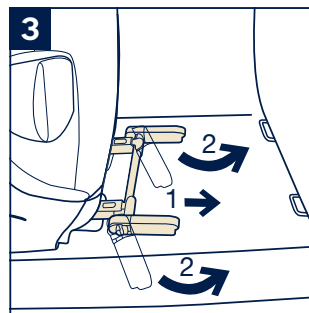
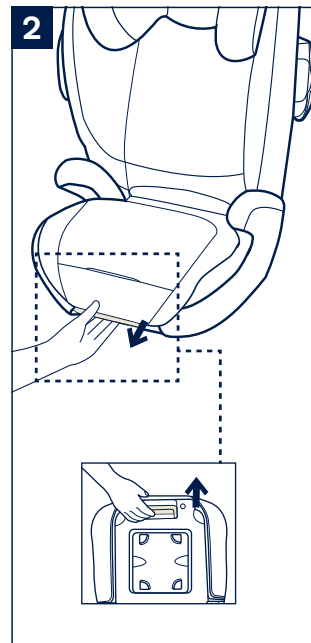
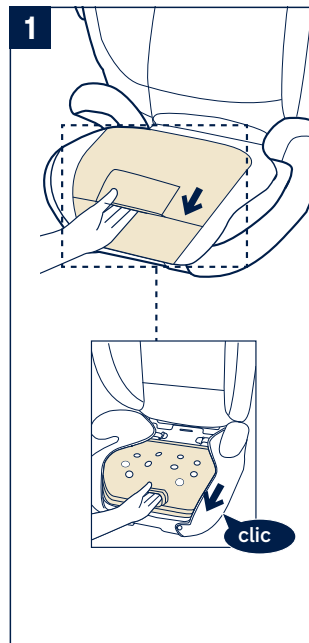
La profundidad de la parte inferior del asiento se puede ajustar para que su hijo esté más cómodo. Cuenta con tres posiciones para un mejor ajuste.

- 1 - Puede ajustar la superficie del asiento debajo de la cubierta. Deslice la superficie del asiento hacia adentro o hacia afuera según sea necesario para brindar más apoyo a los muslos.

Uso de los conectores del ancla inferior

Si el vehículo está equipado con anclas inferiores, estarán serán visibles en el asiento del vehículo donde el respaldo se une la parte inferior del asiento. Consulte el manual del propietario del vehículo para ver las ubicaciones exactas, identificar el ancla inferior y los requerimientos de uso.

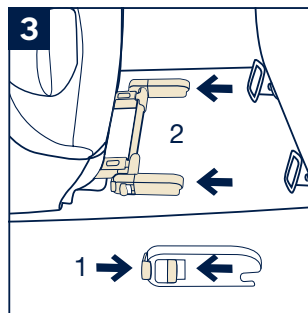
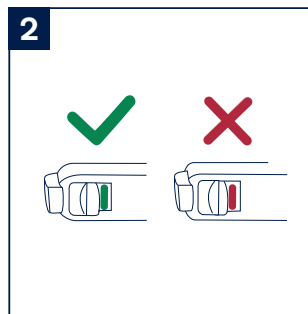
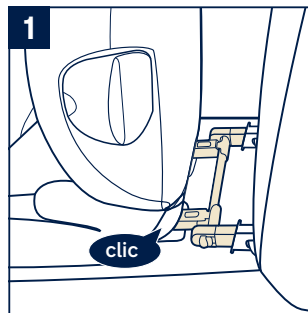
- 2 - Para usar los conectores de las anclas inferiores, libere los conectores jalando y sosteniendo la palanca para liberar las anclas inferiores en la parte inferior de la silla elevadora.
- 3 - Mientras sostiene la palanca para liberar el ancla inferior, jale y extienda completamente los conectores del ancla inferior (1) y gírelos 180 grados (2) hasta que apunten hacia las anclas inferiores del vehículo.
- 4 - Para facilitar la colocación de los conectores de las anclas inferiores, si lo desea, coloque las guías de las anclas inferiores Nuna que se proporcionan enganchándolas en las anclas inferiores del vehículo.



- 1 - Alinee los conectores del ancla inferior con las anclas inferiores del vehículo y presione firmemente ambos conectores hasta que escuche un clic y ambos están ajustados y seguros.

Verifique que ambos conectores del ancla inferior estén bien colocados y seguros en las anclas inferiores del vehículo.

- 2 - Ambos conectores del ancla inferior deben mostrarse en verde cuando están bien asegurados. (Verifique que la silla elevadora esté bien instalada jalándola de ambos conectores de las anclas inferiores.
- 3 - Para retirar los conectores del ancla inferior del vehículo, mueva hacia afuera la parte inferior del asiento a la posición 8, luego oprima los botones de liberación en los conectores del ancla inferior (1) al mismo tiempo que los jala. (2)



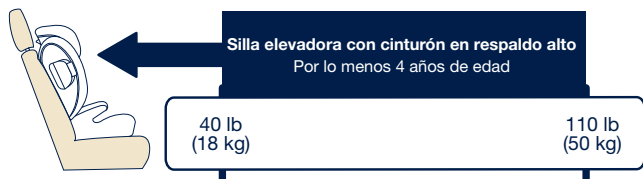
Uso como silla elevadora con cinturón en respaldo alto

- 1- Su hijo debe cumplir con **TODOS** los requisitos siguientes:

Edad: Por lo menos 4 años de edad

Peso: 40-110 lb (18-50 kg)

Altura: 38-60 pulgadas (96-152 cm) de altura



- 2- Su silla elevadora tiene dos posiciones en el respaldo como se muestra, completamente derecha (1) e inclinada(2).

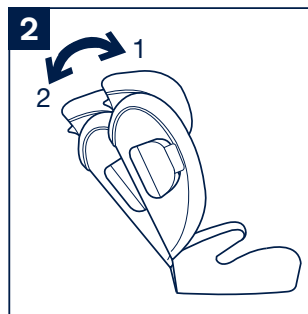
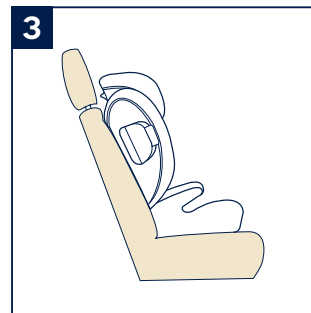
Uso sin las anclas inferiores

- 3- El respaldo de la silla elevadora **DEBE** estar bien ajustado al respaldo del asiento del vehículo cuando no use las anclas inferiores. Ajuste o retire el reposacabezas según necesario para eliminar la interferencia.

Si retira el reposacabezas de su vehículo, asegúrese de guardarlo en un lugar seguro, consulte su manual del propietario del vehículo.

- 4- No la use con el respaldo del asiento más allá de la posición 2.

El frente de la silla elevadora **NO DEBE** colgar sobre el frente del asiento del vehículo.



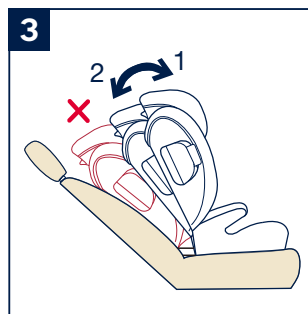
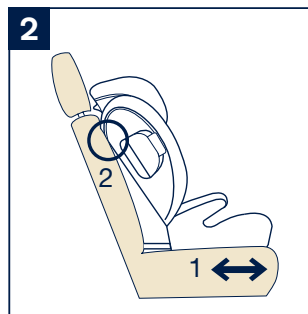
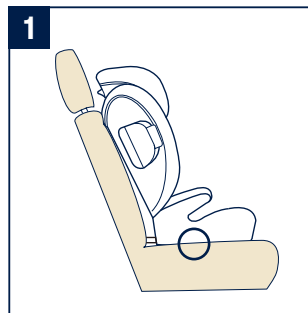
Úsela con las anclas inferiores y la función de inclinación.

La silla elevadora tiene una función de inclinación para adaptarse mejor a su vehículo y proporcionar el máximo confort a su hijo.

- 1 - Coloque el respaldo del asiento del vehículo en la posición normal vertical. Conecte la silla elevadora a las anclas inferiores del vehículo (ver Uso de las anclas inferiores). Verifique que la parte inferior de la silla elevadora esté completamente en contacto con el asiento del vehículo.
- 2 - Ajuste la parte inferior del asiento sosteniendo la palanca de inclinación y moviendo el asiento hacia adentro o hacia afuera hasta obtener la inclinación deseada como se muestra en (1). Verifique que el respaldo de la silla elevadora esté en contacto con el asiento del vehículo como se muestra en (2). Ajuste o retire el reposacabezas según necesario para eliminar la interferencia.

Si retira el reposacabezas de su vehículo, asegúrese de guardarlo en un lugar seguro, consulte su manual del propietario del vehículo.

- 3 - **⚠ ADVERTENCIA: NUNCA** use la silla elevadora más allá de la posición de inclinación 2.



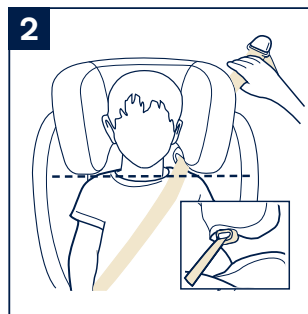
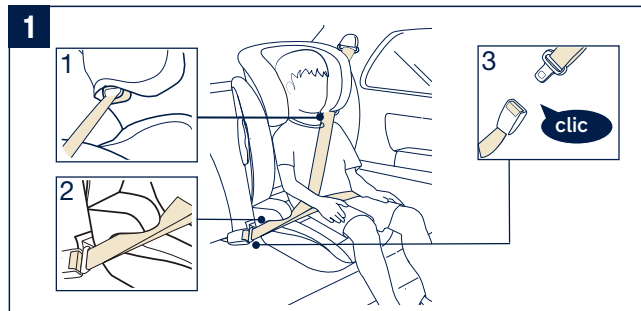
Asegurar al niño en el modo silla elevadora con respaldo alto

- 1- Con la silla correctamente posicionada en el vehículo, levante el soporte de la cabeza y pase el cinturón del vehículo a través de la guía del cinturón del hombro **ROJO (1)**. La parte inferior del soporte de la cabeza debe estar en la parte superior del hombro del niño. Coloque el cinturón del hombro del vehículo cruzando del pecho del niño a través del recorrido del cinturón inferior **ROJO** que se localiza debajo del descansabrazos, hacia la hebilla del vehículo **(2)**. Luego asegure la hebilla del vehículo y escuche un “clic.” El cinturón del regazo del vehículo debe quedar plano y ajustado a través de los muslos del niño. El cinturón del regazo del vehículo debe estar posicionado debajo en la pelvis.**(3)**.

NO coloque el cinturón del regazo del vehículo sobre el descansabrazos. Debe pasar debajo del descansabrazos.

Asegúrese de que el cinturón del hombro del vehículo pase completamente a través de la guía del cinturón del hombro.

- 2- Para ajustar adecuadamente el soporte de la cabeza, siente al niño en la silla elevadora con su espalda plana contra el respaldo de la misma. La altura correcta del soporte de la cabeza se logra cuando la parte inferior de este soporte está nivelada con la parte superior de los hombros del niño y el cinturón del hombro del vehículo está plano y cruza su pecho. Jale el retractor del cinturón del vehículo para tensarlo.
- 3- El cinturón del hombro del vehículo debe pasar completamente a través de la guía del cinturón del hombro **ROJO** y no debe resbalarse del hombro del niño.



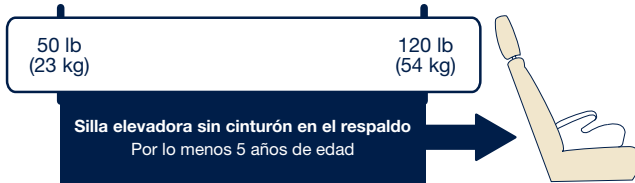
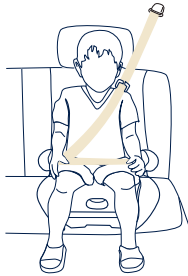
Uso como silla elevadora sin cinturón en el respaldo

1 - Su hijo debe cumplir con **TODOS** los requisitos siguientes:

Edad: Por lo menos 5 años de edad

Peso: 50–120 lb (23–54 kg)

Altura: 38–60 pulgadas (96–152 cm) de altura



La silla elevadora sin respaldo se puede instalar con o sin los conectores del ancla inferior.

En caso de instalarla sin los conectores del ancla inferior, verifique que éstos estén guardados en la parte inferior del asiento, consulte "Uso de los conectores del ancla inferior." Si el respaldo del asiento está colocado, retírelo realizando al revés los pasos que se indican en "Montaje del asiento."

Instalación sin conectores del ancla inferior

Coloque el respaldo de la silla elevadora contra el respaldo del asiento trasero del vehículo.

La función de inclinación no debe usarse en el modo Silla elevadora sin respaldo.

Instalación con conectores del ancla inferior

Retire el respaldo del asiento realizando al revés los pasos que se indican en "Montaje del asiento."

Conecte los conectores del ancla inferior a las anclas inferiores del vehículo. Ver "Uso de los conectores del ancla inferior."

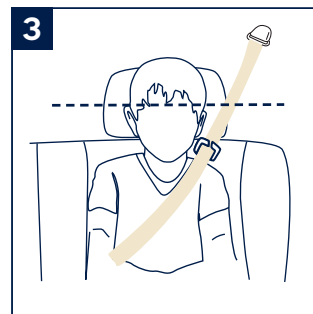
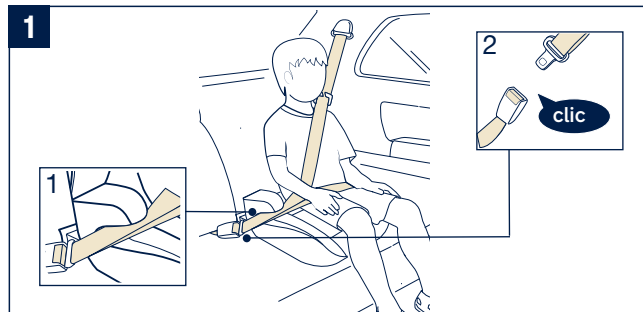
Mientras sostiene la palanca de liberación del ancla inferior, ajuste la silla elevadora hasta que entre en contacto con el respaldo del asiento del vehículo. Ver "Uso de los conectores del ancla inferior."

Asegurar al niño en el modo silla elevadora sin respaldo

Con la silla elevadora correctamente instalada en el vehículo, siente al niño en ella con su espalda contra el respaldo del asiento.

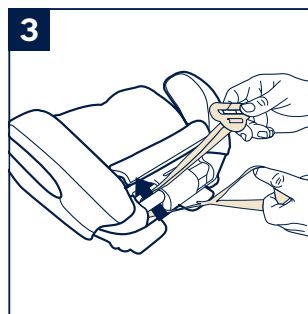
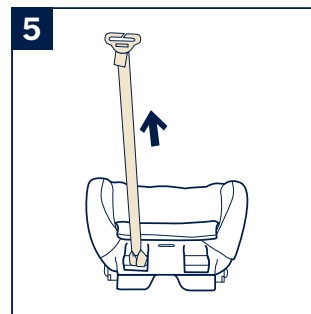
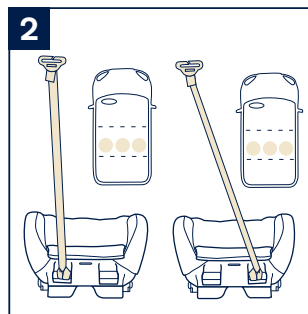
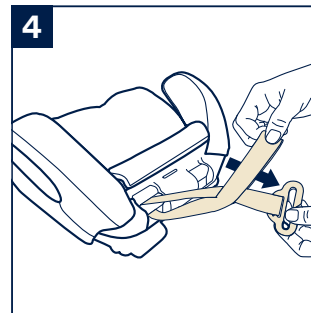
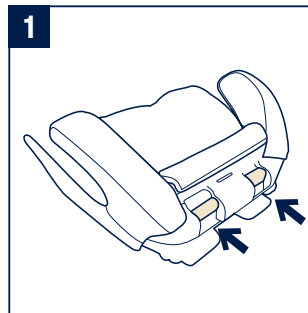
- 1 - Pase el cinturón del vehículo a través del recorrido del cinturón inferior **ROJO** que se encuentra debajo del descansabrazos (1) y hacia la hebilla del vehículo, luego asegure ésta y escuche un "clic". (2). El cinturón del hombro del vehículo debe estar plano y sobre el pecho del niño y el cinturón del regazo del vehículo debe estar bien ajustado a través de los muslos. El cinturón del hombro debe pasar por el hombro del niño.
- 2 - Si el cinturón del hombro del vehículo queda fuera de la zona azul que se muestra en la imagen, use el cierre para posicionar el cinturón del hombro para colocarlo correctamente. Consulte Cierre para posicionar el cinturón del hombro.
- 3 - Pase el cinturón del hombro del vehículo a través del cierre para posicionar el cinturón del hombro. Jale hacia abajo la correa para ajustar el cierre para posicionar el cinturón del hombro de tal forma que el cierre para posicionar quede ligeramente arriba del hombro del niño como se muestra.

La parte superior de las orejas del niño debe estar **EN** o **DEBAJO** de la parte superior del respaldo del asiento o del descansabrazos del vehículo.



Uso del cierre para posicionar el cinturón del hombro

- 1 - El cierre para posicionar el cinturón del hombro debe colocarse en la barra horizontal que se ubica en cualquiera de los lados de la parte inferior de la silla elevadora.
 - 2 - El cierre para posicionar el cinturón del hombro se puede instalar en cualquiera de los lados de la silla elevadora para lograr el mejor ajuste para su niño.
 - 3 - Inserte el extremo del lazo de la correa alrededor de la barra horizontal en la parte inferior de la silla elevadora.
 - 4 - Pase el cierre posicionador del cinturón del hombro a través del lazo.
 - 5 - Jale la correa.
- 6 - Es importante que el cinturón del hombro del vehículo quede dentro de la zona azul que se muestra en la ilustración.**



Montaje del soporte para vaso

- 1 - Inserte el cierre del soporte para vaso en la abertura que se encuentra en los lados de la silla.
- 2 - Verifique que el cierre del soporte para vaso esté completamente insertado tanto en la ranura de tela como en la ranura de plástico de la silla elevadora.

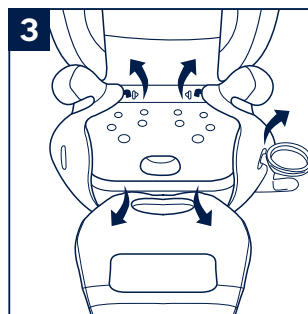
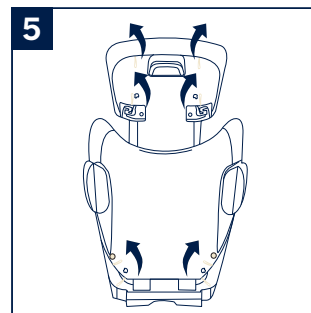
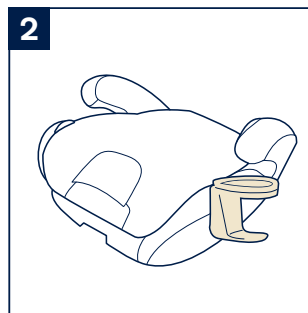
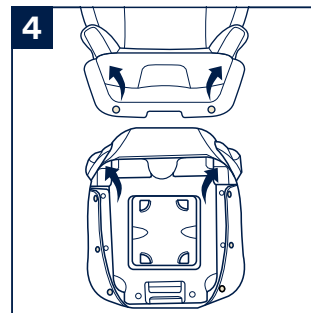
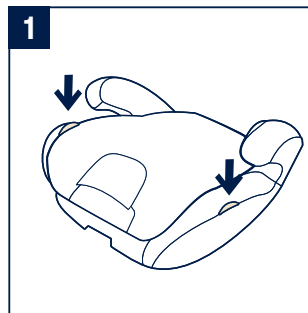
Nunca ponga líquidos calientes en el soporte para el vaso.

Quitar las fundas

- 3 - Retire el soporte para vaso y jale la tela de la parte inferior de la silla retirando los tres accesorios de plástico.
- 4 - Abra los 8 broches de la parte inferior del asiento y retire la funda.
- 5 - En la funda principal de la parte inferior del asiento, abra los dos broches y desabroche las 4 bandas elásticas que se encuentran en la parte de atrás y retírelas. Levante a su posición más alta el soporte de la cabeza, luego desabroche las 4 bandas elásticas y retire.

Para volver a colocar las fundas, simplemente realice al revés los pasos anteriores.

Tenga cuidado de no dañar la espuma que absorbe la energía cuando retire las fundas de la silla.



Limpeza y mantenimiento

Consulte las instrucciones de lavado y secado en la etiqueta de cuidado.

Use solo detergentes suaves, agua y un paño suave para limpiar la carcasa, el asa y las correas del arnés de la Silla elevadora. Seque al aire.

Retire la silla infantil del vehículo si no la va a usar durante un periodo prolongado. Guarde la silla elevadora en un lugar fresco y seco y no la deje al alcance de los niños.

Es normal que la tela se decolore debido a la luz del sol y muestre desgaste después de un periodo de uso prolongado, incluso cuando se usa en condiciones normales.

Verifique regularmente que todo funciona adecuadamente. Si alguna pieza está desgastada, rota o falta, deje de usar el producto.

Nuna Baby Essentials, Inc. Los logotipos de Nuna y de todos sus asociados son marcas registradas.