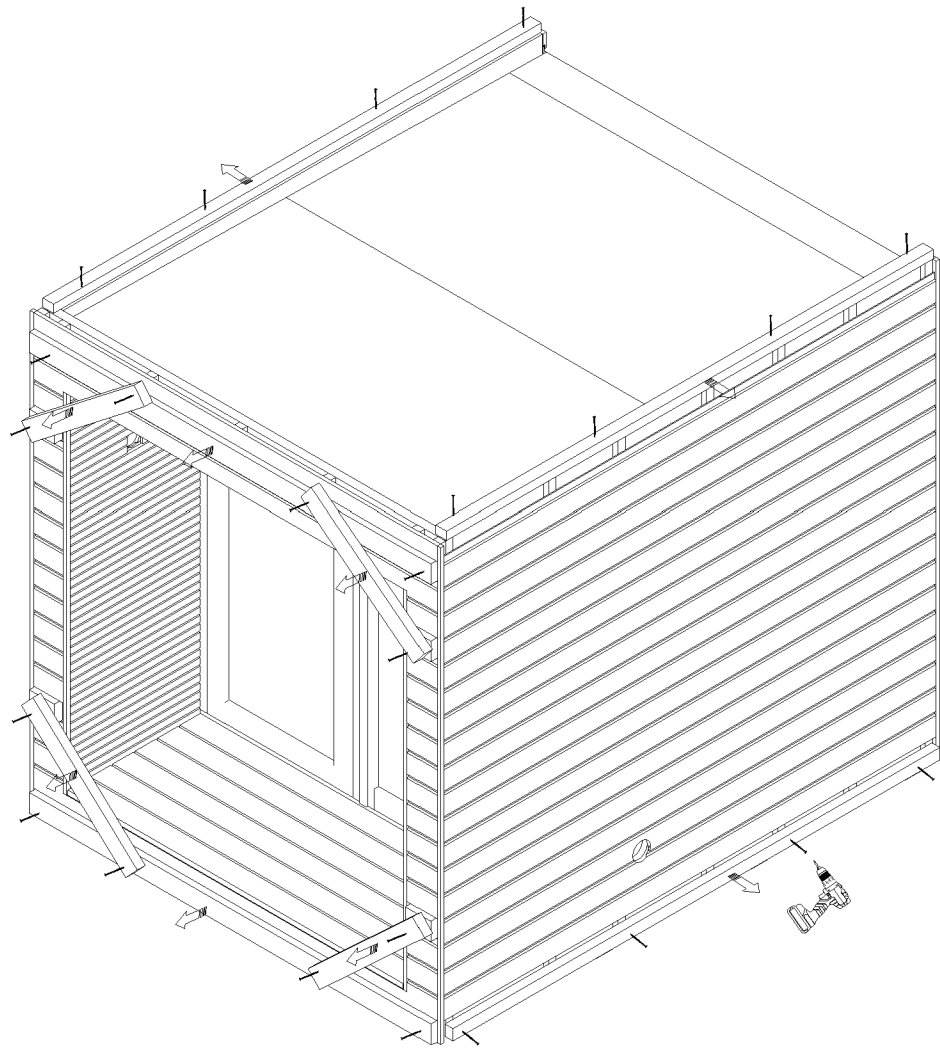
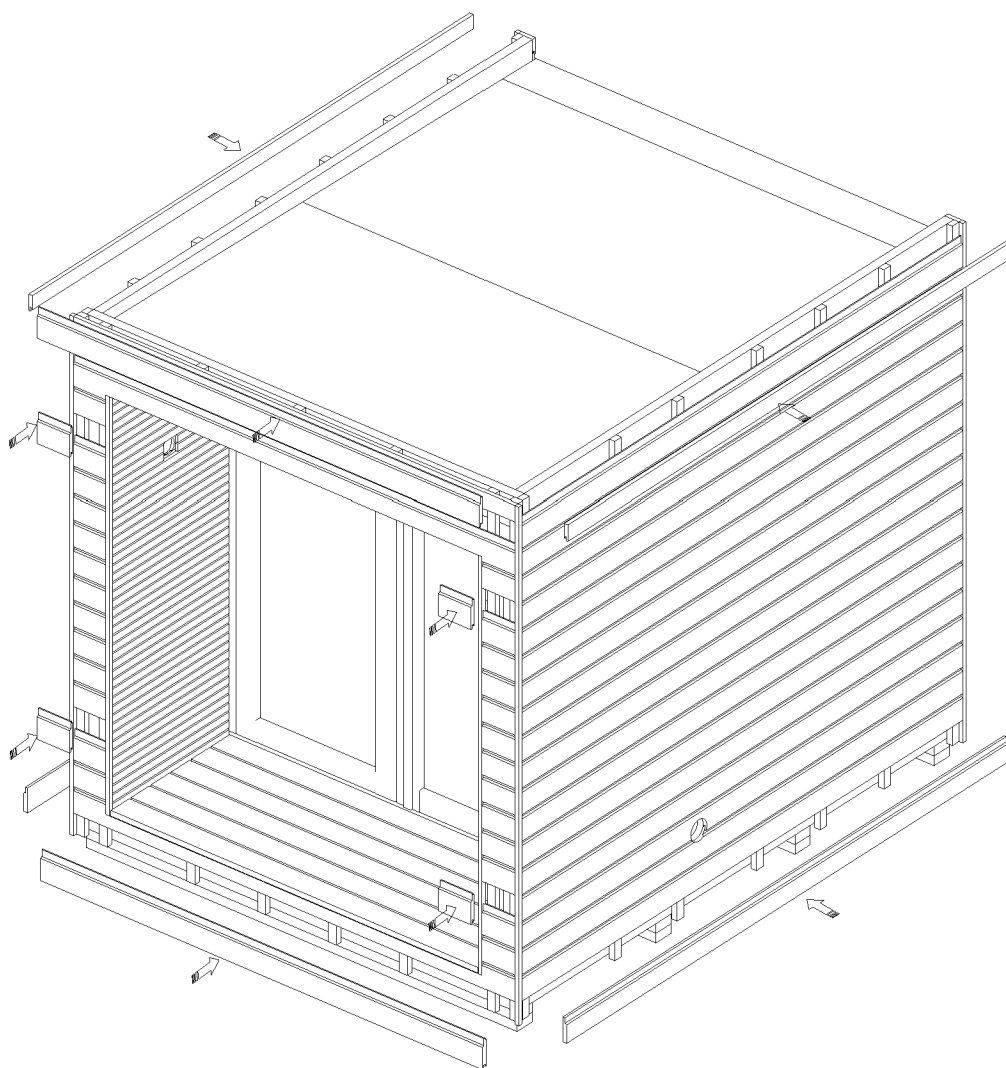


1. Transportation laths removal



2. Fix loose boards



3. Install roof stains

