



LnCcabinetry.com

NORTH CAROLINA

2908 STEWART CREEK BLVD CHARLOTTE NC 28216

Call: 704.900.5086 Text: 704.900.5044

LnCcabinetryCLT@Gmail.com

VIRGINIA

2028 VIRGINIA BEACH BLVD VIRGINIA BEACH VA 23454

Call :757.917.5619 Text :757.917.5655

LnCcabinetryVAB@Gmail.com

TENNESSEE

3101 CENTRE POINTE DR LA VERGNE TN 37086

Call :615-668-8788

info@lncntn.com



LnCcabinetry.com



CATALOG 2023 EDITION
YOUR DREAM IS OUR MISSION

CATALOG 2023 EDITION

LnCcabinetry.com

© COPYRIGHT OF L&C CABINETS

Table Of Contents

• About Us	1-12
• Introduction	9-12
• Join Conditions	13-14
• Cabinet Construction & Warranty	17
• Door Styles	19-23
• Floor	25-26
• Wall Cabinets	30-34
• Base Cabinets	36-37
• Pantries	38
• Vanities	39-40
• Roll Out Tray	41
• Molding	43-44
• Filler & Panels	45-46
• Accessories	47-48
• Service	51
• Measurement Guide	53-56
• Factory	61-64

ABOUT US



SINCE 2005

L&C Cabinetry has provided quality kitchen and bath cabinets to the southeast for more than 14 years. Our products are the finest components with features that are standard with our cabinets that are high priced in the most other cabinet lines. Our 300,000 square foot warehouses located in Louisiana, Florida and North Carolina, allow us to deliver flat pack or assembled cabinets nationwide. The most orders are ready to be delivered in 5 to 7 days! We design, manufacture and assemble our cabinets with top grade components, provide the best possible prices anywhere. There is no middleman and no one beats our prices! For more information, visit our Showroom or Website.

Today, our products remain available to builders, installers, and general public. Our focus is to provide unparalleled quality, unrivaled convenience, and unbeatable prices for cabinetry nationwide with multiple distribution centers in North Carolina and Virginia.

L&C·CABINETS

A kitchen with a bad layout needs more than new cabinets, just like new teeth won't fix a bad smile. Let us do both.

-Lauren Dilorma





Today's kitchen is all about a well-planned space that makes cooking a completely interactive experience among family and friends.

-Logan C. Richardson



Past, present, or future, kitchens will always be the place memories are created and cherished.

-Williams T. Bridges



We can't organize your life, so let's start with the kitchen.
- Ana J. Andrade

© COPY RIGHT OF L&C CABINETRY



The small details on a cabinet makes a space unique and memorable to the homeowner, imagine that feeling in a kitchen.
- Jace Benefield



The food builds our bodies, our company strengthens our hearts, and the kitchen develops our souls.

- Carol X. Barrientos Rios



Kitchens, like life, are all about balance: Functionality with beauty, skill with education, family with...maybe just friends.

- David J. Maradiaga



ANSI/KCMA A161.1-2019
L&C CABINETRY

Certificate Number: 1751
Issue Date: May 16, 2019
Expiration Date: August 31, 2020
Supersedes Certificate No : 16051

LISTING

CERTIFICATE

THIS CERTIFIES THAT

L&C CABINETRY

Is a current member in the Kitchen Cabinet Manufacturers Association Certification Program and is manufacturing the following lines of kitchen cabinets and/or bathroom vanity cabinets in conformance with American National Standard ANSI/KCMA A161.1-2017, Performance and Construction Standard for Kitchen and Vanity Cabinets:

Cabinet line	Door Style	(species)
D1 Natural	Shaker	Maple
D2 White Shaker	Shaker	Maple
D3 Shallow Green	Shaker	Maple
D4 Naval	Shaker	Maple
D5 CyberSpace	Shaker	Maple
D6 Dove Grey	Shaker	Maple
D8 Black Swan	Shaker	Maple
D9 Pearl White	Raised Panel	Maple
G1 Espresso Shaker	Shaker	Maple
G4 Grey Shaker	Shaker	Maple
G8 Royal Blue	Shaker	Maple
L2 Aveley	Shaker	Maple
S1 Ash Gary	Shaker	Maple
S2 Honey Shaker	Shaker	Maple

Only factory assembled cabinets are certified

These cabinet lines are listed in the Kitchen Cabinet Manufacturers Association Directory of Certified Cabinet Manufacturers. This manufacturer is authorized to apply KCMA certification Seals to the Kitchen and bath cabinet lines listed above.

This certificate may be updated at any time and will expire on the date listed above. This certificate may also be canceled for non-conformity with the requirements of the Certification Program or upon voluntary withdrawal from the program by the manufacturer

Charles P. Arnold
Director of Certification

This certificate is current as of the issue date
Current listing information is at www.kcma.org







- 1 Market inspection: understand the market situation, inspect local building materials brands, competitors
- 2 Agents' intention to negotiate: company introduction, joining conditions, methods and requirements
- 3 Initial selection: The investment manager evaluates and scores the comprehensive strength of the prospective agents, such as industry experience, employment experience, financial strength, etc., whether it meets the company's standards
- 4 Intention application: Fill in the agent's joining materials, "Affiliate Join Application Form", "Joining Applicant Information Registration Form", "Business Plan"
- 5 Company review: review and approve the joining materials and comprehensive strength of potential agents
- 6 Application approval: After the approval, the agent is invited to visit the exhibition hall and conduct a face-to-face review at the headquarters.
- 7 Formally signed cooperation with agents, docking between store administrators and agents, distribution of information
- 8 Interested customers call the hotline 704-900-5086 or 704-900-5044 to fully understand the cooperation matters

JOIN ADVANTAGE

- 1 Manufacturing advantages
L&C has 300,000 square feet of Asia's largest overall home production base in Vietnam, the world's leading German flexible production line, and international advanced digital customization system, product manufacturing automation, informatization, and refinement.
The strategic cooperation with the world's top raw materials and hardware accessories brands has inherited the perfect manufacturing concept of American solid wood cabinets and strict process management, ensuring the high quality of L&C cabinet products to lead the domestic counterparts. The three major lines of fashion, classics, and noble series covered by L&C products meet the needs of consumers at different levels and create more new combinations of wealth.
- 2 Brand advantages
L&C is one of the most powerful brands in the building materials and home furnishing industry in the United States. After 15 years of brand accumulation and continuous advertising and promotion, the L&C brand has long been deeply rooted in the hearts of the people. The quality and price of the product have been recognized by the market. "YOUR DREAM IS OUR MISSION" Advertising is well-known and has become the mainstream values of our brand. Now that L&C cabinets have entered a new stage of development, they will surely become the leading brands in the cabinet industry. The elites of agents everywhere continue to join, and joining L&C has become a symbol of the strength of agents. In L&C, the words that agents feel the most are: "The dream is as big as the stage provided by L&C"!
- 3 Advertising advantages
Spend huge sums of money every year to launch brand advertisements, and cooperate with domestic and foreign home media to carry out all-round cooperation (fashion conferences, special issues, designers and other activities). support.
The opening of the business and the support of unified advertising by the headquarters, cooperate with franchisees to carry out media advertising at different times and publicize in various ways, creating maximum influence and brand effect, and winning market opportunities.
- 4 Channel advantages
At present, L&C's warehouses in North Carolina / Louisiana / Florida have more than 40,000 square feet of goods distribution in 5 major wholesale centers and a sound DL factory production and supply channel can reflect the great tension and attraction of the DL brand force.
And in the development of more warehousing and wholesale centers.
- 5 After-sales service advantages
The after-sales service support system is perfect, with outlets all over the central and southern regions. Intimate service, worry-free after-sales.
- 6 Comprehensive support advantages
L&C professional senior trainer team provides a full range of boss training, designer training, installation engineer training, store manager training, shopping guide training, project development training, community promotion training to help agents build professional L&C sales teams and continuously improve team quality.
- 7 The team of more than 60 senior designers in the L&C display design department supports one-on-one agent's new store decoration design, store renovation and decoration, and store SI standardization.
- 8 The L&C Marketing Department specializes in planning large-scale national promotional themed activities and holiday-themed promotional activities, which are continuously launched. Combined with the strong advertising media delivery advantages of L&C headquarters, L&C has ensured its leading position in the building materials and home furnishing industries everywhere.
It also ensures the super influence and sales power of franchising agents in various places.



PARTNER



0% APR



SHERWIN WILLIAMS.

hardware resources



2020 Design

DTC 东泰



Our design professionals will cater to your dreams and vision, with useful suggestions to enhance or create a new look for your kitchen/bath ideas with excellent customer service, professionalism and attention to detail.

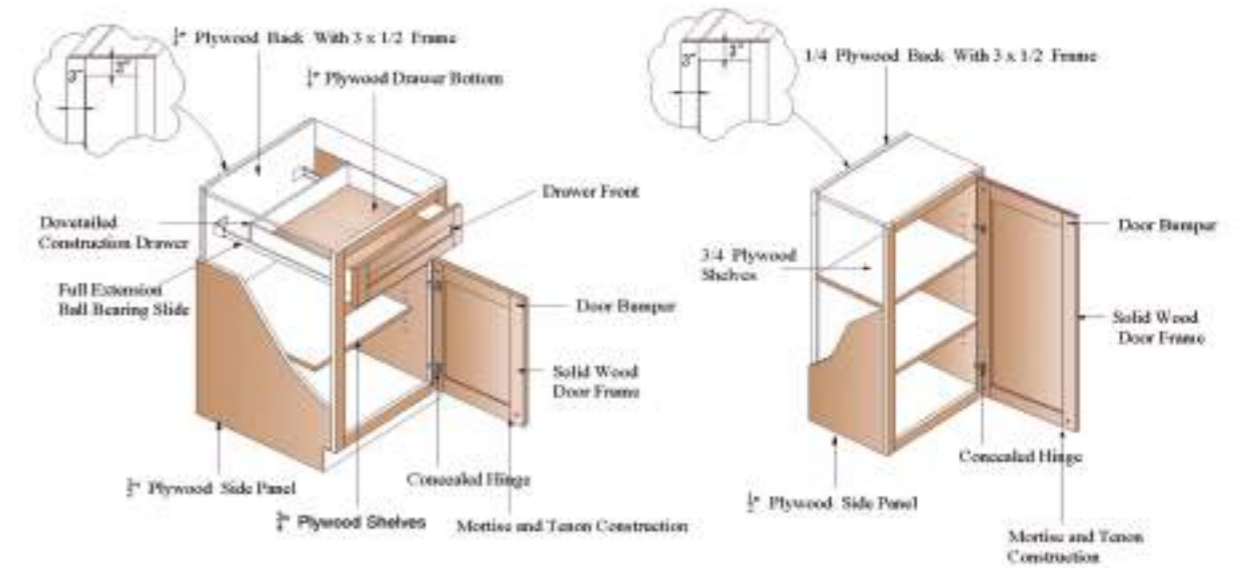
-Zavyan Pam



COPY RIGHT OF L&C CABINETRY

Everything happens in the kitchen. Life happens in the kitchen.

- Sonni Lu



LIMITED - 3 YEARS WARRANTY

L&C CABINETRY extends the following limited -3 years warranty ("Limited Warranty") to the original Purchaser ("You" or a cabinet or a vanity distributed by Us each, a "Product"). This Limited Warranty is only applicable to Products sold to the original Purchaser. We warrant to You that each Product will be free from defects in material and workmanship, under normal use and maintenance, for the applicable warranty period.

What Does the Limited Warranty Cover?

Subject to the exclusions and limitations set forth in this Limited Warranty, we warrant to you that each Product will be free defects in material and workmanship, under normal use and maintenance. The warranty period for Your Product is for as long as You own the dwelling or structure in which Your Product was originally installed.

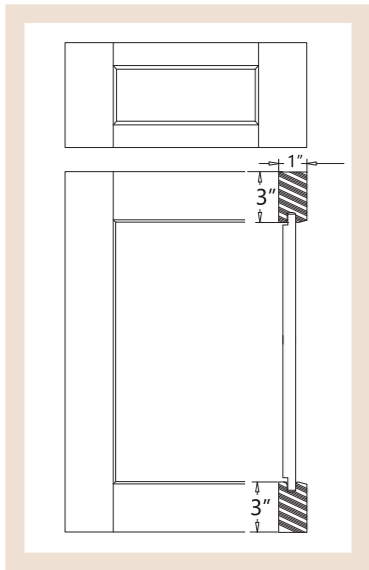
The Limited Warranty does not apply to Products that are:

1. Installed or used outdoors.
2. Used for purposes for which it is not designed or intended by Us.
3. Which has been subjected to misuse, vandalism, abuse, negligence, accident, or unauthorized modifications.
4. Which has been improperly stored (if the Product must be stored, it should be covered and stored in a humidity and temperature-controlled environment, away from direct sunlight).
5. Which has been improperly installed, cleaned, or maintained (for more information regarding the proper use and care of the Product, please consult the applicable Use and Care Instructions that accompanied the Product).
6. Which has been subjected to improper temperature, moisture and/or humidity extremes revised.
7. Damaged by fire, flood, acts of God, or other external causes beyond our control; and/or.
8. Exhibiting normal wear and tear.

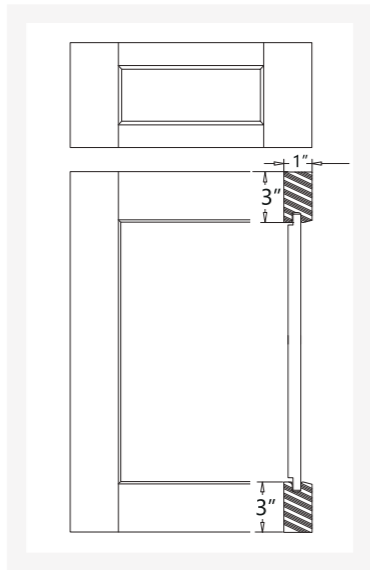
D-SERIES



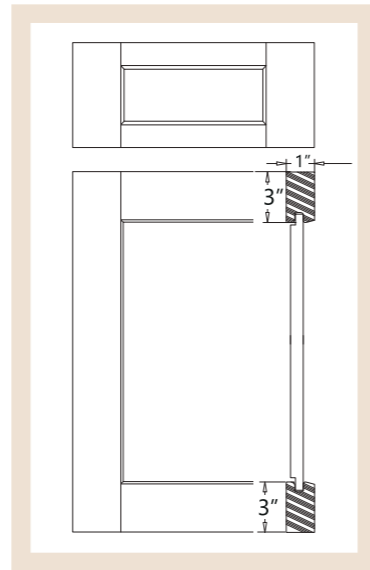
D2 White Shaker



D3 Shallow Green



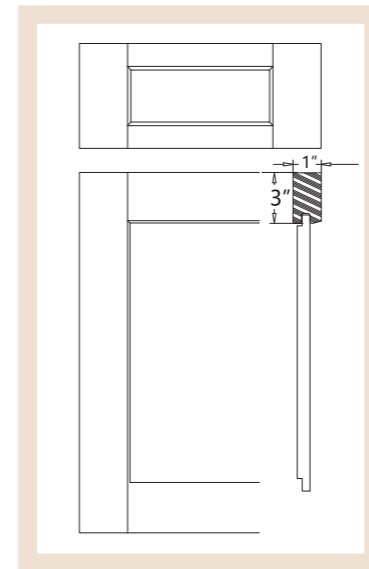
D6 Dove Grey



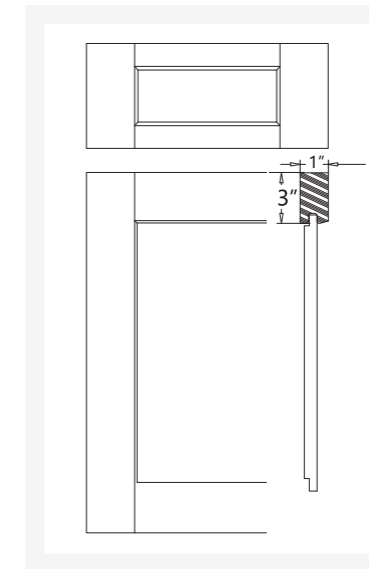
D-SERIES



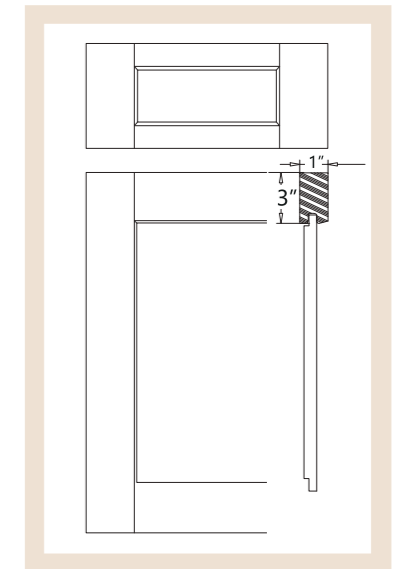
D1 Natural



D4 Naval



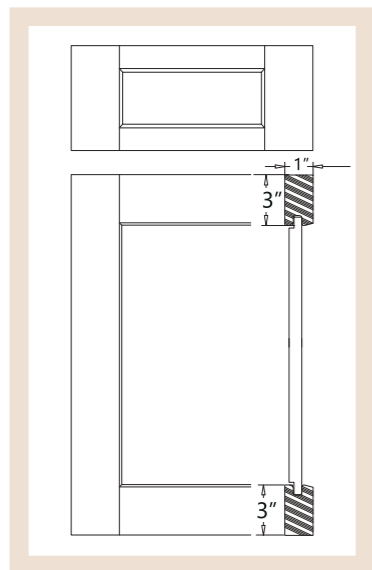
D5 CyberSpace



D-SERIES



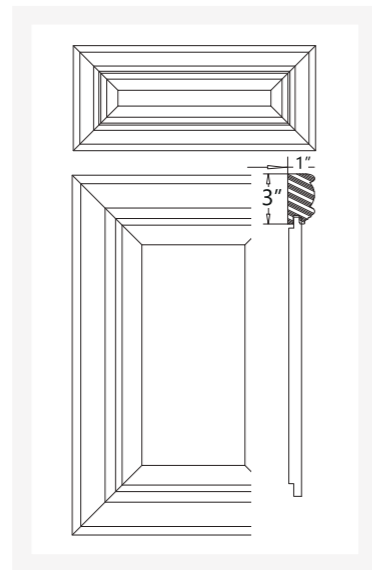
D8 Black Swan



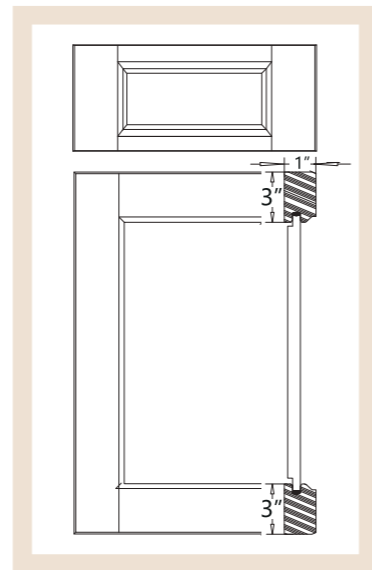
G SERIES



D9 Pearl White



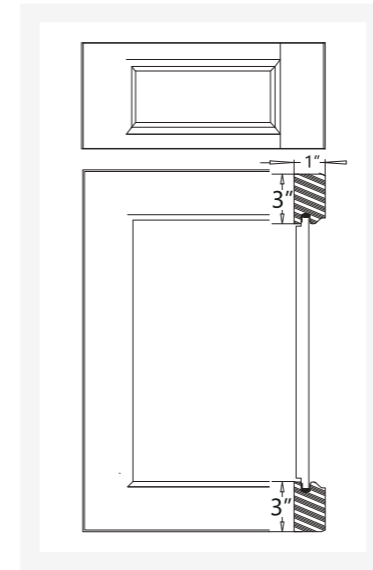
G1 Espresso Shake



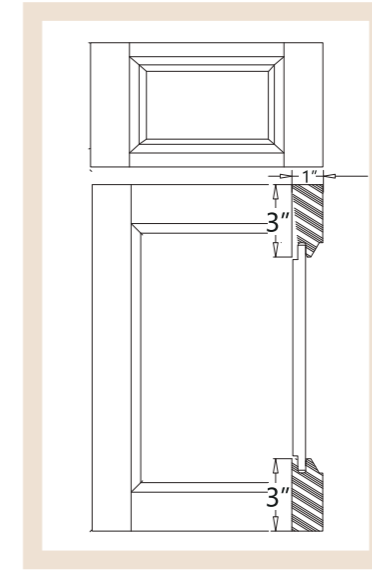
G SERIES



G4 Grey Shaker



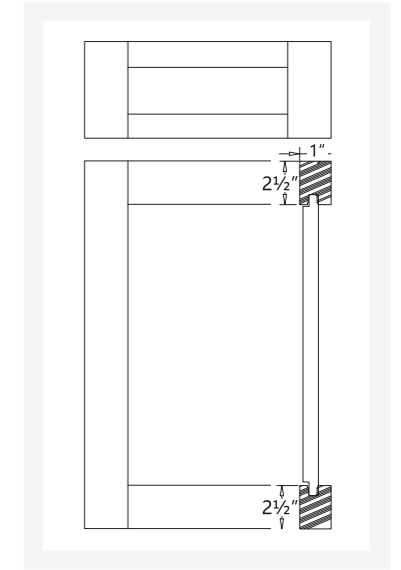
G8 Royal Blue



L-SERIES -ECONOMIC-



L2 Aveley



S SERIES

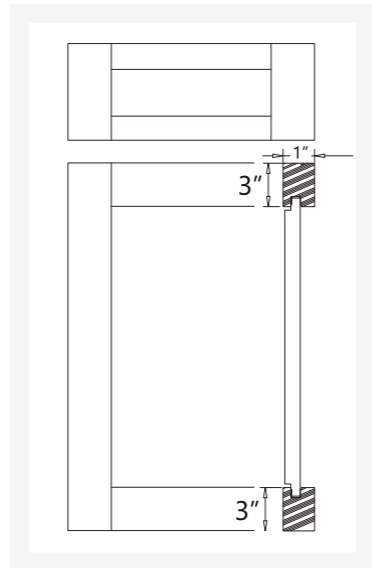
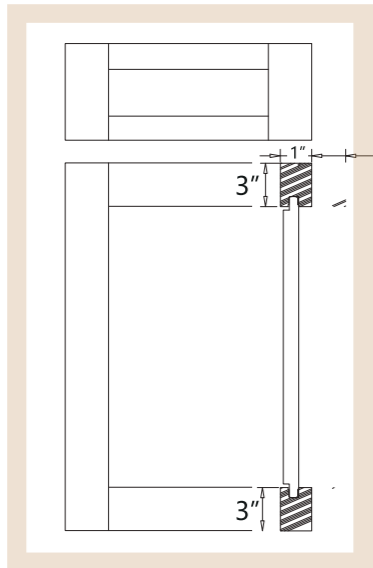
COLLECTION DOOR STYLES



S1 Ash Gaey



S2 Honey Shaker



" The kitchen is the heart of every home, for the most part. It evokes memories of your family history."

- Kasandra A.Ordenez

COLLECTION DOOR STYL

FLOOR



L&C Flooring is composed of Stone Polymer Composite . Is coated with 0.5mm of transparent top layer designed to protect against scratches, stains, fading, and much more. The inner core is composed of compressed plastic and limestone powder making these floor planks hard and rigid for durability. This flooring has a pre-attached 1.5 mm foam under pad that offers moisture protection from the subfloor and sound/noise reduction. Its overall thickness is 6.5 mm and it aligns synchronously for easy installation. Rigid core luxury vinyl flooring can be installed on any level and almost any existing solid subfloor for any amount of traffic making this product a great choice for residential and commercial applications.

PRODUCT INFORMATION

Specifications:48in*7in*6.5mm 0.5mm wear layer 1.5mm foam Acoustic pad
Synchronously align the pattern Chamfer paint



▲
L6811



▲
TM8002



▲
TY1001



▲
TY1003



▲
TY1010



▲
TY1017

LnCcabinetry.com Unparalleled Quality . Unrivaled Convenience . Unbeatable Price

FLOOR



Whether it's a holiday, a party, or a friend in town, we somehow always end up in the kitchen.

- Adolfo Ortega-Martinez

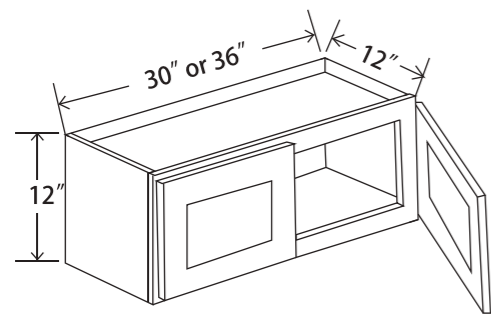


You can still feed big bellies with a small kitchen.
- Bruce Tyson



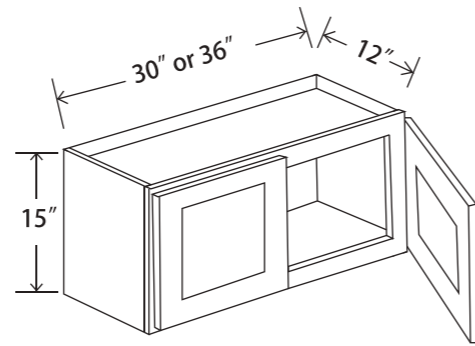
It's Mother's and Father's who first mesmerize us in the kitchen, and it's not until becoming one, do we truly understand it's importance.

-Chris Riggs



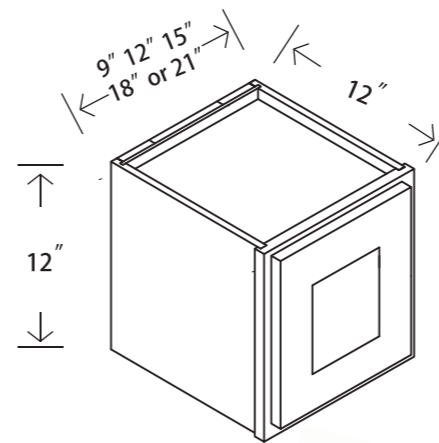
Wall Cabinet Double Doors, 12"H

- W3012 / W3612
- No shelf



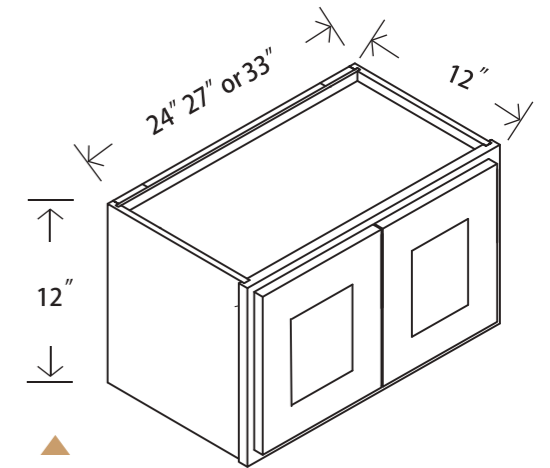
Wall Cabinet Double Doors, 15"H

- W3015 \ W3615
- 15" W or 18" W custom available
- No shelf



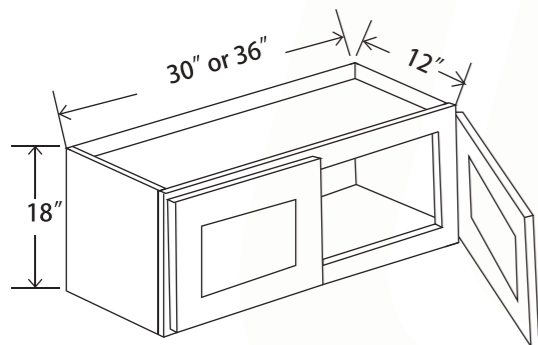
Wall Cabinet Single Doors

- W0912 / W1212 / W1512 / W1812 / W2112
- No shelf



Wall Cabinet Double Doors

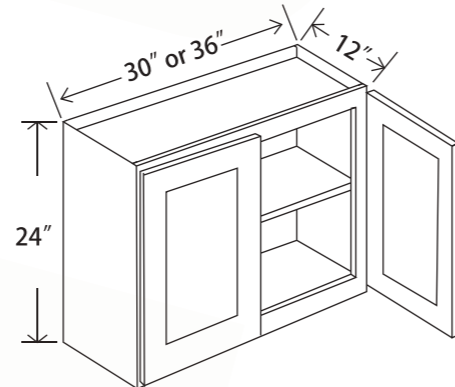
- W2412 / W2712 / W3312
- No shelf



Wall Cabinet Double Doors, 18"H

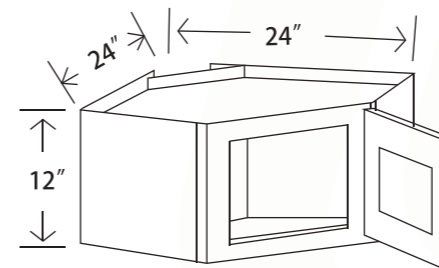
- W3018 / W3618
- 15" W or 18" W custom available
- No shelf

All Size Glass Doors Custom Available



Wall Cabinet Double Doors, 24"H

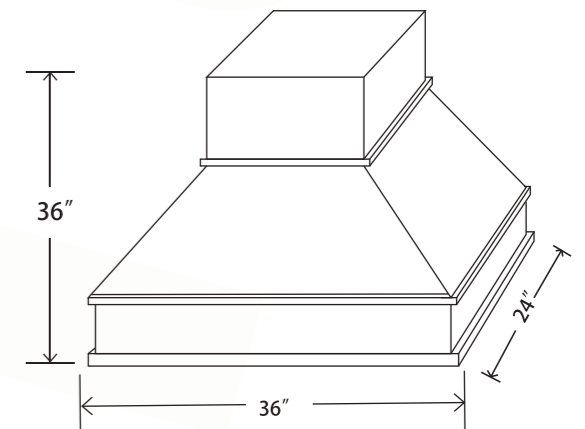
- W3024 / W3624
- 15" W or 18" W custom available
- One adjustable shelf



Diagonal Corner Wall Single Door

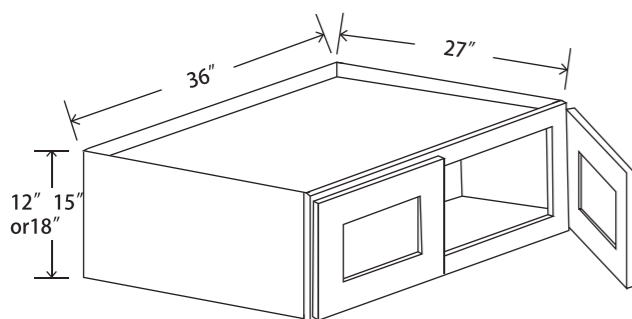
- WDC241212
- 12" H custom available
- No shelf

All Size Glass Doors Custom Available



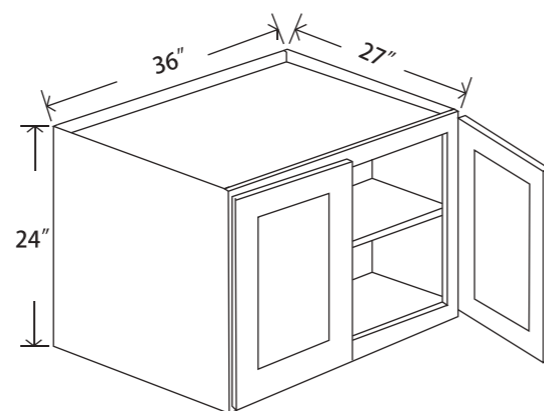
Range Hood Cover

- RH36
- Insert opening 33"W x 22"D



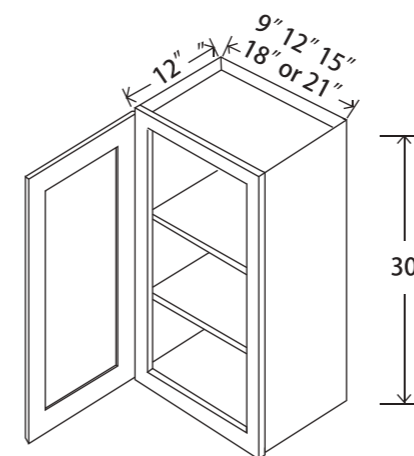
Refrigerator Wall Cabinet Double Doors

- W361227 / W361527 / W361827
- No shelf



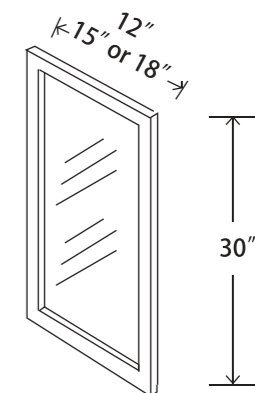
Refrigerator Wall Cabinet Double Doors, 24"H

- W362427
- One adjustable shelf



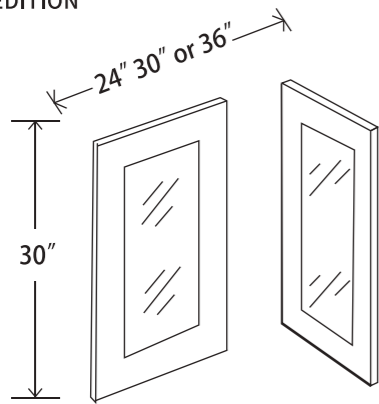
Wall Cabinet Single Door, 30"H

- W0930 / W1230 / W1530 / W1830 / W2130
- Two adjustable shelves



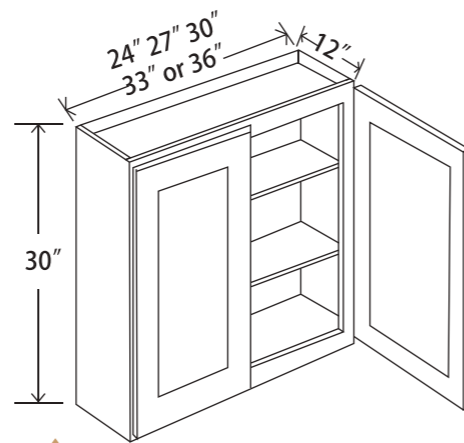
Wall Cabinet Single Glass Door, 30"H

- WG1230 / WG1530 / WG1830



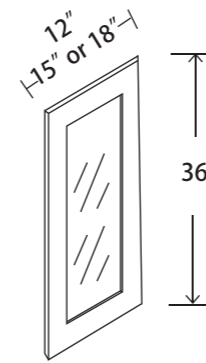
▲ **Wall Cabinet Double Glass Doors, 30" H**

- WG2430 / WG3030 / WG3630



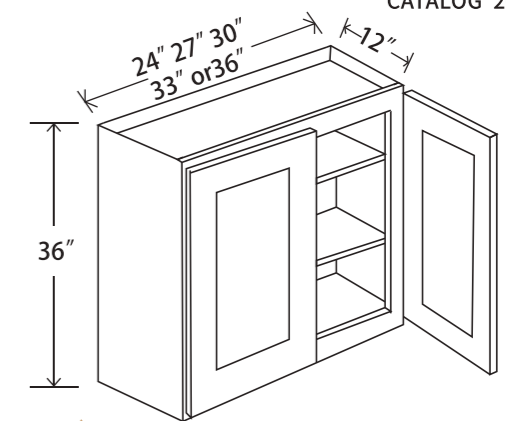
▲ **Wall Cabinet Double Doors, 30" H**

- W2430 / W2730 / W3030 / W3330 / W3630
- Two adjustable shelves



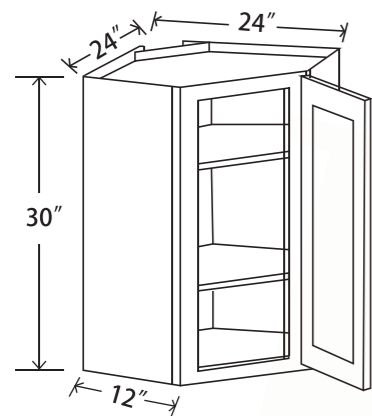
▲ **Wall Cabinet Single Glass Door, 36" H**

- WG1236 / WG1536 / WG1836



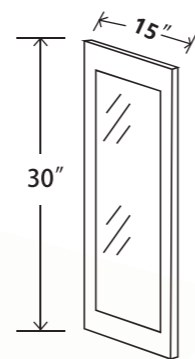
▲ **Wall Cabinet Double Doors, 36" H**

- W2436 / W2736 / W3036 / W3336 / W3636
- Two adjustable shelves



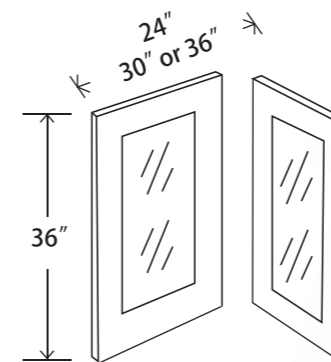
▲ **Diagonal Corner Wall Single Door 30" H**

- WDC243012
- Two adjustable shelves



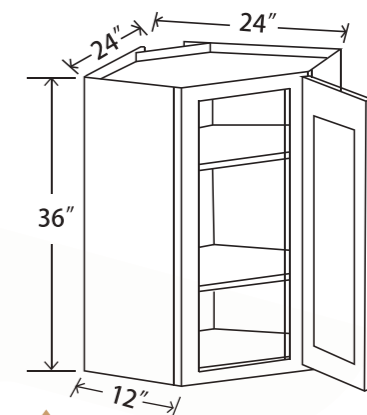
▲ **Diagonal Corner Wall Single Glass Door 30" H**

- WDCG243012



▲ **Wall Cabinet Double Glass Doors, 36" H**

- WG2436 / WG3036 / WG3636

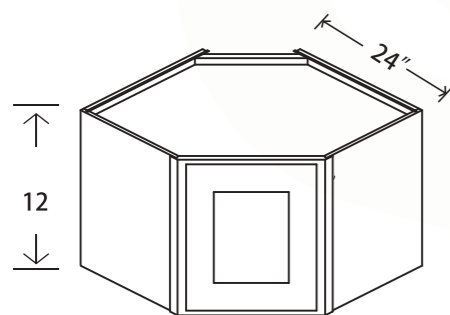


▲ **Diagonal Corner Wall Single Door 36" H**

- WDC243612
- Two adjustable shelves

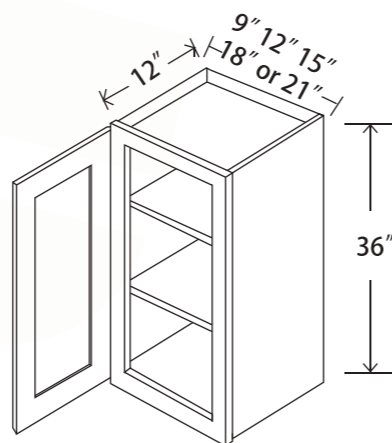
All Size Glass Doors Custom Available

All Size Glass Doors Custom Available



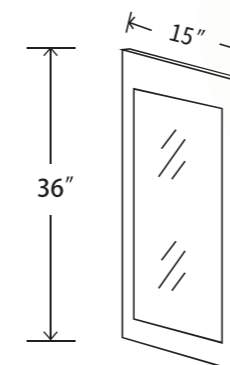
▲ **Diagonal Corner Wall Single Door 12" H**

- WDC2412
- Two adjustable shelves



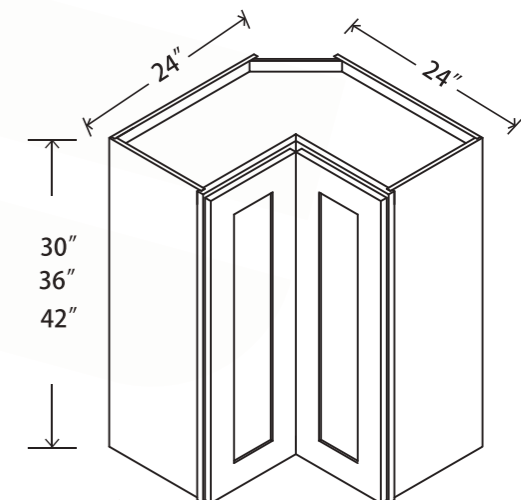
▲ **Wall Cabinet Single Door, 36" H**

- W0936 / W1236 / W1536 / W1836 / W2136
- Two adjustable shelves



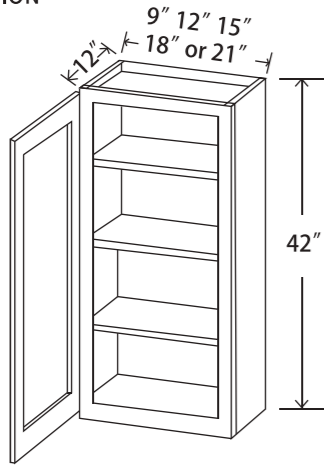
▲ **Diagonal Corner Wall Single Glass Door 36" H**

- WDCG243612



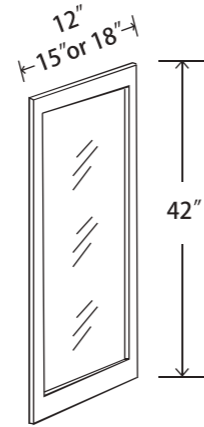
▲ **Diagonal Corner Wall Single Door**

- WLC2412



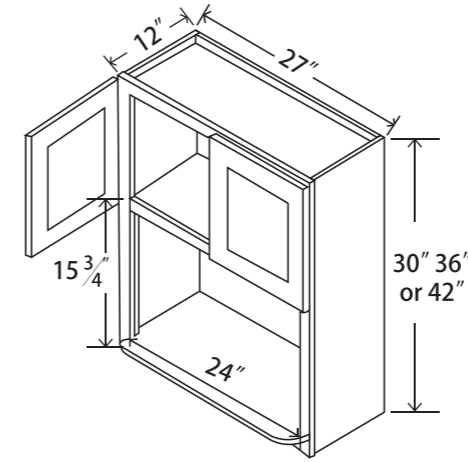
Wall Cabinet Single Door, 42" H

- W0942 / W1242 / W1542 / W1842 / W2142
- Three adjustable shelves



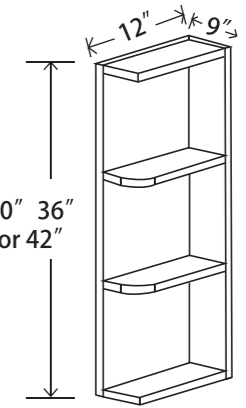
Wall Cabinet Single Glass Door, 42" H

- WG1242 / WG1542 / WG1842



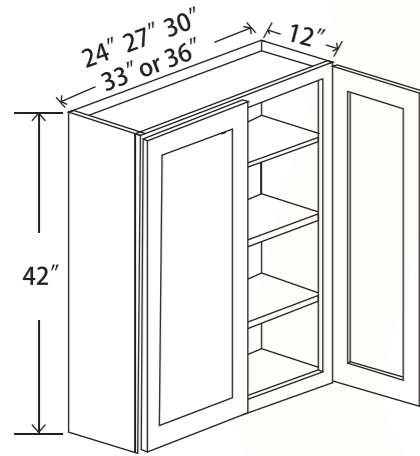
Microwave Wall Cabinet

- WMC2730 / WMC2736 / WMC2742



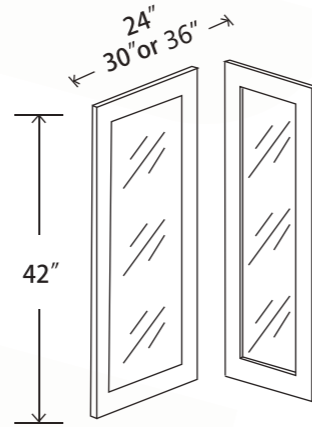
Open End Shelf

- WEOS0930 / WEOS0936 / WEOS0942
- Matching color interior



Wall Cabinet Double Doors, 42" H

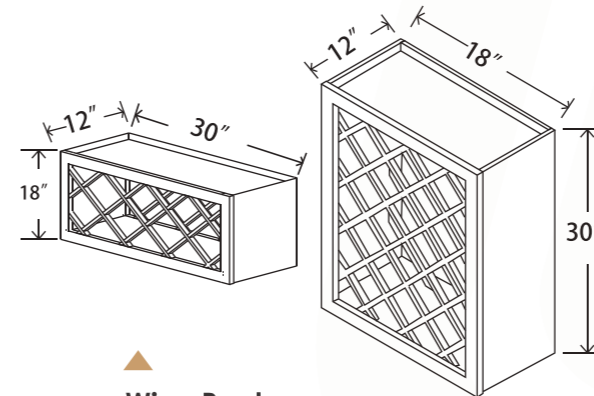
- W2442 / W2742 / W3042 / W3342 / W3642
- Three adjustable shelves



Wall Cabinet Double Glass Doors, 42" H

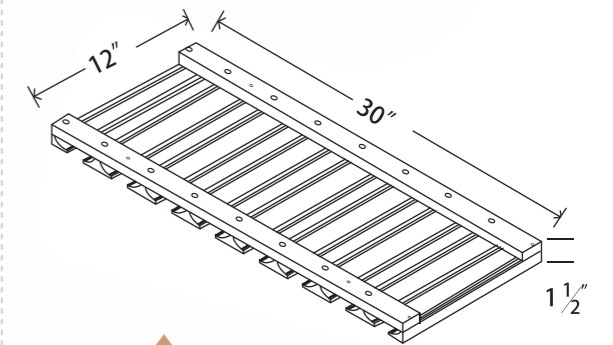
- WG2442 / WG3042 / WG3642

All Size Glass Doors Custom Available



Wine Rack

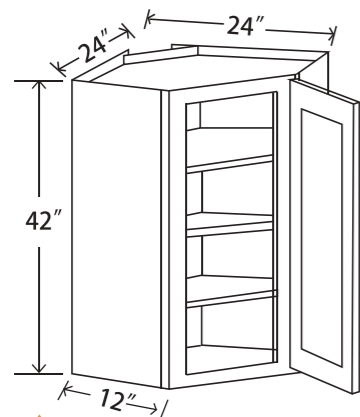
- WRC3018



Glass Holder

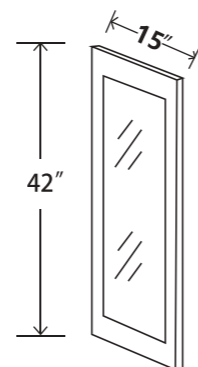
- GH30

All Size Glass Doors Custom Available



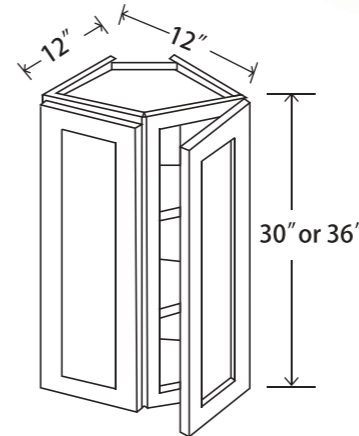
Diagonal Corner Wall Single Door 42" H

- WDC244212
- Three adjustable shelves



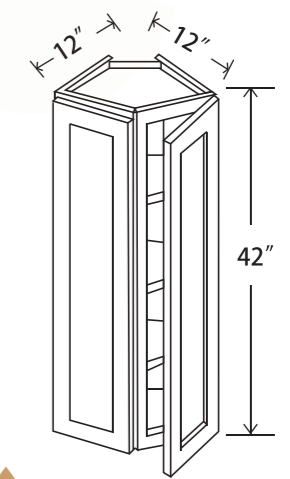
Diagonal Corner Wall Glass Door 42" H

- WDCG244212



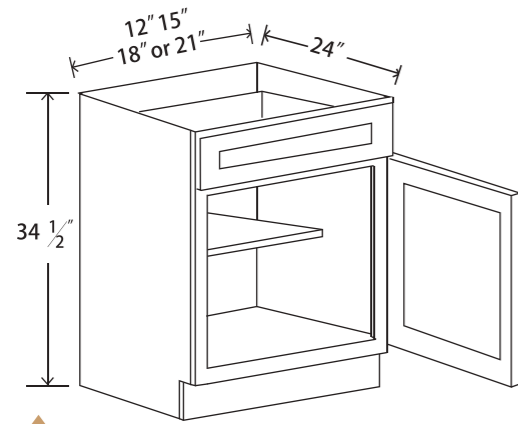
Wall End Corner Cabinet 30" or 36" H - 2 Doors, 2 shelves

- WEC1230 / WEC1236
- Two adjustable shelves



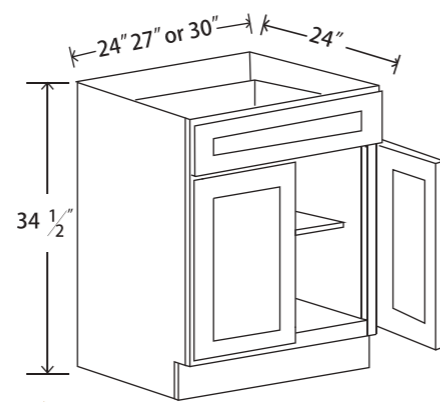
Wall End Corner Cabinet 42" H - 2 Doors, 3 shelves

- WEC1242
- Three adjustable shelves



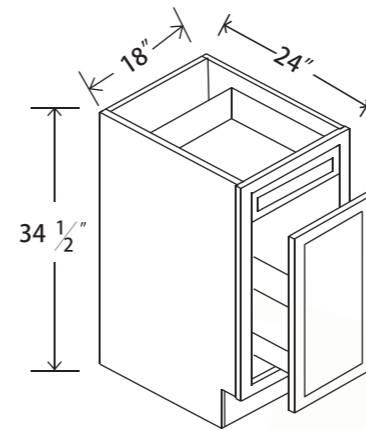
Base Cabinet Single Door, 34 1/2" H

- B09 / B12 / B15 / B18 / B21
- One drawer
- One adjustable shelf



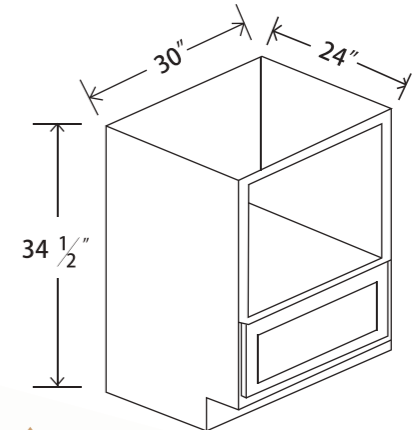
Base Cabinet Double Doors

- B24 / B27 / B30
- One drawer
- One adjustable shelf



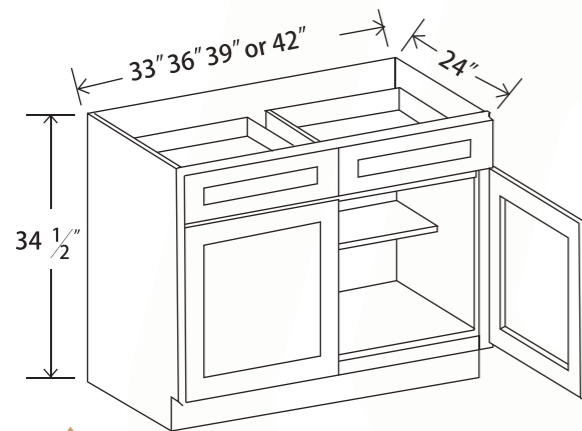
Wastebasket Cabinet-1 Drawer, 1 Tall Wastebasket Drawer

- BWBKT18
- Trash bins not included



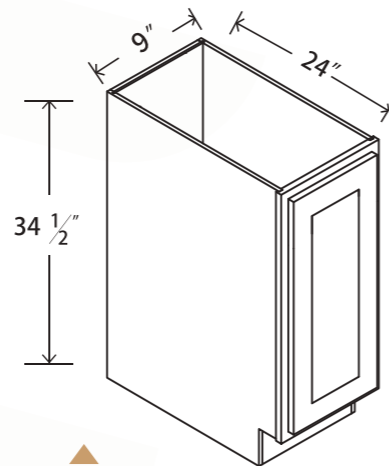
Base Microwave Cabinet - 1 Drawer

- BMC30
- Insert opening 27"W x 16 1/4" H



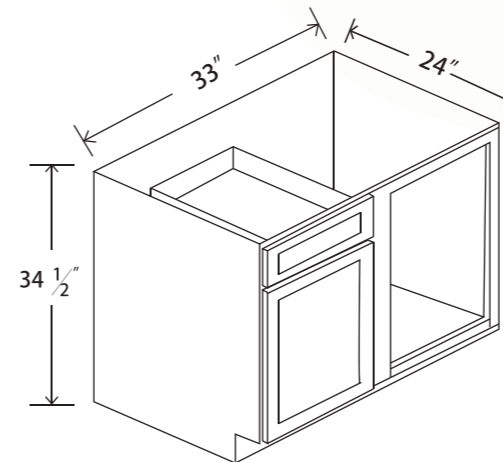
Base Cabinet Double Doors

- B33 / B36 / B39 / B42
- Two drawers
- One adjustable shelf



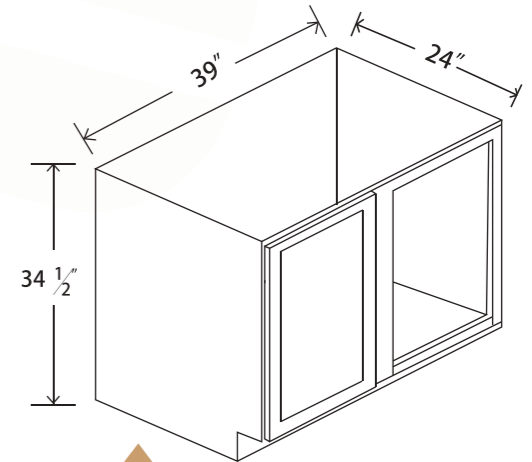
Base Cabinet Double Doors

- FHD09



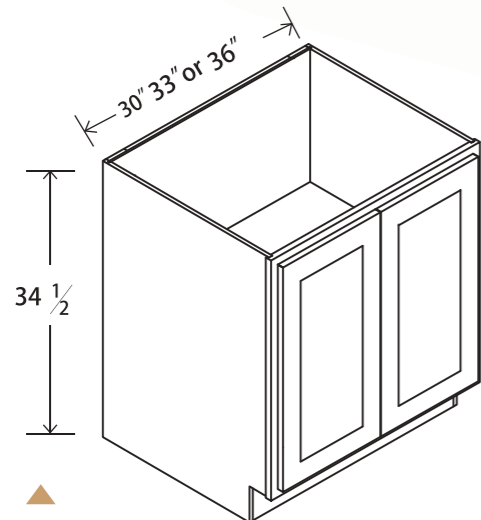
33" Blind Corner Cabinet-1 Door, 1 Drawer, 1 Shelf

- BBC33-9
- Must have 42" of space to install LEFT OR RIGHT



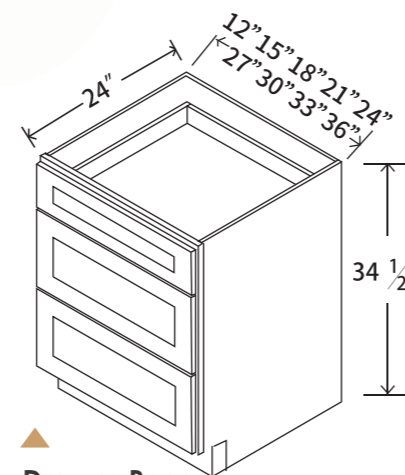
39" Blind Corner Cabinet (Door Left Or Right) - 1 Full Height Door

- BBC39FHD-9
- Must have 48" of space to install LEFT OR RIGHT



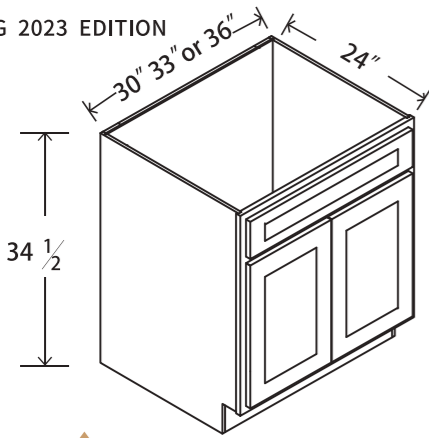
Base Cabinet Double Doors

- FHD30 / FHD33 / FHD36



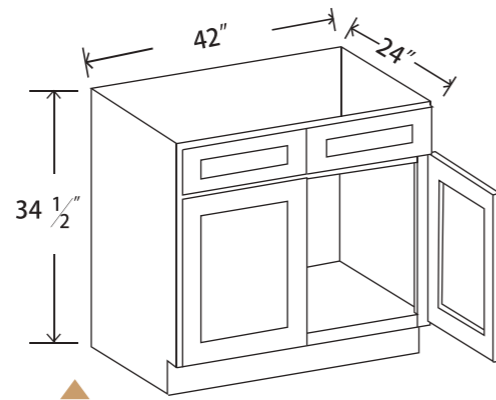
Drawer Base

- DB12 / DB15 / DB18 / DB21 / DB24 / DB27 / DB30 / DB33 / DB36
- Three drawers



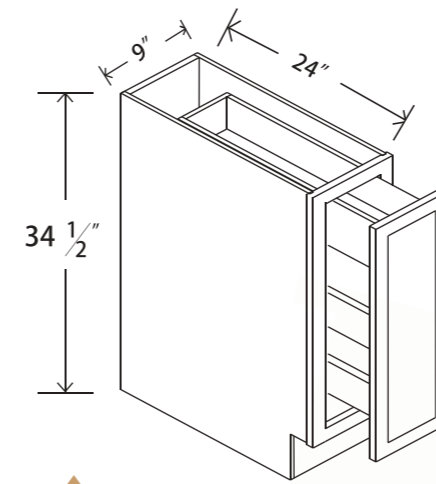
Sink Base

- SB30 / SB33 / SB36
- One dummy drawer



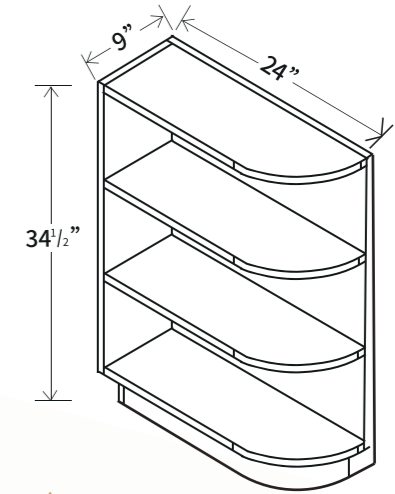
Sink Base

- SB42
- Size 39" custom available
- Two dummy drawer



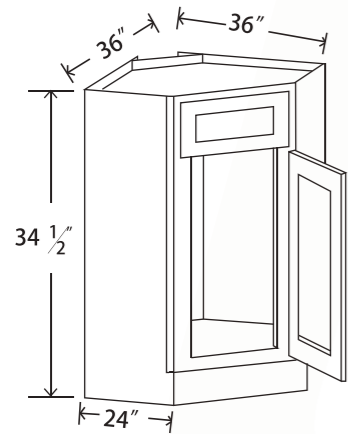
Spice Rack Cabinet -1 Full Height Door Pull-Out Spice Rack

- SP09



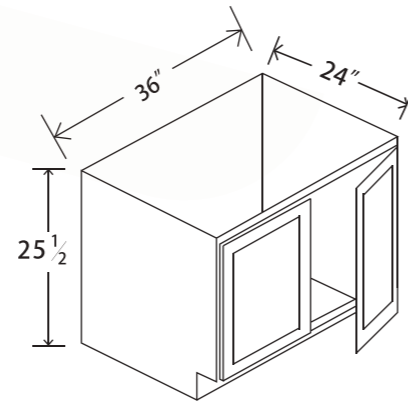
Base End Shelf

- BES09
- LEFT OR RIGHT



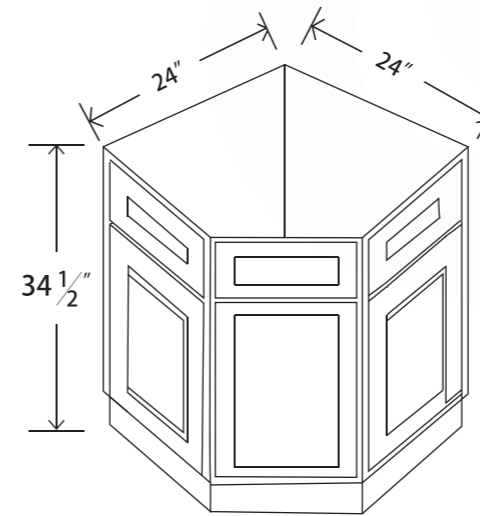
Corner Sink Base Cabinet

- SBA36
- One dummy drawer



Farmhouse Sink Base Cabinet - 2 Doors

- FSB36



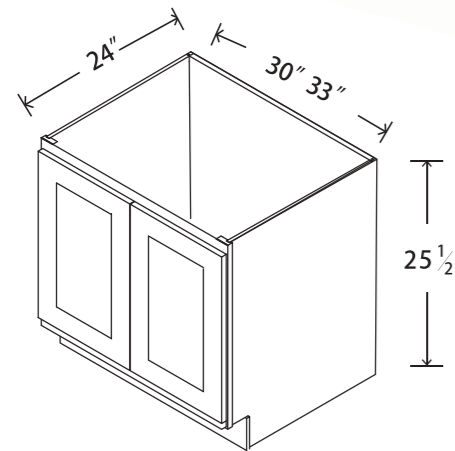
Base End Cabinet - 2 Doors, 1 False Door, 3 Fales Drawers, 1 Shelf

- BEC24



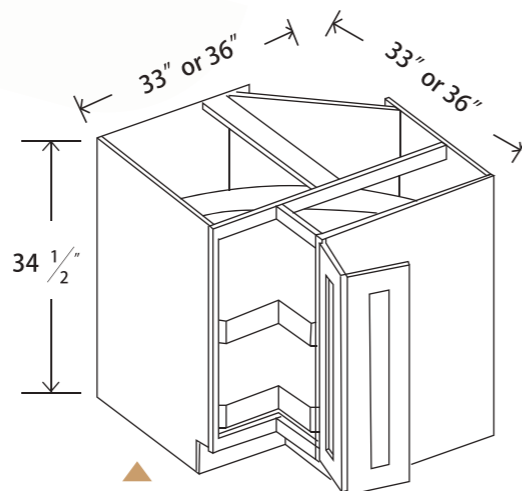
Double Oven Cabinet - 2 Doors, 1 Drawer

- OVD338427 / OVD339027 / OVD339627
- Insert opening 48 1/2 "H x 30"W



Farmhouse Sink Base Cabinet - 2 Doors

- FSB30 / FSB33



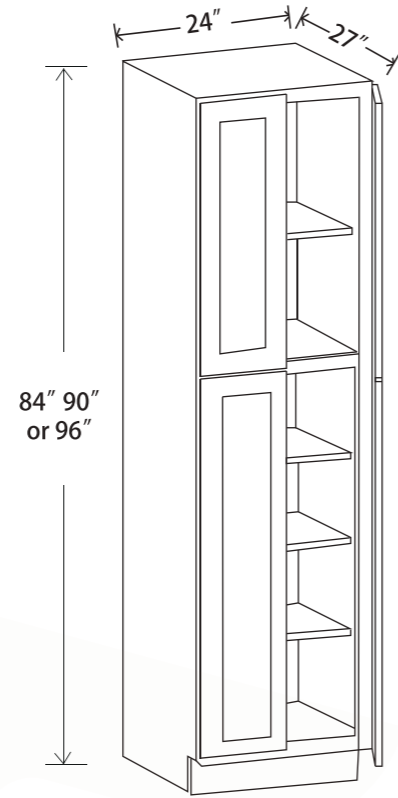
Lazy Susan Cabinet

- LZS33 / LZS36
- Two wooden trays



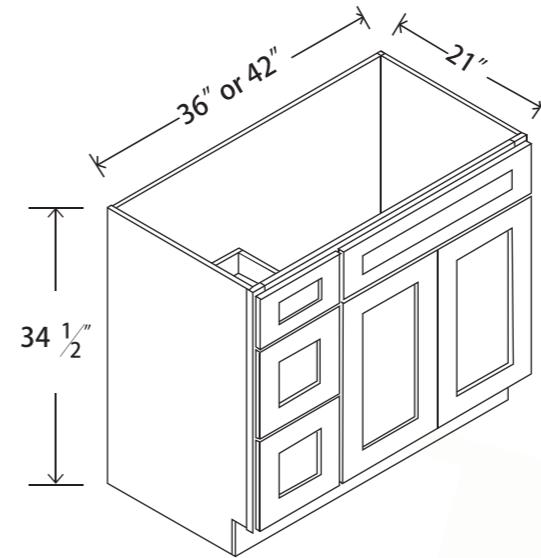
Utility Pantry

- WP188427 / WP189027 / WP189627
- One adjustable top shelves
- Note: 84" H Two bottom shelves
90" H or 96" H Three bottom shelves
- Note:
Roll Out Tray
kits available for utility cabinets
See page 41"



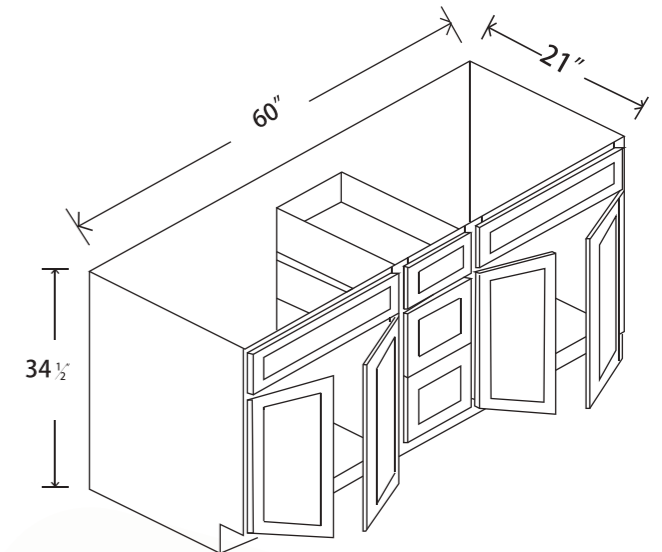
Utility Pantry

- WP248427 / WP249027 / WP249627
- One adjustable top shelves
- Note: 84" H Two bottom shelves
90" H or 96" H Three bottom shelves
- Note:
Roll Out Tray
kits available for utility cabinets
See page 41"



Vanity Combo

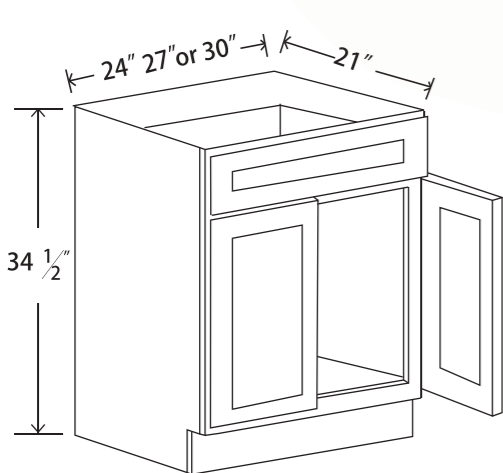
- VAN36DL / VAN42DL



Vanity Sink Base Cabinet- 4 Doors, 1 Drawer, 2 Deep Drawers

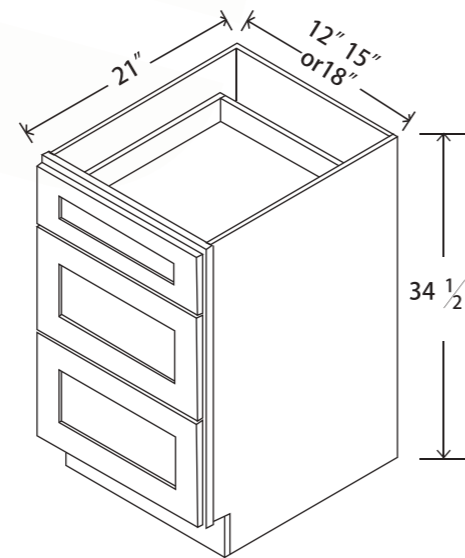
- VAN60DD-3

VAN36DL or 42" combo with 2 DRAWERS on LEFT OR RIGHT
VAN36DR or 42" combo with 2 DRAWERS on LEFT OR RIGHT



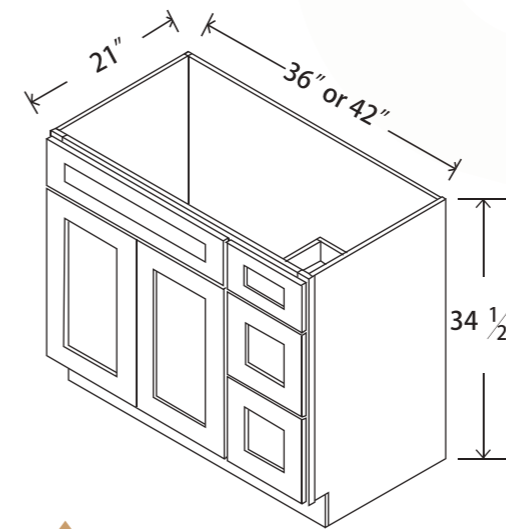
Vanity Sink Base

- VAN24 / VAN27 / VAN30
- 1 Dummy drawer



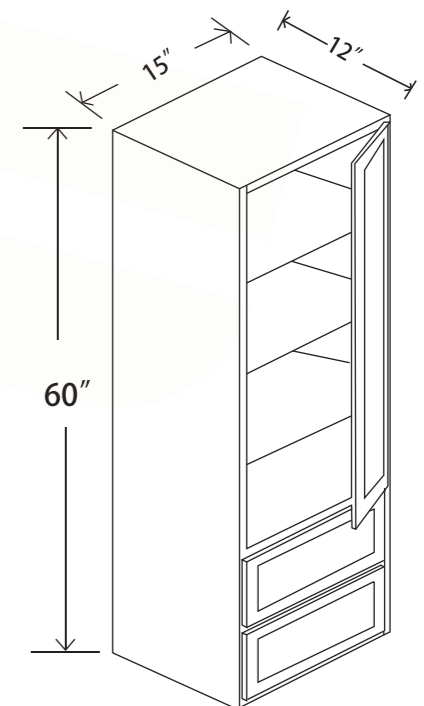
Vanity Drawer Base Cabinet

- VDB12 / VDB15 / VDB18



Vanity Combo

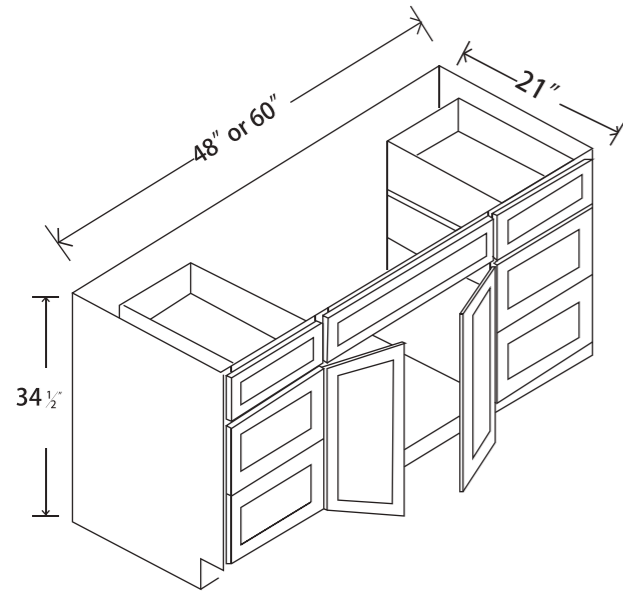
- VAN36DR / VAN42DR



Tall Counter Linen Cabinet -1 Door, 2 Drawers, 3 Shelves

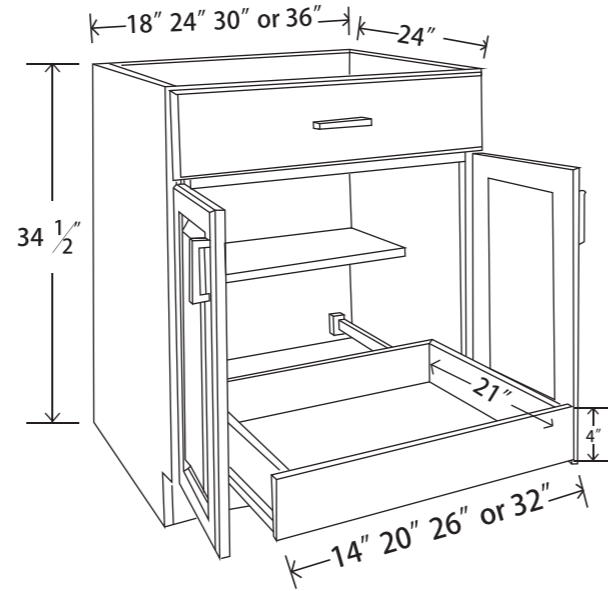
- CL156012

ROLL OUT TRAY



Vanity Sink Base Cabinet- 2 Doors, 2 Drawers, 4 Deep Drawers

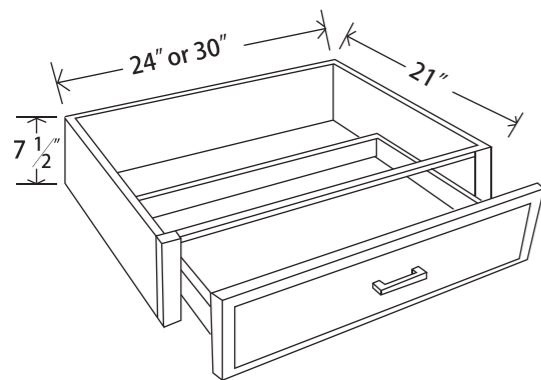
- VAN48D-6 / VAN60D-6



Pullout Tray

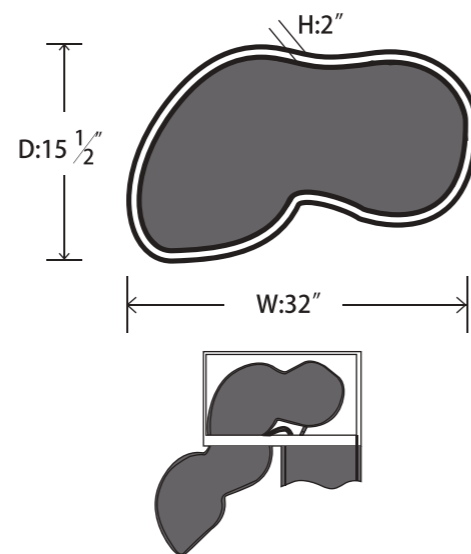
- PULOUT TRAY 18" / PULOUT TRAY 24"
- PULOUT TRAY 30" / PULOUT TRAY 36"

© COPY RIGHT OF L&C CABINETRY



Knee Drawer

- DSK24 / DSK30



Blind Base Corner Roll Out Shelf

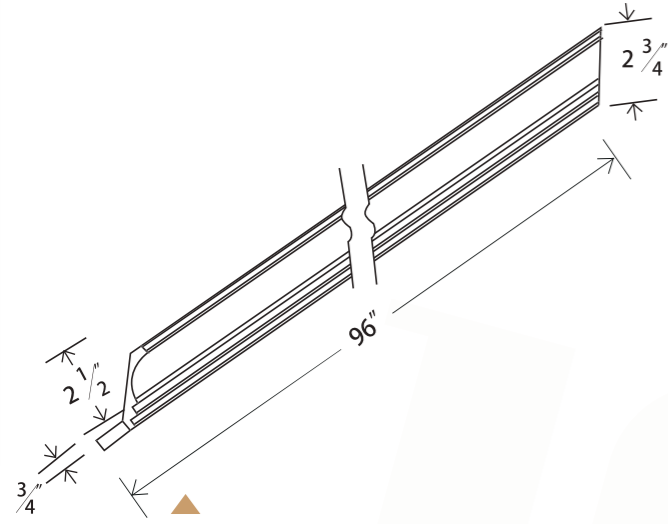
- BBC39FHD-9LO / BBC39FHD-9RO
- LEFT OR RIGHT



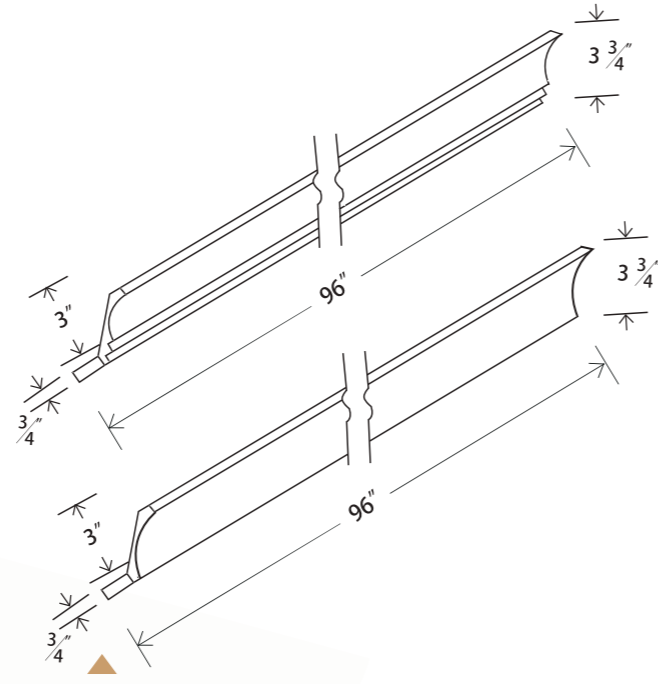
YOUR DREAM IS OUR MISSION

Whether it's a holiday part, or a friend in town, we somehow always end up in the kitchen.

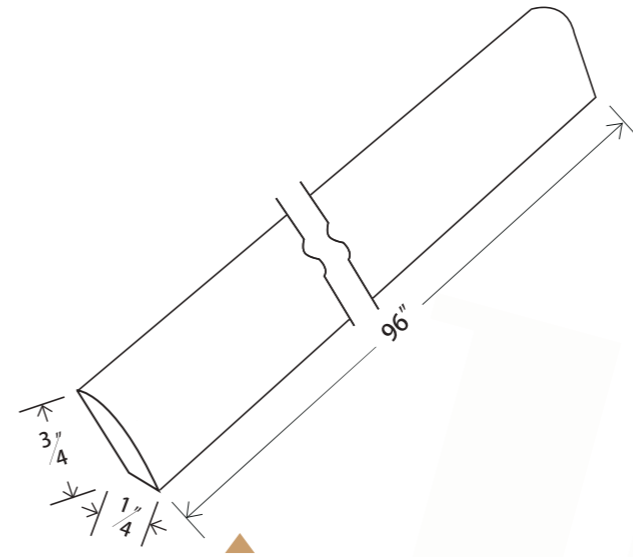
- Brittini Ellison



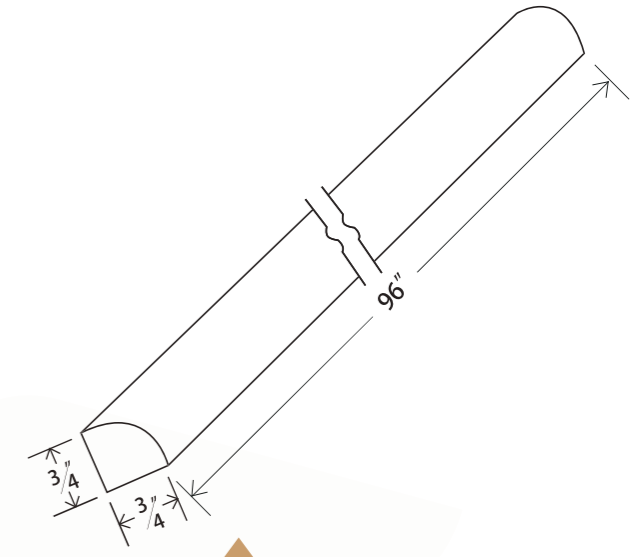
Crown Molding
• ACM 2.5



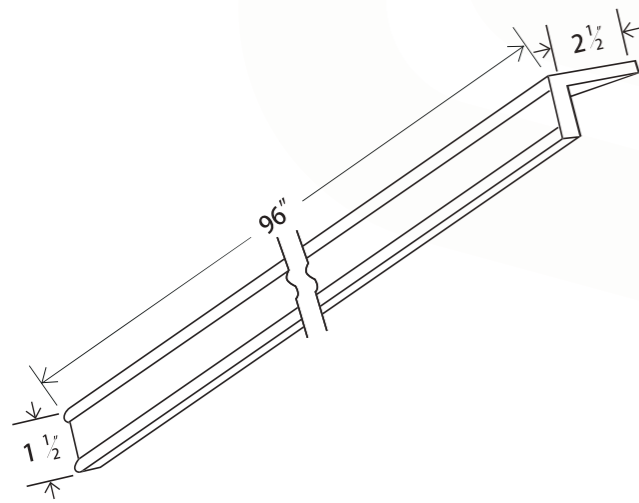
Crown Molding
• CCM8 / COVE MOLDING



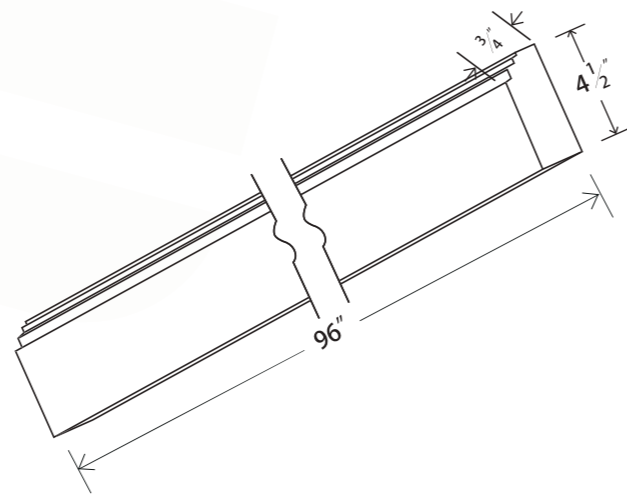
Scribe Molding
• SCRIBE MOLDING



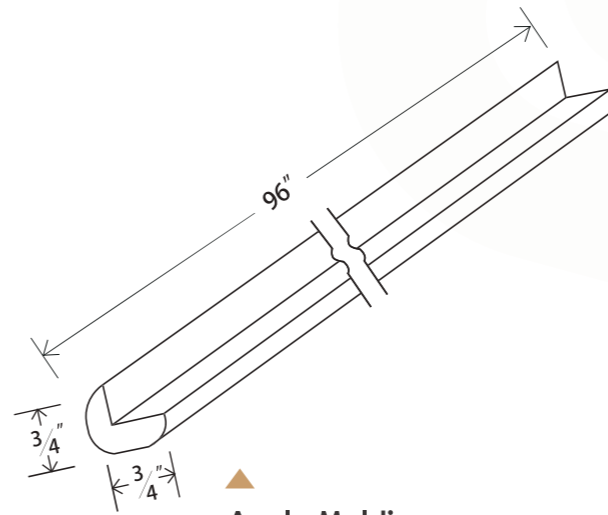
Shoe Molding
• SHOE MOLDING



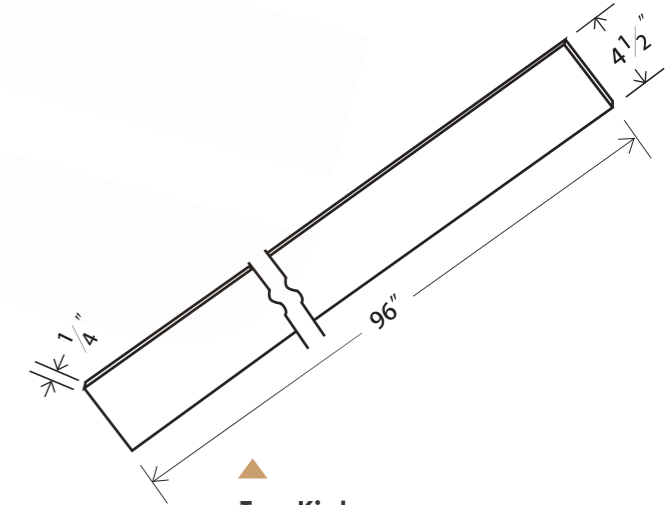
Light Rail Molding
• TLR8



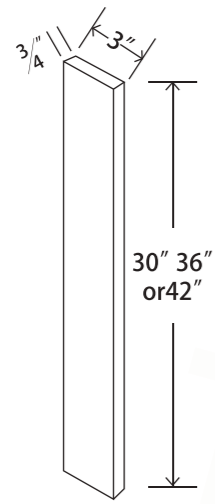
Base Molding
• BASE MOLDING



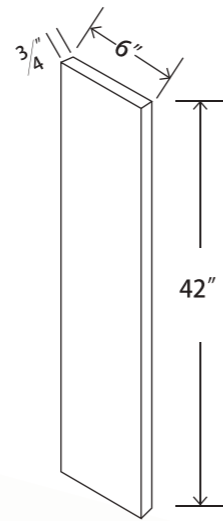
Angle Molding
• ANGLE MOLDING



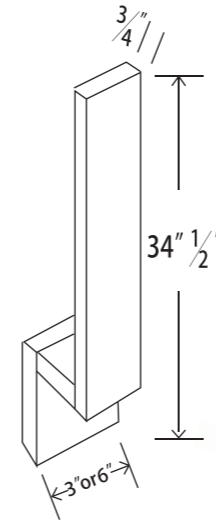
Toe Kick
• TK8



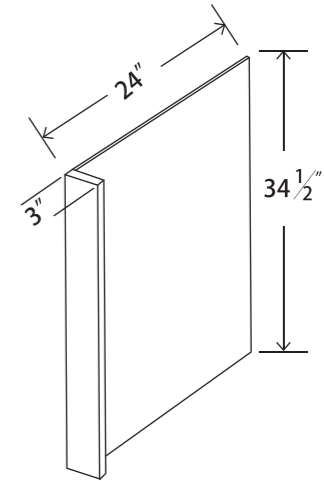
Wall Filler
 • WF3*30 / WF3*36 / WF3*42



Wall Filler
 • WF6*42



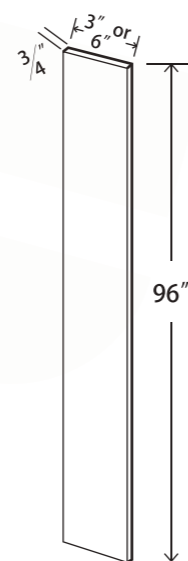
Base Filler
 • BF3 / BF6



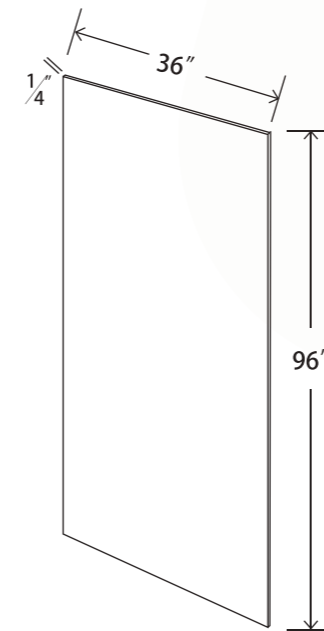
Dishwasher Panel
 • DWP3



Tall Fluted Fille
 • FFWF3*96



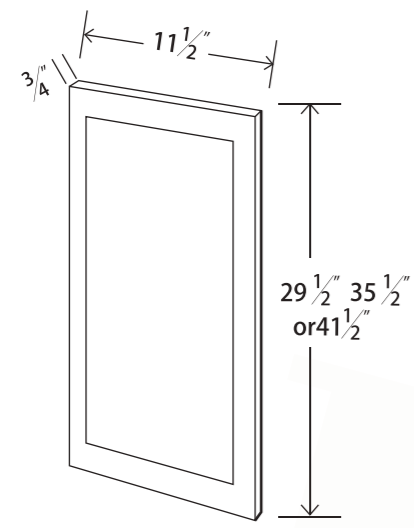
Tall Filler
 • F3*96 / F6*96



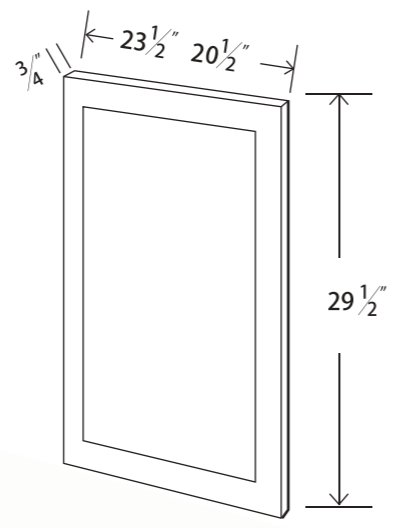
Skin Panel
 • PANEL 36" *96"



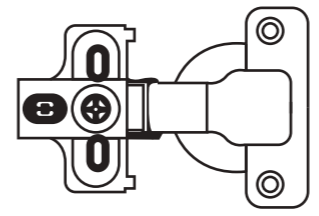
Refrigerator Panel
 • RRP27(1.5") / RRP27 (3")
 • 1 1/2" OR 3"



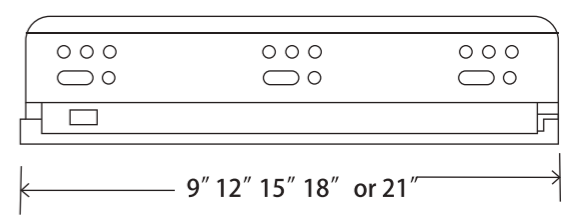
▲ **Wall Decorative Door Panel**
 —
 • WDD30 / WDD36 / WDD42



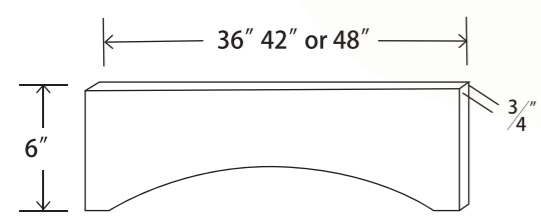
▲ **Base Decorative Door Panel**
 —
 • BDD24 / BDD21



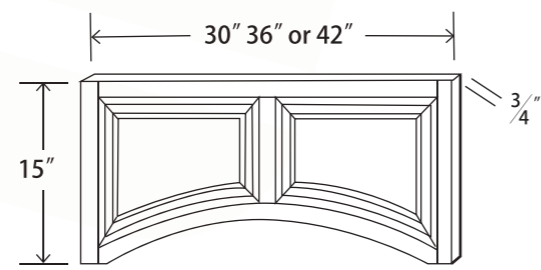
▲ **Hinge**
 —
 • SOFT-CLOSE
 • Adjustable



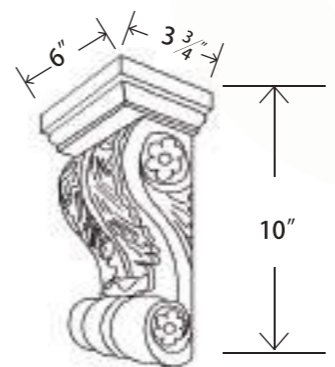
▲ **Drawer Slides**
 —
 • SOFT-CLOSE
 • Heavy Duty · Adjustable



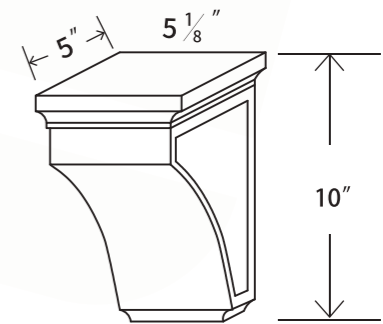
▲ **Valance**
 —
 • VAL36 / VAL42 / VAL48



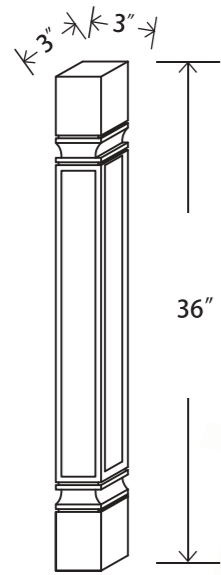
▲ **Decorative Valance**
 —
 • RPV30 / RPV36 / RPV42



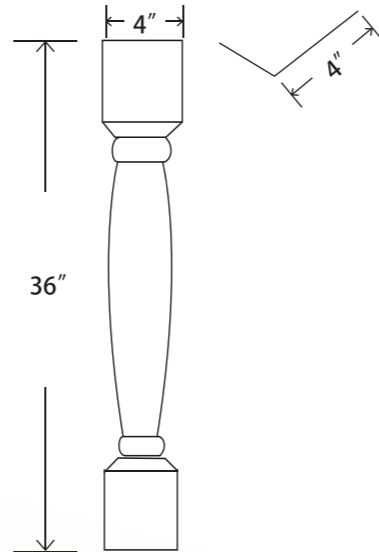
▲ **Decorative Corbel**
 —
 • CORBEL6"



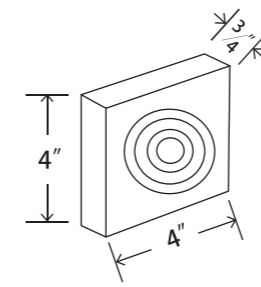
▲ **Corbel**
 —
 • CORBEL5 1/8"



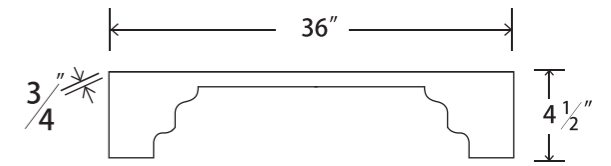
▲ **Decorative Corbel**
—
• DLS3*3*36"



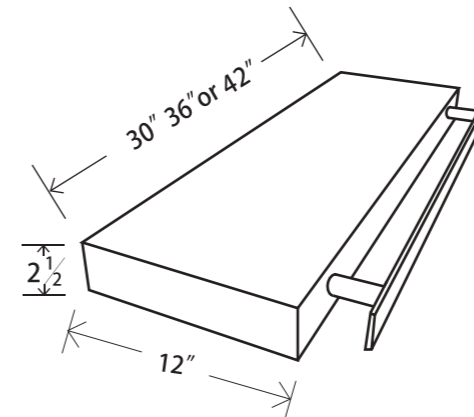
▲ **Decorative Corbel**
—
• DLS4*4*36"



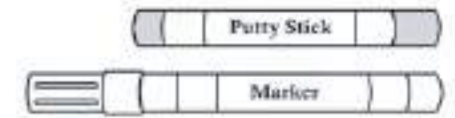
▲ **Rosette Block**
—
• ROSETTE 3*3



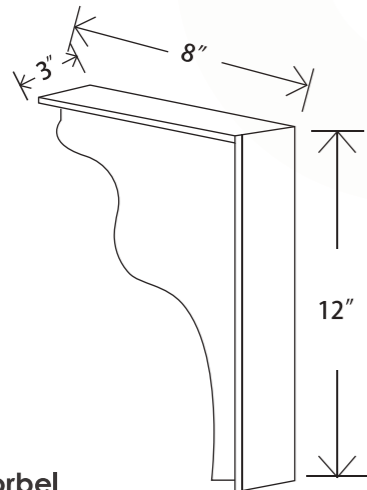
▲ **Furniture Base**
—
• FURNITURE BASE



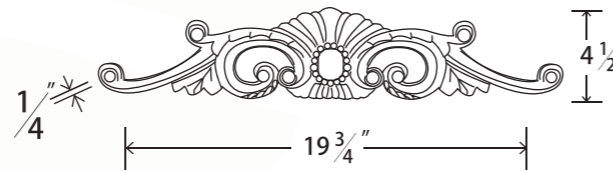
▲ **Floating shelves**
—
• Floating shelves 30
• Floating shelves 36
• Floating shelves 42



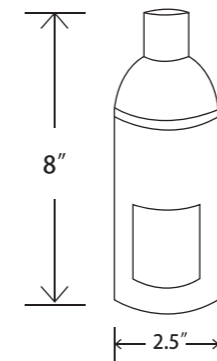
▲ **Touch Up Kit**
—
• 1-Putty stick / 1-Marker /
• 1-Plastic Razor Blade



▲ **Corbel**
—
• CORBEL 8x12"



▲ **Onlay Applique**
—
• ONLAY APPLIQUE



▲ **Spray Paint**
—



SERVICE



YOUR DREAM IS OUR MISSION

-PRODUCT-

-SERVICE-

- Wholesale
- All Wood
- Plywood Boxes
- Solid Wood Frames
- Soft-close
- Dovetail Joint
- In Stock · Best Price
- Great Quality

- Free Estimate
- 20/20 Design
- Assembly
- Modification
- Delivery
- Shipping
- Multi-projects
- Delivery

FLOOR

Freight

-NO JOB IS TOO BIG OR TOO SMALL-

At L&C Cabinetry we never take shortcuts on quality. We take pride on every cabinet that is built. Each cabinet is constructed with solid hardwood door frames, dovetail drawer boxes, 1/2" plywood boxes, soft-close hinges and drawer glides. Satisfaction is guaranteed.

- Lylu A.Sandoval Mata

Before You Start

- ✦ Record all measurements in inches (do not round)
- ✦ Make sure that all recorded measurements are clearly legible
- ✦ Assign one person to determine and record all measurements

Record Ceiling Heights & Wall Lengths

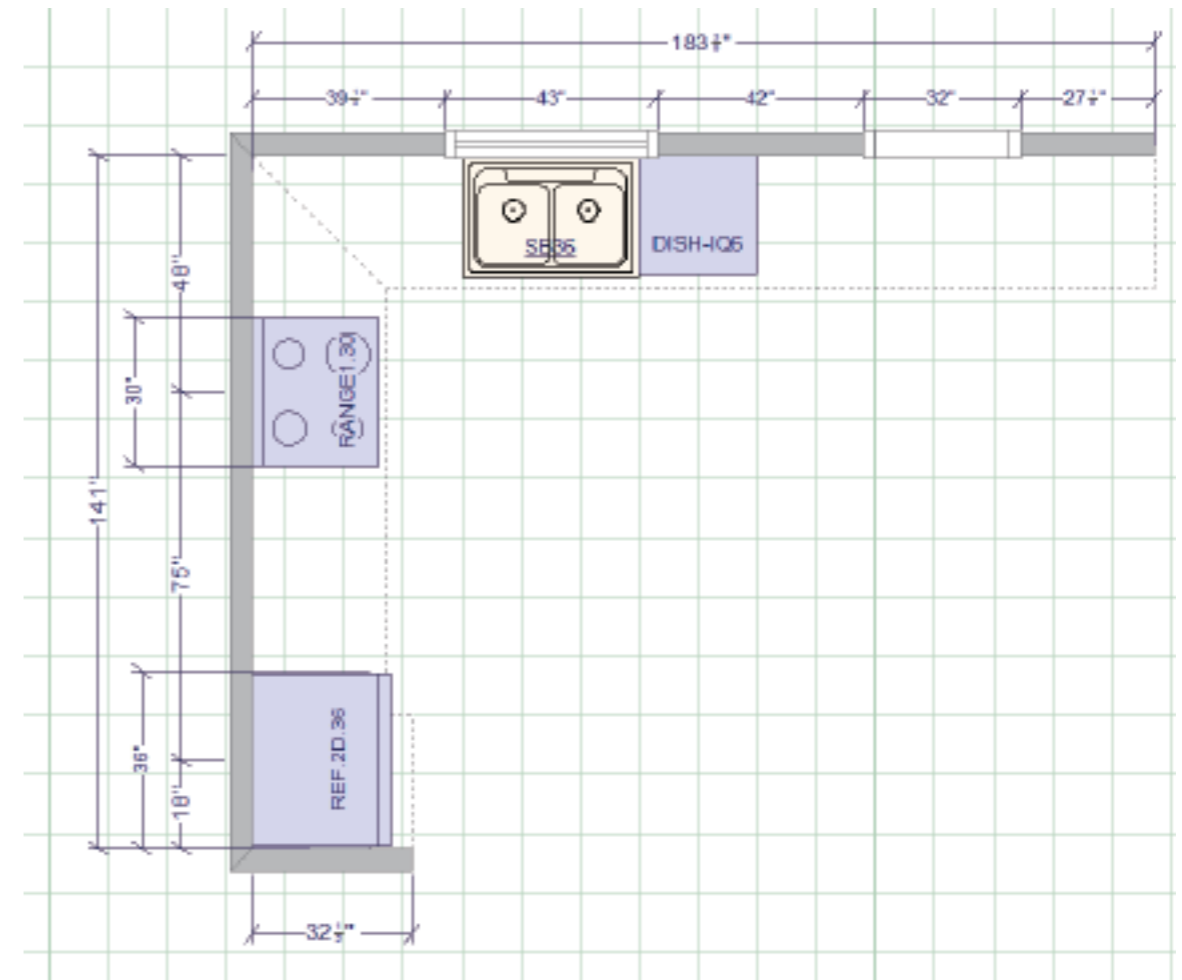
- ✦ Draw an outline of the room
- ✦ Record the ceiling height on your outline
 - ✦ Measuring from the floor to the ceiling or base of the soffit
- ✦ Record the wall lengths on your outline
 - ✦ Start in one corner of your project area and measure to an adjacent wall
 - ✦ Continue around the room until all necessary walls have been measured

Measure Windows

- ✦ Include all window trims as part of the measurements for windows
- ✦ Measure and record each window's width, height, and the distance from the window to the floor on the outline
- ✦ Add window locations to your outline
 - ✦ Start at the corner of any wall that contains a window and measure to the outside trim or edge of the window
 - ✦ Continue around the room until all necessary windows have been added to your layout

Measure Appliances

- ✦ Measure or research and record the width, height, and depth of your sink and all appliances
- ✦ Add the sink location to your outline
 - ✦ Start at the corner of the sink wall and measure to the center of your sink
- ✦ Add the appliance locations to your outline
 - ✦ Notate the location of your dishwasher in relation to your sink (left or right) if applicable
 - ✦ Start at the corner of the range wall and measure to the edge of your range
 - ✦ Start at the corner of the refrigerator wall and measure to the edge of your refrigerator



Record all measurements in inches (do not round) on next page.

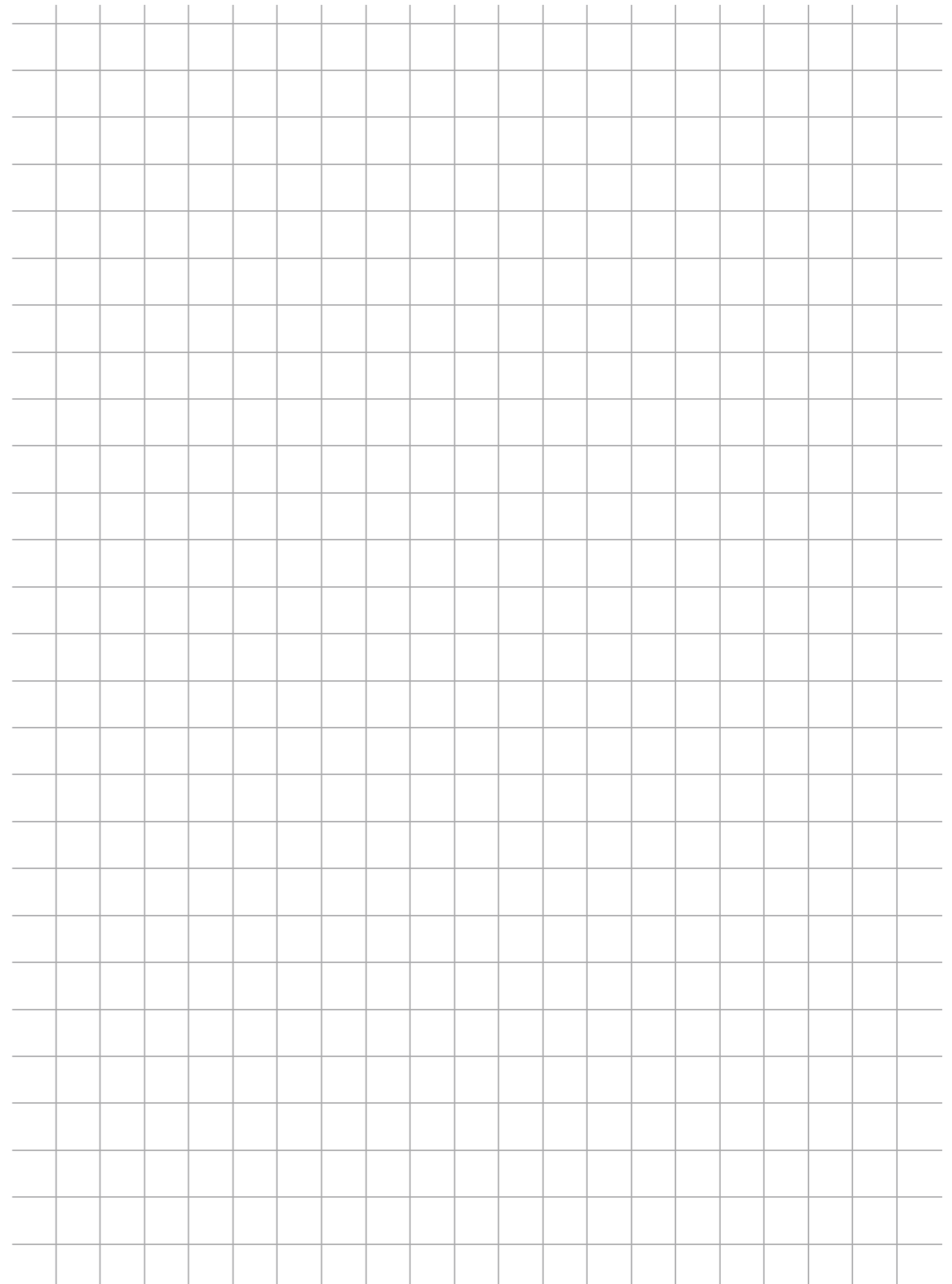
- Step 1: Draw an outline of the room
- Step 2: Record the length of all walls from corner to corner and ceiling height (do not measure existing cabinets)
- Step 3: Place doorways and windows. Record widths including trims and placement distance on wall
- Step 4: Place appliances. Record widths of appliances including the sink and placement distance on wall

To better assist you please follow instructions and fill out all required information

Date	
Name	
Address	
Email	
Phone	
Style	

Make sure all the recorded measurements are clearly legible

Ceiling Height	_____ Inches
Drop down/ soffit ceiling?	<input type="checkbox"/> yes / <input type="checkbox"/> no
Cabinets to the ceiling?	<input type="checkbox"/> yes / <input type="checkbox"/> no
Crown Molding?	<input type="checkbox"/> yes / <input type="checkbox"/> no
Assembly?	<input type="checkbox"/> yes / <input type="checkbox"/> no
Delivery?	<input type="checkbox"/> yes / <input type="checkbox"/> no
If Yes - Phone number of person receiving delivery	



Appliances	Existing or New	Size (Width x Height)
Electric Range	<input type="checkbox"/> Existing / <input type="checkbox"/> New	
Gas Range	<input type="checkbox"/> Existing / <input type="checkbox"/> New	
Cooktop	<input type="checkbox"/> Existing / <input type="checkbox"/> New	
Oven	<input type="checkbox"/> Existing / <input type="checkbox"/> New	
Hood	<input type="checkbox"/> Existing / <input type="checkbox"/> New	
Warming Drawer	<input type="checkbox"/> Existing / <input type="checkbox"/> New	
Microwave	<input type="checkbox"/> Existing / <input type="checkbox"/> New	
Refrigerator	<input type="checkbox"/> Existing / <input type="checkbox"/> New	
Dishwasher	<input type="checkbox"/> Existing / <input type="checkbox"/> New	
Disposal	<input type="checkbox"/> Existing / <input type="checkbox"/> New	
Wine Cooler	<input type="checkbox"/> Existing / <input type="checkbox"/> New	
Sink	<input type="checkbox"/> Existing / <input type="checkbox"/> New	
Farm Sink	<input type="checkbox"/> Existing / <input type="checkbox"/> New	

NO JOB IS TOO BIG OR TOO SMALL



WELCOME & THANK YOU

YOUR DREAM IS OUR MISSION

Thank you for choosing L&C Cabinetry. Our commitment to quality, delivery time and affordability will make our relationship a favorable one. It is our goal that L&C Cabinetry always have the best quality cabinets at the right price.

1. L&C Cabinetry has more than 600 workers and more than 100 containers shipped to U.S. per month .
2. L&C Cabinetry has six warehouses in USA with more than 160,000 sku's in stock, We always have stock every time.
3. L&C Cabinetry has a factory in Vietnam for the raw solid wood material to have enough good material to produce on time.
4. L&C Cabinetry has three products lines , more than 13 style designs in stock.
5. L&C Cabinetry has more than 400,000 sgft warehouse to guarantee all orders are delivered within 2 weeks.
6. L&C Cabinetry has the quality certificate , CARE , CE , ISO9001 , and a member of NKBA & KCMA
7. L&C Cabinetry has the VOC products system to provide the best healthy oil painting Kitchen & Bath cabinets

Once again, we appreciate your support and our deepest thanks for the opportunity to serve you.

Sincerely

L&C CABINETRY

With a variety of specialty cabinets and accessories like corbels, pull out trash bins, valances, corner cabinets with trays, spice racks and glass doors for all our wall cabinets ... we can help design the perfect kitchen you've always dreamed of.

- Emily E. Maradiaga



L&C Cabinetry has been providing Homeowners AND Professionals with top quality cabinetry for more than 14 years. With a 300,000+ square foot warehouse and manufacturing facility, we can handle any size project!

-Sam Lin



We offer free estimates and design services so that we can help create the perfect kitchen or bathroom within your budget. Let our team of professional designers and assemblers help build the space you have always wanted ... no job is too big or too small.

-Lakeshia Parker

NO JOB IS TOO BIG OR TOO SMALL

L&C-ÂCABINETRY
Kitchen & Bath
FACTORY

ABOUT L&C-Â CABINETRY



QUALITY CONTROL

Raw Material Quality Control: Our QC team checks piece by piece when the raw material arrives in factory.



L&C-ÂCABINETRY
Kitchen & Bath
FACTORY

FACTORY

HARDWOOD PRODUCTIVITY



L&C Cabinetry is equipped with different type sanders including calibrang sander, fine sander, and profile sander; dovetail machine, high frequency assembly machine, morse and tenon machine.



L&C
L&C·CABINETRY
 Kitchen & Bath
 —• FACTORY •—



PAINT FINISH ABILITY



L&C Cabinetry is equipped with an automatic sprayer, three roller stain machines, four steps UV line, and paint hanging line to satisfy different customer's paint requirement.



FACTORY

FACTORY

NO JOB IS TOO BIG OR TOO SMALL

CATALOG 2023 EDITION

LnCcabinetry.com

© COPYRIGHT OF L&C CABINetry



L&C·CABINetry
Kitchen & Bath
—• DISTRIBUTOR •—