

SECURAM

SCANLOGIC D22



ScanLogic D22 Safe Lock

The ScanLogic D22 is a very reliable and robust biometric safe lock system ideal for commercial applications. The ScanLogic D22 features a 10 digit numeric EntryPad with SECURAM's rugged stainless steel construction, optical fingerprint authentication and 1000 event audit reporting.

Simple to Use • Reliable

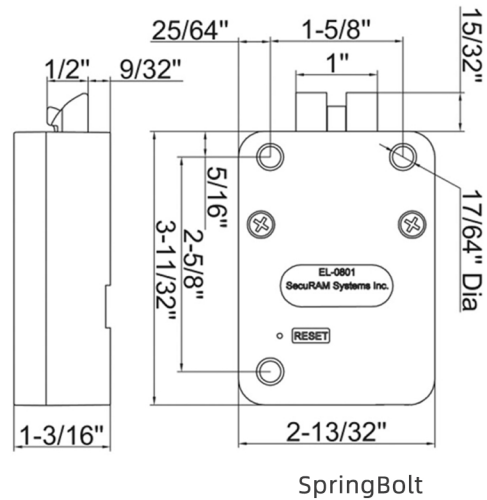
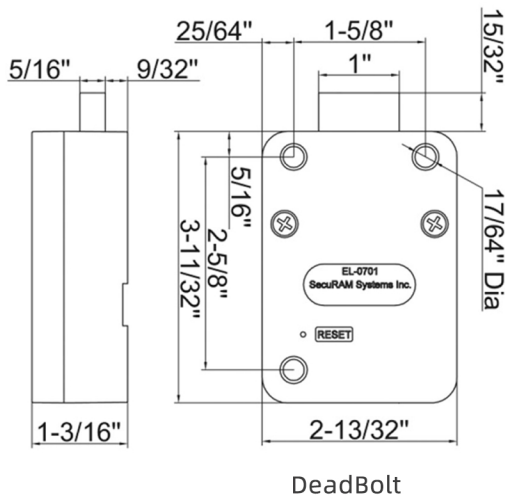
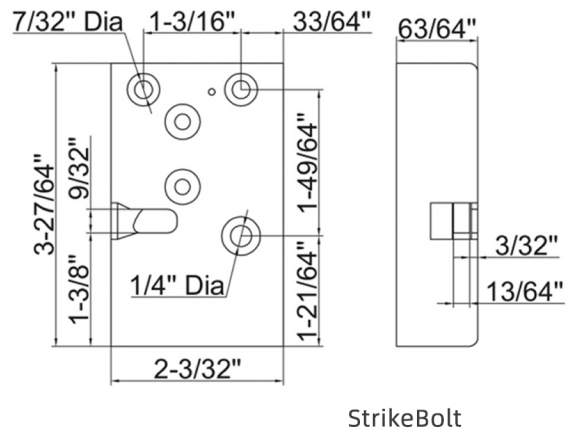
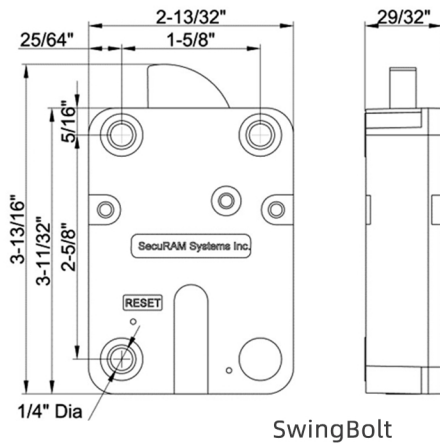
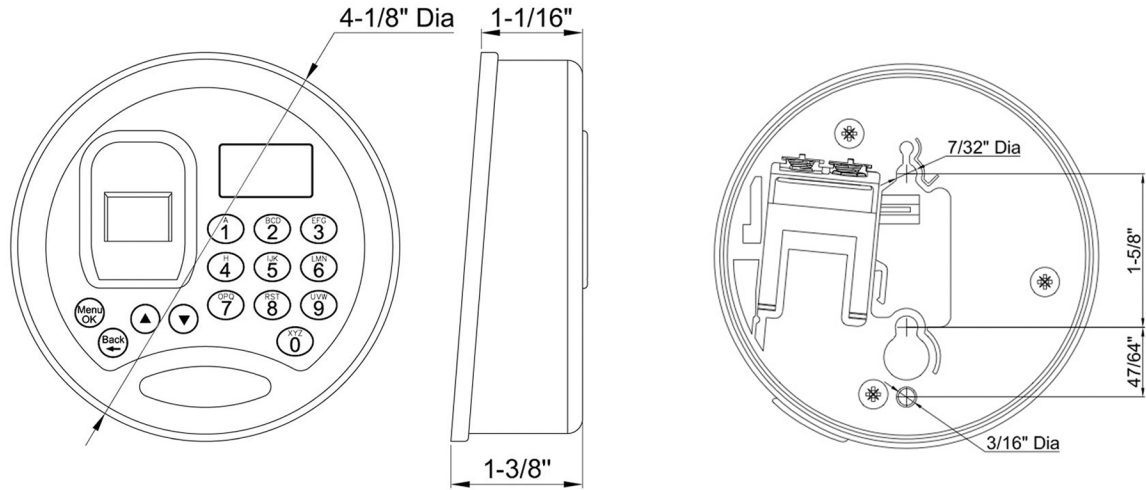
- Place your registered finger on the optical reader and turn the safe handle. That's it.
- Easy fingerprint enrollment process.
- Open with fingerprint and/or code.
- ScanLogic D22 supports 30 fingerprints and 30 codes plus a 1000 event date and time stamped audit trail.
- Every SECURAM lock undergoes a 2,000 cycle quality management program before it leaves the manufacturing facility. Unprecedented commitment to quality and reliability.

Features

- OLED Screen for easy programming
- 30 Fingerprints & User Codes. 2 manager, and 28 user codes
- Super Code programming management and control
- 6 Digit Code
- 1000 Event Audit -Date/Time stamped
- Duress Function - selectable Duress Code shift
- Time Delay 0-99min; Time Window 1-15min
- Time Delay Override Codes -selectable
- Duress Time Delay -to change duration of Time Delay during Duress operation
- Level 1 - Code Only; Level 2- Fingerprint & Code; Level 3 -Fingerprint or Code
- Recovery Code
- Single or Dual Control Modes
- Enable/Disable User Codes
- Can Control up to 4 locks
- Stainless Steel EntryPad Housing
- Can be paired with any SECURAM Lock
- 10 Button EntryPad for easy code entry
- Penalty LockOut after 4 incorrect codes
- Standard footprint makes for easy retrofit
- Finishes: Chrome

Part # FPC-0601A-D22-C-II-CH

SECURAM



Specifications

Power Supply	(1) 9V Alkaline Battery (Duracell)
Battery Life Span	About one year
Code Length	6 Digits
Standby Current	<50uA
Battery Low Voltage	5.4+/-0.2V
Operating Humidity	90% Maximum