

SECURAM

SAFELOGIC DIRECT DRIVE C-10



SafeLogic Direct Drive C-10

The Direct Drive is our latest in a line of innovative safe lock systems. The lock offers manual bolt retraction. Enter a valid code and then turn the EntryPad to retract the bolt.

The Deadbolt is perfect for push/pull bolt applications. The drilled and tapped bolt can be used to attach to boltwork or add bolt extensions. The EntryPad is stainless steel and features our high tech milled finished look. It is also easily removable to access the battery compartment.

The Direct Drive C-10 features Audit download with USB Adapter.

Features

- 10 codes: 1 manager code, and 9 user codes
- 6 digit code length
- Enter a valid code, then turn the EntryPad to retract the DeadBolt
- Unique no-twist cable design
- DeadBolt is drilled and tapped to allow bolt extensions or attachments
- 10,000+ openings on a 9 Volt battery
- 100 sequential audit trail with *C10 Audit Software and USB (*sold separately)
- Enable and Disable User codes
- Time Delay functionality 1-45min; programmable Opening Window 1-15min
- Time Delay Override
- Dual Mode and Dual Mode Override
- Option to turn off beeper
- Available finishes: Chrome

Part #
EntryPad EM-1701A-C10
Lock Body DL-1701



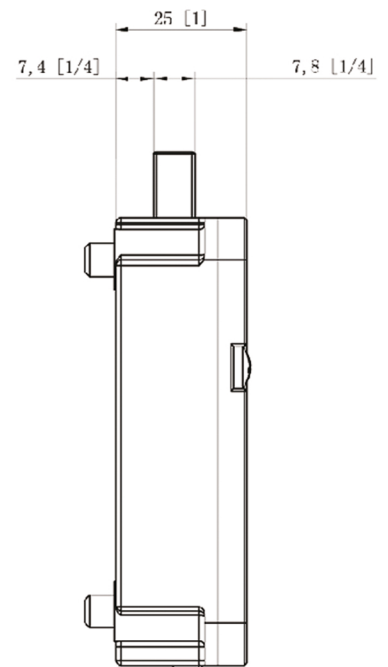
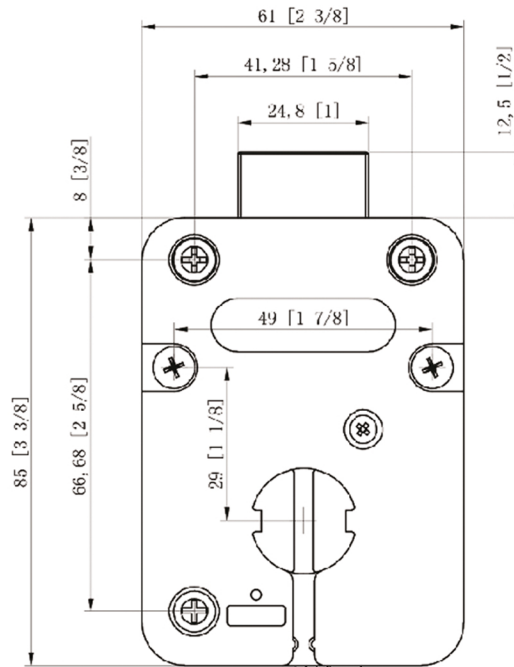
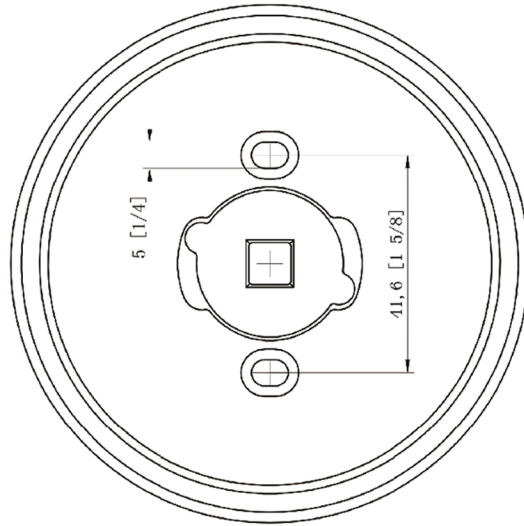
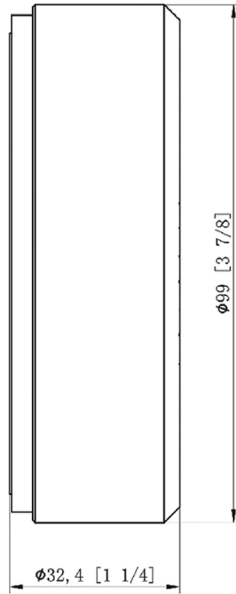
SAFELOGIC C-10
DIRECT DRIVE



C-10 USB ADAPTER
TO DOWNLOAD AUDIT
PART # UA-1801

SECURAM

SAFELOGIC DIRECT DRIVE EntryPad



DIRECT DRIVE DEADBOLT LOCK BODY

Specifications	
Power Supply	(1) 9V Alkaline Battery (Duracell)
Power Supply Range	DC 4.5V ~ 12V
Code Length	6 Digits
Standby Current	Specification < 50uA
Active Current	< 20mA
Operating Humidity	90% Maximum
Temperature Range	32° F to 120° F
Battery Current	5.2+/- 0.2V