

**Electronic Combination Controller
ECSL-0601A- II**

Installation Instructions

Version No.: V1.020130306(B)

SECURAM Systems, Inc.

Mounting recommendations from SECURAM:

1. Never remove the swingbolt actuator cover. Removal of the cover voids product warranty.
2. Modifications on the swingbolt actuator are not recommended and will void product warranty.
3. Use a brand new 9V ALKALINE battery only. Recommend using Energizer™ or Duracell™ brand.
4. All SECURAM entrypads have the same diameter of 4-3/32"(104mm). (Fig. 8)
5. A minimum of 1-2mm of space is required between the flat end of the bolt and safe's blocking bar or cam plate when the safe's boltwork is in fully locked position. This is because of the depression on the bolt may not allow it to be retracted and may lead to inconsistent lock operations. (Fig. 9)
6. Note that the cable connectors have lock-tabs attached to them which ensure that the cable is securely locked into place. It is recommended to pinch the lock-tab every time when pulling out the connector from the socket.
7. Make sure the swingbolt actuator is fully operational before closing the safe door for the first time. (Fig. 10)
8. Once there is an installation that requires long distance between entrypad and actuator, longer cable should be used and routed inside the safe. Well cable protection keeps wires from being damaged during the future use. Damages on the cable may result in a lockout -- a condition that the actuator can't be unlocked.
9. In secure storage units that require two actuators this actuator must be locked first to be able to check the locking by the bolt work handle. The second actuator must be signaling the secured status by special means (audible signals, message and a display etc.)

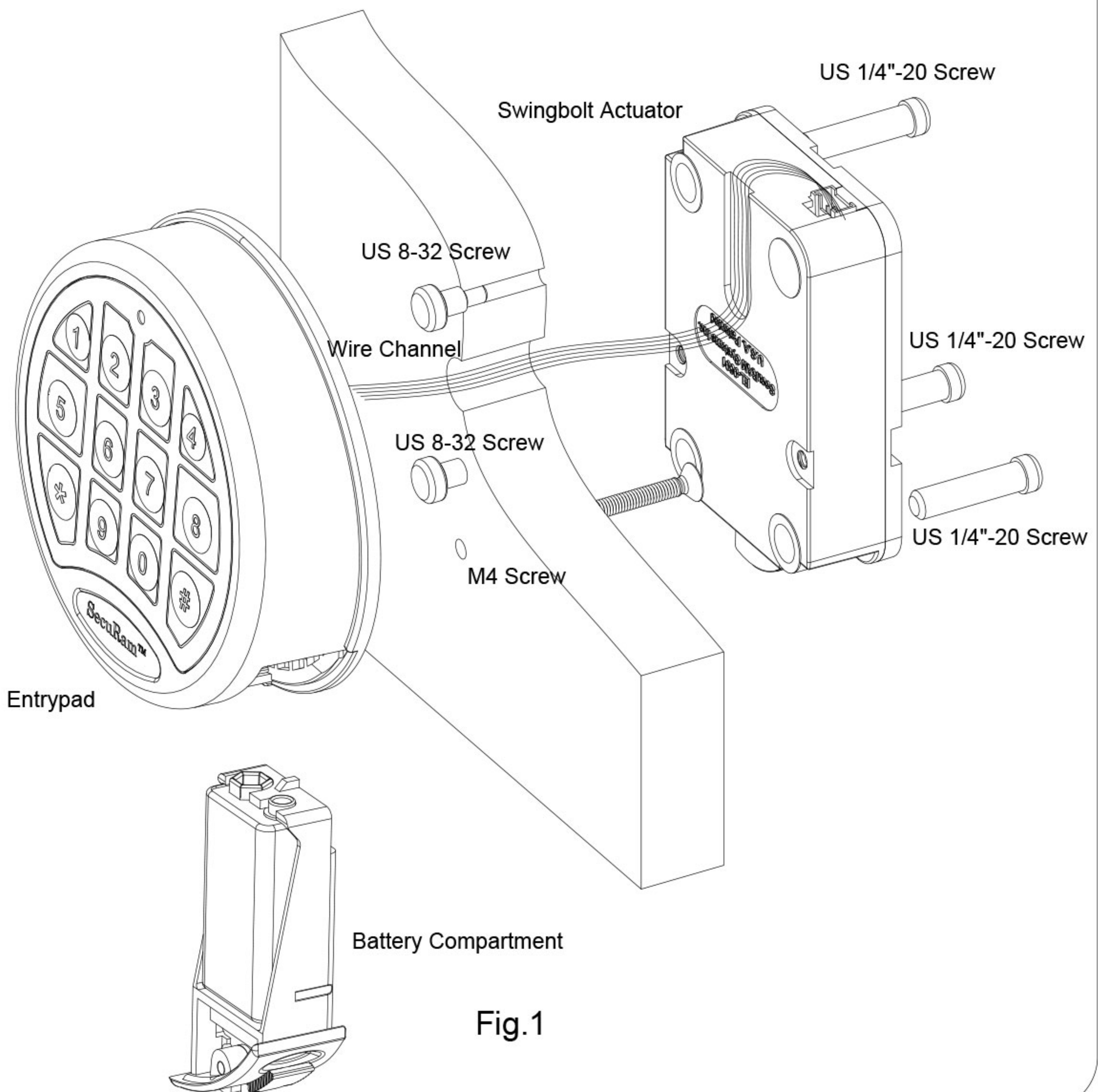


Fig.1

Install entrypad:

1. Drill and tap two mounting holes for two US 8-32 screws, one wire channel and one hole for one M4 screw on the safe front door or plate . Make sure four holes' center should be in one vertical line.(Fig. 2)
2. Use the two 8-32 mounting screws to mount onto the door.(Fig. 3)
3. Install cable (Fig.4)
 - 1) Carefully insert the connector into the socket and gently press the connector until a click is heard. If it doesn't slide into position, do not force it. You need to turn it 180° to retry it.
 - 2) Gently slide the cable into the hook. Propping the hook open a little bit can helpfully feed the cable into the hook more easily. The white side of the cable must facing upfront all the way.
 - 3) Carefully fold any excess cable inside the entrypad. Make sure the cable is not too short to allow entrypad replacement.
 - 4) Route the other end of the cable through the wire channel. Make sure the wire channel is rounded with no sharp edges that might damage the cable.
4. Slide the entrypad into the mounting screws until a click is heard. The entrypad should be locked into place and should not move in either direction. Make sure that the cable will not rub or tangle on mounting screws. It is also very important make sure the cable is not crimped or folded against itself under the entrypad as you prepare to mount the entrypad to the safe front door or plate.

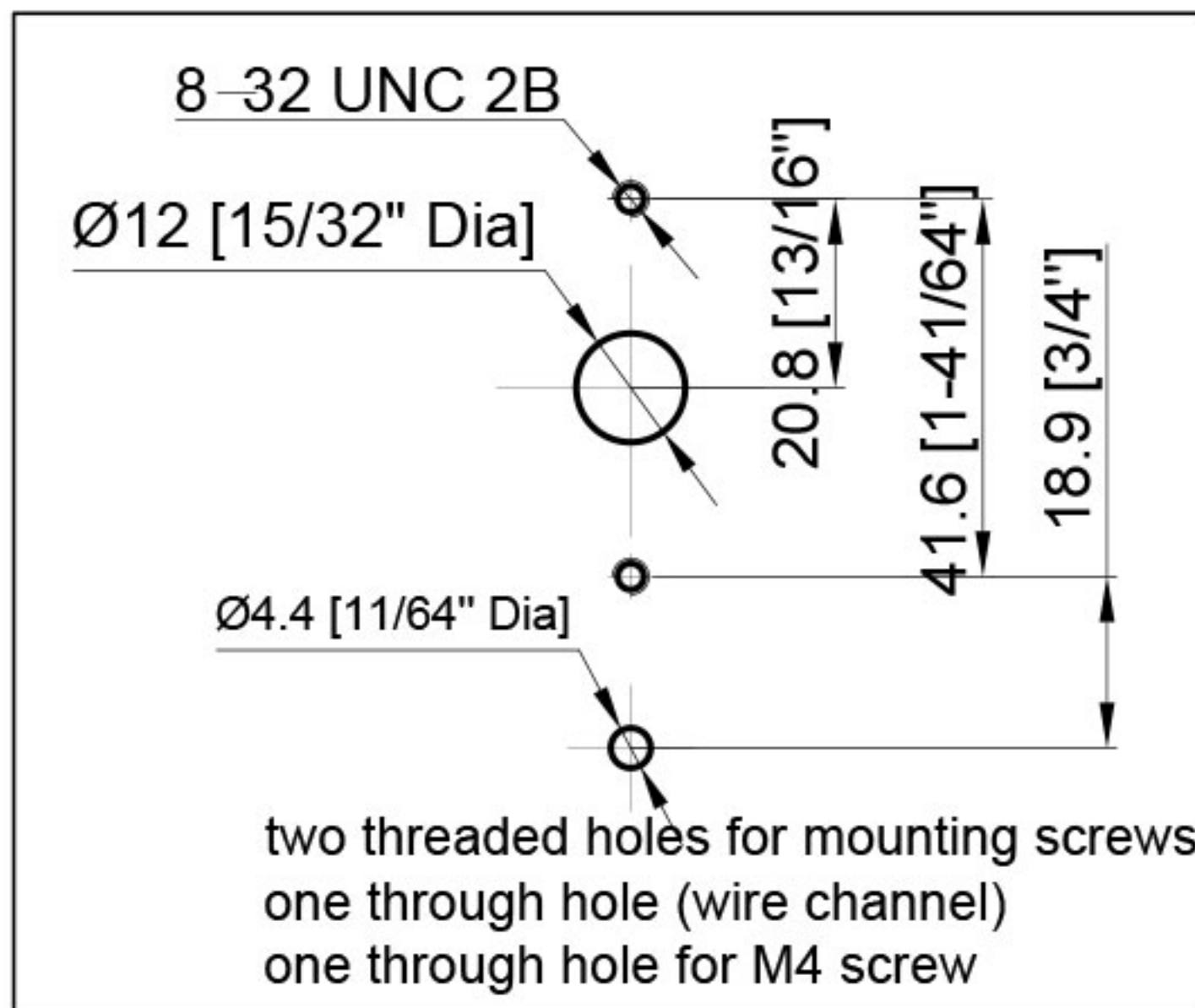


Fig. 2

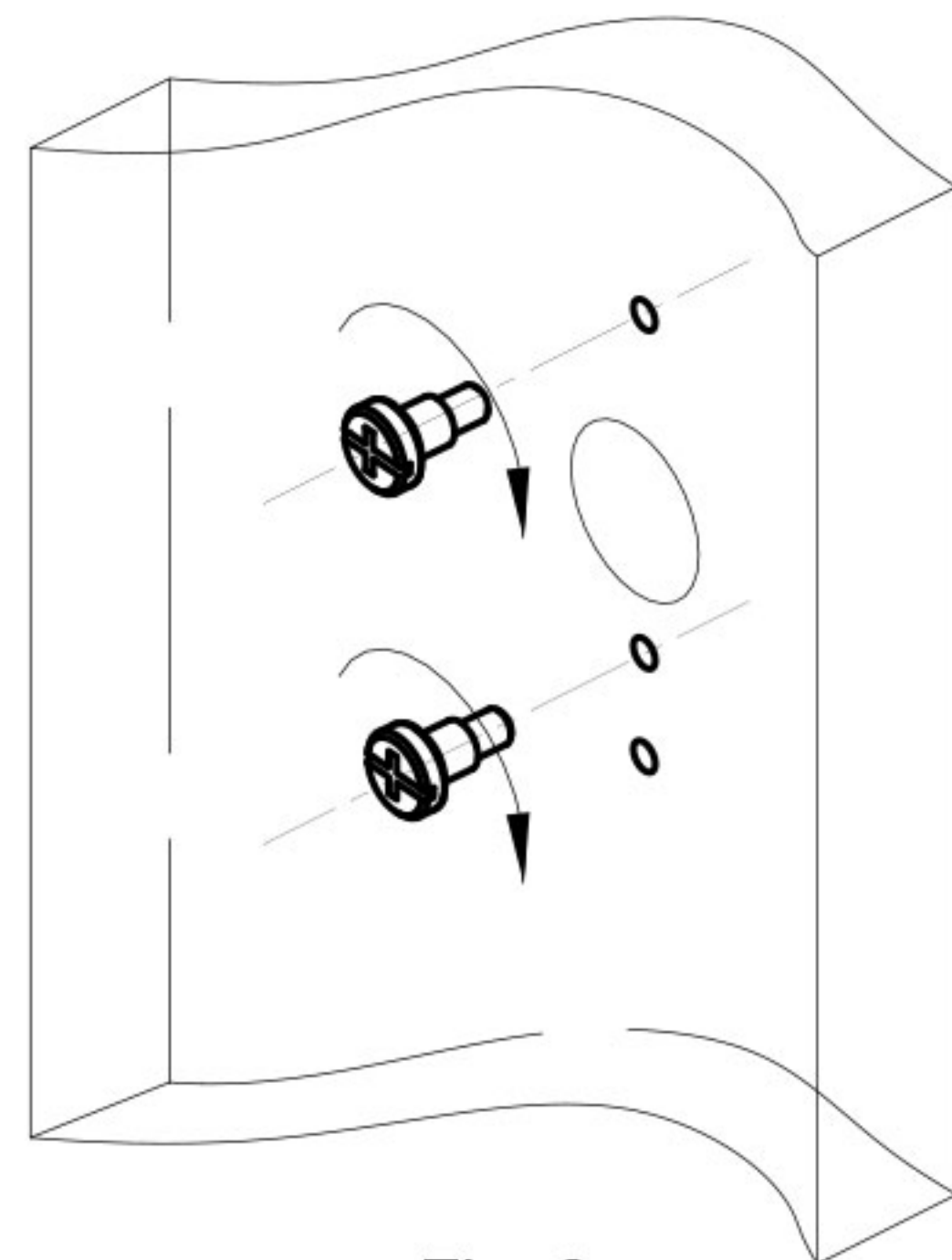


Fig. 3

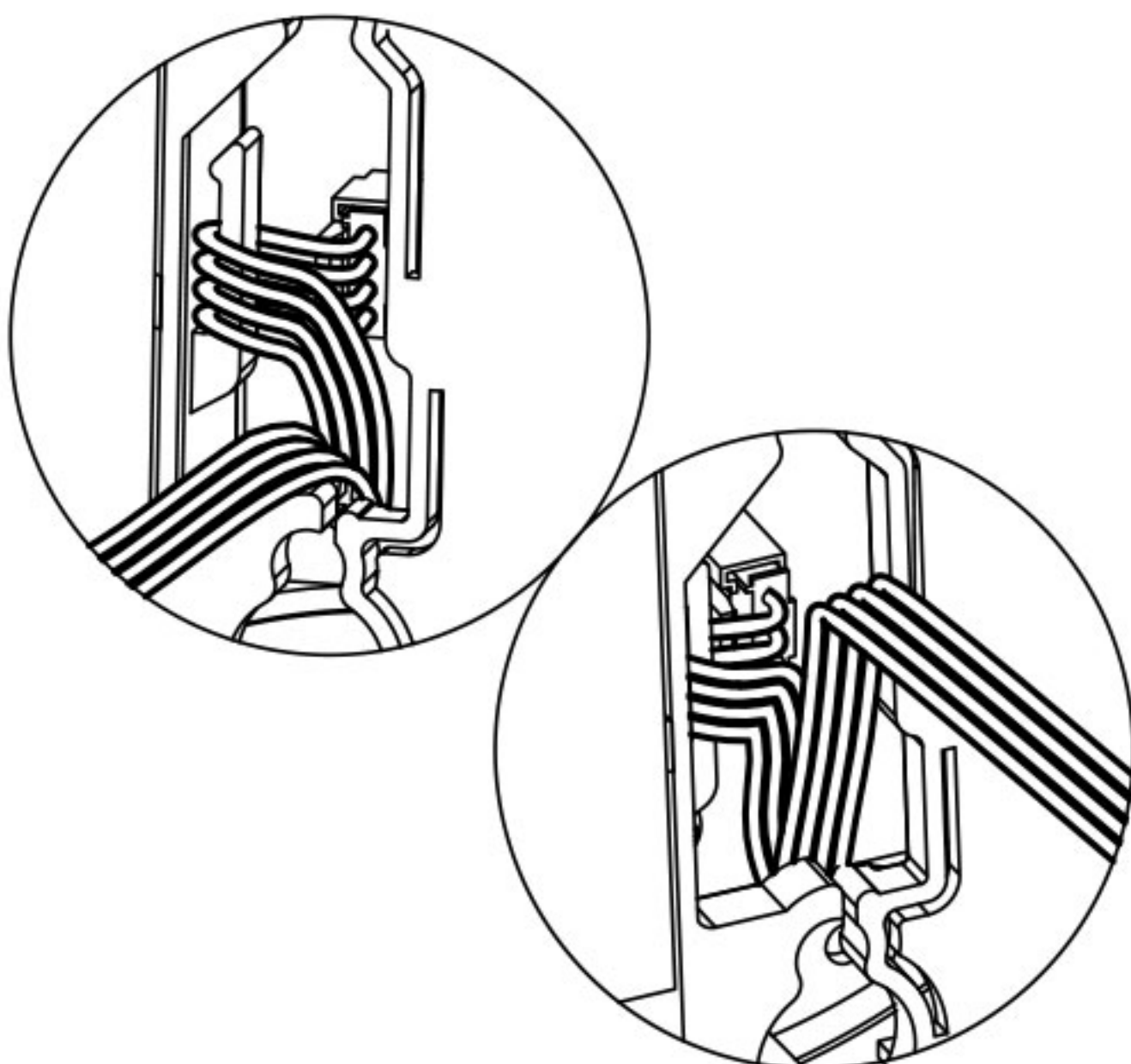


Fig. 4

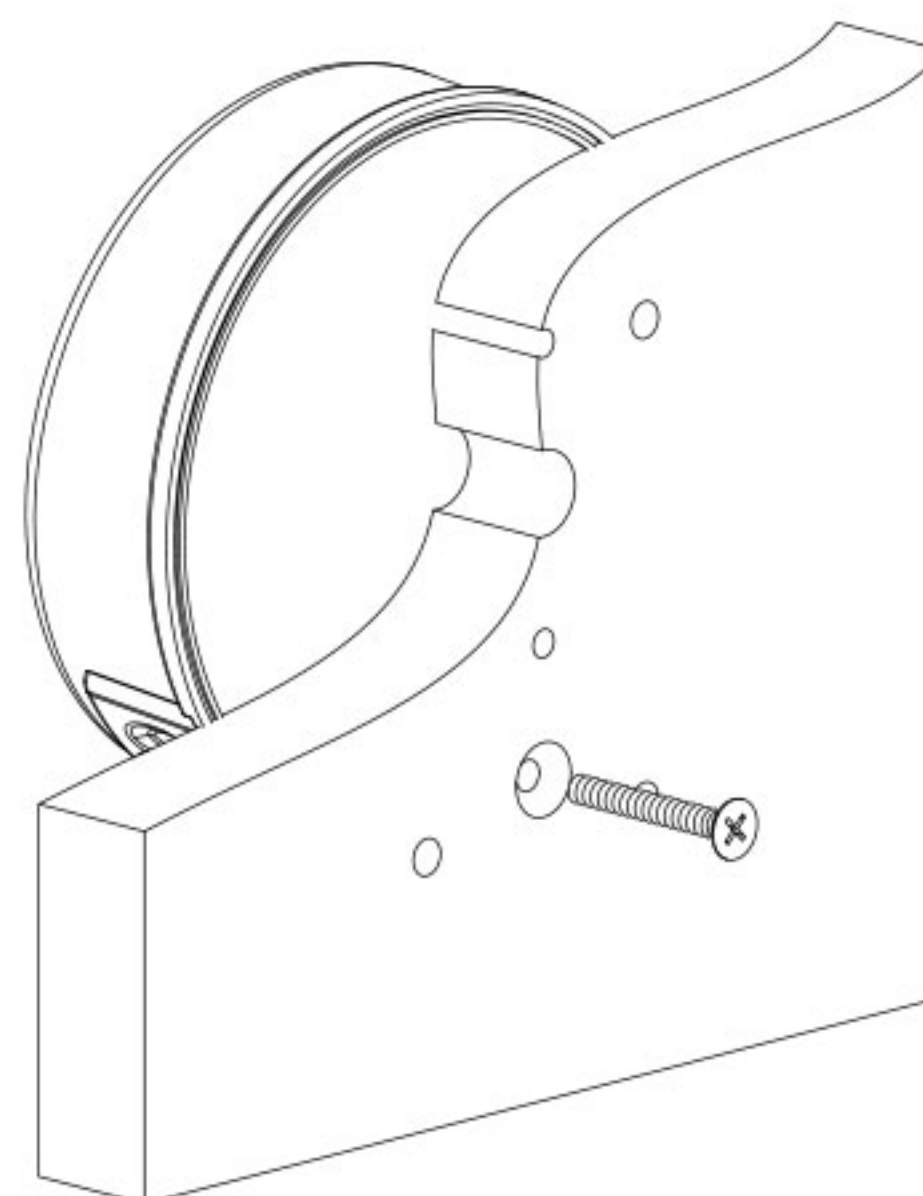


Fig. 5

- Secure the entrypad: Install a M4 screw at the bottom from inside safe, as shown. The entrypad can't be capable of being removed from outside. Proper screw and installation way should be adopted to avoid being interfered with the swingbolt actuator. (Fig. 5)The actuator loses the approval if the 4 mm screw in Fig. 5 is not installed.
- Install battery: Make sure connect the battery correctly about the positive and negative poles. Slide the battery compartment into the bottom of entrypad, as shown. Push it up until it is in line with or level with the cover. Pull up the latch of the battery compartment until it is tight and secure too. (Fig. 6&7)

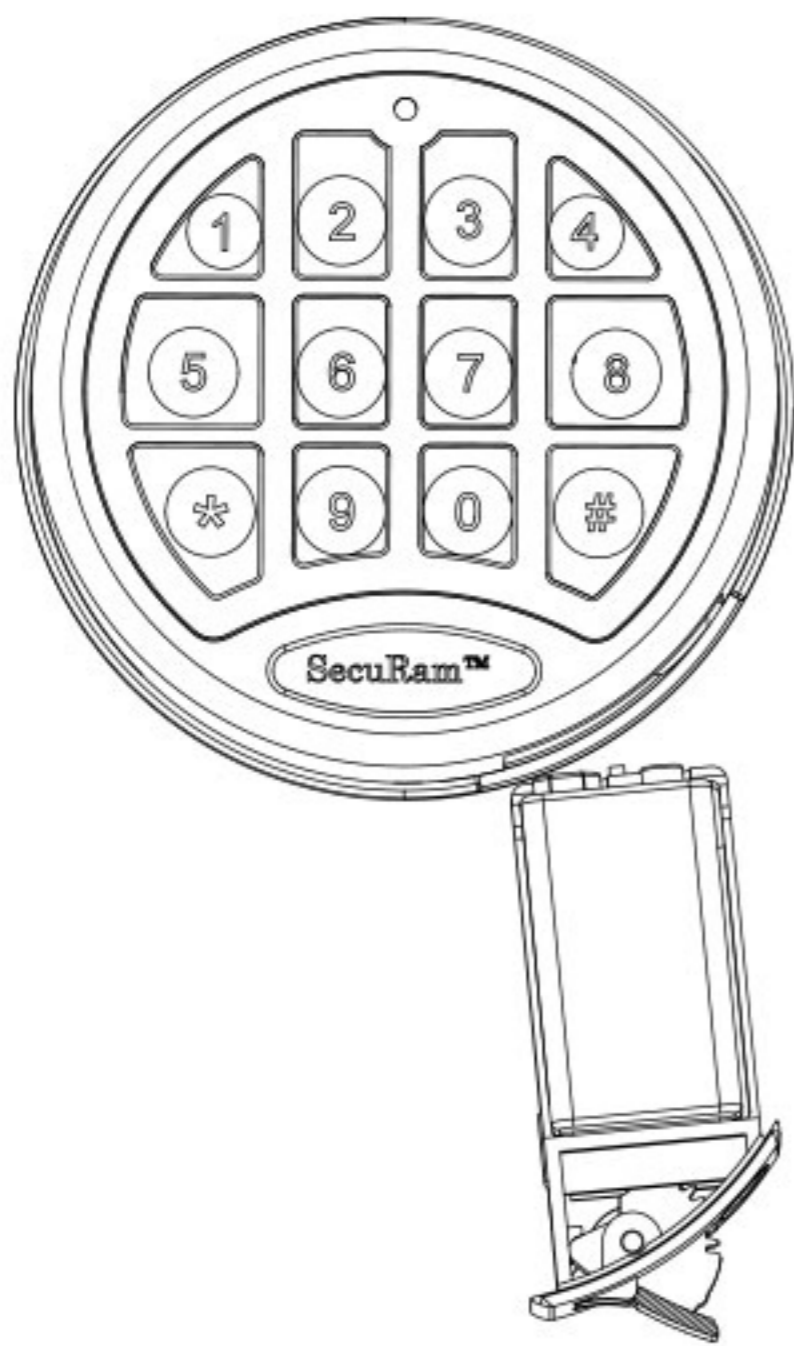


Fig. 6

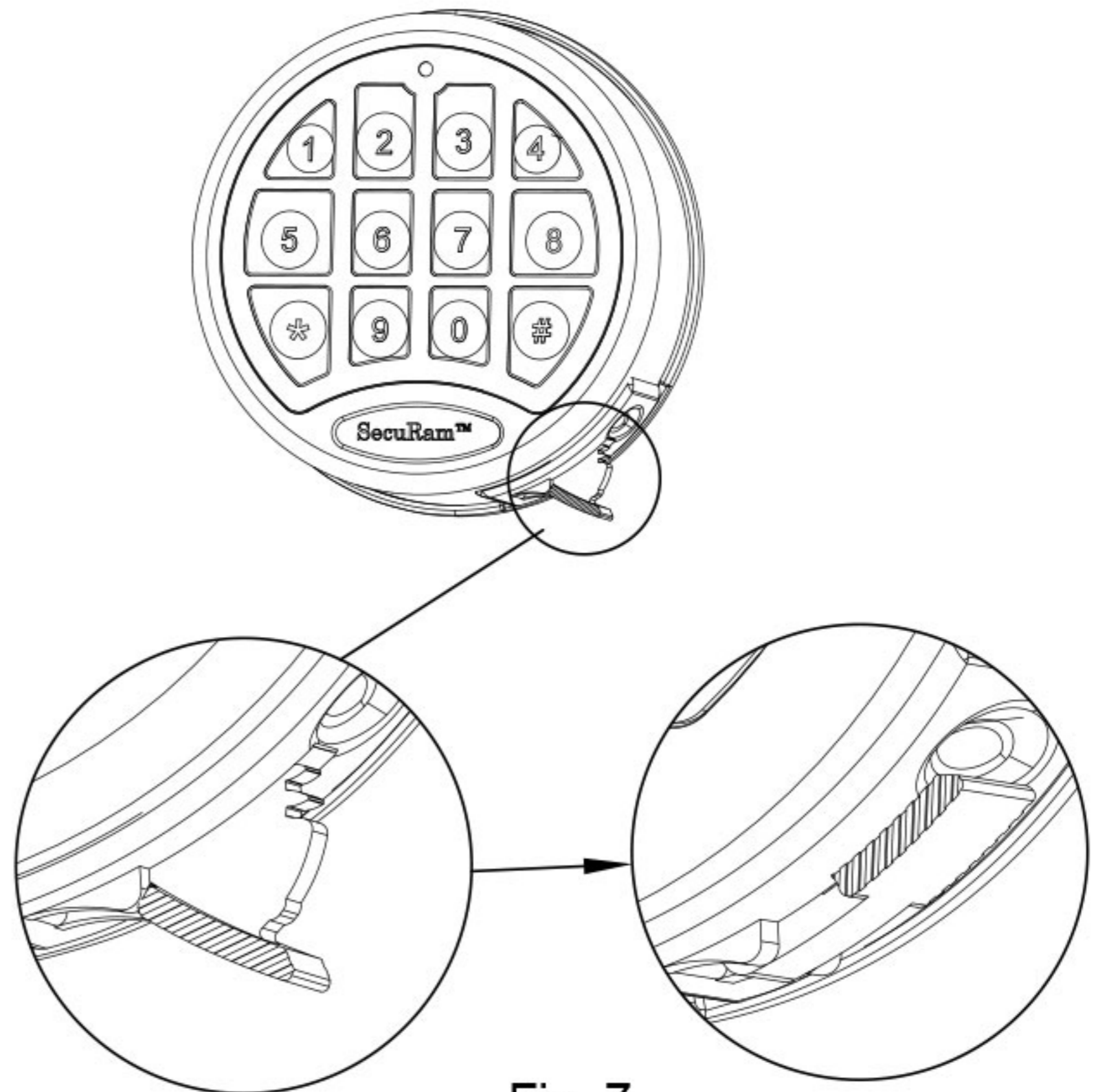


Fig. 7

Dimension of Entrypad :

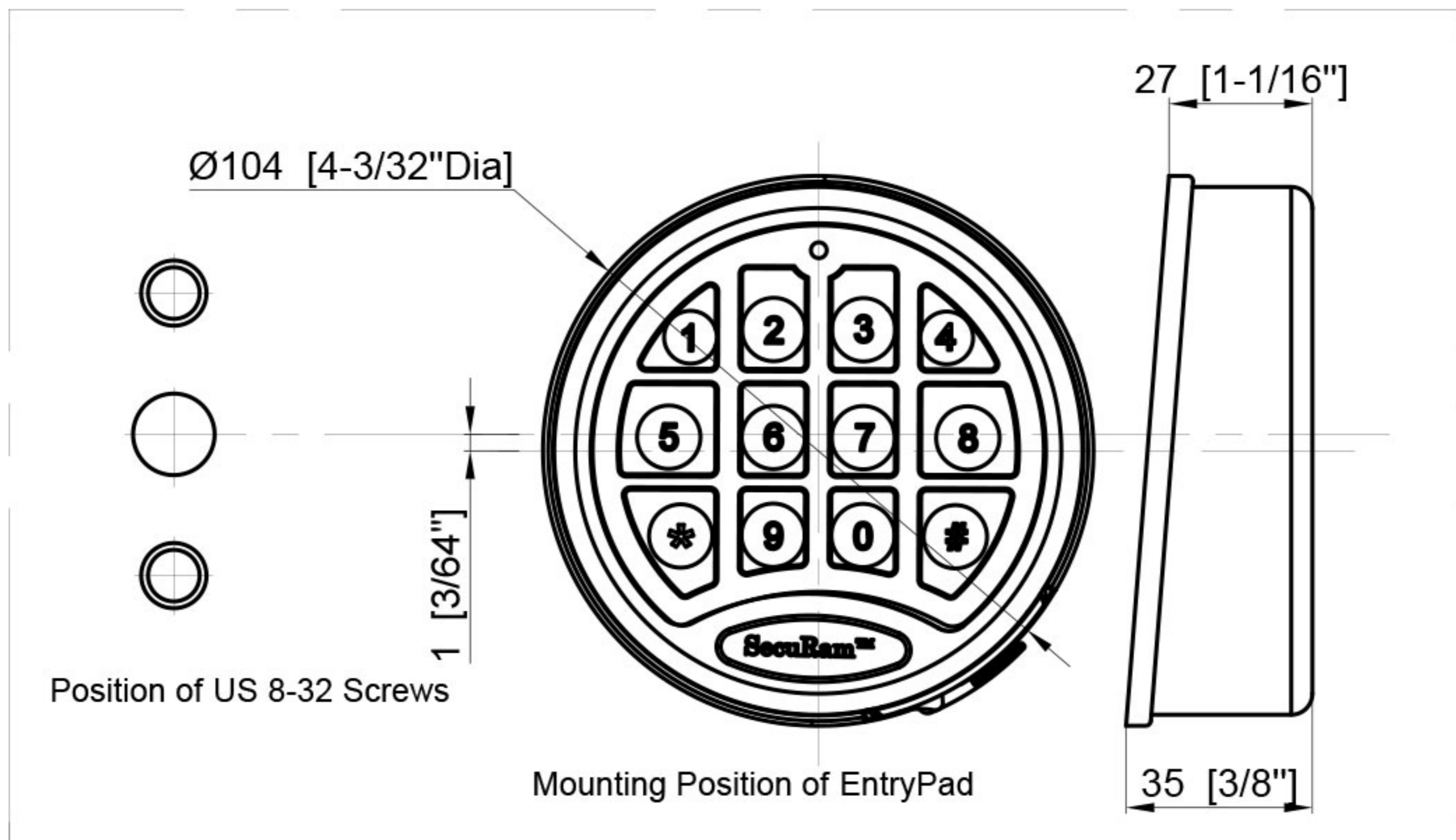


Fig. 8

Install the swingbolt actuator:

1. Drill and tap three mounting holes for US 1/4"-20 or M6 on the safe's mounting plate. (Fig. 11)
2. Gently pull on the cable to ensure there is no excess cable in the hole and place the cable as shown. (Fig. 10)
3. Use the three mounting screws provided by the factory to screw down the swingbolt actuator to the mounting plate. Make sure that the cable runs in the groove (Fig. 12). It is important to make sure there is a distance of 1-2mm between the flat end of the bolt and the safe's blocking bar or plate. (Fig. 9)

Dimension of Swingbolt Actuator :

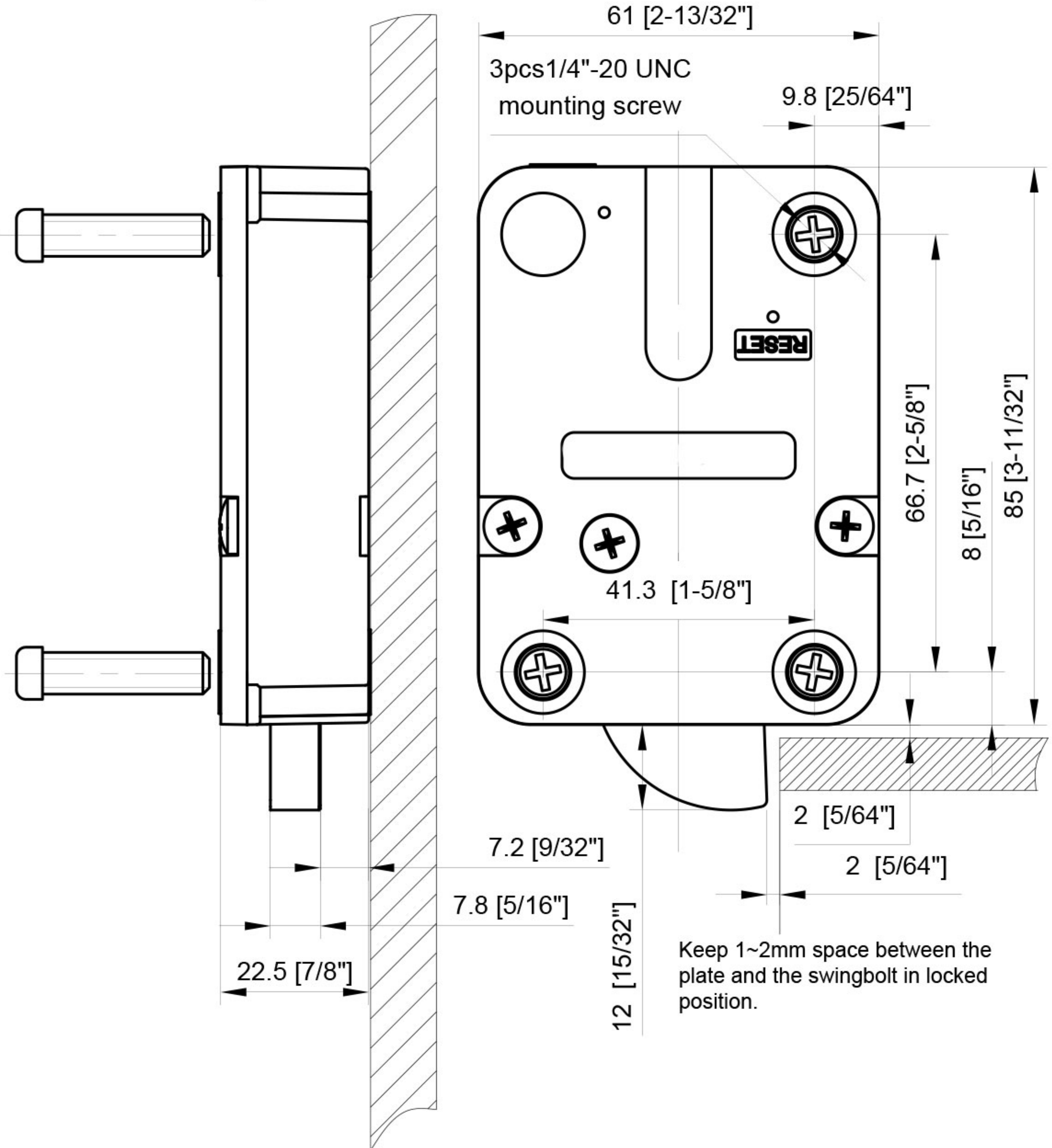


Fig. 9

4. Press the connector into the socket on the swingbolt actuator. Make sure the connector is securely in place. (Fig. 12)
5. The installation is complete. Do not close the safe door until the controller has been successfully operated at least three times in a row. Refer to the user's manual that were packaged with your controller.

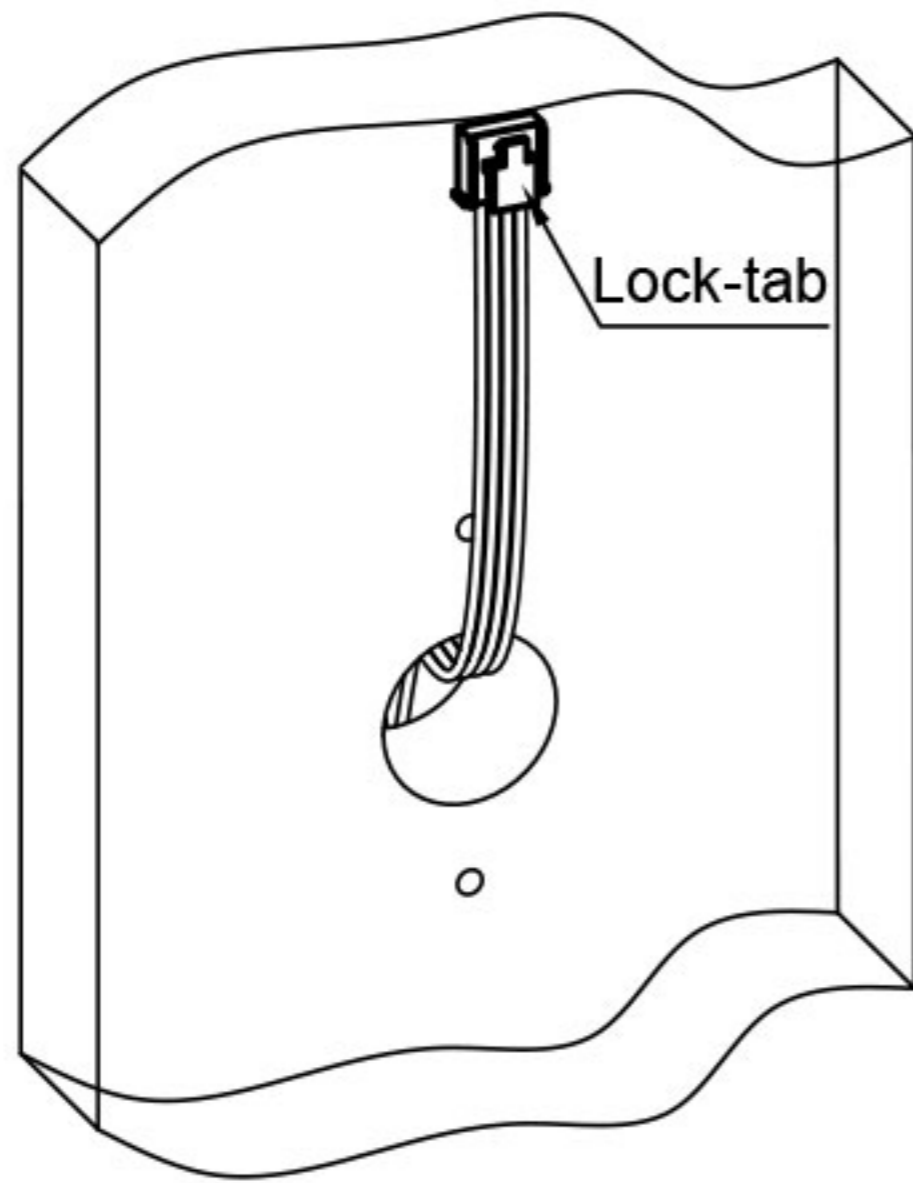


Fig. 10

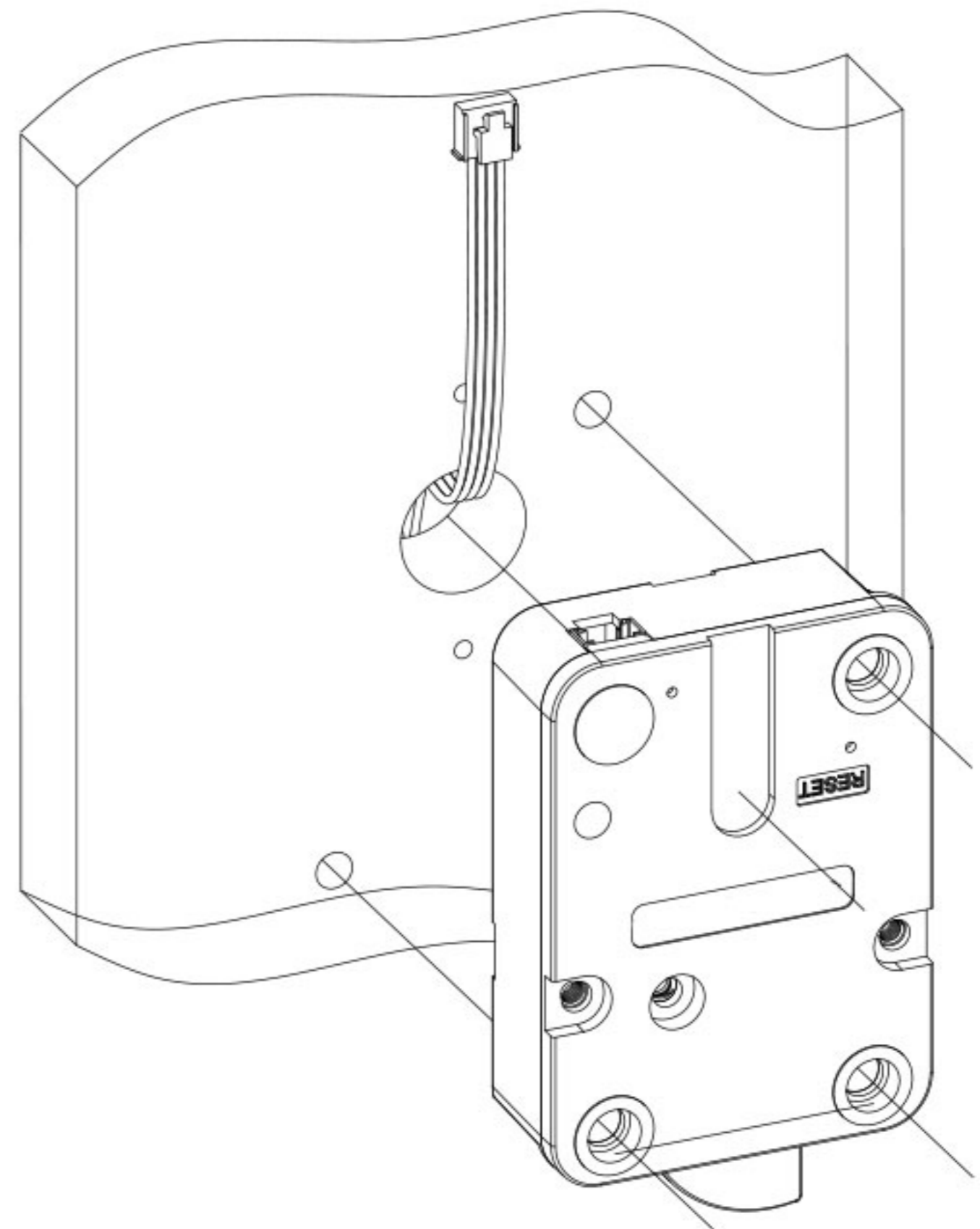


Fig. 11

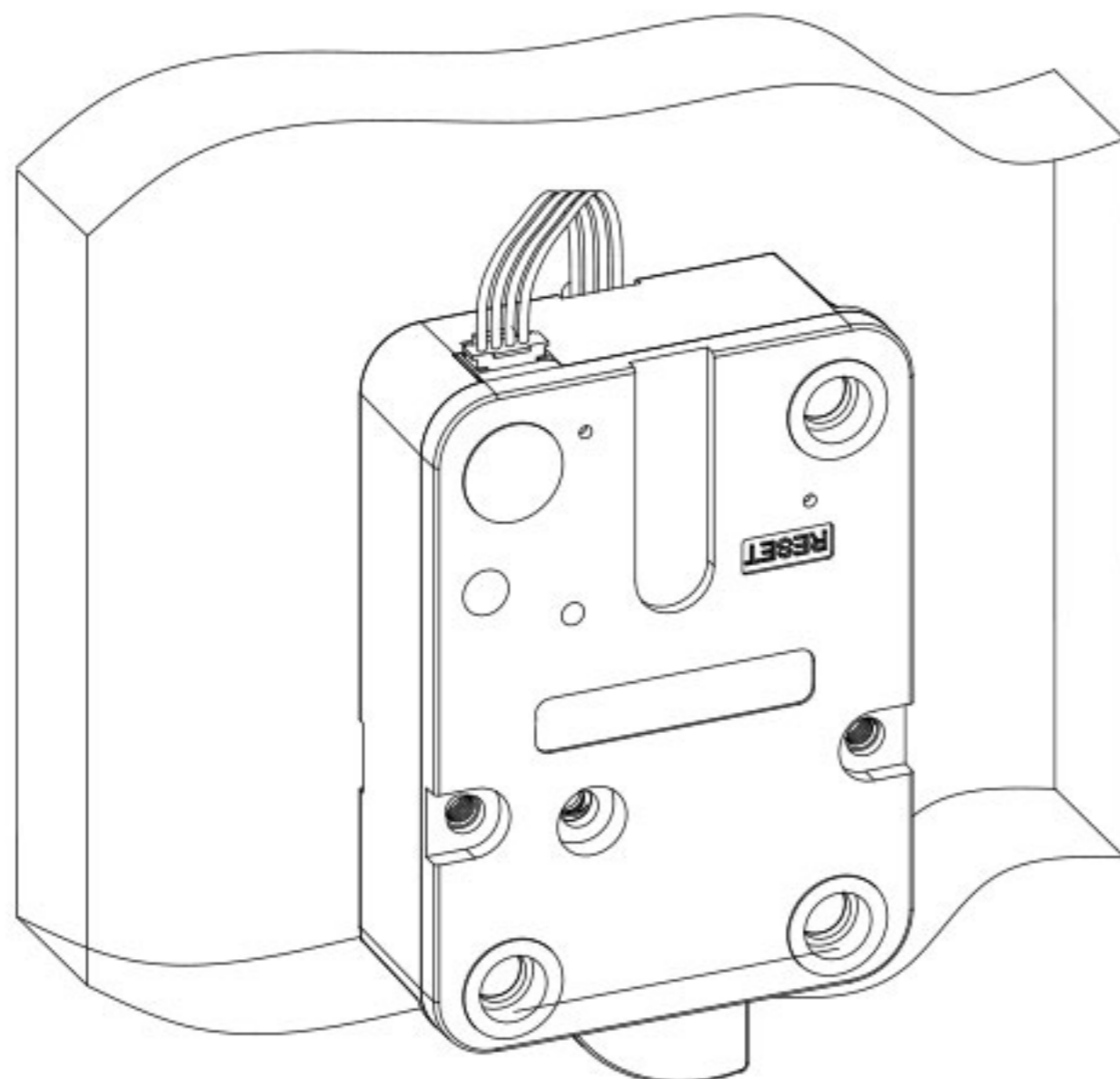


Fig. 12

Swingbolt actuator protection:

The actuator body is designed to be mounted inside a secure container. The container must be constructed to offer protection against destructive burglary attack directed at the actuator. Actuator protection may include anti-drilling plates, relock devices, relock components, or any combination of these.

Following figured is a recommended protection by anti-drilling plate. Anti-drilling plate is weld between mounting plate and safe's door. (Fig. 13&14)

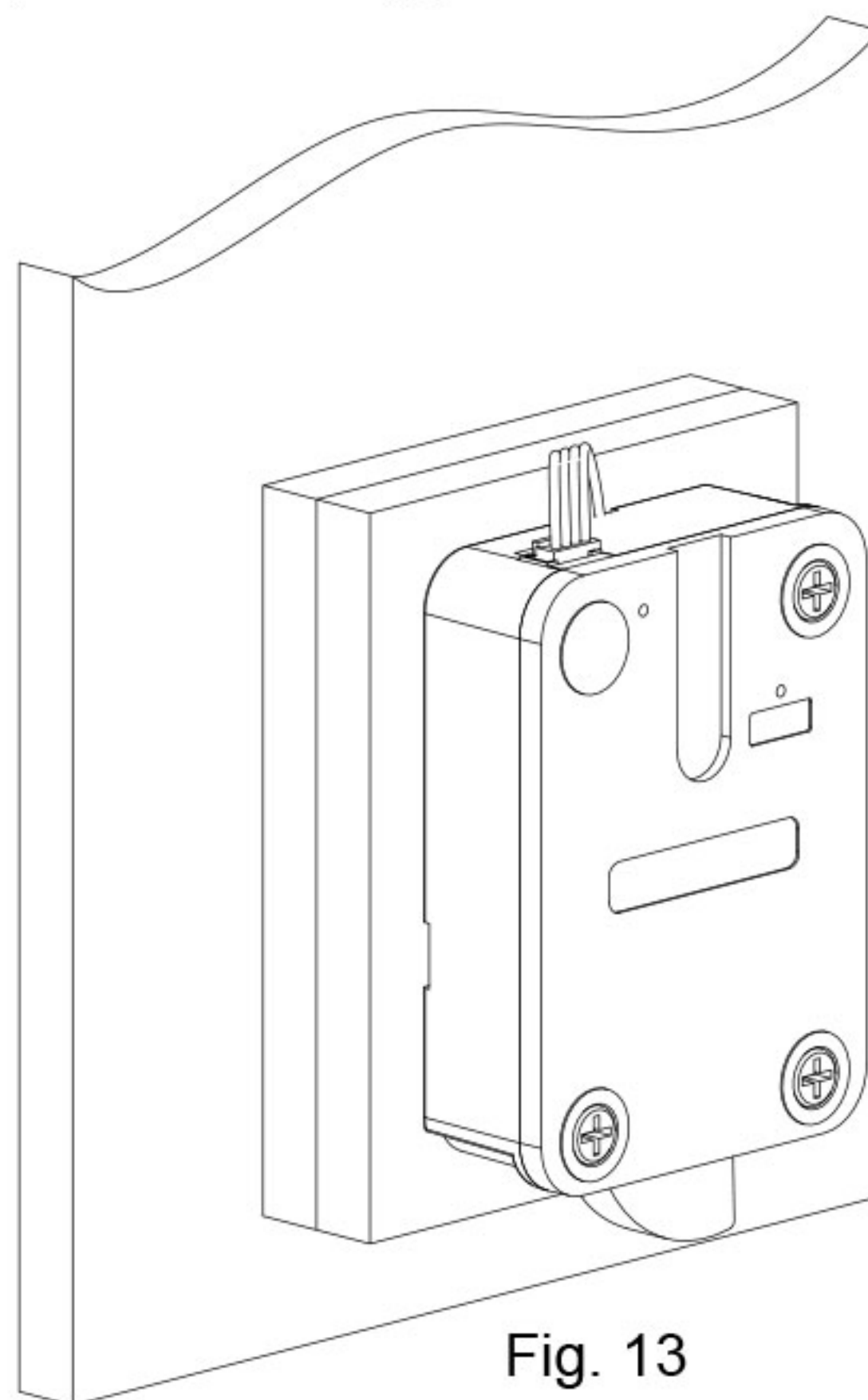


Fig. 13

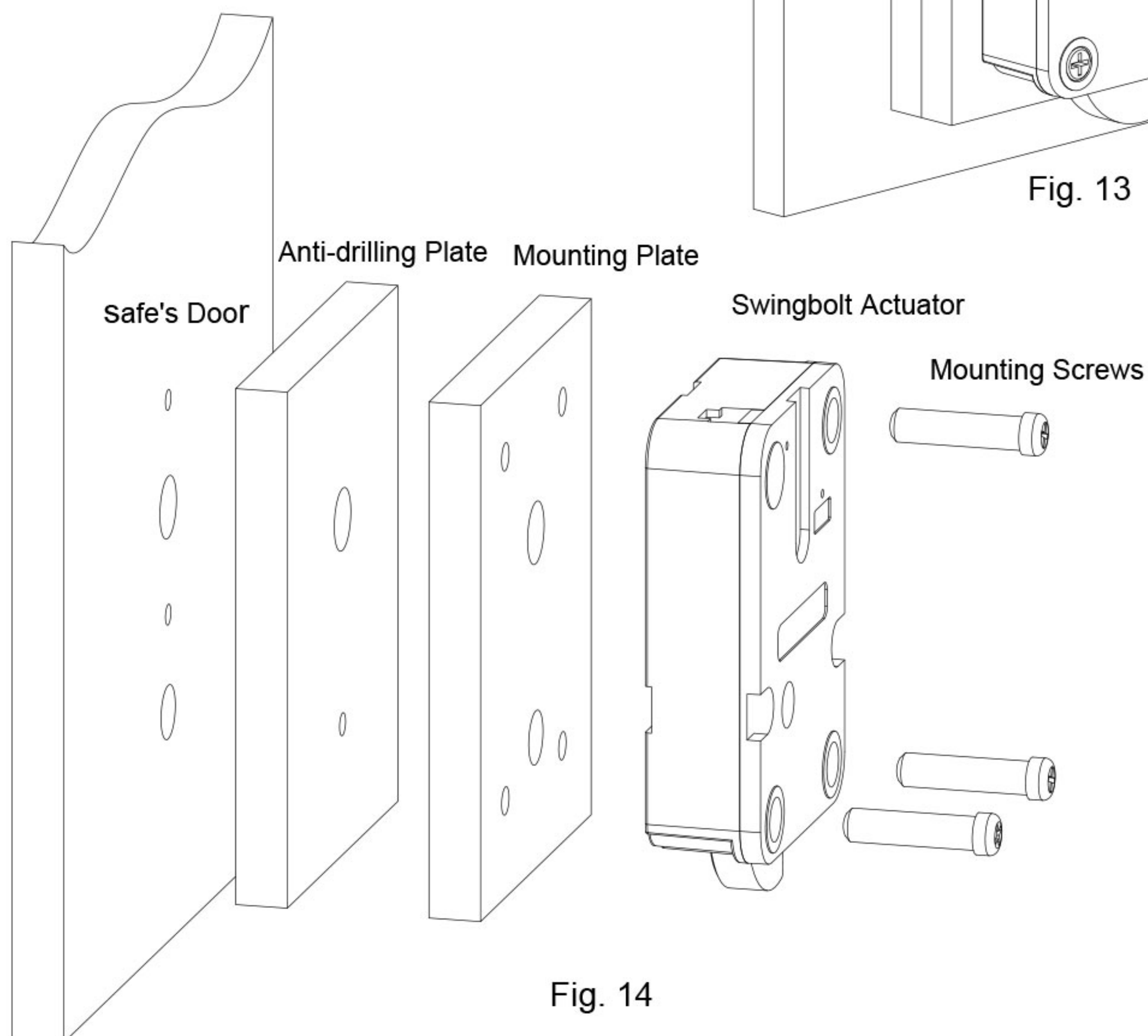


Fig. 14

Specification:

1. Dimensions of the bolt head: 12mm (Fig. 9)
2. Strength in side load: $\geq 1\text{KN}$