

Installation Instructions

SpringBolt Lock Body
EL-0801

Doc. No.: EL0801160505
Version No: V1.020120229(A)

SECURAM

Installation Instructions

SpringBolt Lock Body
EL-0801

Doc. No.: EL0801160505
Version No: V1.020120229(A)

SecuRam Systems, Inc.

Mounting Instructions:

1. Never remove the springbolt lock body cover. Removal of the cover voids product warranty.
2. Modifications on the springbolt lock body are not recommended and will void product warranty.
3. Use a brand new 9V ALKALINE battery only. Recommend using Energizer™ or Duracell™ brand.
4. All SecuRam entrypads have the same diameter of 4-3/32"(104mm). (Fig. 8)
5. A minimum of 1-2mm of space is required between the flat end of the bolt and safe's blocking bar or cam plate when the safe's boltwork is in fully locked position. This is because of the depression on the bolt may not allow it to be retracted and may lead to inconsistent lock operations. (Fig. 9)
6. Note that the cable connectors have lock-tabs attached to them which ensure that the cable is securely locked into place. It is recommended to pinch the lock-tab every time when pulling out the connector from the socket.
7. Make sure the springbolt lock body is fully operational before closing the safe door for the first time. (Fig. 10)
8. Once there is an installation that requires long distance between entrypad and lock body, longer cable should be used and routed inside the safe. Well cable protection keeps wires from being damaged during the future use. Damages on the cable may result in a lockout -- a condition that the lock body can't be unlocked.

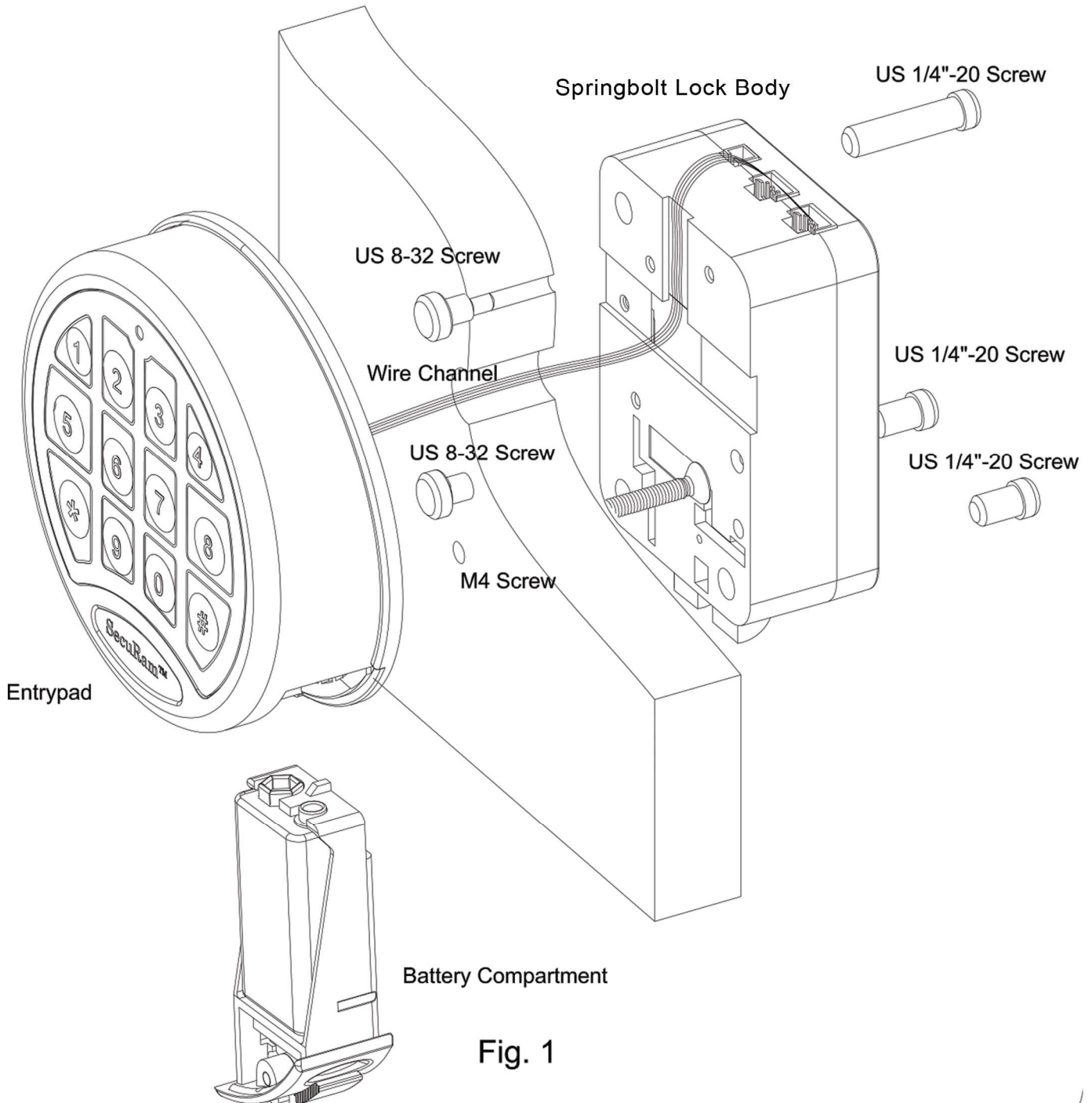


Fig. 1

Install Entrypad:

1. Drill and tap two mounting holes for two US 8-32 screws, one wire channel and one hole for one M4 screw on the safe front door or plate. Make sure four holes' center should be in one vertical line. (Fig. 2)
2. Use the two 8-32 mounting screws to mount onto the door. (Figure 3)
3. Install cable (Fig. 4)
 - 1) Carefully insert the connector into the socket and gently press the connector until a click is heard. If it doesn't slide into position, do not force it. You need to turn it 180° to retry it.
 - 2) Gently slide the cable into the hook. Propping the hook open a little bit can help feed the cable into the hook more easily. The white side of the cable must be facing up all the way.
 - 3) Carefully fold any excess cable inside the entrypad. Make sure the cable is not too short to allow entrypad replacement.
 - 4) Route the other end of the cable through the wire channel. Make sure the wire channel is rounded with no sharp edges that might damage the cable.
4. Slide the entrypad into the mounting screws until a click is heard. The entrypad should be locked into place and should not move in either direction. Make sure that the cable will not rub or tangle on the mounting screws. It is also very important make sure the cable is not crimped or folded against itself under the Entry pad as you prepare to mount the entrypad to the safe front door or plate. (Fig. 5)

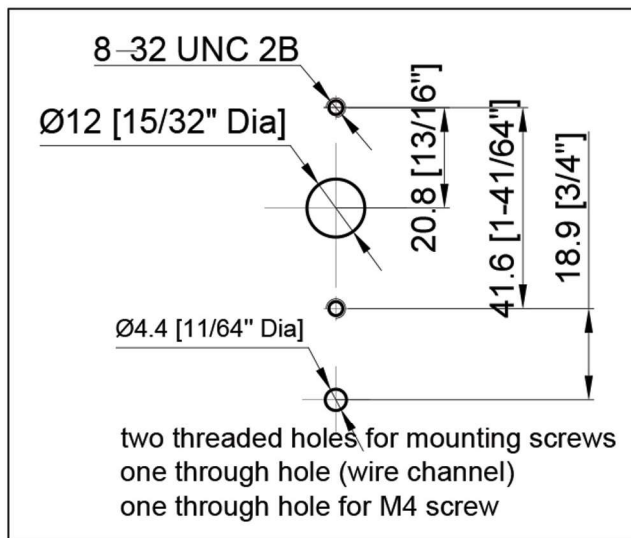


Fig. 2

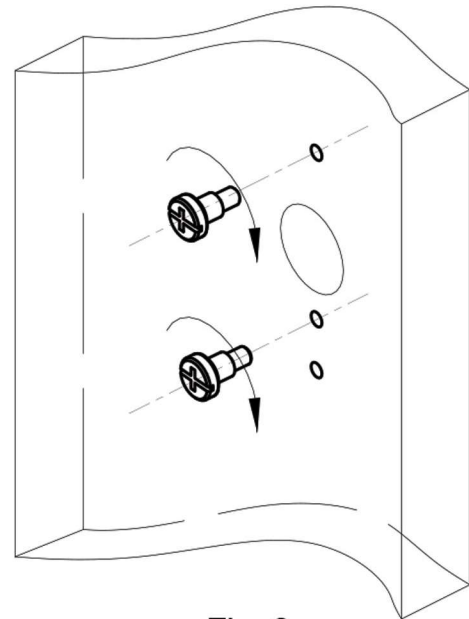


Fig. 3

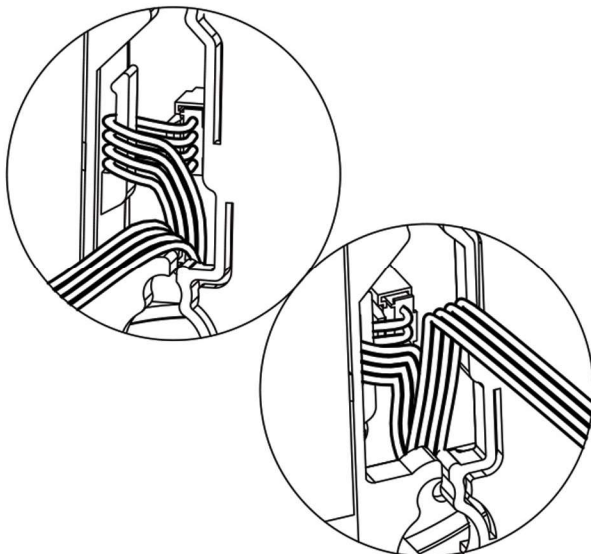


Fig. 4

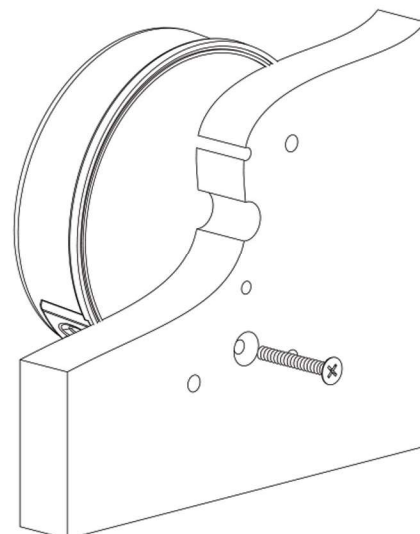


Fig. 5

5. Secure the Entrypad: Install a M4 screw at the bottom from inside safe, as shown. The Entrypad can't be capable of being removed from outside. Proper screw and installation method should be adopted to avoid being interfered with the Springbolt Lock Body. (Fig. 5)
6. Install battery: Make sure to connect the battery correctly at the positive and negative poles. Slide the battery compartment into the bottom of Entrypad, as shown. Push it up until it is in line with or level with the cover. Pull up the latch of the battery compartment until it is tight and secure too. (Fig. 6&7)

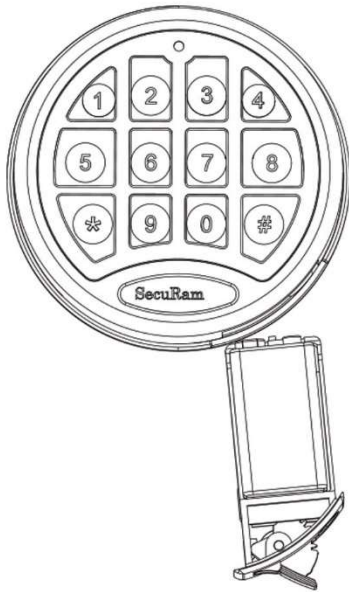


Fig. 6

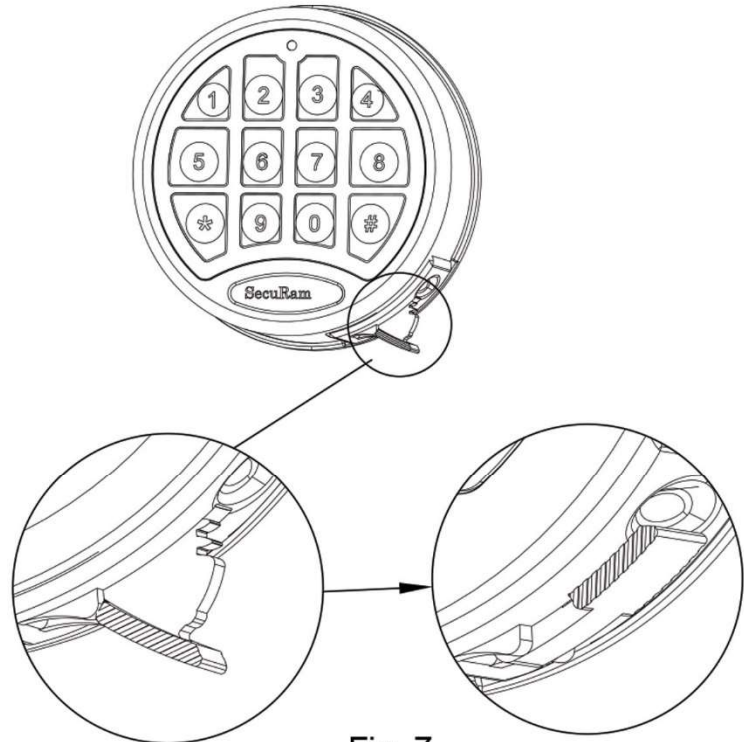


Fig. 7

Dimensions of Entrypad:

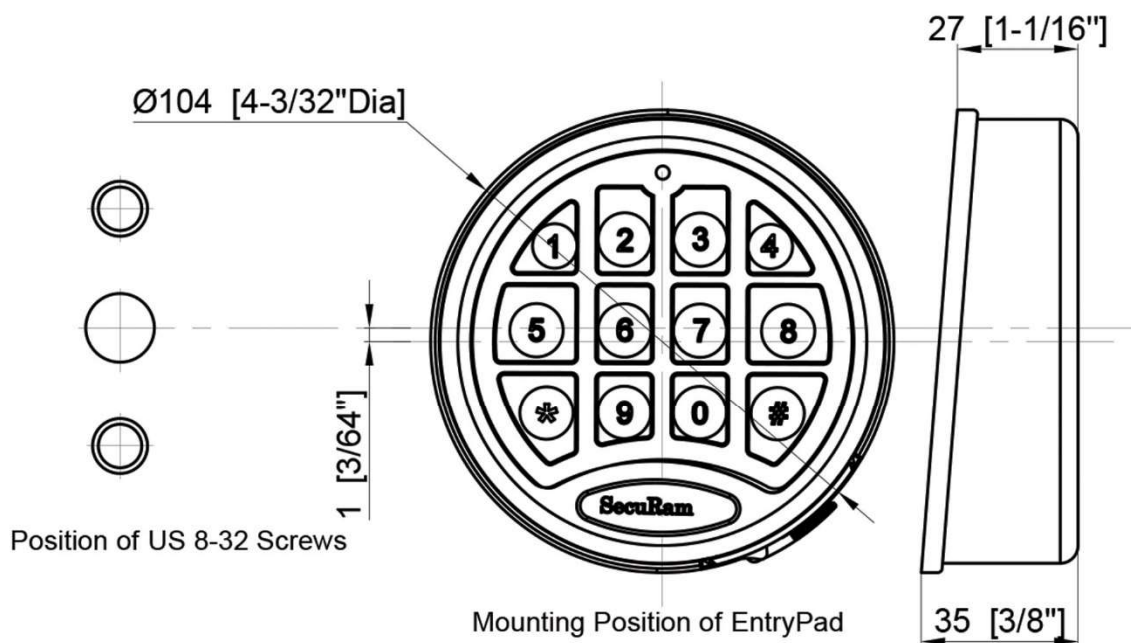


Fig. 8

Install the Springbolt Lock Body:

1. Drill and tap three mounting holes for US 1/4"-20 or M6 on the safe's mounting plate.
2. A heel block is used here as an example to make the springbolt reach the required height, you also en-groove the door frame accordingly. (Fig. 9)
3. Gently pull on the cable to ensure there is no excess cable in the hole and place the cable as shown.
4. Use the three mounting screws provided by the factory to screw down the springbolt to the mounting plate. Make sure that the cable runs in the groove (Fig. 10). Note: The length of the mounting plate here is equal or greater than 450 millimeter ($L=450$ mm), if it is less than 450 millimeter, the distance between the lock and the door frame ($L\#$) can be appropriately increased, and $L1$ and $L2$ can be decreased. $L2-L1 \geq 6.1$ mm (Fig. 9)

Dimensions of Springbolt Lock Body

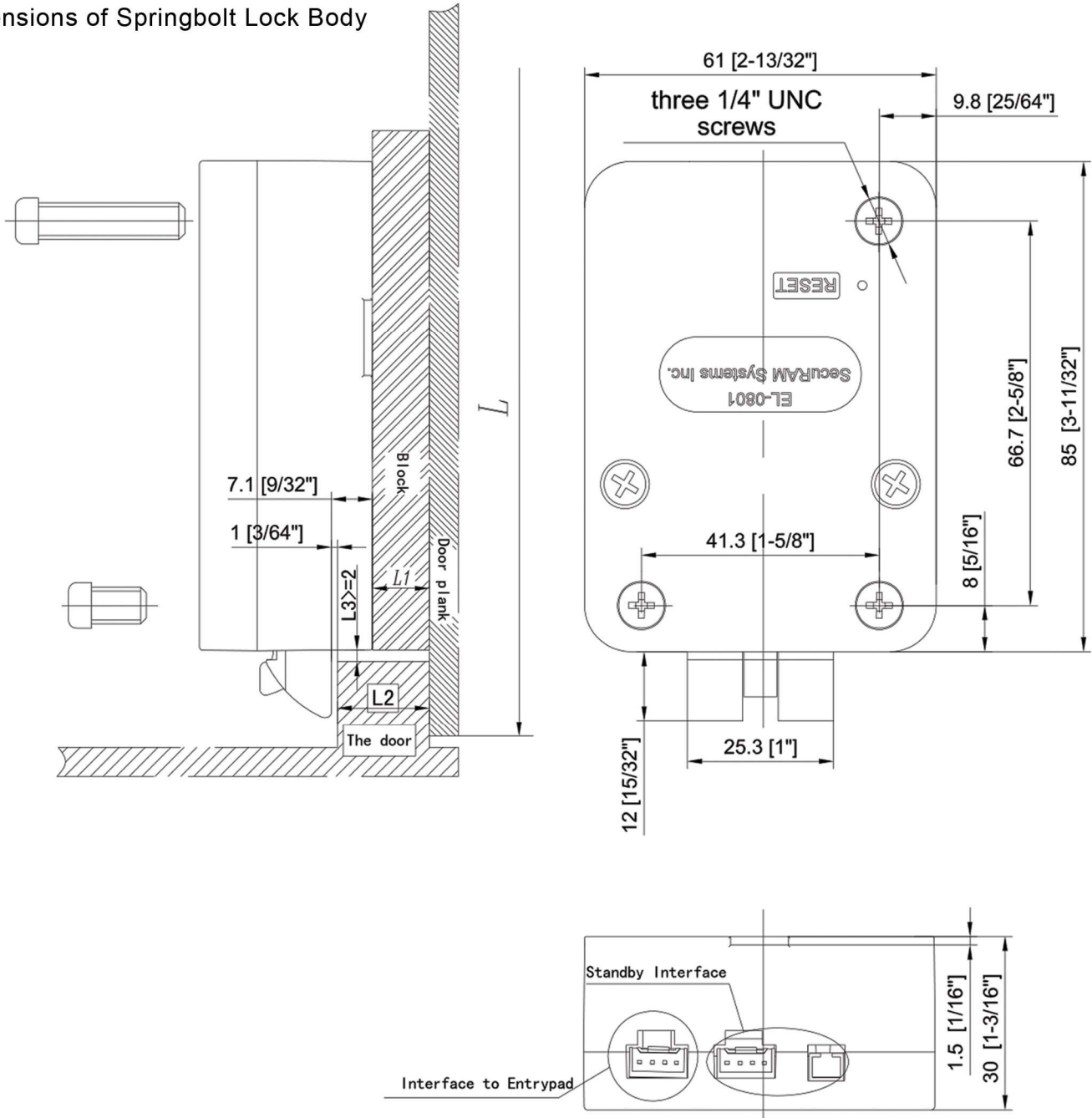


Fig. 9

5. The length of the springbolt extension is 12 millimeters. It is important to leave enough space on the door frame to receive the lock bolt. (Fig. 9)
6. It is also important to make sure there is at least a distance of 2 millimeters between the door frame and the lock when the lock is in a closed position (see L3). (Fig. 9)
7. To make sure there is a distance of 1 millimeter between the door frame and the flat end of lock bolt when the lock is in a closed position. (Fig. 9)
8. Press the connector into the socket on the springbolt lock body. Make sure the connector is secured in place. (Fig. 12)
9. The installation is complete. Do not close the safe door until the controller has been successfully operated at least three times in a row. Refer to the user's manual that were packaged with your controller.

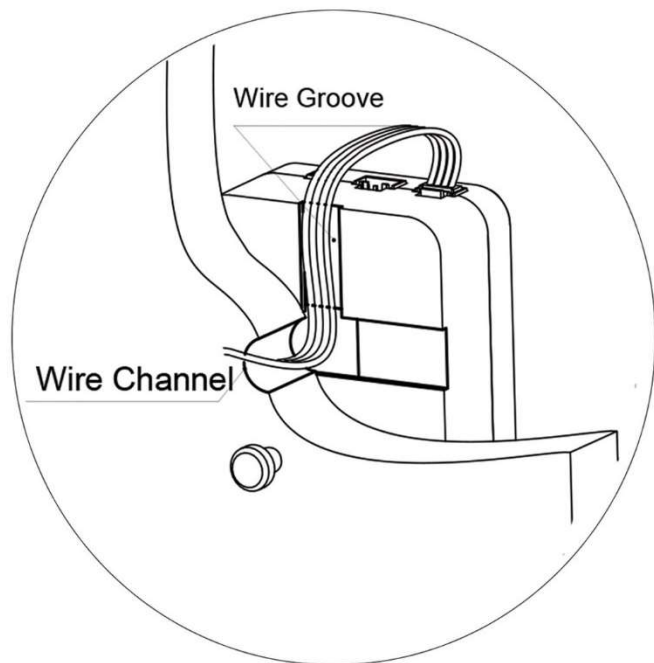


Fig. 10

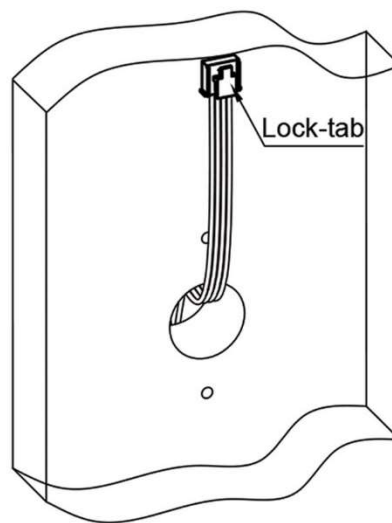


Fig. 11

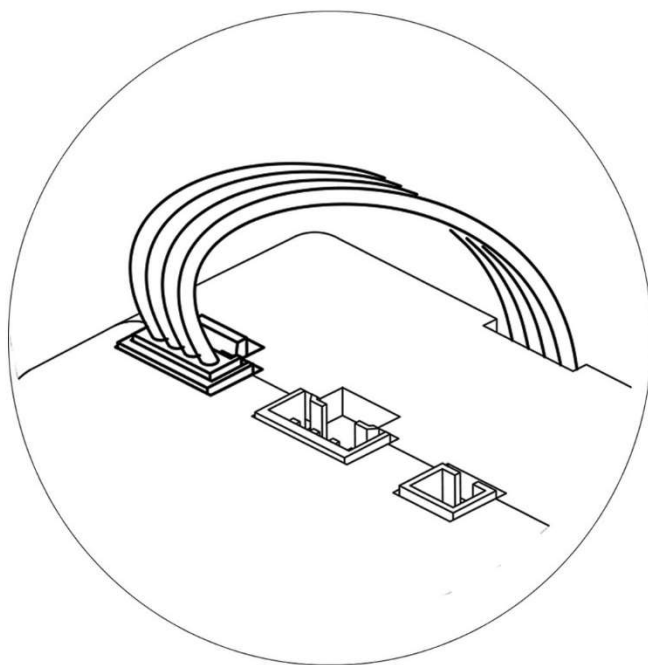


Fig. 12

Springbolt Lock Body Protection:

The Lock Body is designed to be mounted inside a secure container. The container must be constructed to offer protection against destructive burglary attack directed at the actuator. Lock Body protection may include anti-drilling plates, relock devices, relock components, or any combination of these.

Anti-drilling plate is weld between mounting plate and safe's door. Following figured is a recommended protection by anti-drilling plate.(Fig. 13)

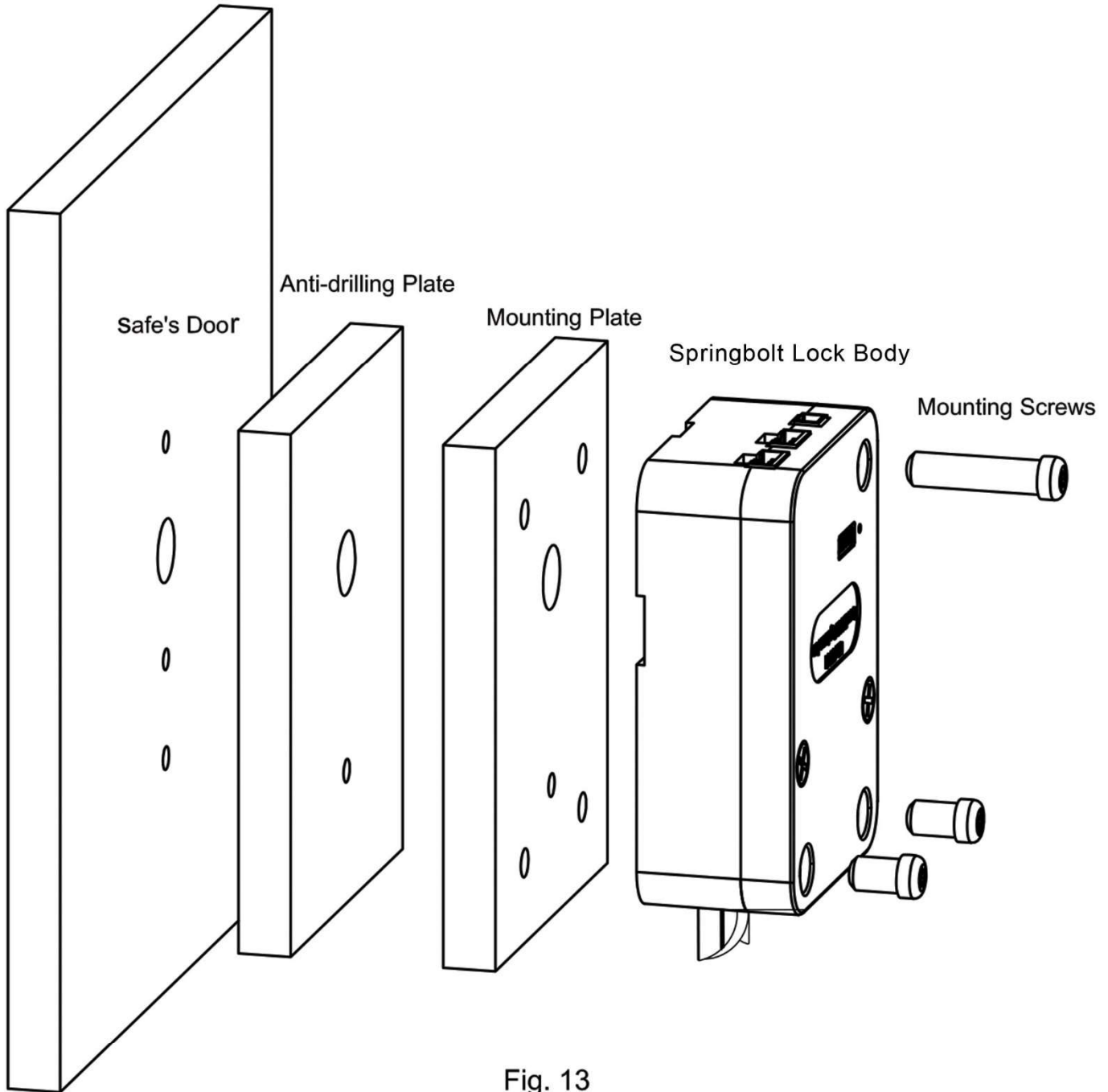


Fig. 13

Specifications:

1. Dimensions of the bolt head: 12mm (Fig. 9)
2. Blocking feature movement of the bolt head or blocking component force which can be exerted by the bolt head or blocking component for at least 10000 cycles: 2.5N
3. Strength in side load: =1KN
4. Strength in end load test when thrown out: =1KN