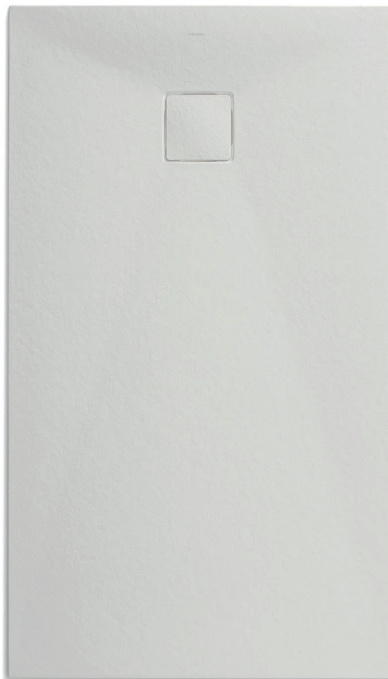
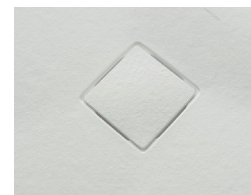


Meseta Pan Technical Specifications

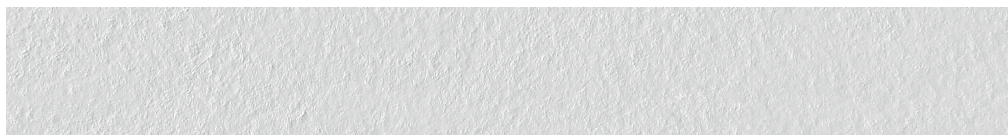


- Hansel Stone Mineral Composite Stone
- Made in Europe
- Designed in Europe
- Anti-slip class 3 PN24
- Bacteria resistant
- Easy installation
- Repairable
- Can be cut
- Lifetime guarantee (subject to t&c's)



TEXTURA

TEXTURE / TEXTURE / TEXTURE

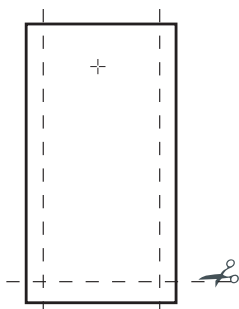
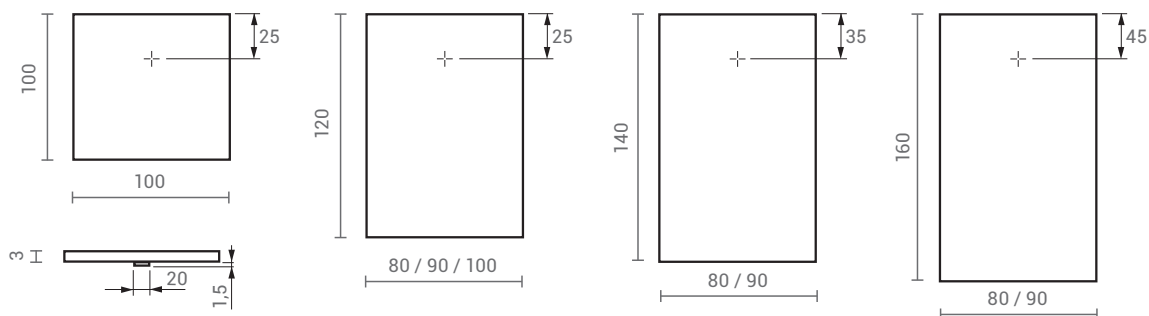


STONE

All measurements shown in cm

MEDIDA ESTÁNDAR (CM)

STANDARD SIZE / MESURES STANDARD / MISURE STANDARD



PESOS / WEIGHTS /
POIDS / PESI

100x100	54,06 kg
120x80	51,14 kg
120x90	57,63 kg
120x100	64,12 kg
140x80	60,68kg
140x90	68,26 kg
160x80	69,25kg
160x90	78,09 kg