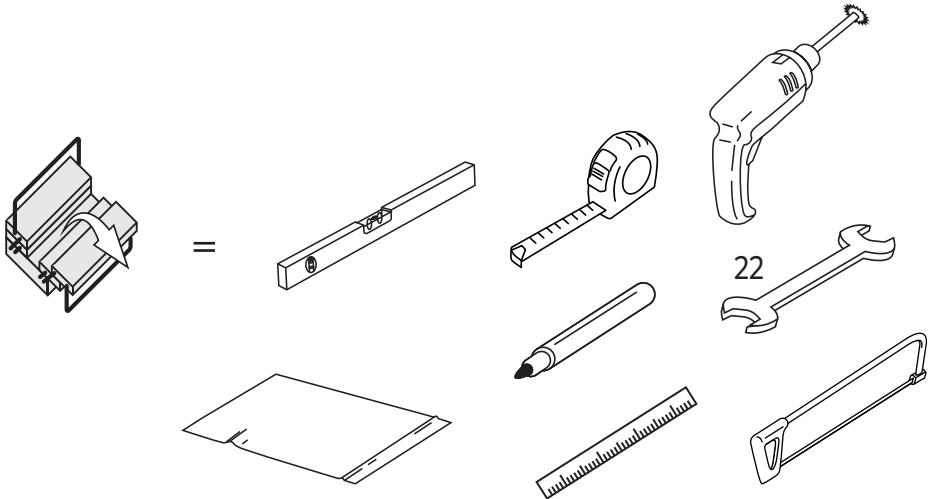
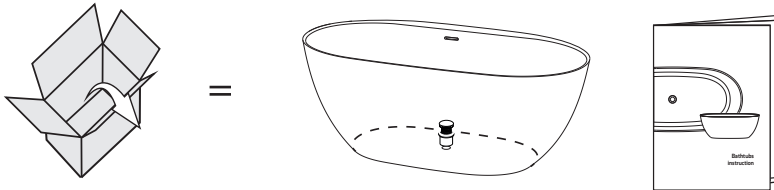
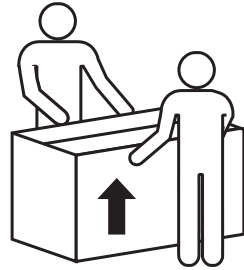


# BATHTUBS

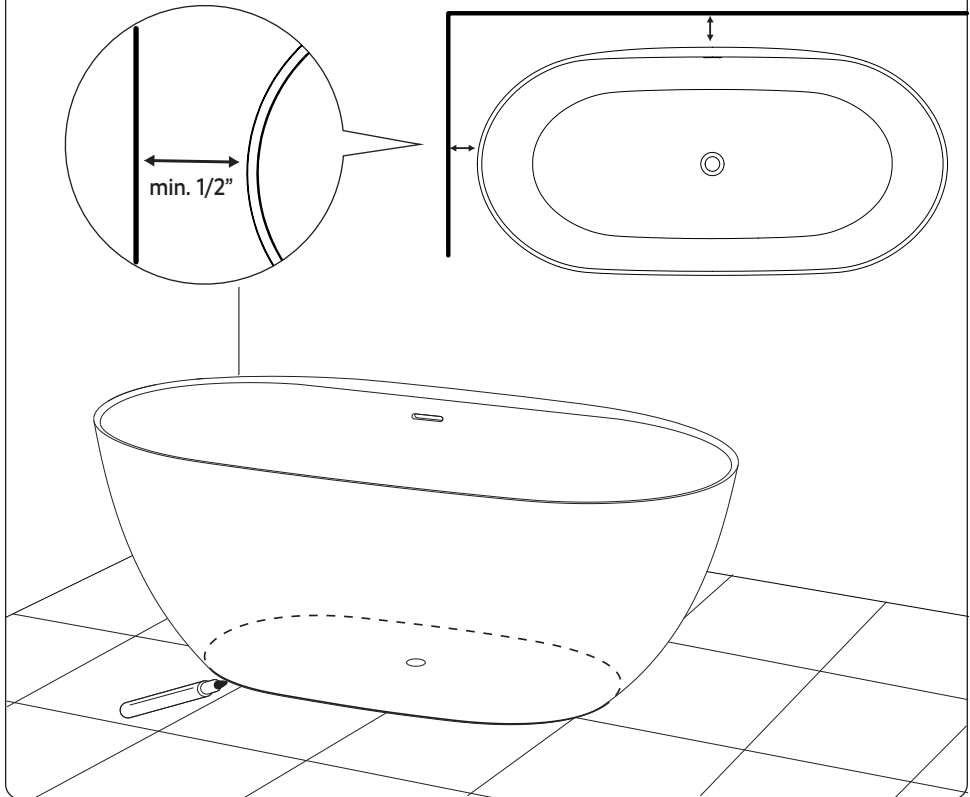
installation instruction



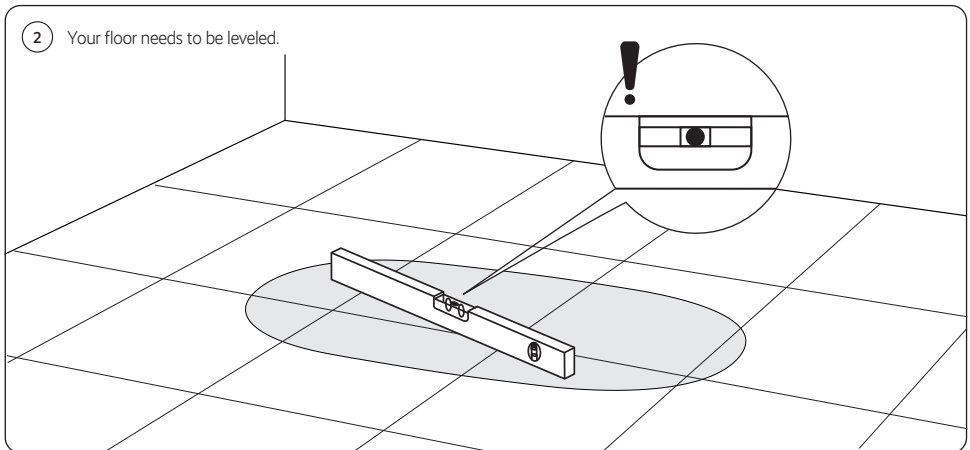
Installation instructions for qualified fitters. After the installation, please pass these instructions to the end-user. In case of a claim, the installation and disassembly costs shall not be covered by the warranty. The warranty shall be valid provided that the product has been installed in accordance with these instructions.



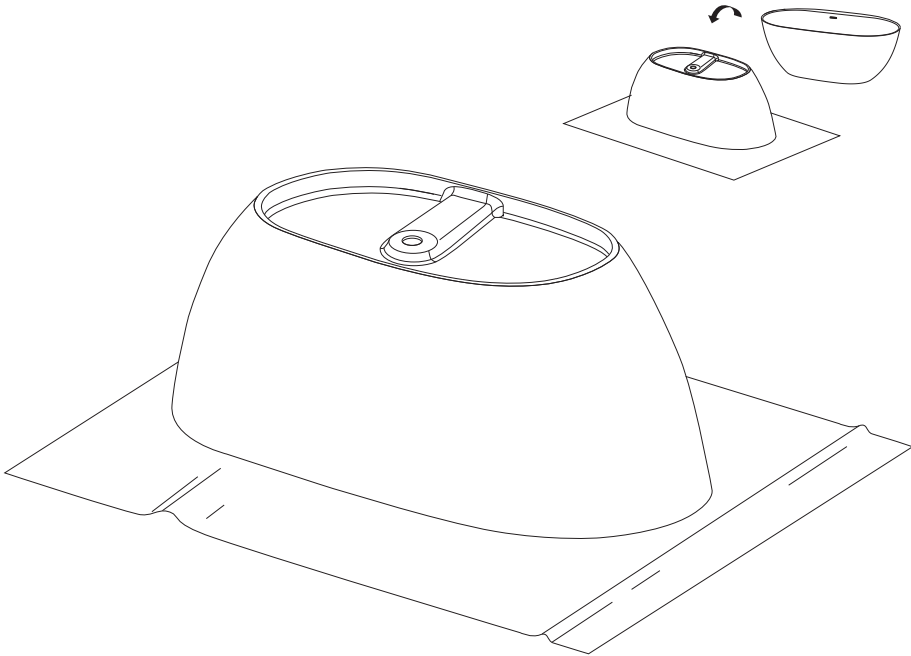
- 1 Set the tub in the desired location and mark the drain hole location on the floor. Then, move the tub away from the desired installation location so that the plumbing can be installed. Bathtub should be placed at least 1/2 inch away from walls.



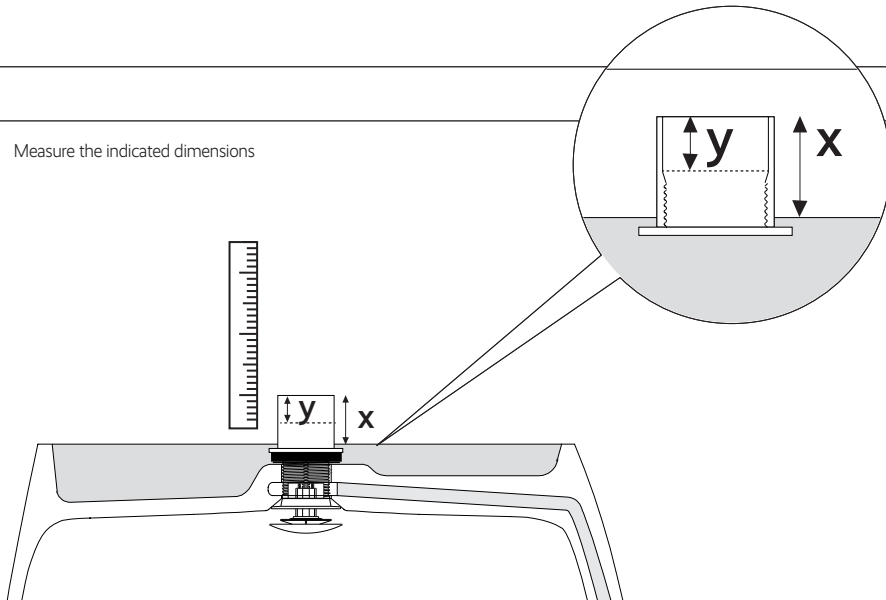
- 2 Your floor needs to be leveled.



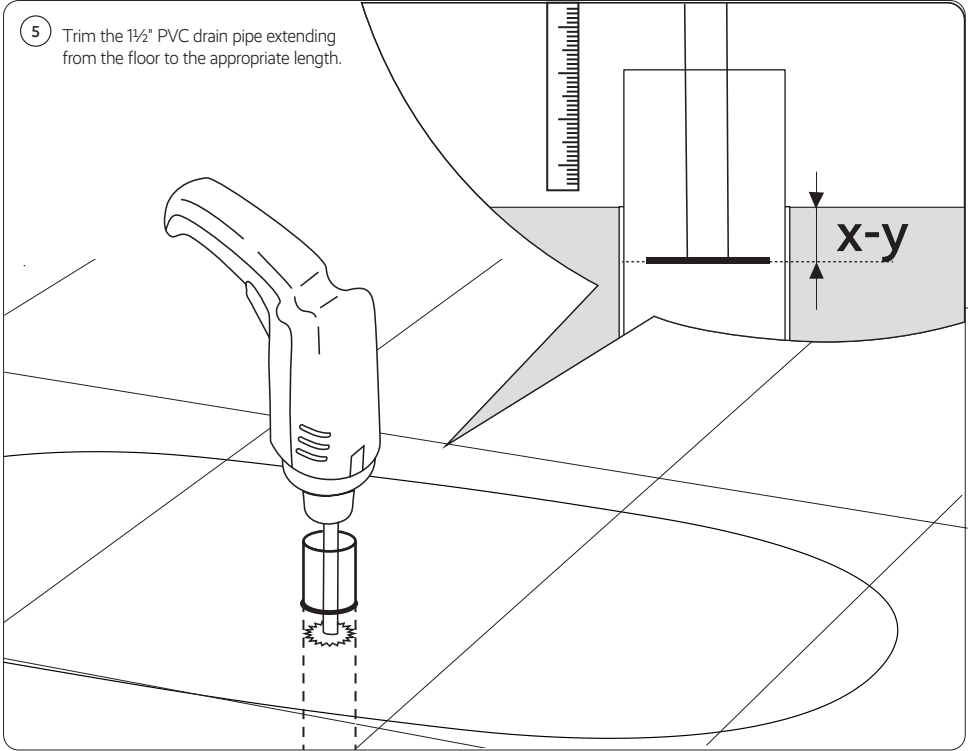
- 3 Turn bathtub upside down and rest it on a moving blanket, cardboard, or other soft surface to prevent scratching the rim. Use caution when turning the bathtub upside down, as the product may be heavy and may require assistance to rotate.



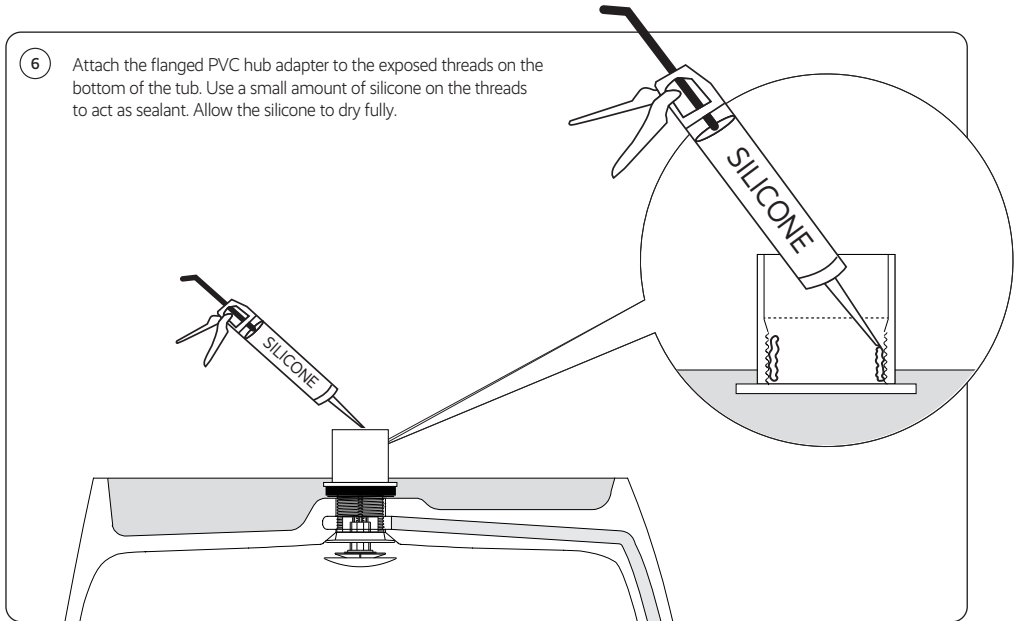
- 4 Measure the indicated dimensions



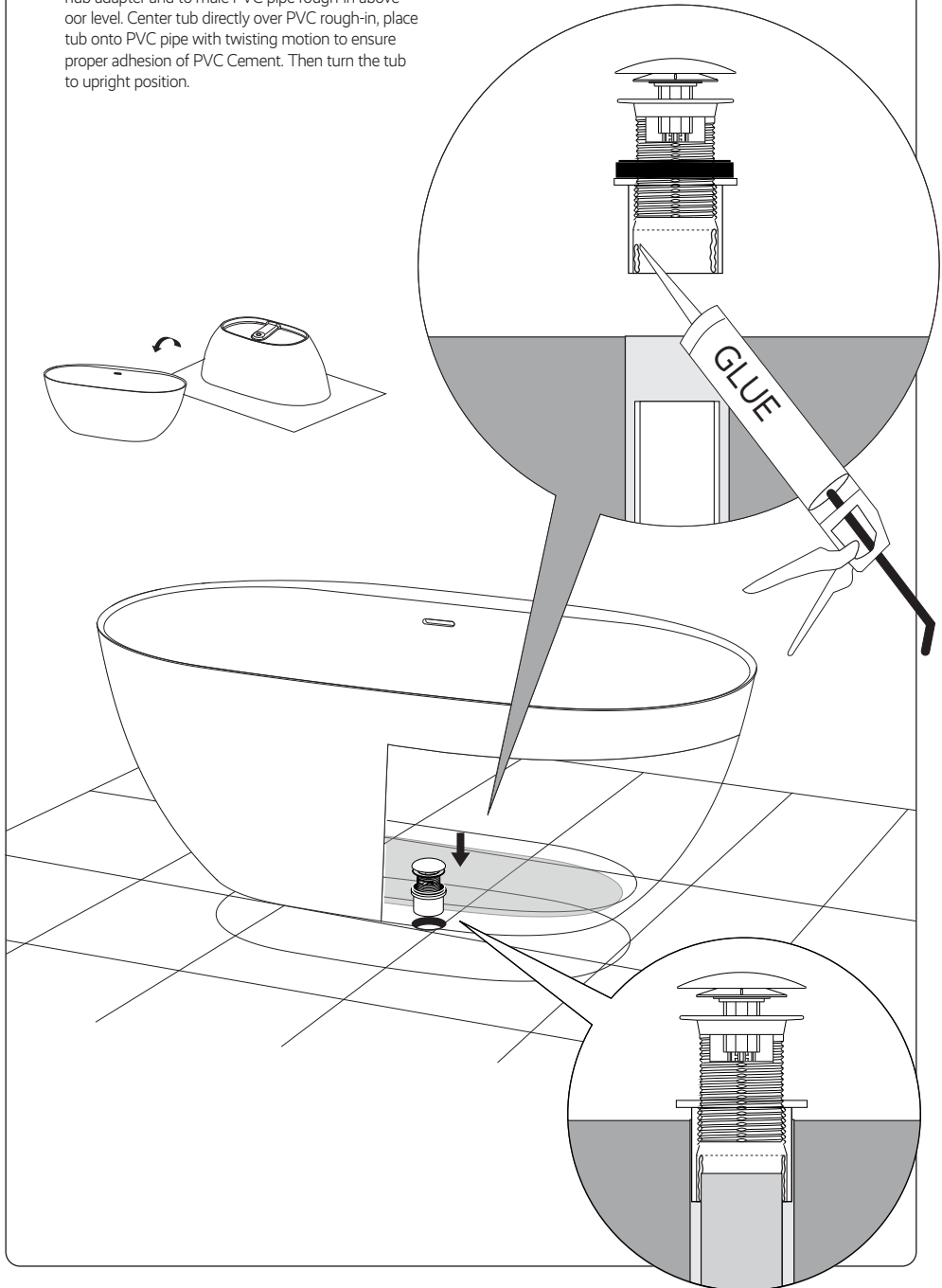
- 5 Trim the 1½" PVC drain pipe extending from the floor to the appropriate length.



- 6 Attach the flanged PVC hub adapter to the exposed threads on the bottom of the tub. Use a small amount of silicone on the threads to act as sealant. Allow the silicone to dry fully.



- 7 Apply PVC primer and cement to the female end of hub adapter and to male PVC pipe rough-in above floor level. Center tub directly over PVC rough-in, place tub onto PVC pipe with twisting motion to ensure proper adhesion of PVC Cement. Then turn the tub to upright position.

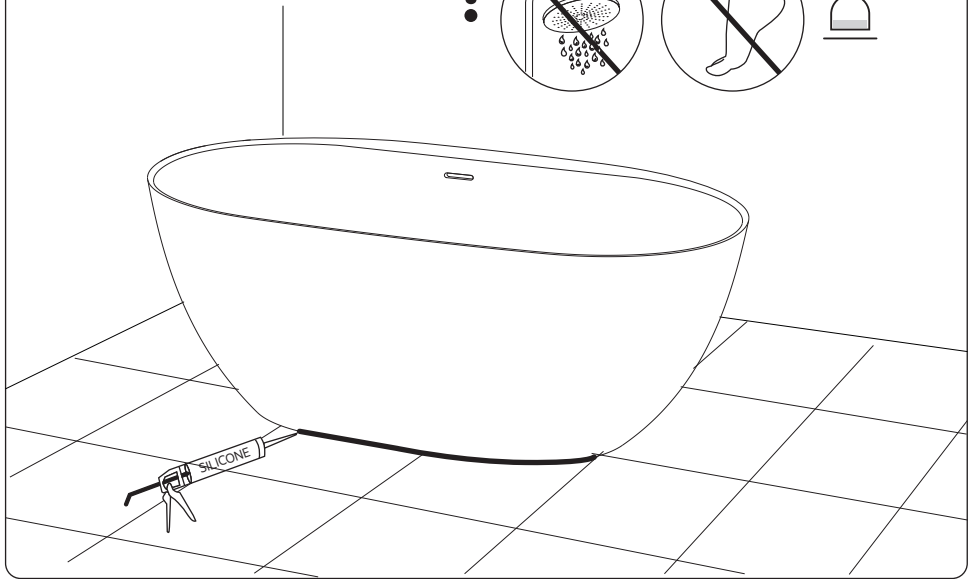


8

For esthetic purposes you can finish your installation by running a bead of neutral cure silicone sealant around the base of the tub where it meets the floor but it's unnecessary for proper installation.



24h



103600000485