

PBF31 - ANSI 300 Stainless Steel 316 Flange Ball Valve

Characteristics:

Body 2 pieces 316 Stainless Steel

Assembly for ISO 5211 actuator

Working Pressure 300LB Working Pressure

Working temperature -20°C to 180°C

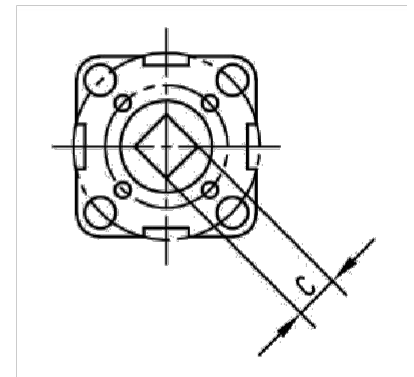
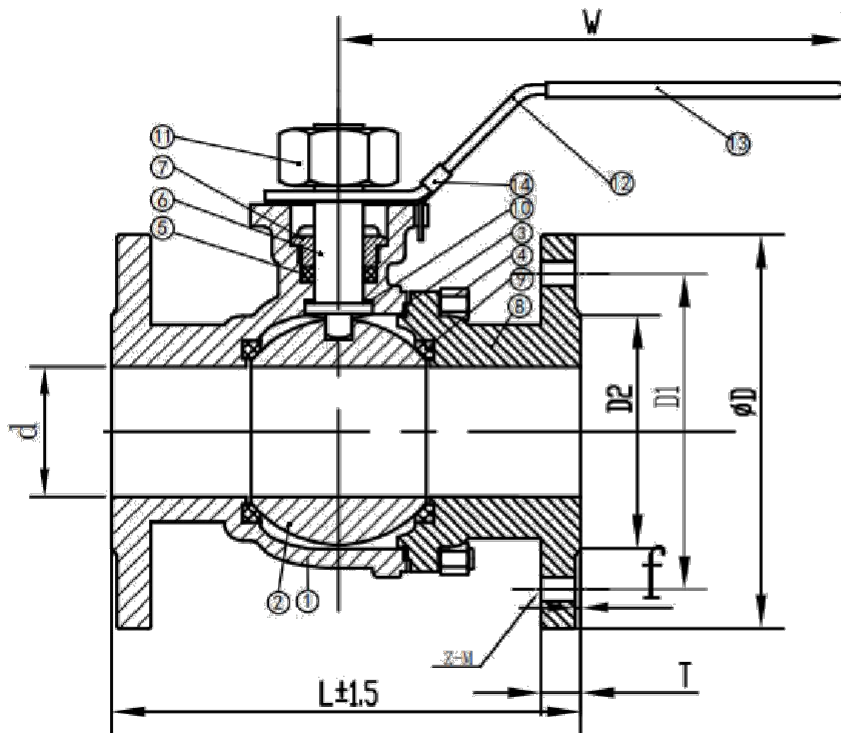
Inspection and Testing API598 JB/T9092

Explosion proof stem

Design under ASME B16.34



Technical Drawing:



Materials:

No.	PART NAME	MATERIAL	QTY
1	BODY	CF8M	1
2	BALL	SS316	1
3	GASKET	RPTFE	1
4	NUT	S304	4-12
5	PACKING	RPTFE	1
6	STEM	SS316	1
7	GLAND	SS304	1
8	CAP	CF8M	2
9	SEAT	RPTFE	2
10	THRUST WASHER	RPTFE	1
11	NUT	SS304	1
12	HANDLE	SS201	1
13	HANDLE COVER	PVC	1
14	LOCK	SS201	1

Dimensions:

DN	d	D	D1	D2	T	f	L+/- 1.5	Z-M	F
15	15	95	66.7	34.9	14.7	2	108	4- ø 15.9	9
20	20	115	82.6	42.9	16.3	2	117	4- ø 19.1	9
25	25	125	88.9	50.8	17.9	2	127	4- ø 19.1	11
32	32	135	98.4	63.5	19.5	2	140	4- ø 19.1	11
40	40	155	114.3	73	21.1	2	165	4- ø 22.3	14
50	50	165	127	92.1	22.7	2	178	8- ø 19.1	14
65	65	190	149.2	104.8	25.9	2	190	8- ø 22.3	17
80	80	210	168.3	127	29	2	203	8- ø 22.3	17
100	100	255	200	157.2	32.2	2	229	8- ø 22.3	17
125	125	280	235	185.7	35.4	2	356	8- ø 22.3	22