



SHOWN IN SBLC OLD WORLD FINISH

THE TORCHIERE SCONCE

A TRADITIONAL TORCHIERE ARM MOUNT LIGHT FIXTURE, IN HAND-HAMMERED WROUGHT IRON AND FINISHED IN A RICH OLD WORLD FINISH. TWO RECTANGULAR BACKPLATES AND SEMI-SCROLLED ARMS SUPPORT THIS LONG, TAPERED SCONCE. ONE MEDIUM BASE SOCKET SCONCE. HEIGHT IS FROM BOTTOM OF FIXTURE TO TOP OF THE CANDLE SLEEVE AND INCLUDES FIRE TIP LED BULB. HAND FORGED IN HEAVY GAUGE IRON.

FINISH OPTIONS

STANDARD FINISHES	SBLC GREY	SBLC BLACK	SBLC BROWN
PREMIUM FINISHES	SBLC OLD WORLD		

CONFIGURATION

- ETL LISTING OPTIONS AVAILABLE
- MAX WATTAGE: 60

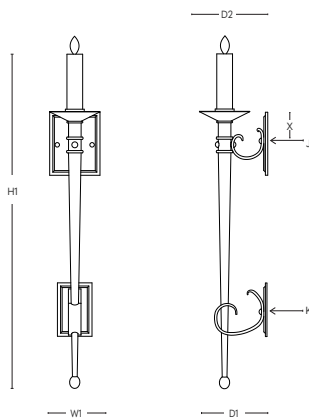
AVAILABLE OPTIONS

ZINC PROTECTIVE COATING - WE RECOMMEND ZPC AS AN OPTION FOR ALL EXTERIOR LANTERNS. ZPC IS A SPECIALIZED METALIZING PROCESS, A PROTECTIVE ZINC LAYER IS ADDED TO ENSURE PROTECTION AND DURABILITY AGAINST CORROSION AND HARSH WEATHER CONDITIONS.

LEAD TIME

LEAD TIMES VARY, PLEASE CHECK WEBSITE OR CONTACT A SBLC TEAM MEMBER FOR CURRENT LEAD TIMES.

ARM MOUNT



DIMENSIONS

SBLC-91-WS

	H1	W1	D1	D2	X
STANDARD	25.5	4	5.75	5.75	2.50

Backplate: 4W X 5H

J - Junction Box
K - Added Bracket Location

NOTES: Please inquire for more details. All lanterns are handmade and made to order in Southern California. Dimensions may vary slightly.