



SHOWN IN SBLC GREY FINISH WITH SBLC ANTIQUE GLASS

THE KIRSTEN

THE KIRSTEN PENDANT IS THE RESULT OF A COLLABORATION WITH LA DESIGNER KIRSTEN MALTAS, CREATED FOR THE SPACIOUS KITCHEN IN A BEAUTIFUL SOCIAL RESIDENCE. THIS CLASSIC LANTERN FEATURES A TAPERED SHAPE, GLASS ROOF AND EMBELLISHED TOP. WITH ANTIQUE GLASS AND 4 CANDELABRA SOCKETS. HAND FORGED IN HEAVY GAUGE WROUGHT IRON.

FINISH OPTIONS

STANDARD FINISHES	SBLC GREY	SBLC BLACK	SBLC BROWN
PREMIUM FINISHES	SBLC DARK ZINC	SBLC OLD WORLD	

GLASS OPTIONS

STANDARD GLASS	SBLC CLEAR			
PREMIUM GLASS	SBLC ANTIQUE	SBLC ETCHED	SBLC ICED	SBLC SEEDED

CONFIGURATION

- ETL AND UL LISTING OPTIONS AVAILABLE
- HIGH EFFICACY RATED OPTIONAL
- MAX WATTAGE: 60
- DARK SKY COMPLIANT AVAILABLE WITH DS LAMPING WITH ETCHED OR ICED GLASS

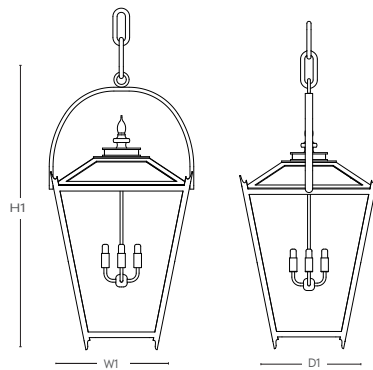
AVAILABLE OPTIONS

ZINC PROTECTIVE COATING - WE RECOMMEND ZPC AS AN OPTION FOR ALL EXTERIOR LANTERNS. ZPC IS A SPECIALIZED METALIZING PROCESS, A PROTECTIVE ZINC LAYER IS ADDED TO ENSURE PROTECTION AND DURABILITY AGAINST CORROSION AND HARSH WEATHER CONDITIONS.

LEAD TIME

LEAD TIMES VARY, PLEASE CHECK WEBSITE OR CONTACT A SBLC TEAM MEMBER FOR CURRENT LEAD TIMES.

PENDANT



DIMENSIONS

SBLC-30-PD

	H1	W1	D1	D2	X
STANDARD	24.5	12.5	12.5	—	—
LARGE	30	15.75	15.75	—	—
X-LARGE	36	19	19	—	—

NOTES: Also available as a post mount. Pendant includes a 36" chain and canopy. Please inquire for more details. All lanterns are handmade and made to order in Southern California. Dimensions may vary slightly.