

Tools Recommended

EN_IMPORTANT, RETAIN FOR FUTURE REFERENCE: READ CAREFULLY.

EN

Dear customer,

Thank you for purchasing this product. So that your appliance serves you well, please read all the instructions in this user's manual. If you have any questions, please contact our customer care center, Our contact details are below:

FR

Cher client,

Nous vous remercions d'avoir acheté ce produit. Afin que vous puissiez profiter pleinement de votre appareil, veuillez lire toutes les instructions de ce manuel d'utilisation. Si vous avez la moindre question, veuillez contacter notre centre d'assistance à la clientèle, Nos coordonnées sont les suivantes:

DE

Sehr geehrter Kunde,

Vielen Dank, dass Sie dieses Produkt erworben haben. Damit Ihr Gerät Ihnen gute Dienste leistet, lesen Sie bitte alle Hinweise in diesem Benutzerhandbuch. Wenn Sie Fragen haben, wenden Sie sich bitte an unser Kundendienstzentrum, Unsere Kontaktdaten stehen unten:

ES

Queridos clientes,

Gracias por comprar este producto. Para que su electrodoméstico le sirva mejor, lea todas las instrucciones de este manual del usuario. Si tiene alguna pregunta, comuníquese con nuestro Centro de Atención al Cliente, Nuestros datos de contacto son los siguientes:

PT

Caros clientes,

Obrigado por adquirir este produto. Para que o seu aparelho o sirva melhor, leia todas as instruções deste manual do utilizador. Se tiver alguma dúvida, por favor contacte o nosso Centro de Atendimento ao Cliente, Os nossos dados de contacto são os seguintes:

IT

Caro Cliente,



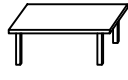




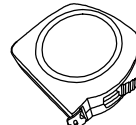
Grazie per aver acquistato questo prodotto. Per servirti meglio con questo apparecchio ti prego di leggere tutte le istruzioni in presente manuale utente. In caso di dubbio, si prega di contattare il nostro centro assistenza clienti, I nostri dettagli di contatto sono di seguito:

BOX-1	
EP2	8
EP3	2
EFU1	1
EFU3	1
EFU6	1
EFU8	1
EFB1	1
EFB3	1
EFB6	1
EFB8	1
FM2	1
EBF2	1
EDF2	1
EDF3	1
EDF4	1
EDF5	1
EFU4	2
EFU5	2
EFB4	4
ET1	1
ET2	1
ET3	1
EL2	4
EV3	2
EV4	2
EV1	2
EV2	1
EVJ1	2
BS5	4
BS4	4
BS6	2
BSM	4
Hardware Kit	

BOX-2	
EP1	21
EDP1	2
EDP2	2
EGL1	2
EGR1	2

BOX-3	
EPT1	22
EFU2	1
EFU7	1
ER1	11
EFB2	1
EFB7	1
FM1	4
FM4	4
EDT1	4
ED1	4
ED2	2
EL1	4
EL3	2
EF1	32

Required tools:

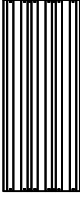
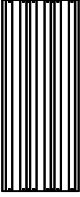
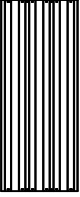
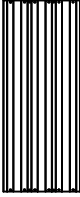
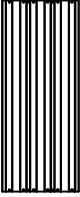
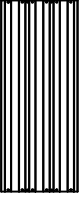
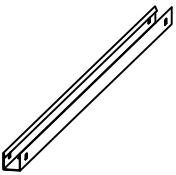
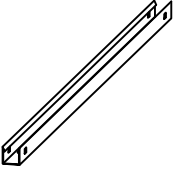
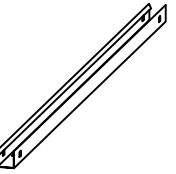
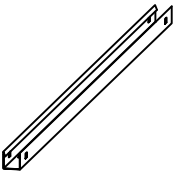
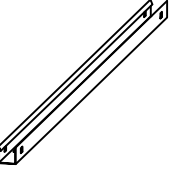
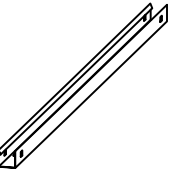
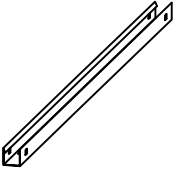
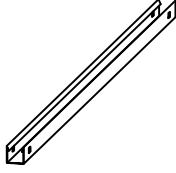
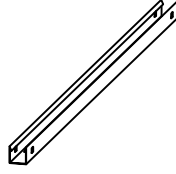
Tools				
	Gloves	Safety Glasses	Table	Ladder
				
	Power drill	Screw driver	Pencil	Tape Measure

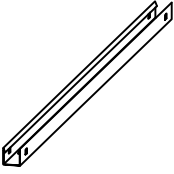
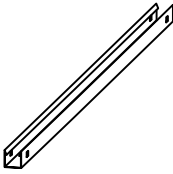
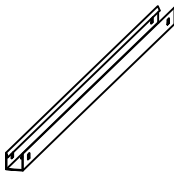
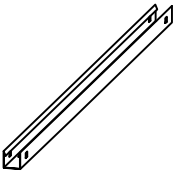
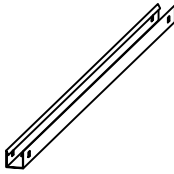
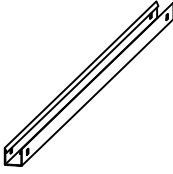
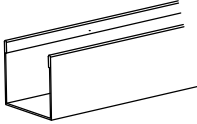
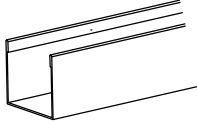
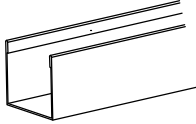
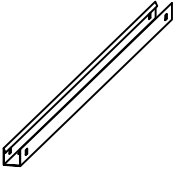
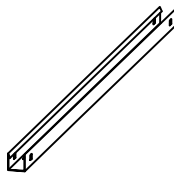
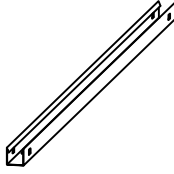
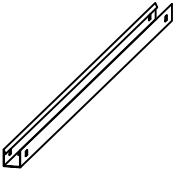
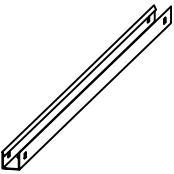
Tips:

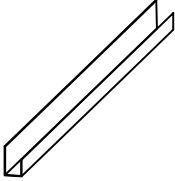
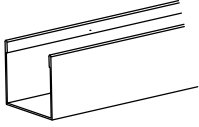
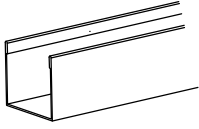
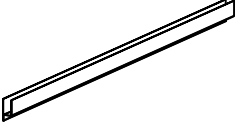
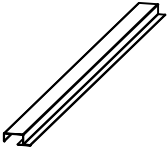
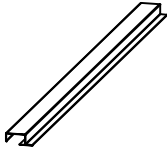
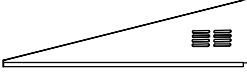
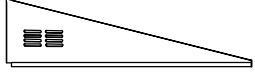
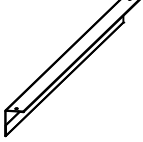
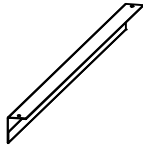
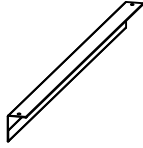
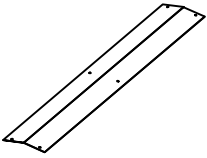
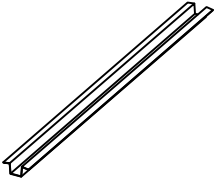
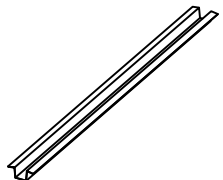
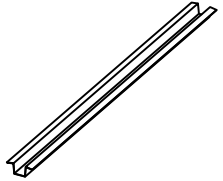
1. Clear a working area to allow access on 4 sides. A raised work surface will make assembly easier, it is easier to install the wall panel on the table.
2. All parts are identified so when working through the instructions page by page the diagrams show where each part is positioned.
3. Most pre-punched holes need to be fixed with self-tapping screws, and a few holes need to use self-drilling screws.
4. Before starting, to avoid any accidental injury, we recommend the use of gloves to protect your hands, safety glasses to protect your eyes and shoes or boots to protect your feet.
5. Please keep children away from your construction site.
6. Most assembly can be completed by one person, assistance may be needed when you reach the erection stage.
7. Please note: Some local government authorities have rules & regulations on shed installation and you may need approval to erect this shed.

Steps:

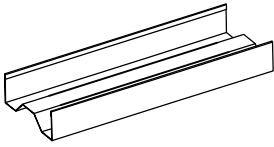
1. Unpack all components from the carton and lay outside your work area and check parts against the part list.
2. Work through assembly instructions page by page.
3. When assembly completed, place the shed in position and fix anchor to the ground.
4. Clean up all metal pieces and screws.

 EPT1 x22	 EP1 x21	 EP2 x08
 EP3 x02	 EDP1 x02	 EDP2 x02
 EFU1 x01	 EFU2 x01	 EFU3 x01
 EFU4 x02	 EFU5 x02	 EFU6 x01
 EFU7 x01	 EFU8 x01	 EFB1 x01

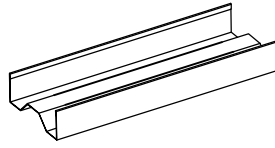
 EFB2 ×01	 EFB3 ×01	 EFB4 ×04
 EFB6 ×01	 EFB7 ×01	 EFB8 ×01
 FM1 ×04	 FM2 ×01	 FM4 ×04
 EBF2 ×01	 EDF2 ×01	 EDF3 ×01
 EDF4 ×01	 EDF5 ×01	

 <p>EDT1 x04</p>	 <p>ED1 x04</p>	 <p>ED2 x02</p>
 <p>ET1 x01</p>	 <p>ET2 x01</p>	 <p>ET3 x01</p>
 <p>EGL1 x02</p>	 <p>EGR1 x02</p>	 <p>EL1 x04</p>
 <p>EL2 x04</p>	 <p>EL3 x02</p>	 <p>ER1 x11</p>
 <p>EVJ1 x02</p>	 <p>EV1 x02</p>	 <p>EV2 x01</p>

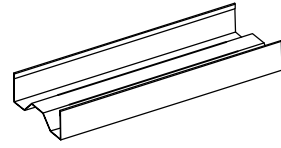
BS5 x04



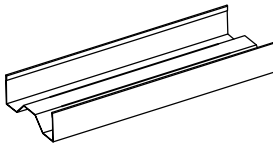
BS4 x04



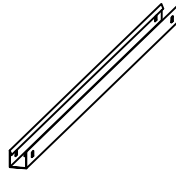
BS6 x02




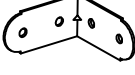
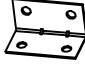


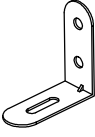

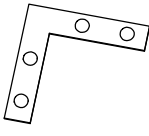
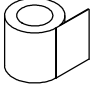


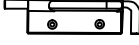
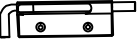
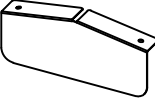
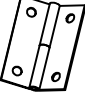
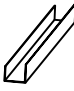
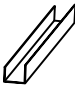
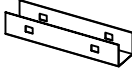
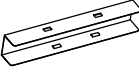

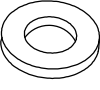
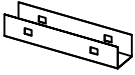

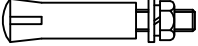
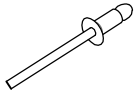


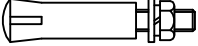
BSM x04



EF1 x32



HARDWARE

<p>EG1 ×08</p> 	<p>C2 ×06</p> 	<p>C3 ×04</p> 	<p>C6 ×20</p> 
<p>C7 ×09</p> 	<p>C8 ×04</p> 	<p>C20 ×02</p> 	<p>C23 ×04</p> 
<p>Waterproof tape ×01</p> 	<p>L3 ×118</p> 	<p>H1 ×01</p> 	<p>H2 ×01</p> 
<p>H3 ×01</p> 	<p>ELG ×02</p> 	<p>SH3 ×06</p> 	<p>EV3 ×02</p> 
<p>EV4 ×02</p> 	<p>EJ1 ×12 white</p> 	<p>J3 ×02</p> 	<p>S3 ×438 +2(spare)</p> 
<p>S5 ×136</p> 	<p>EJ1 ×16 black</p> 	<p>S10 ×98 +2(spare)</p> 	<p>S11 ×13</p> 
<p>S7 ×08 +2(spare)</p> 	<p>S16 ×08 +2(spare)</p> 	<p>S10 ×98 +2(spare)</p> 	<p>S11 ×13</p> 

S18 x54
+2(spare)



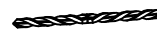
S19 x26
+2(spare)



Lock x01



Drill bit x01



Gloves

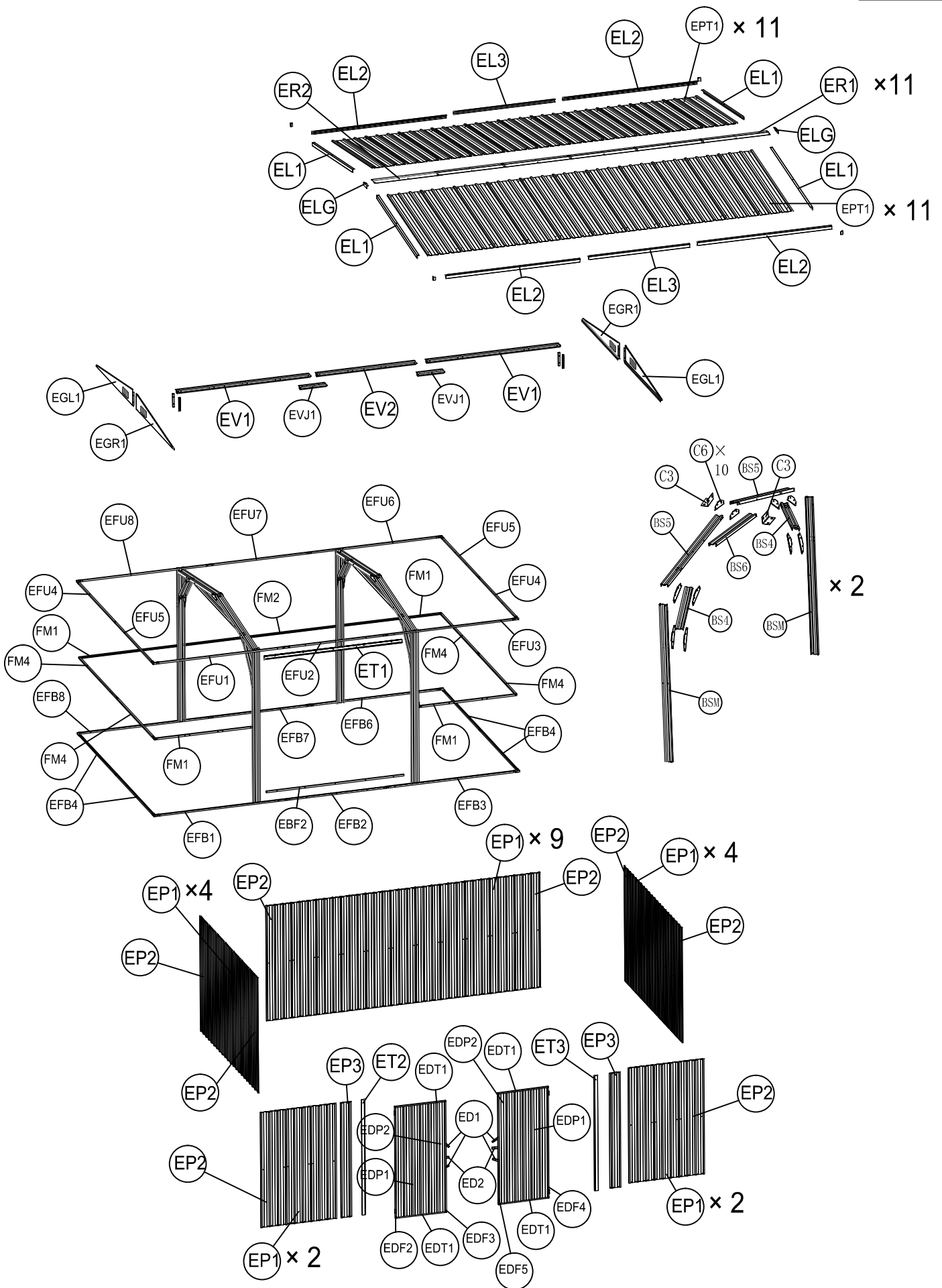


LB x04



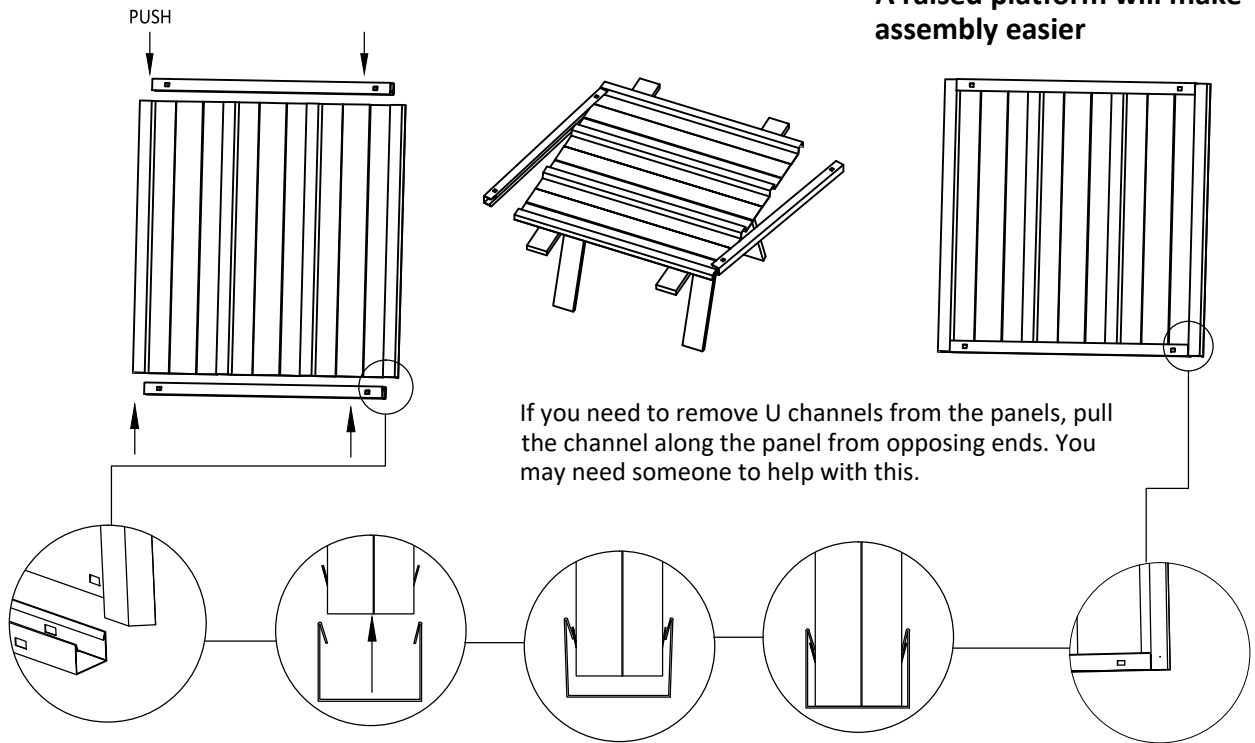
ED3 x01





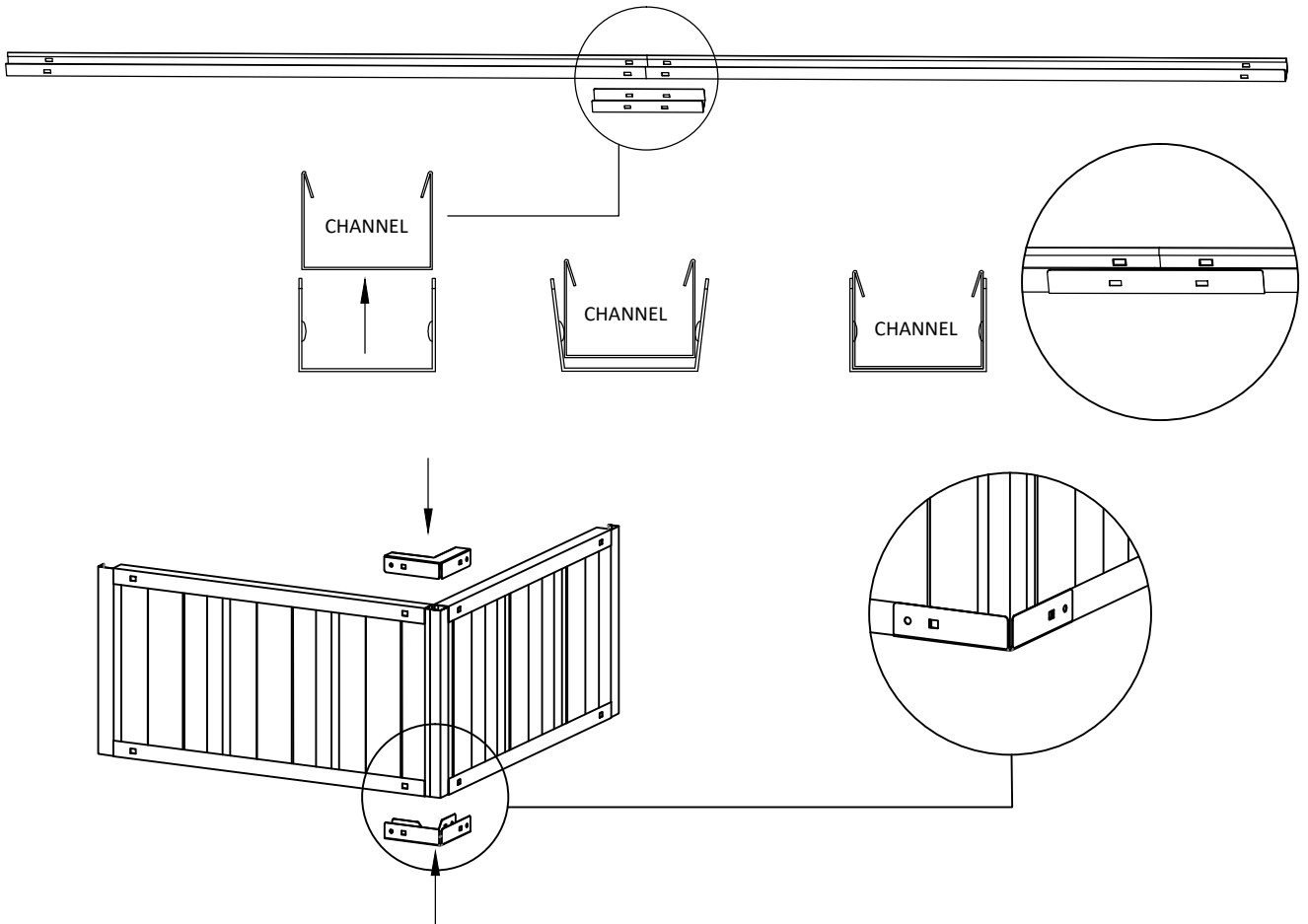
Position U channel over one end of the joined sheets, working from one end push channel down to clip onto sheets, continue to the end of the channel pushing as you go.

A raised platform will make assembly easier



If you need to remove U channels from the panels, pull the channel along the panel from opposing ends. You may need someone to help with this.

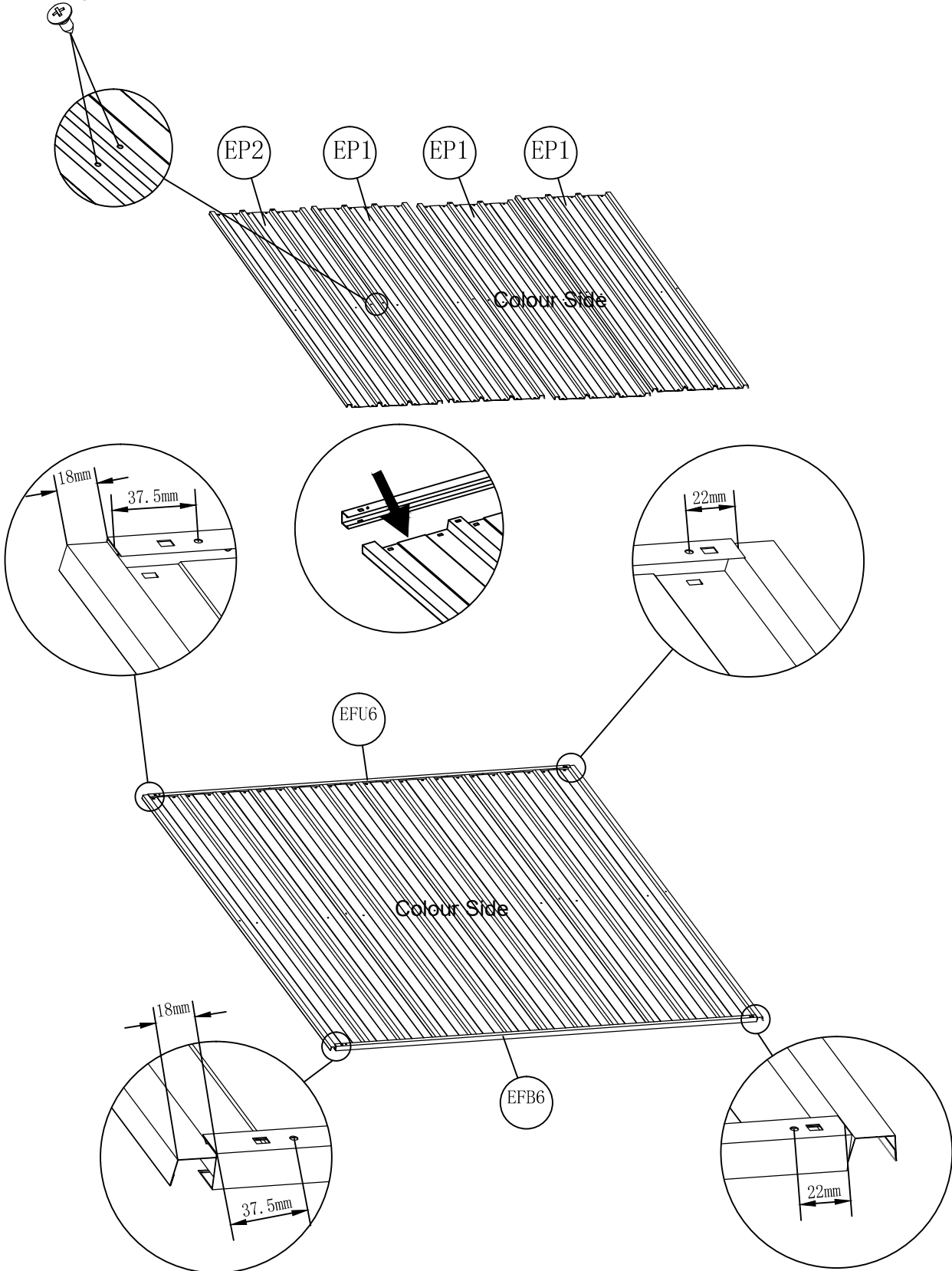
HOW TO JOIN CHANNELS (where needed)







PART A

	EP1	3		EP2	1		EFU6	1		EFB6	1		S3	3
---	-----	---	---	-----	---	---	------	---	---	------	---	---	----	---

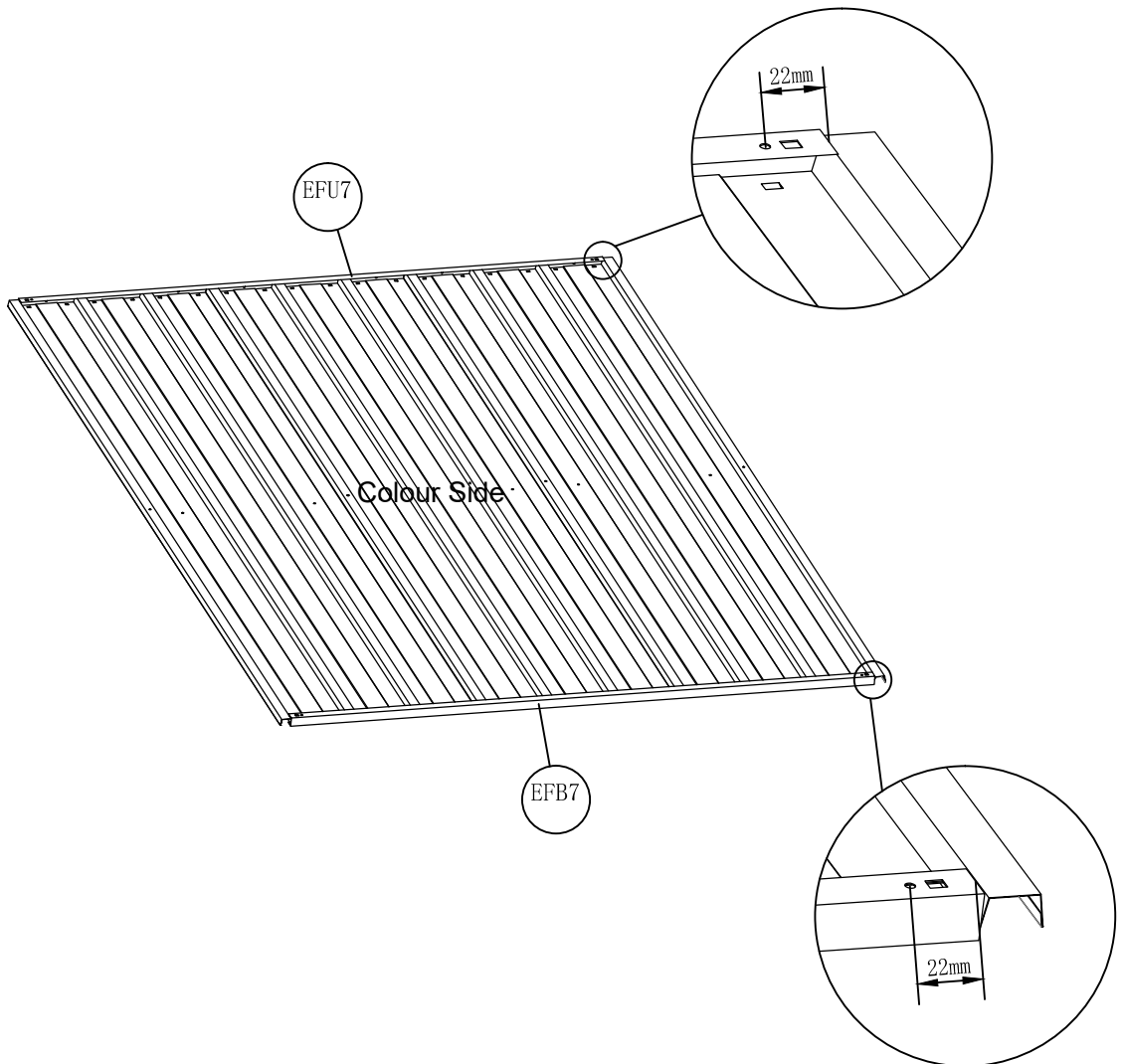
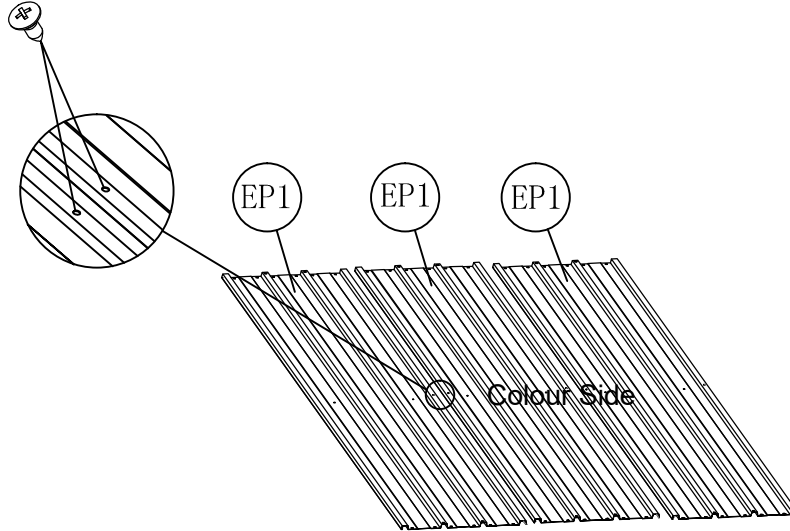
Hole alignment



PART B

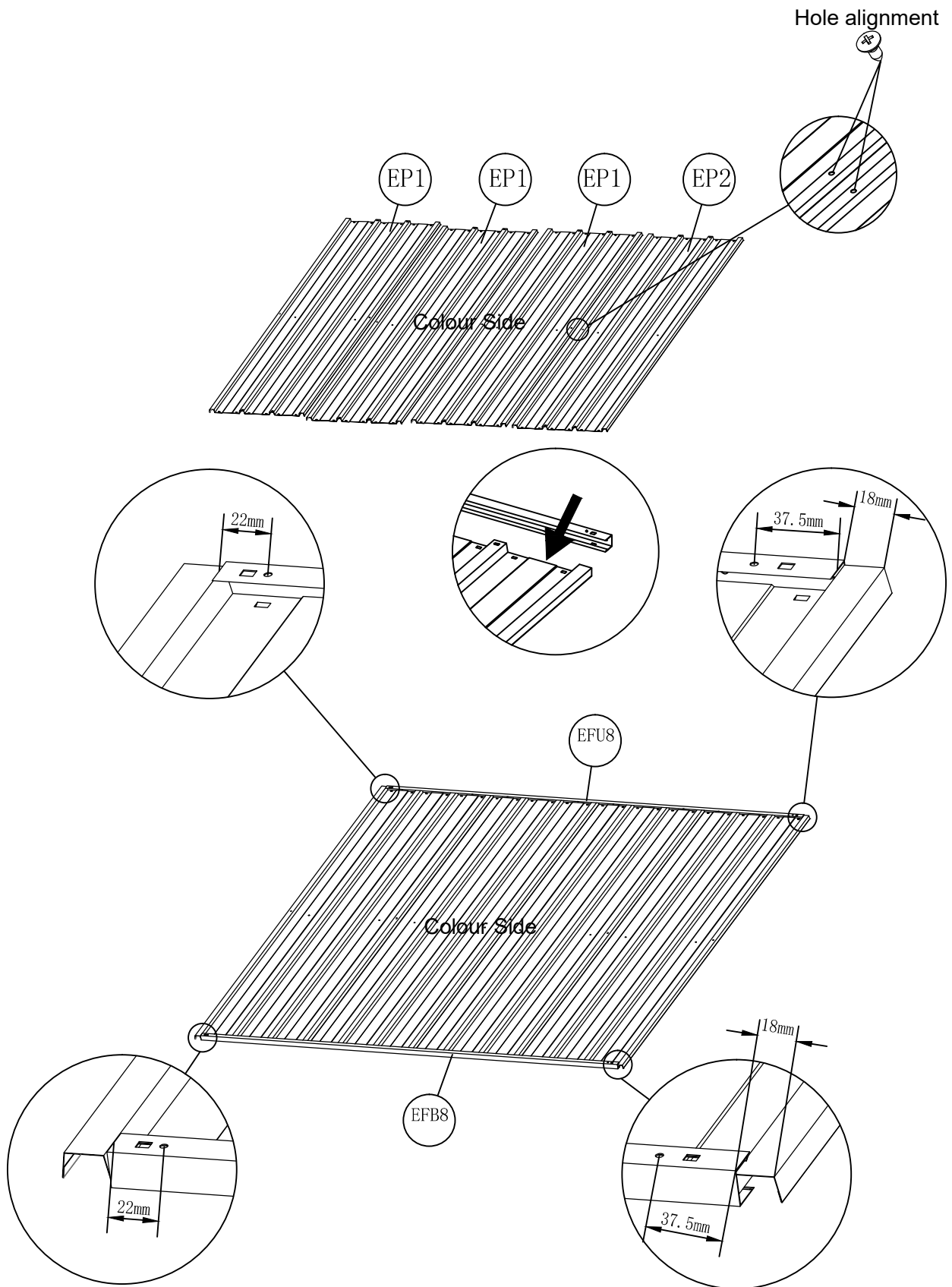
	EP1	3		EFU7	1		EFB7	1		S3	2
---	-----	---	---	------	---	---	------	---	---	----	---

Hole alignment



PART C

	EP1	3		EP2	1		EFU8	1		EFB8	1		S3	3
---	-----	---	---	-----	---	---	------	---	---	------	---	---	----	---

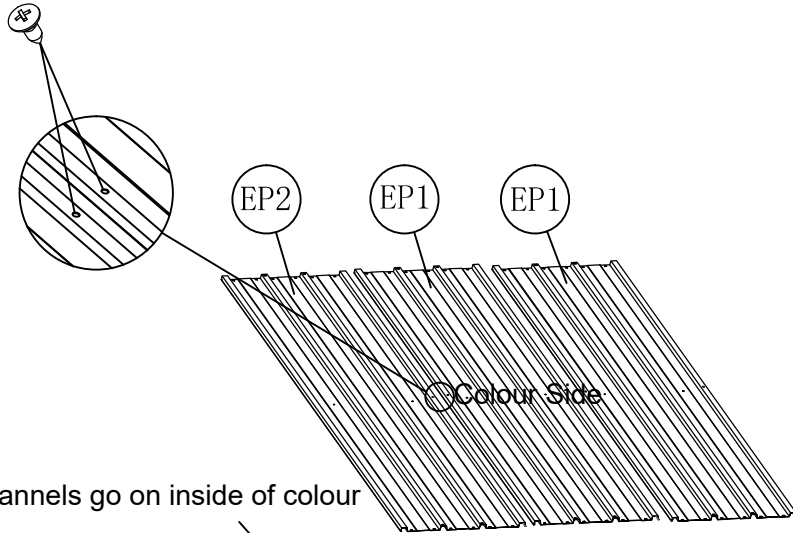


PART D

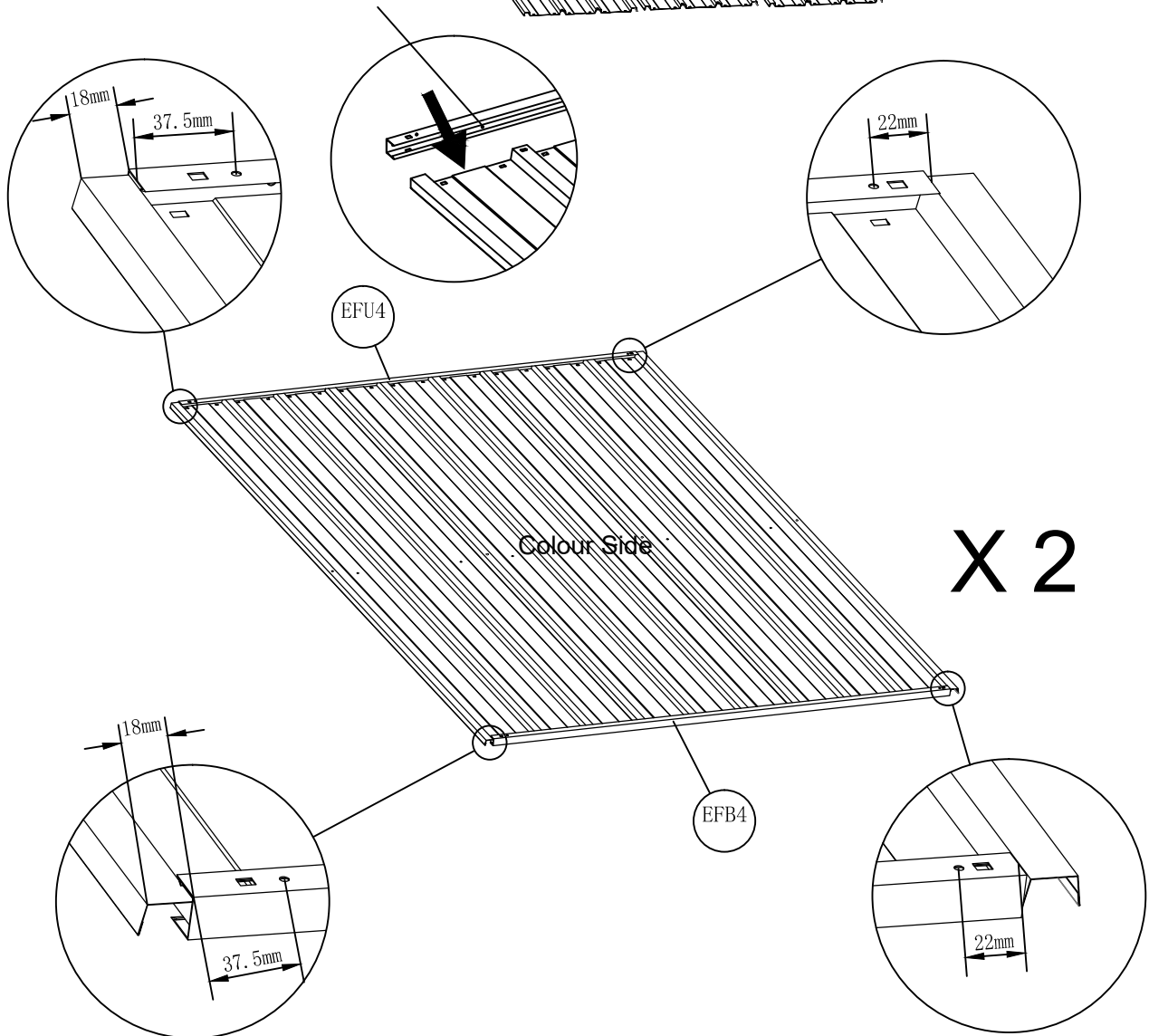
	EP1	2		EP2	1		EFU4	1		EFB4	1		S3	2
---	-----	---	---	-----	---	---	------	---	---	------	---	---	----	---

X 2

Hole alignment



Tip: Holes of U channels go on inside of colour side.

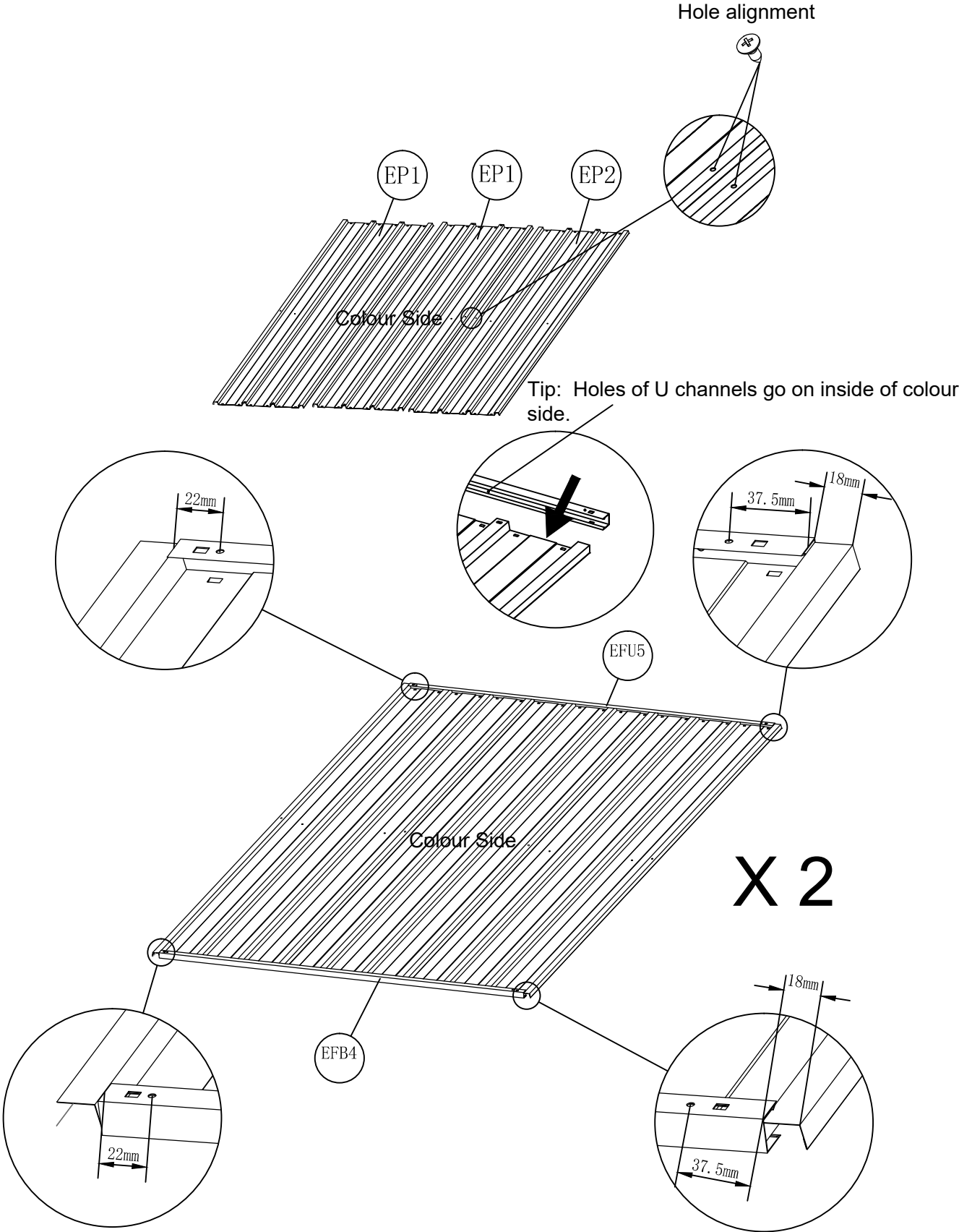


X 2






PART E

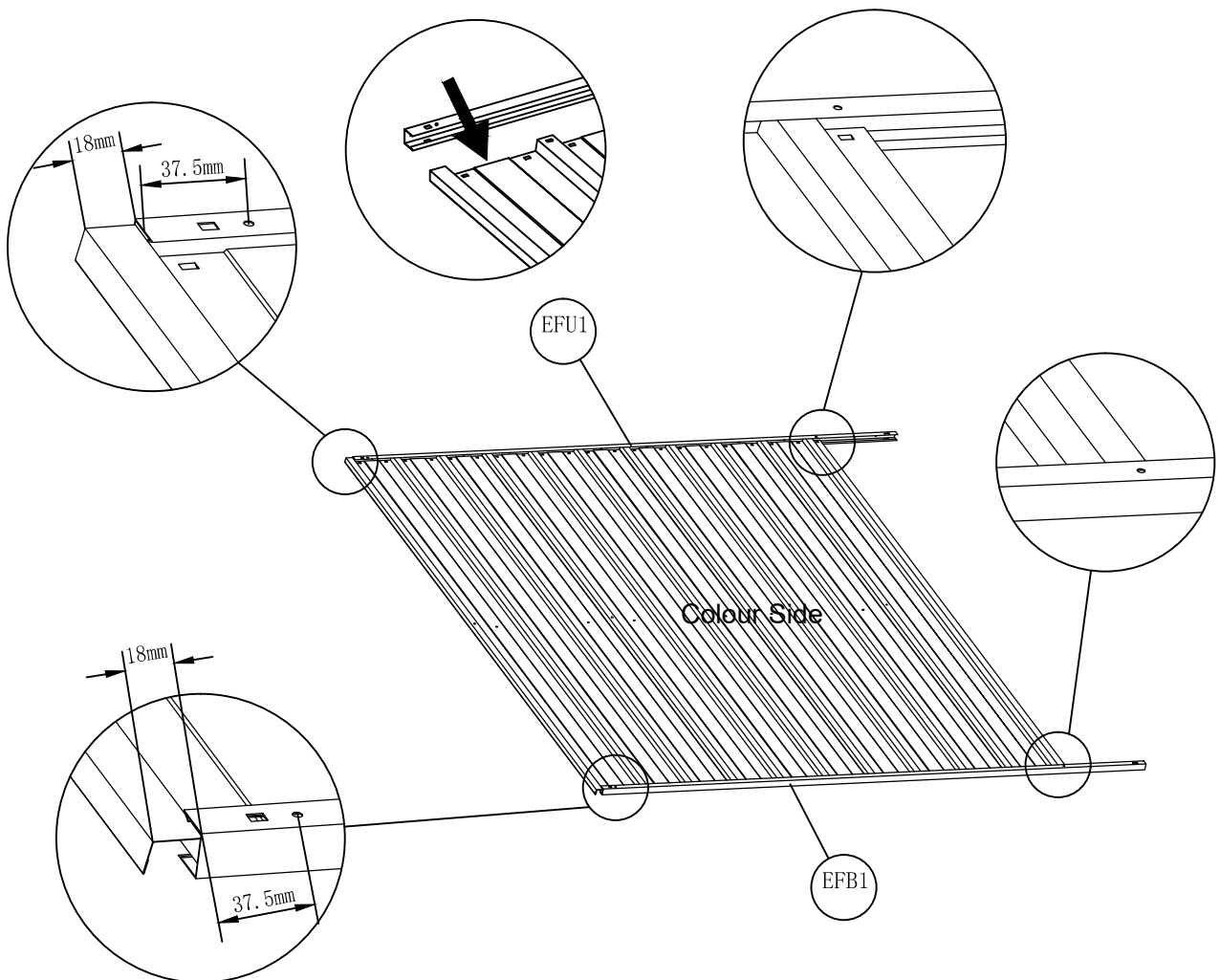
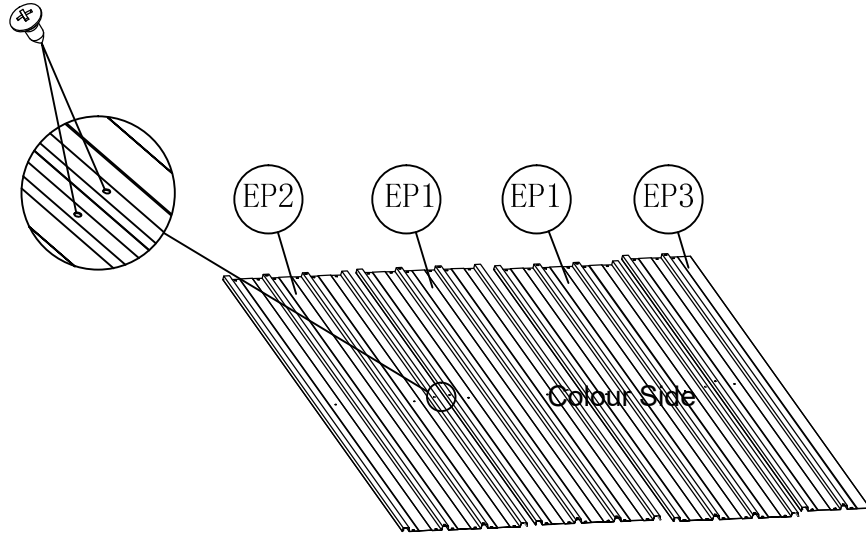
	EP1	2		EP2	1		EFU5	1		EFB4	1		S3	2
---	-----	---	---	-----	---	---	------	---	---	------	---	---	----	---

X 2









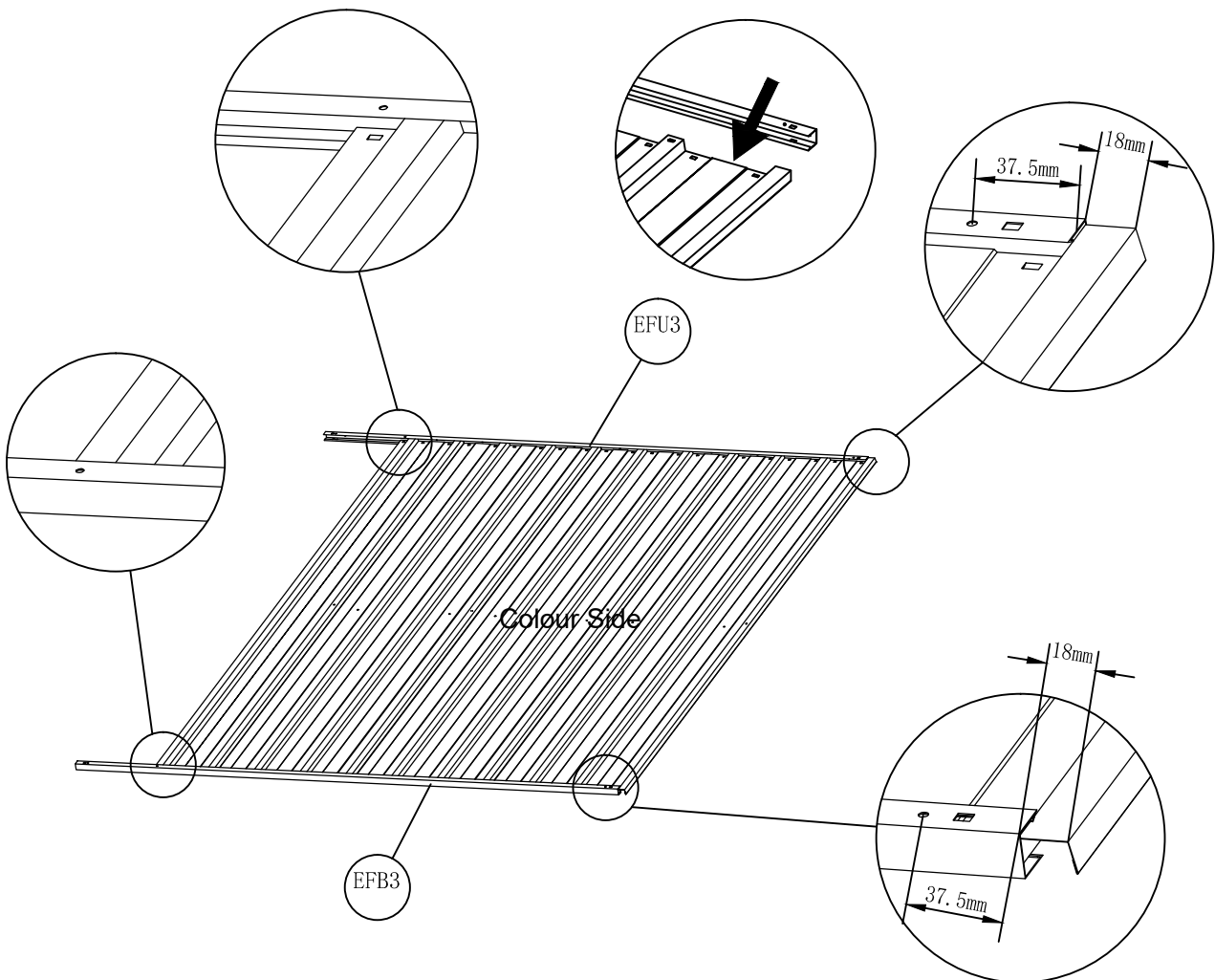
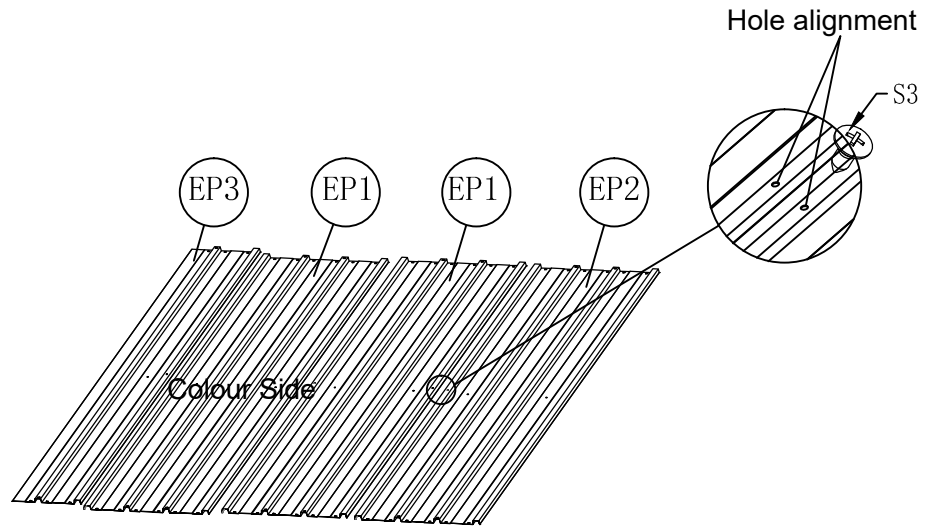
PART F

	EP1	2		EP2	1		EP3	1		EFU1	1		EFB1	1
Hole alignment													S3	3













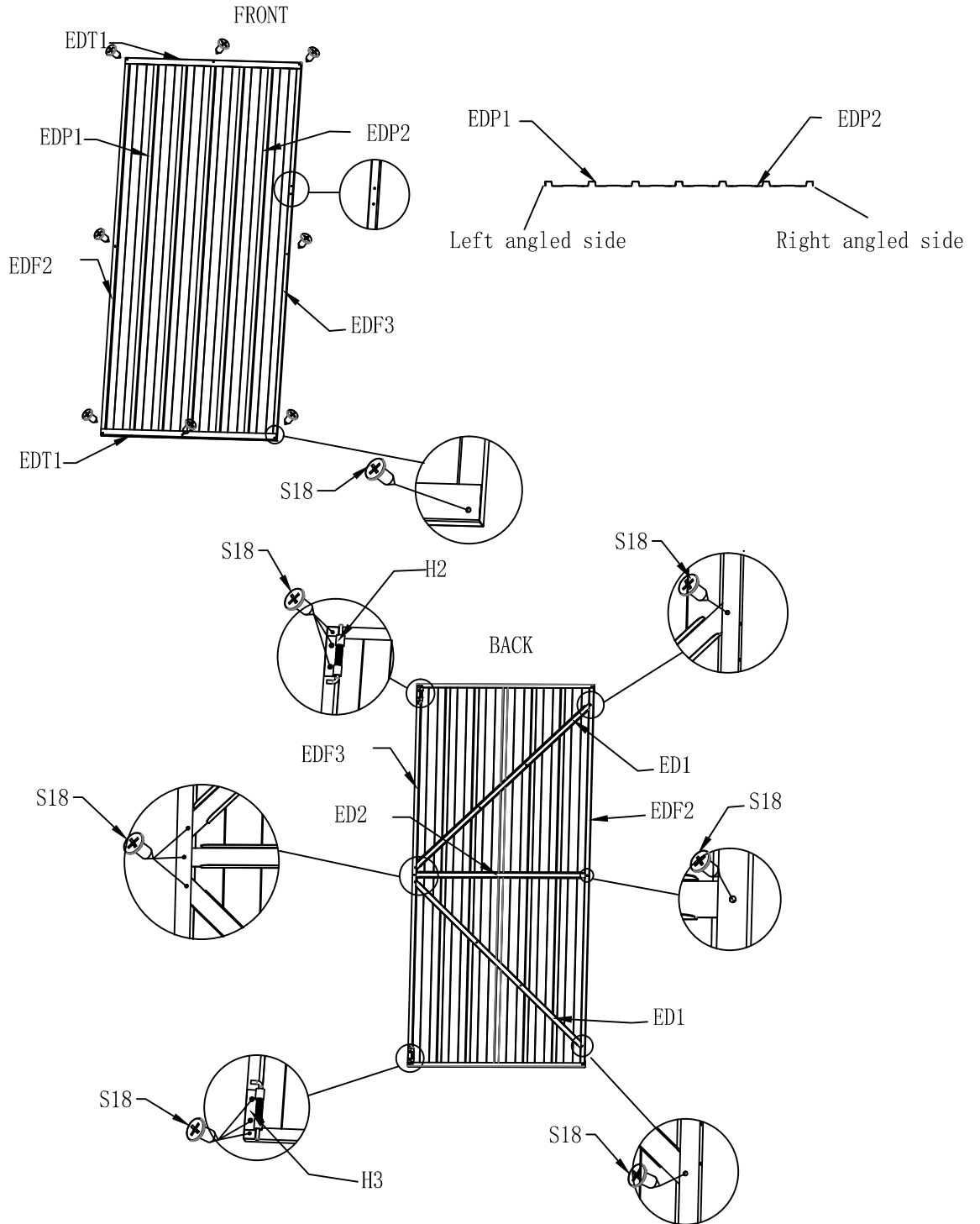
PART G

	EP1	2		EP2	1		EP3	1		EFU3	1		EFB3	1
	S3	3												





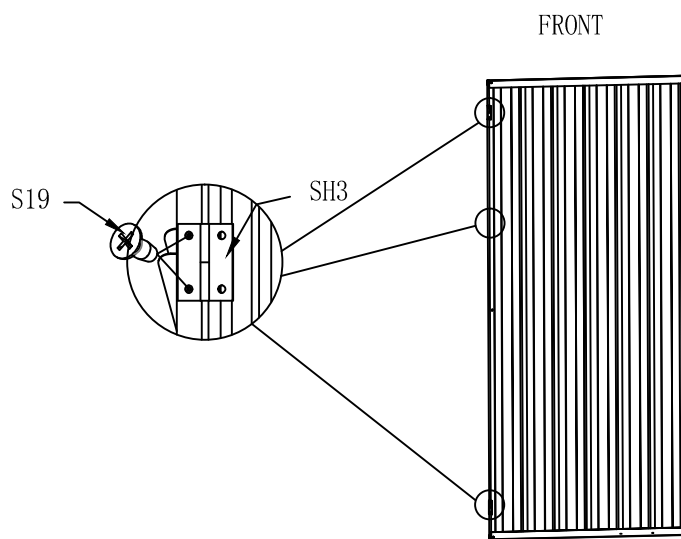
SHED ASSEMBLY LEFT DOOR

	EDP1	1		EDP2	1		EDT1	2		EDF2	1		EDF3	1
	ED1	2		ED2	1		H2	1		H3	1		S18	28



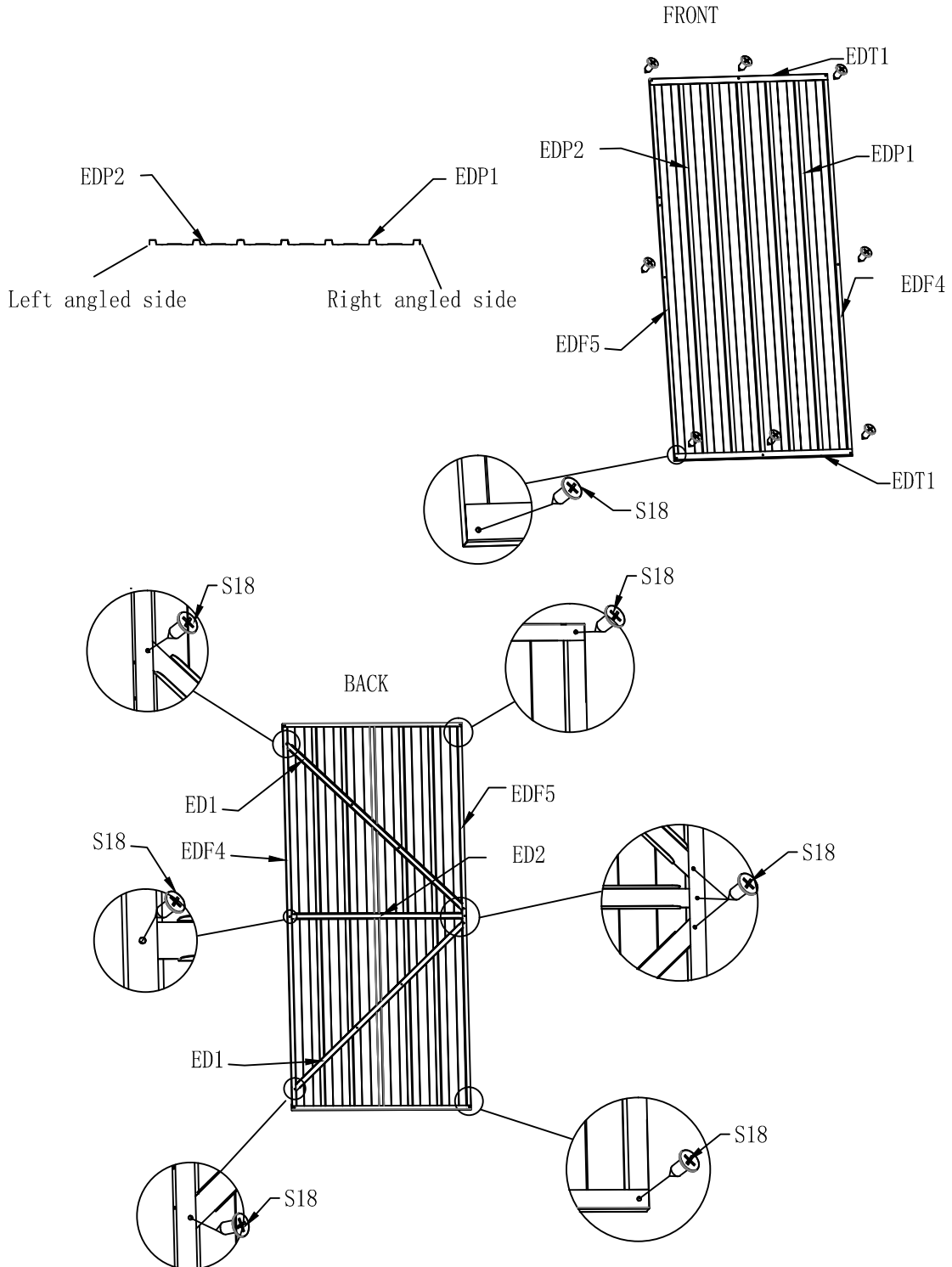
SHED ASSEMBLY LEFT DOOR

	SH3	3		S19	6
---	-----	---	---	-----	---





SHED ASSEMBLY RIGHT DOOR

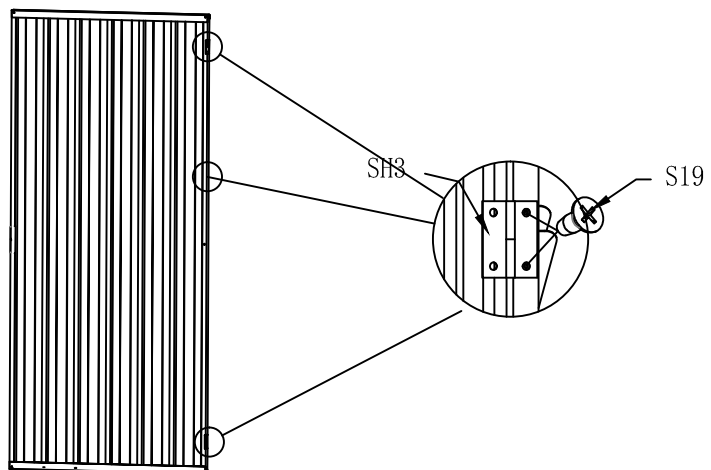
	EDP1	1		EDP2	1		EDT1	2		EDF4	1		EDF5	1
	ED1	2		ED2	1		S18	24						



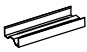





SHED ASSEMBLY RIGHT DOOR

	SH3	3		S19	6
---	-----	---	---	-----	---

FRONT



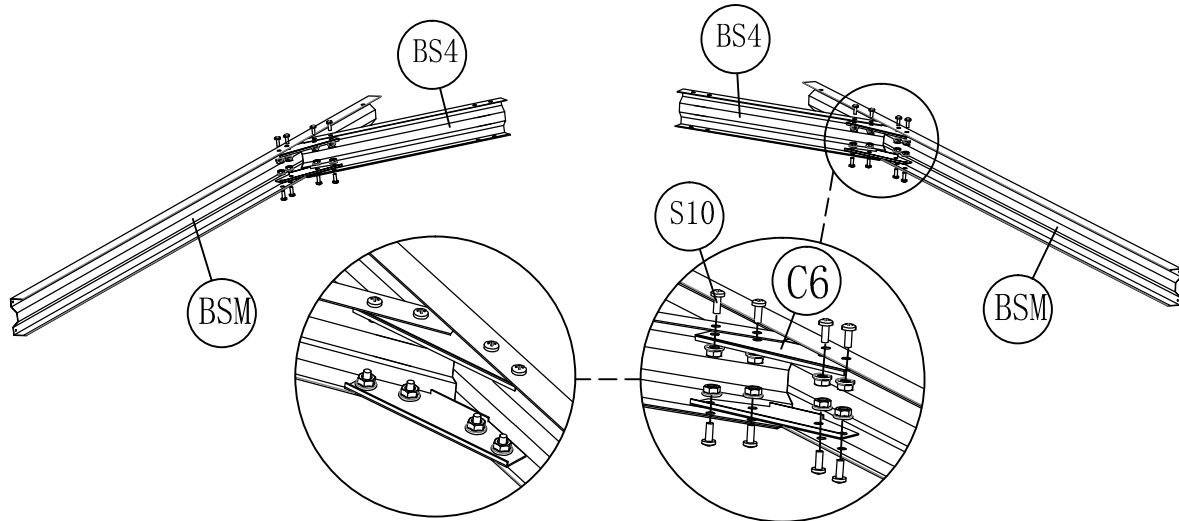
Supports

	BSM	2		BS4	2		BS5	2		BS6	1
	S10	48		C6	10						

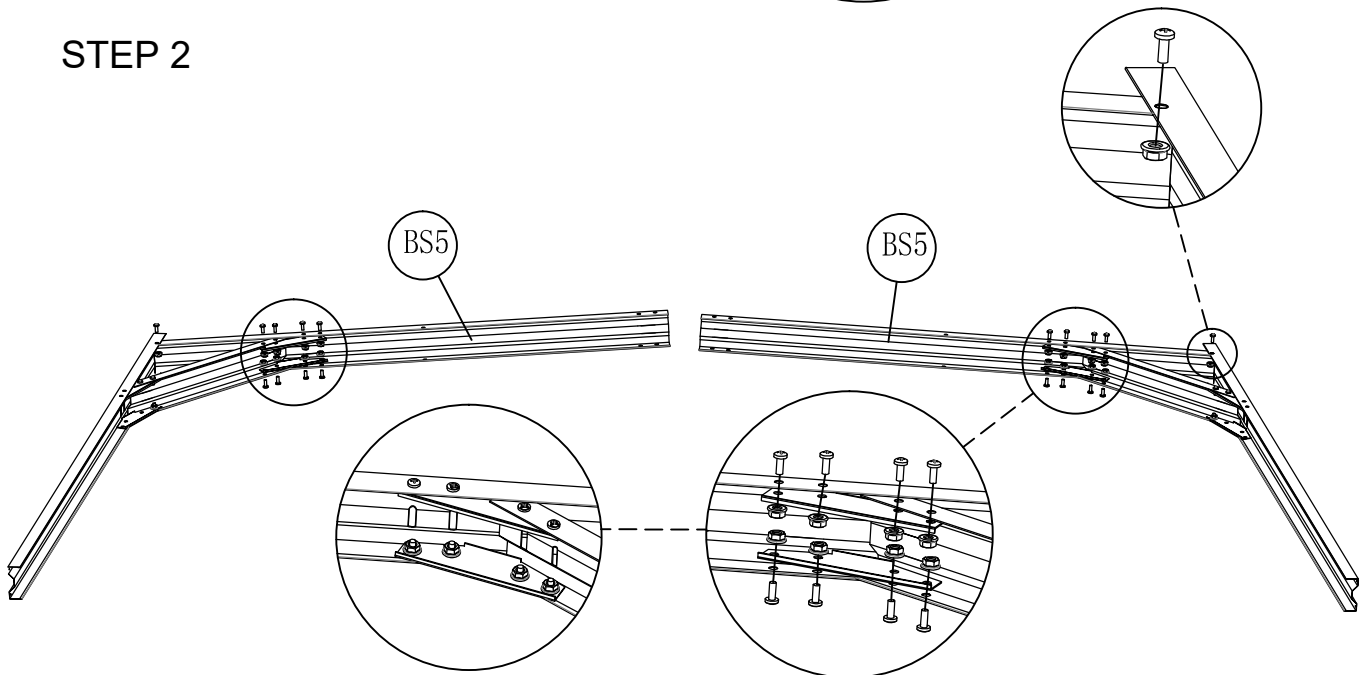
X 2

Put bolts through the pre-drilled holes, use washer and nuts, but do not tighten at step 1-3.

STEP 1

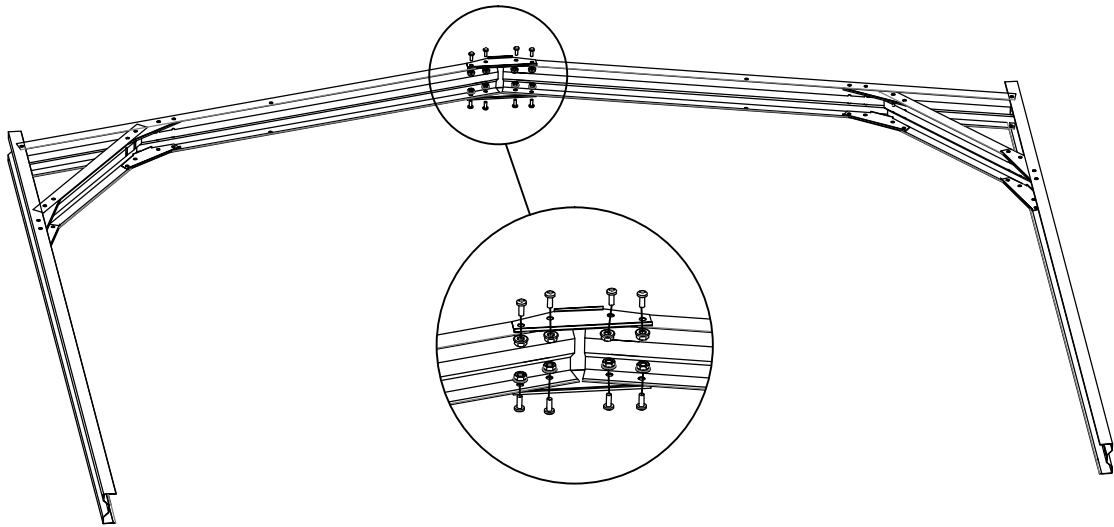


STEP 2



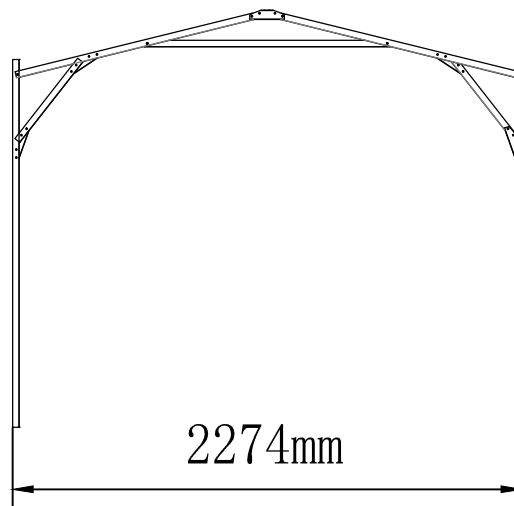
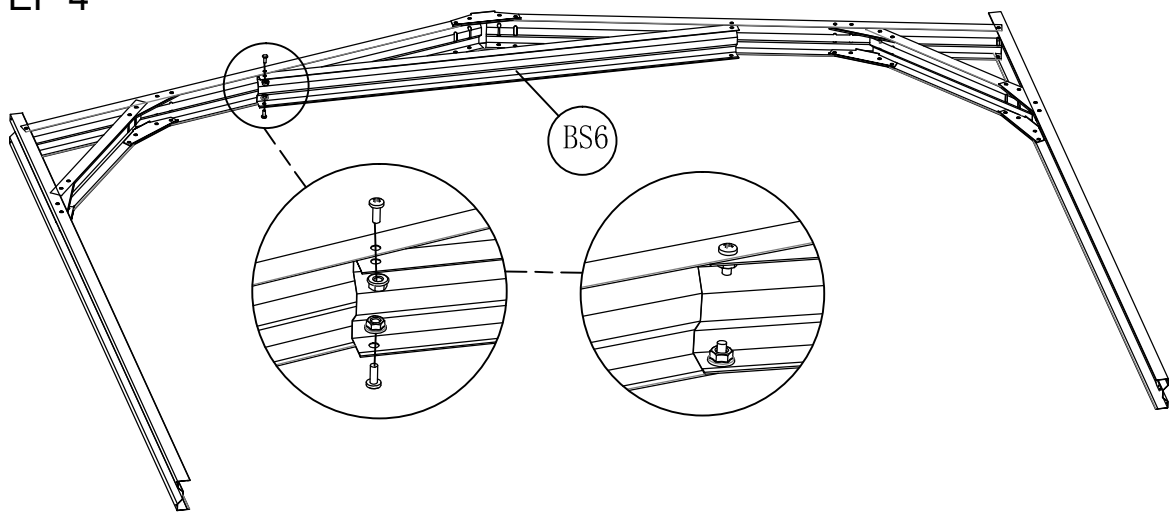
Supports

STEP 3







STEP 4

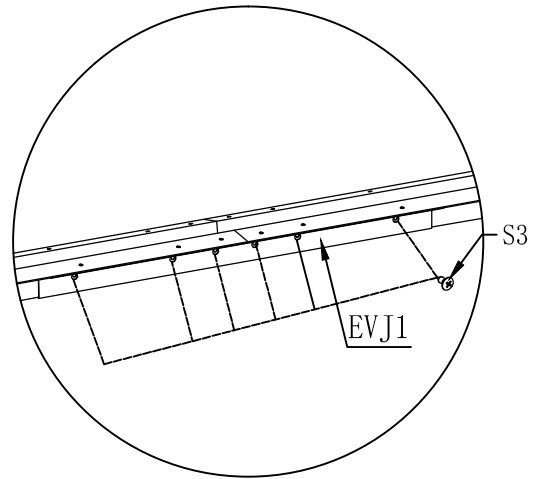
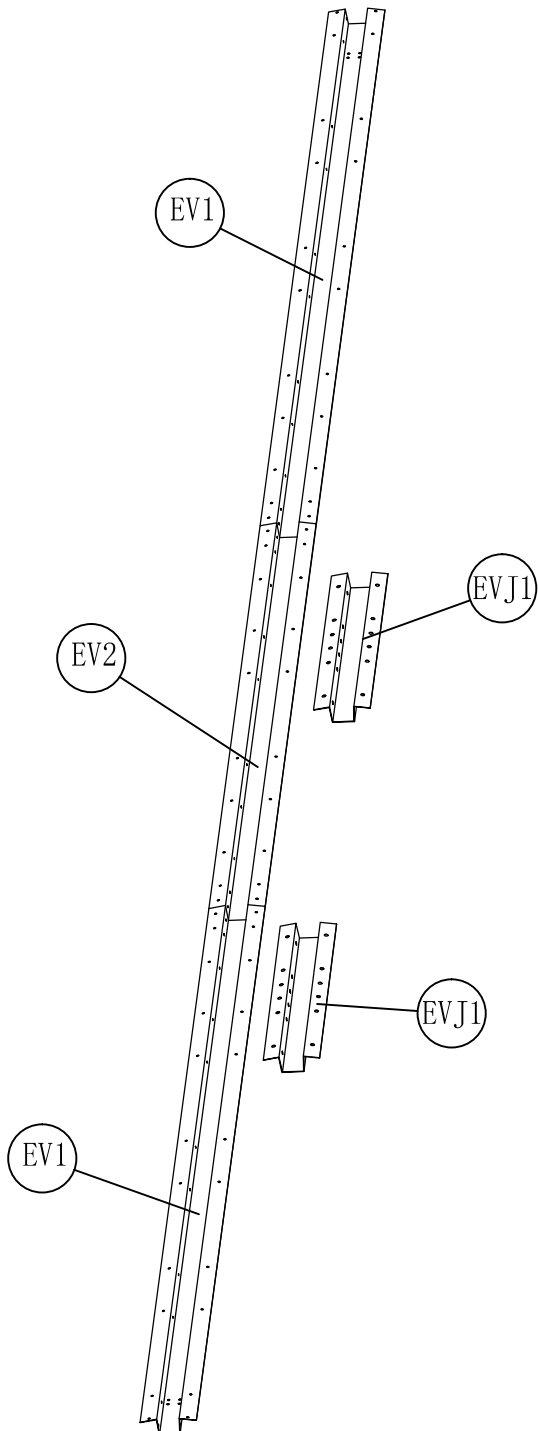
Tighten all the screws, at this stage.





X 2

MAIN BEAM

	EV1	2		EV2	1		EVJ1	2		S3	24
---	-----	---	---	-----	---	---	------	---	--	----	----



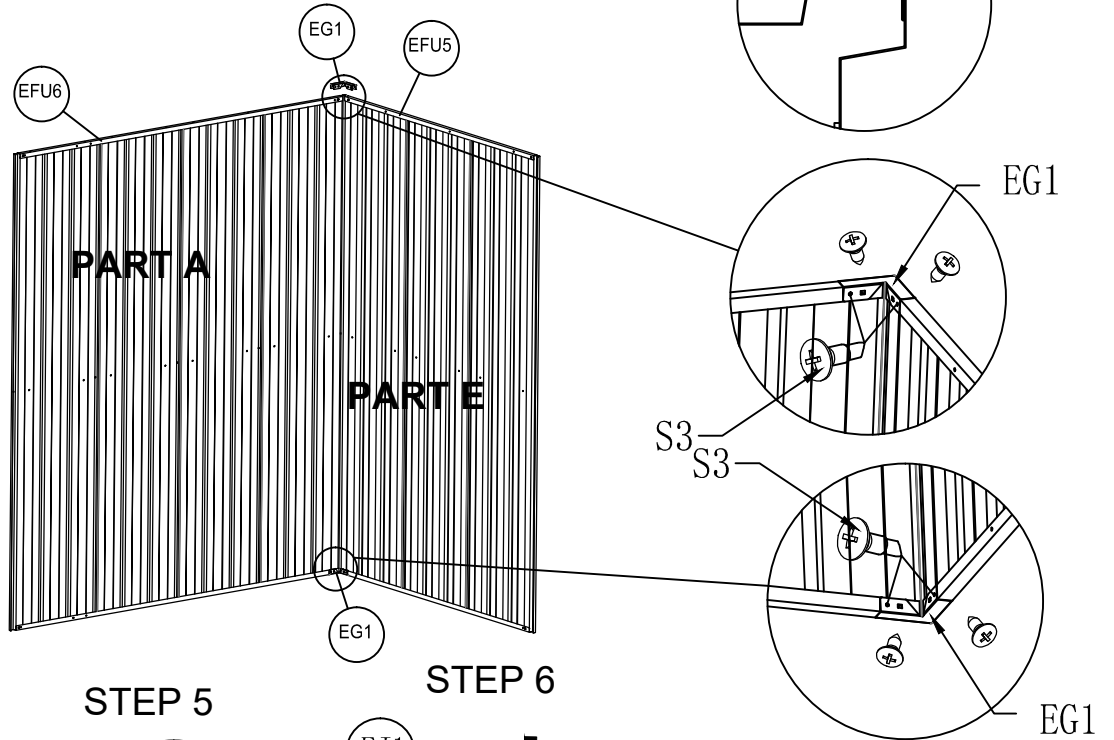
Walls Assembly

	EG1	2		S3	8
---	-----	---	---	----	---

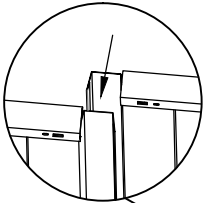


Ensure the correct location of up and down, when you install walls.

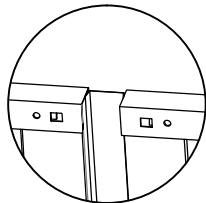
Noted: S3 on both sides to improve the stability of connector



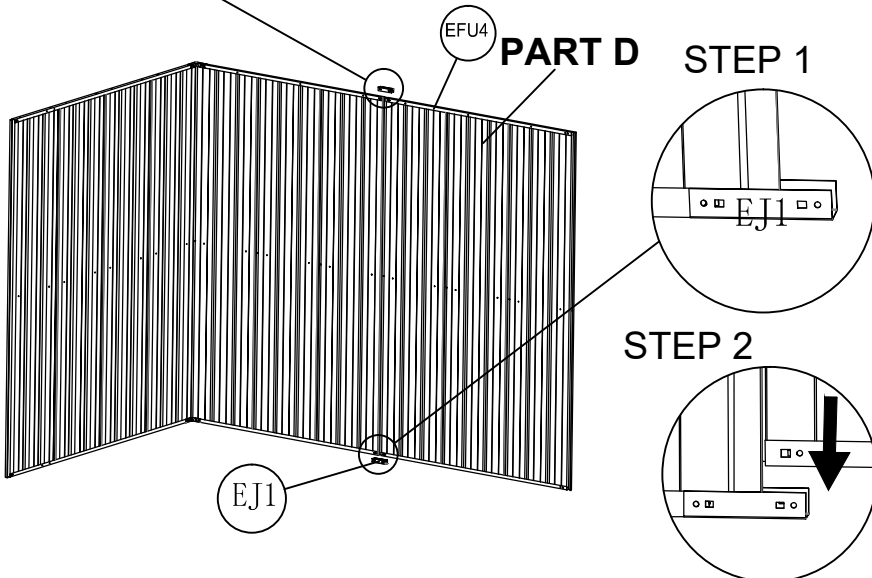
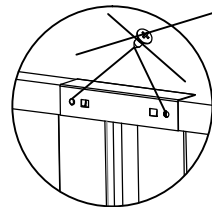
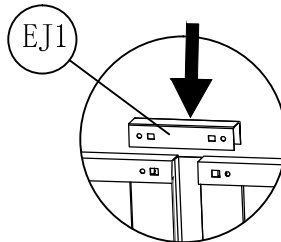
STEP 4



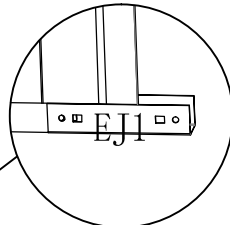
STEP 5



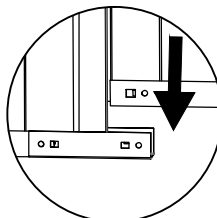
STEP 6




STEP 1

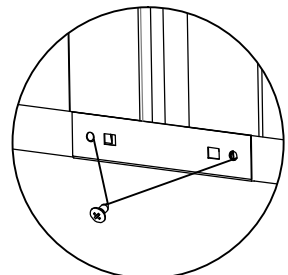


STEP 2





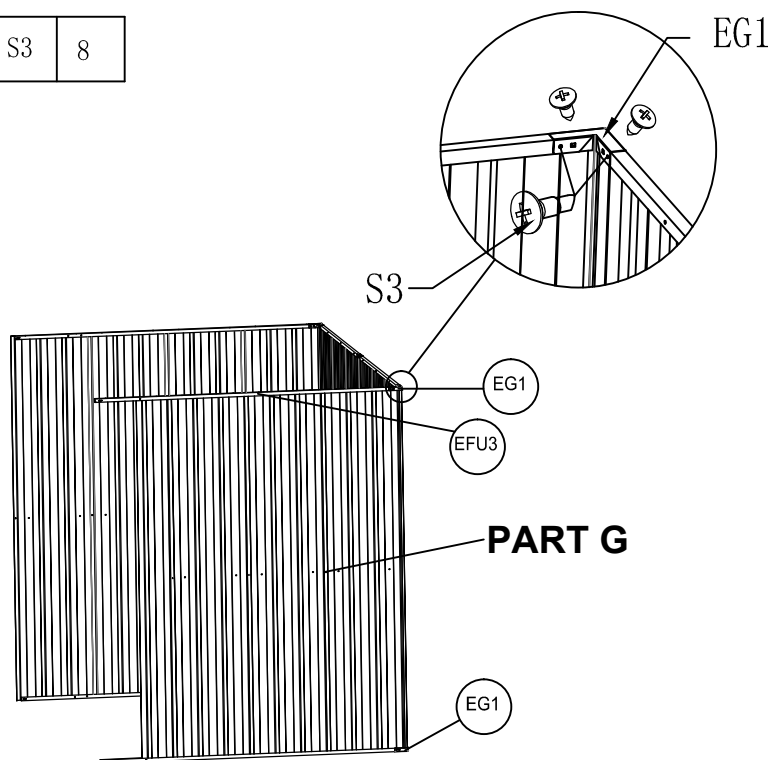
	EJ1	2
white		
	S3	8


STEP 3

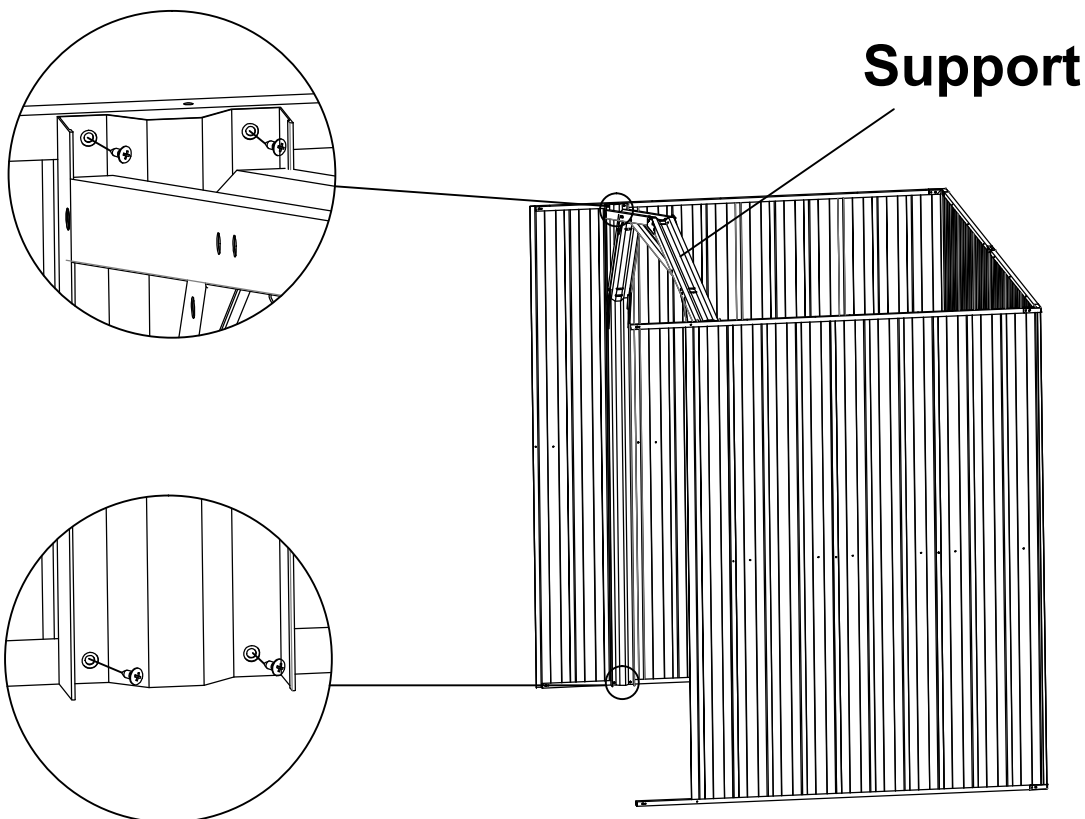


Walls Assembly



	EG1	2		S3	8
---	-----	---	---	----	---



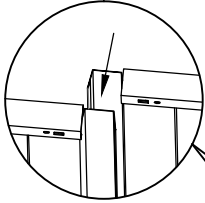
	S3	8
---	----	---



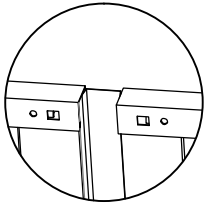
Walls Assembly

 white	EJ1	4		S3	16
---	-----	---	---	----	----

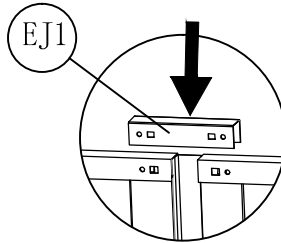
STEP 1



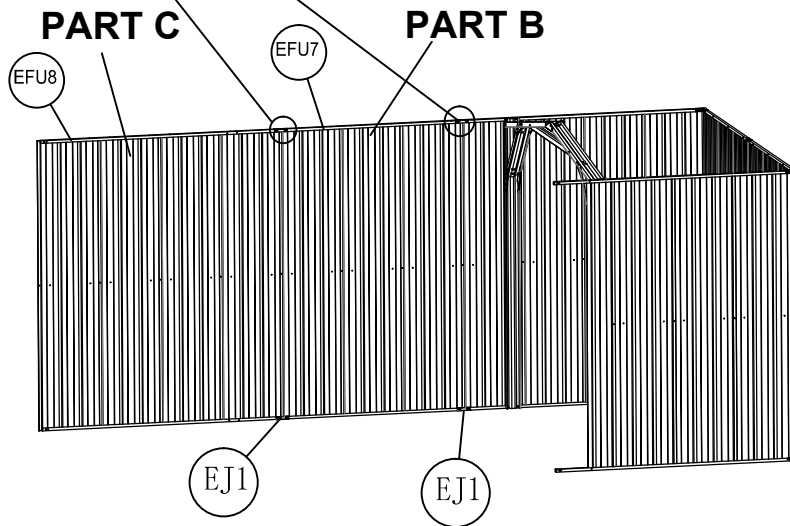
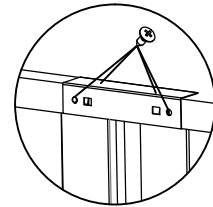
STEP 2






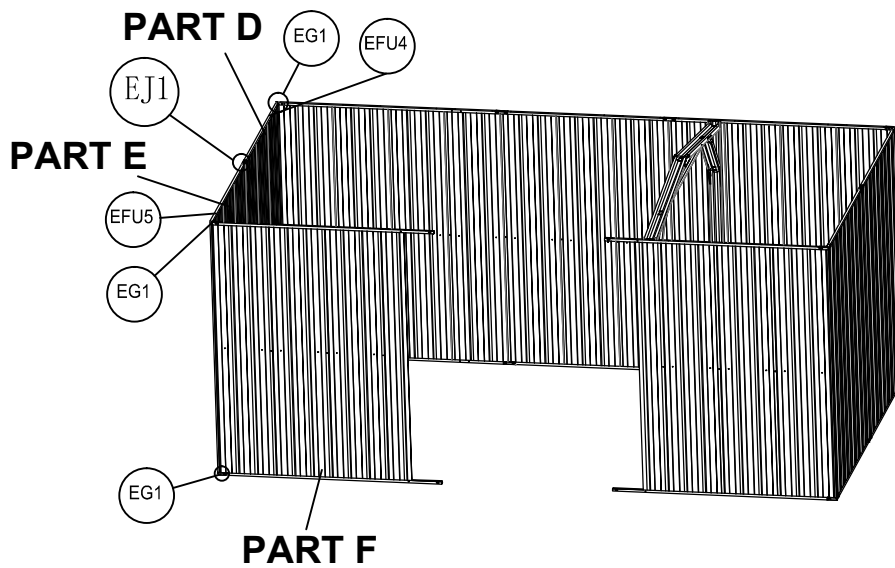
STEP 3



STEP 4

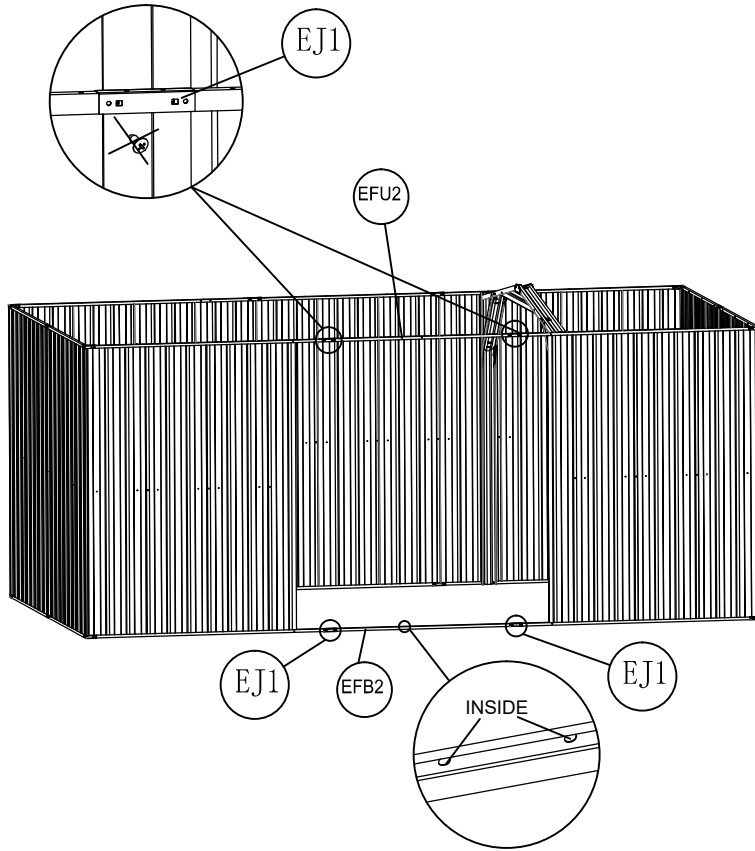



	EG1	4	 white	EJ1	2		S3	24
---	-----	---	---	-----	---	---	----	----

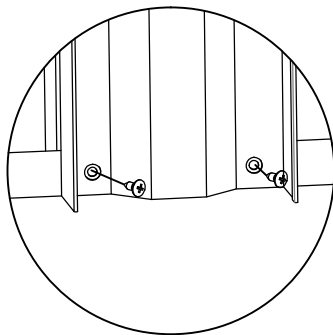
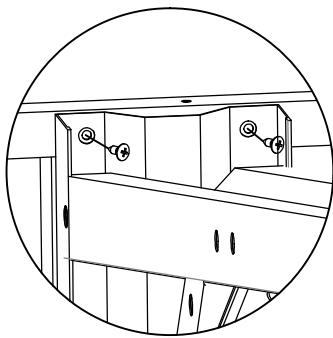


Walls Assembly

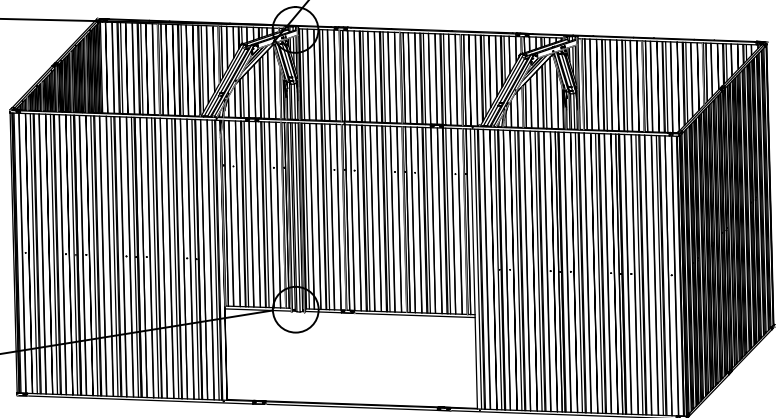
 white	EJ1	4		EFU2	1		EFB2	1
---	-----	---	---	------	---	---	------	---



	S3	8
---	----	---

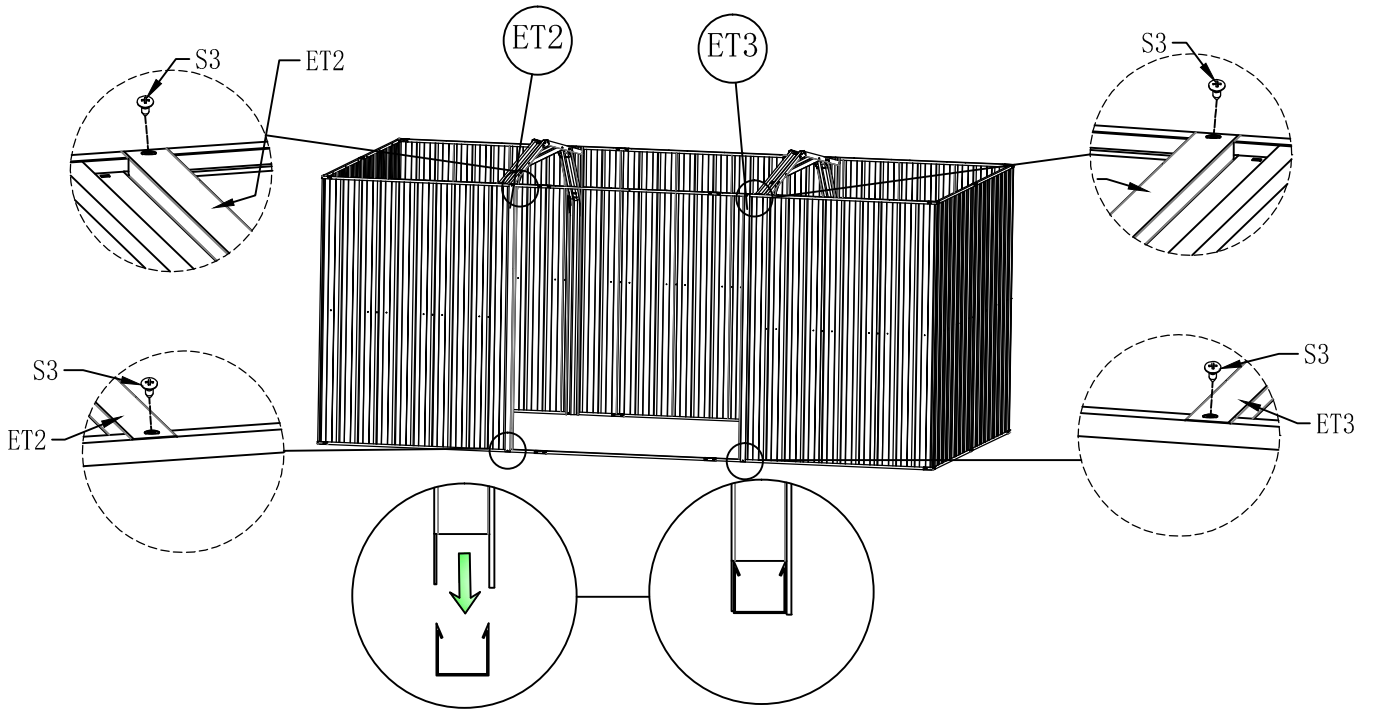






Support



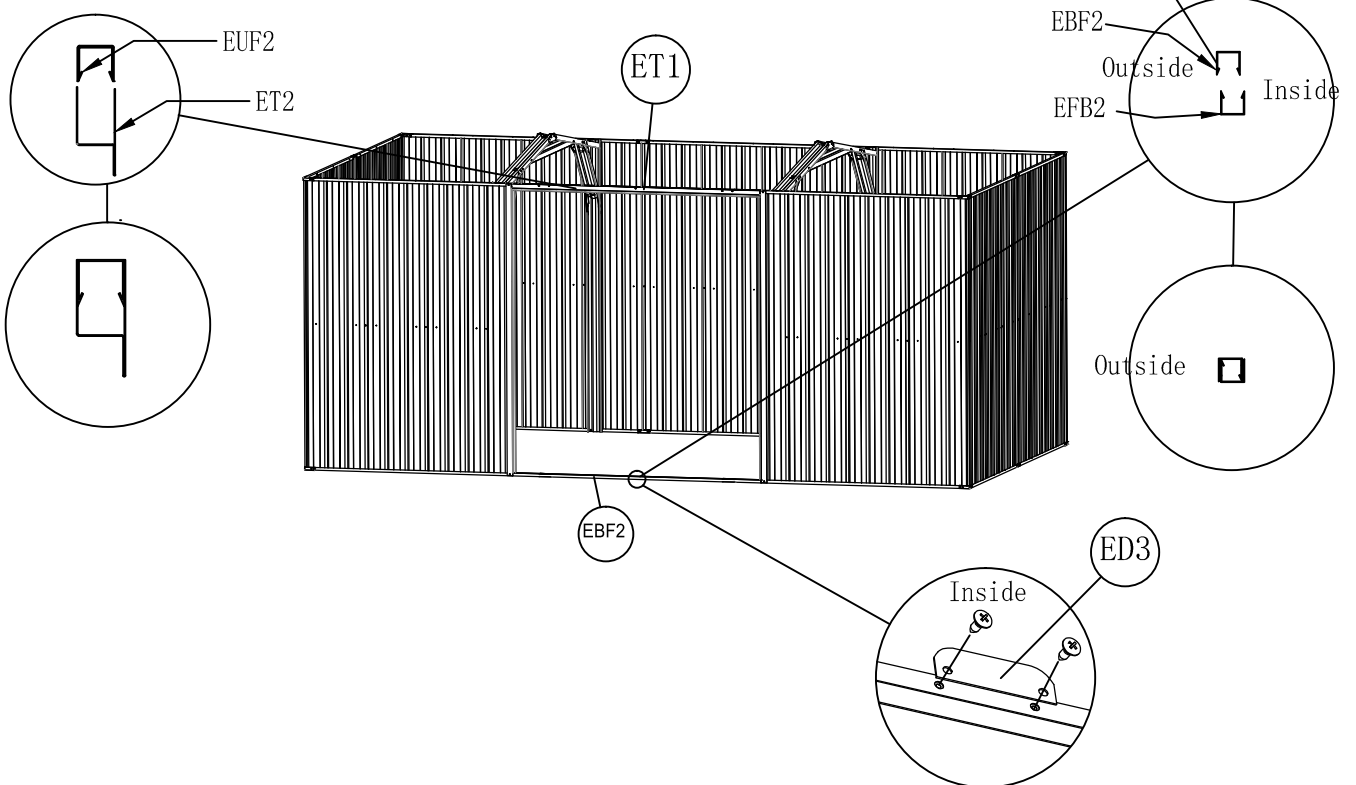
Walls Assembly

	ET2	1		ET3	1		S3	4
---	-----	---	---	-----	---	---	----	---

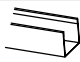
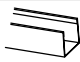
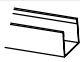
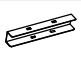


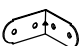



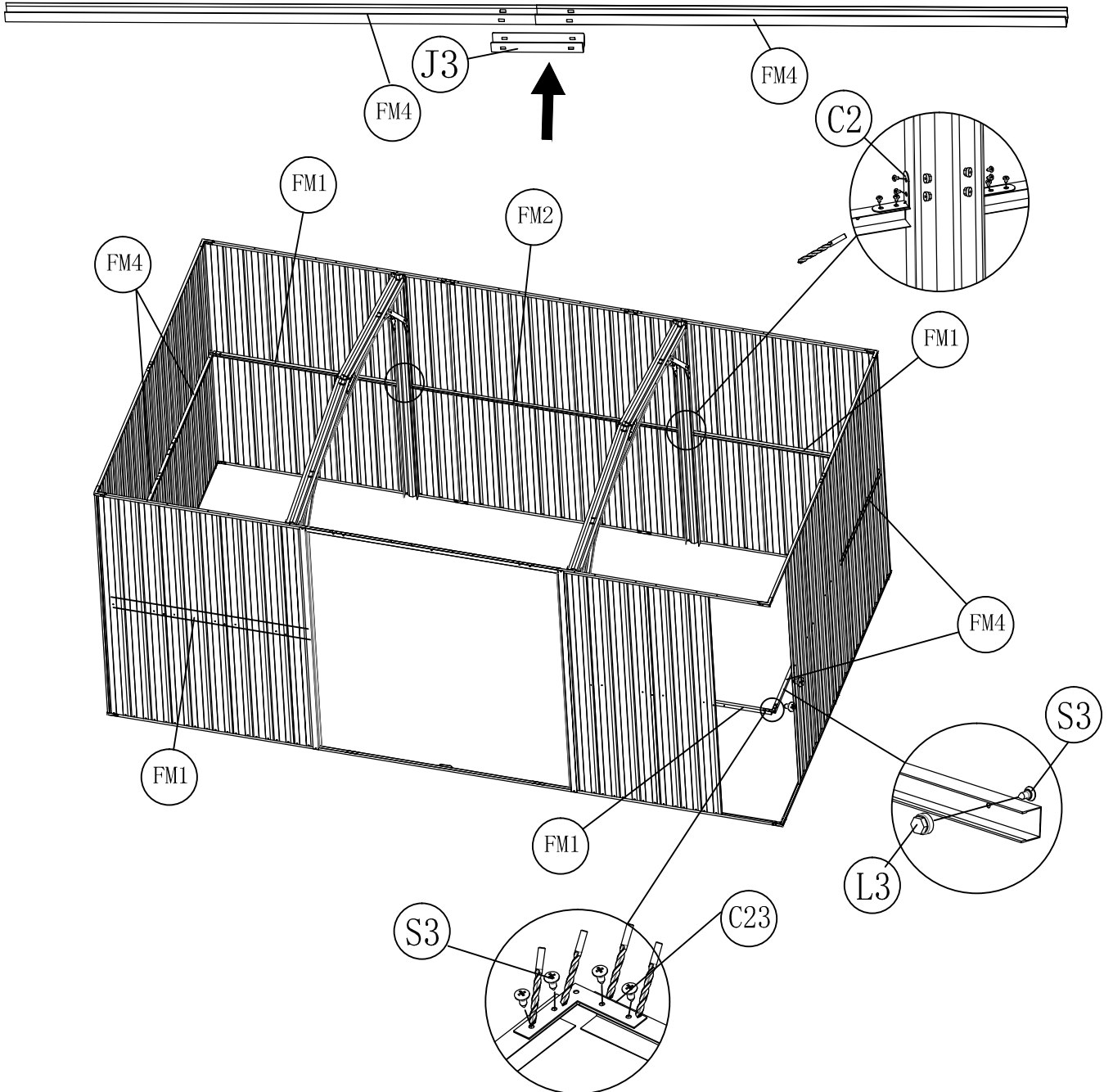
	ET1	1		EBF2	1		S3	14		ED3	1
---	-----	---	---	------	---	---	----	----	---	-----	---

There are no holes outside.



Support Assembly

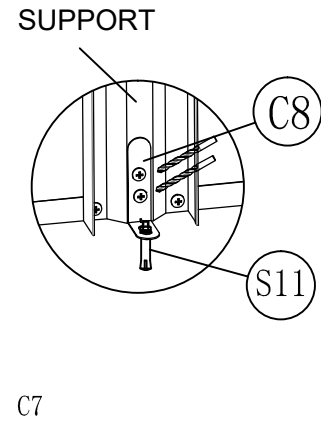
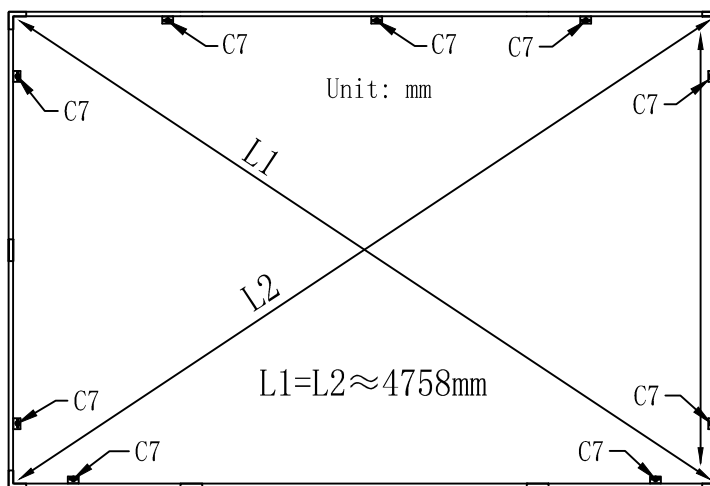
	FM1	4		FM2	1		FM4	4		J3	2
	S3	98		L3	70		C2	6		C23	4



Anchoring Assembly

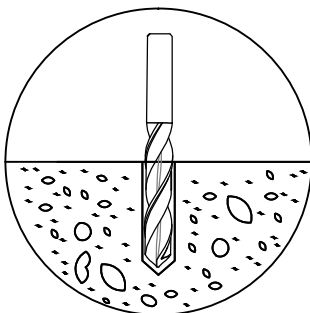
	C7	9		S11	13		C8	4		S3	8
--	----	---	--	-----	----	--	----	---	--	----	---

STEP1

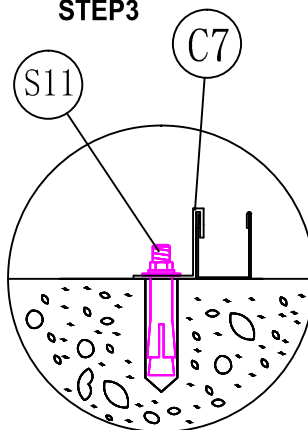


1. The shed is now free standing. It is critical at this stage to ensure the shed is levelled.
2. Then measure the diagonal distance and make sure the four side walls are squared to 90 degrees.
3. Use anchor kit (C7 & S11) when fixing to a concrete base. Fastening the anchor kit onto a concrete pad
 - 3.1 Mark the place of the anchor on the ground.
 - 3.2 Use 10mm -0.39" concrete drill bit and drill holes 60mm-2.4" deep.
 - 3.3 Tap concrete fixing bolts into the hole, place anchor, add washer and nut and fasten.

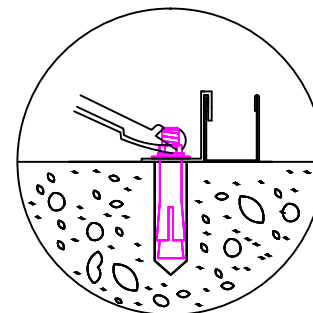
STEP2





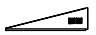
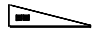


STEP3

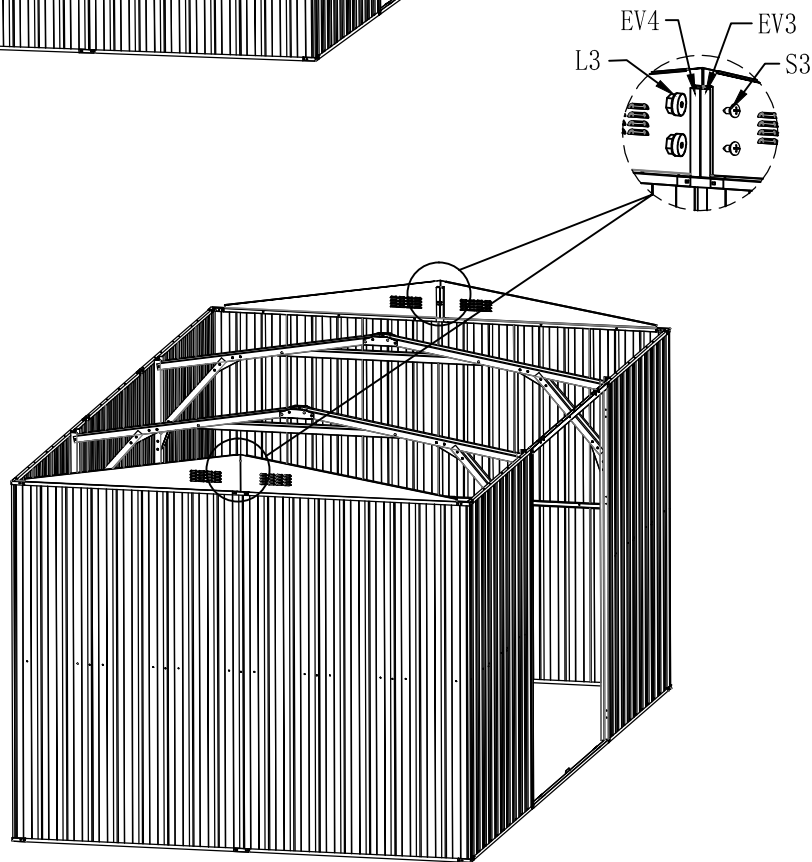
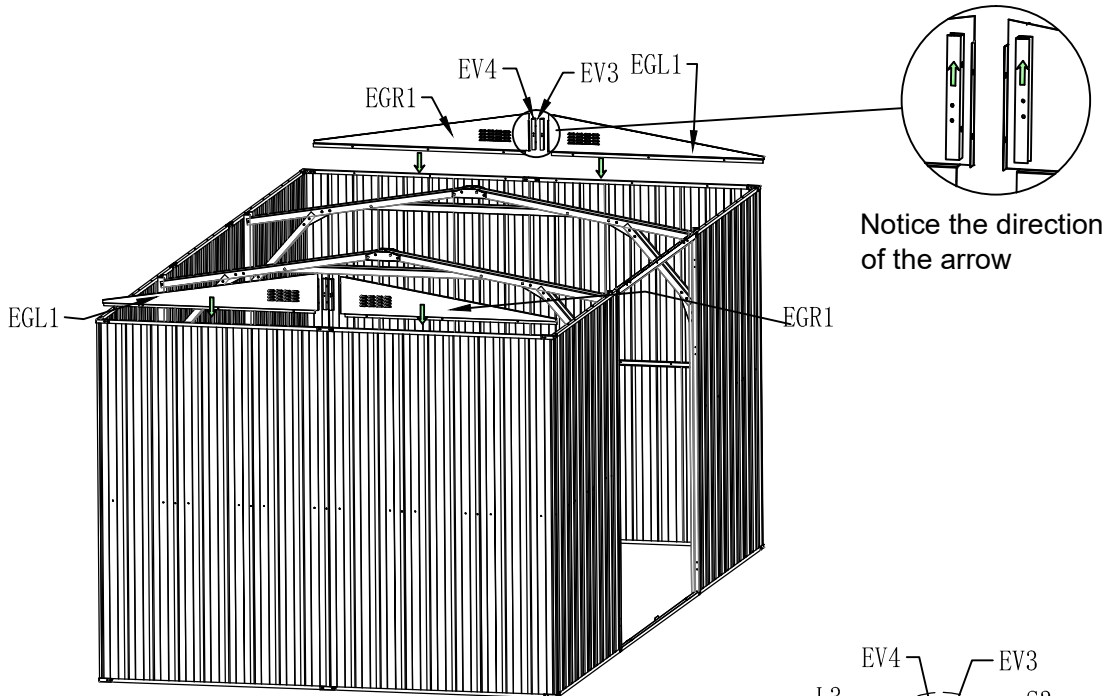


STEP4






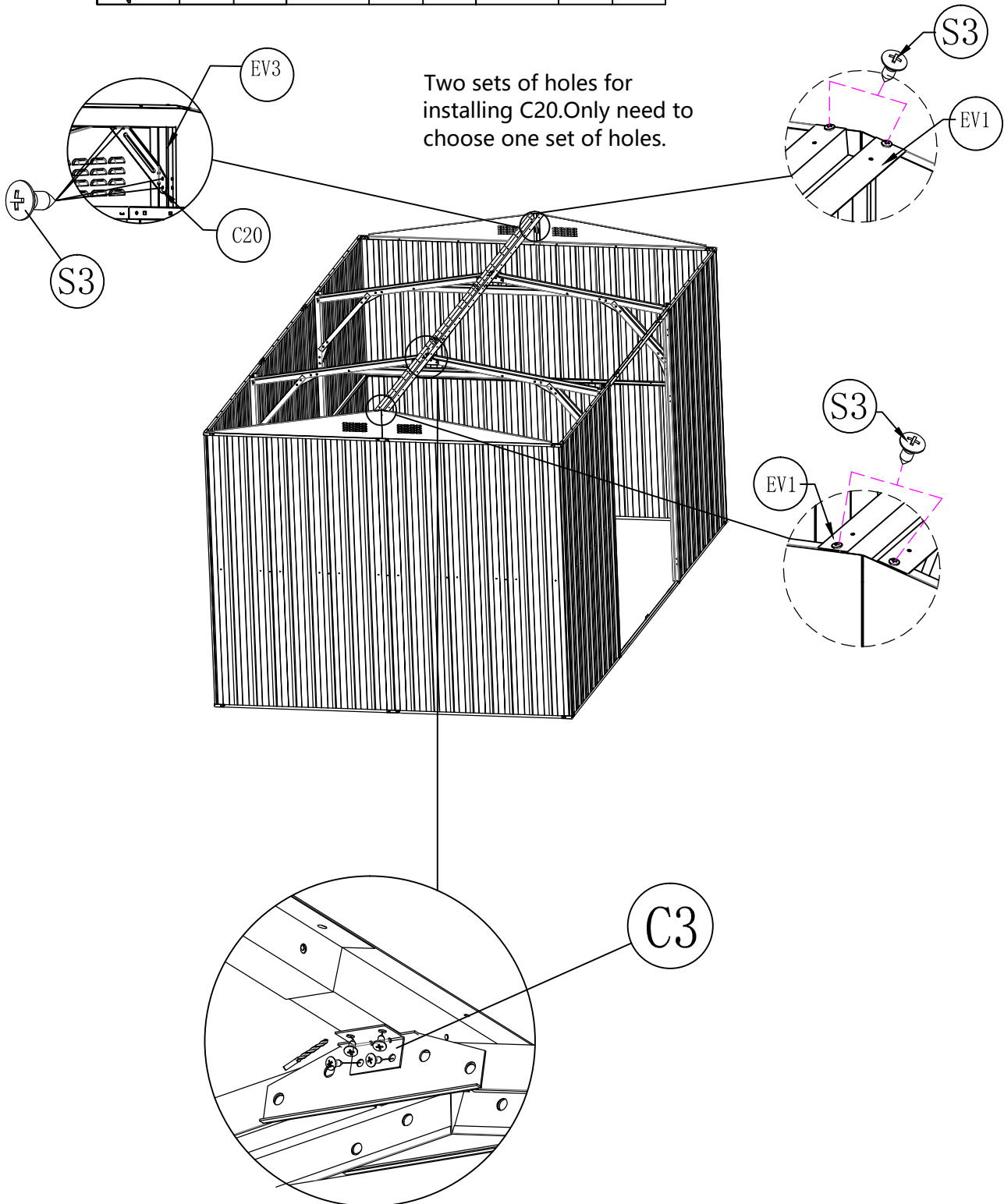
Triangles Assembly

	EV4	2		EV3	2		EGL1	2		EGR1	2		L3	4
	S3	16												







Roof Framing Assembly

	C20	2		S3	28		C3	4
---	-----	---	---	----	----	---	----	---



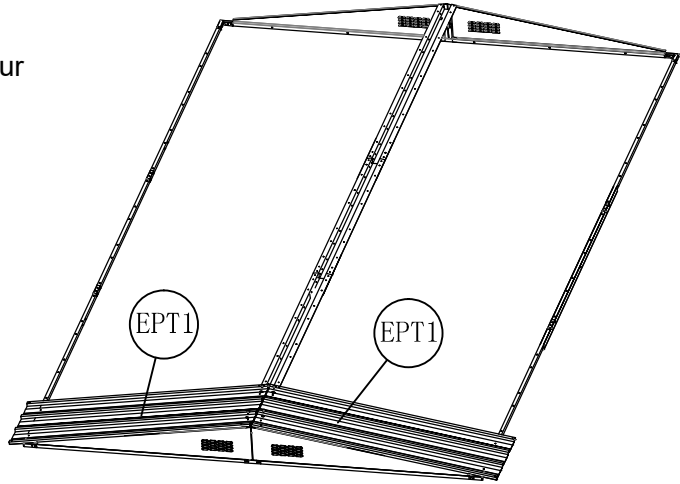
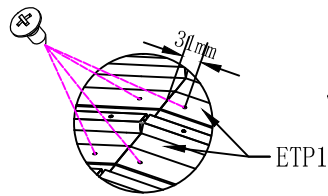
Roof Panels Assembly Step 1-2

STEP 1






	EPT1	2		S3	4		S5	4		Waterproof tape
---	------	---	---	----	---	---	----	---	--	-----------------

NOTE:

1. Attach roof panel to top roof beam only using four (4) screws. Do not fasten to side wall angle at this time.
2. While installing roof panels use waterproof tape to seal roof ridge.
3. Waterproof tape should be applied in a continuous strip along the length of the roof.

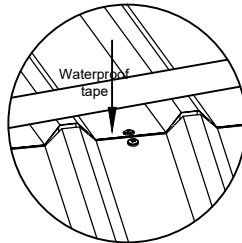


STEP 2

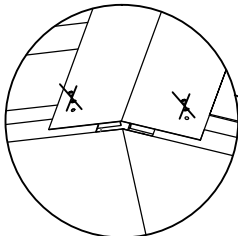
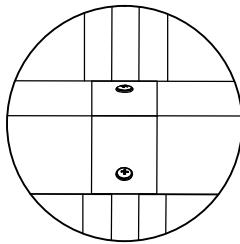
	EPT1	2		S3	6		S5	6		ER1	2
	Waterproof tape										

STEP 1

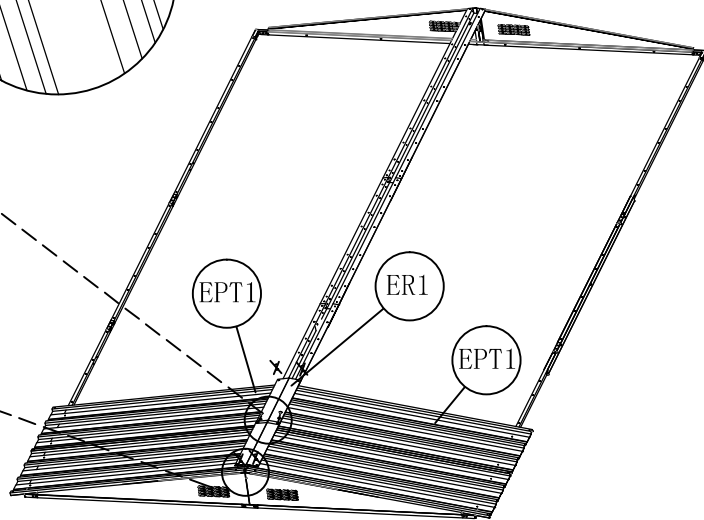
Continue to apply waterproof tape.



STEP 2








Do not secure end of ridge caps until caps are in place.

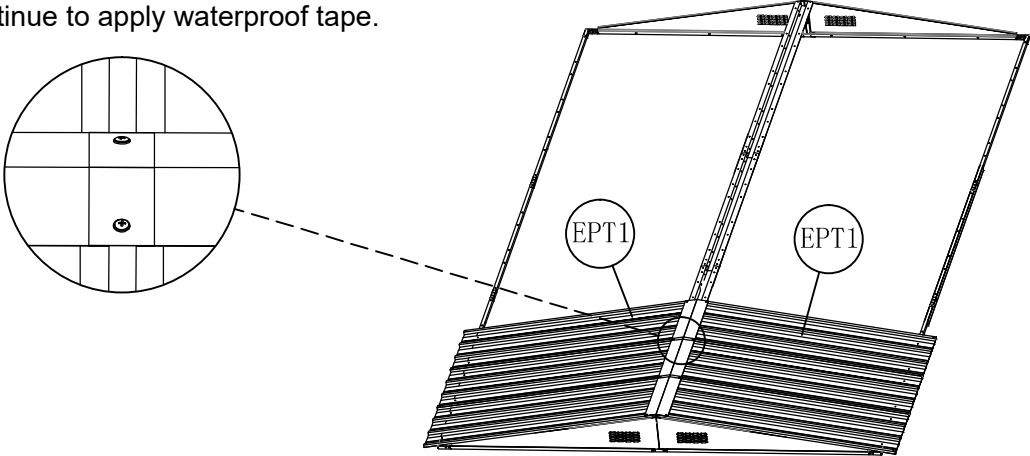


Roof Panels Assembly Step 3-4






STEP 3

	EPT1	2		S3	6		S5	6		ER1	1
	Waterproof tape										

Continue to apply waterproof tape.

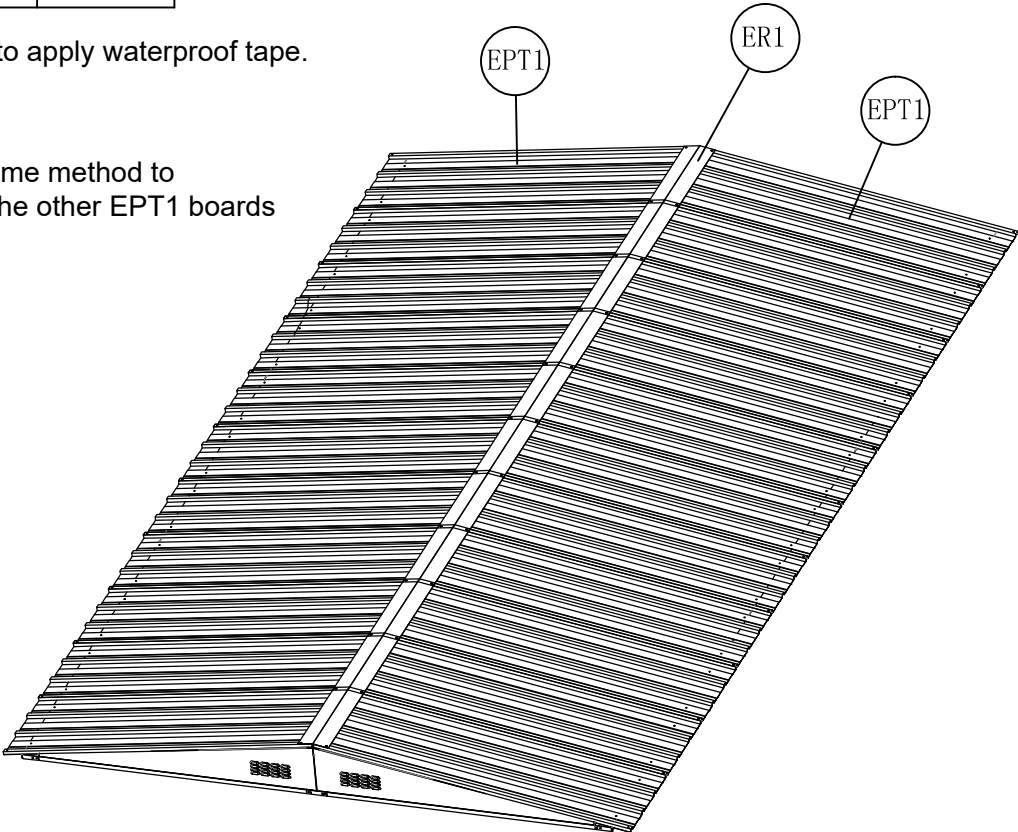


STEP 4

	EPT1	16		S3	48		S5	48		ER1	8
	Waterproof tape										



Continue to apply waterproof tape.

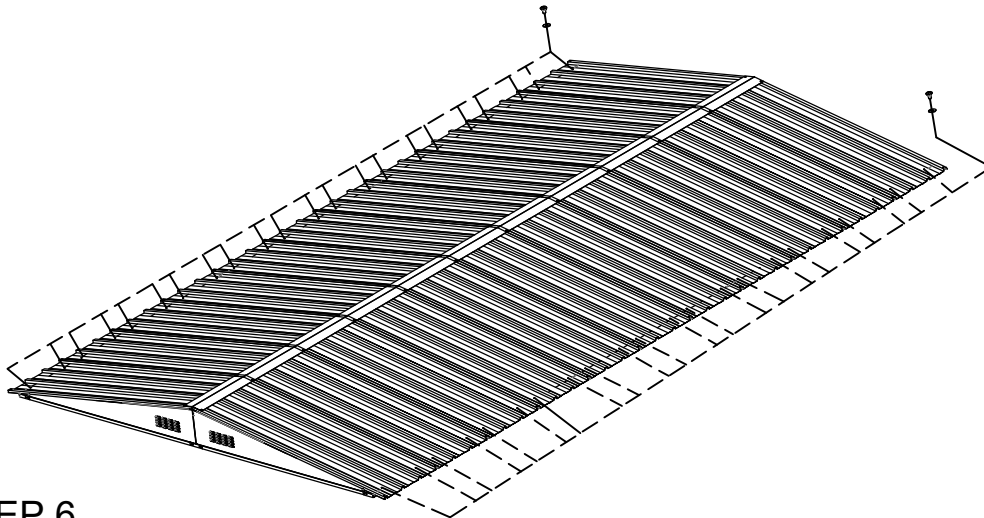
Use the same method to complete the other EPT1 boards and ER1.










Roof Panels Assembly Step 5-6

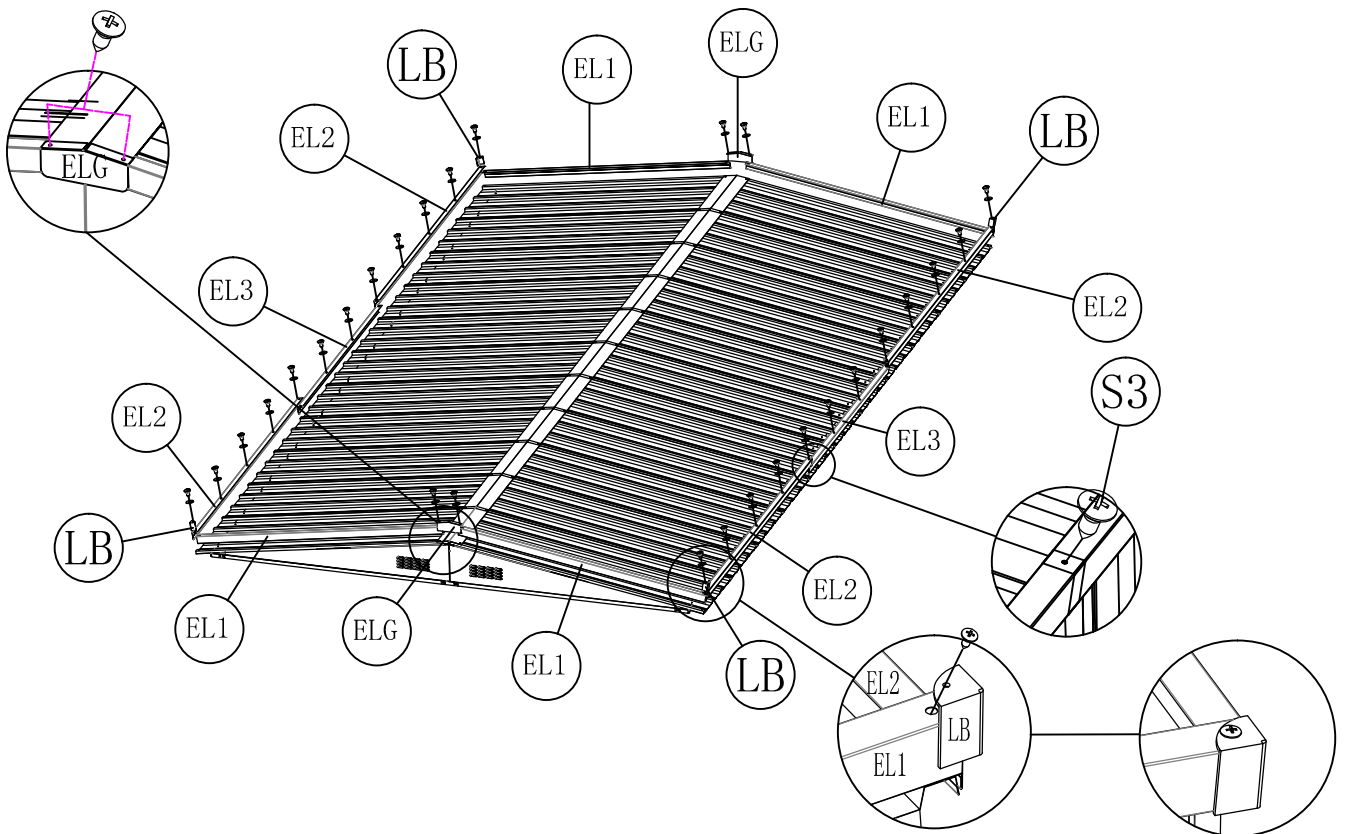
STEP 5

	S3	44		S5	44
---	----	----	---	----	----




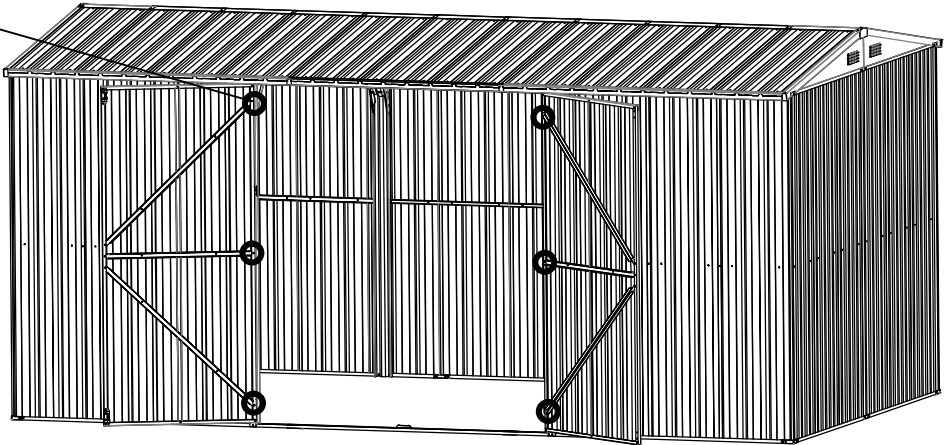
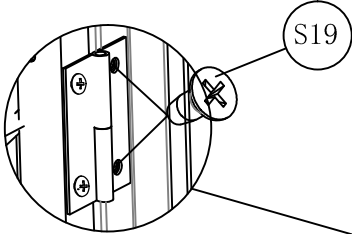
STEP 6



	EL1	4		EL2	4		ELG	2		LB	4
	EL3	2		S3	28		S5	28			

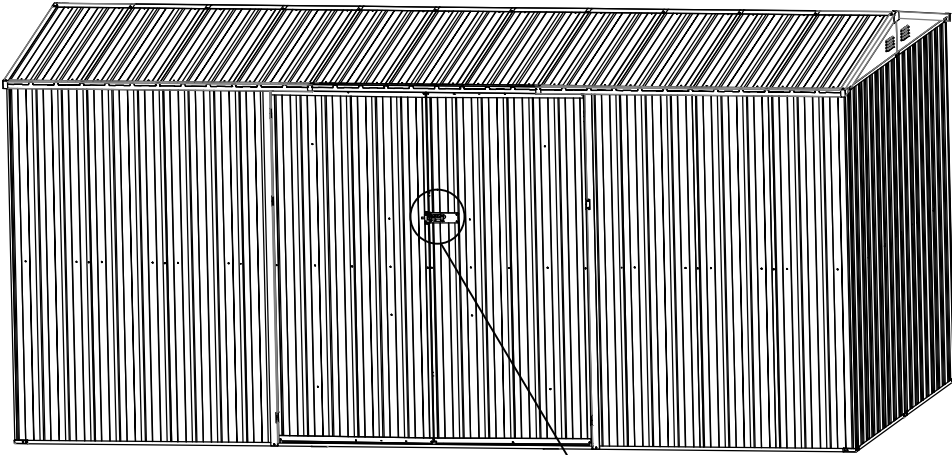


Door Assembly

	S19	12
---	-----	----

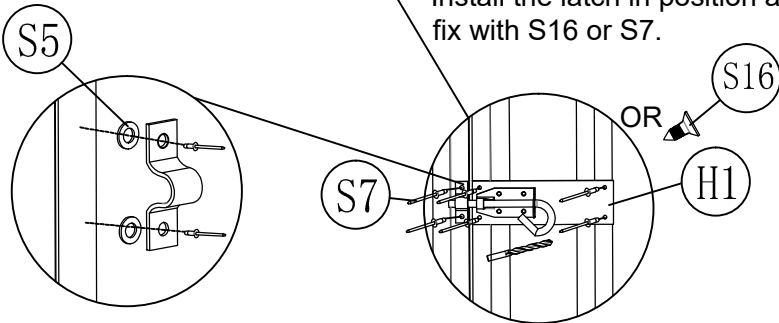


	H1	1		S7	6
---	----	---	---	----	---




Install the latch in position as shown and fix with S16 or S7.

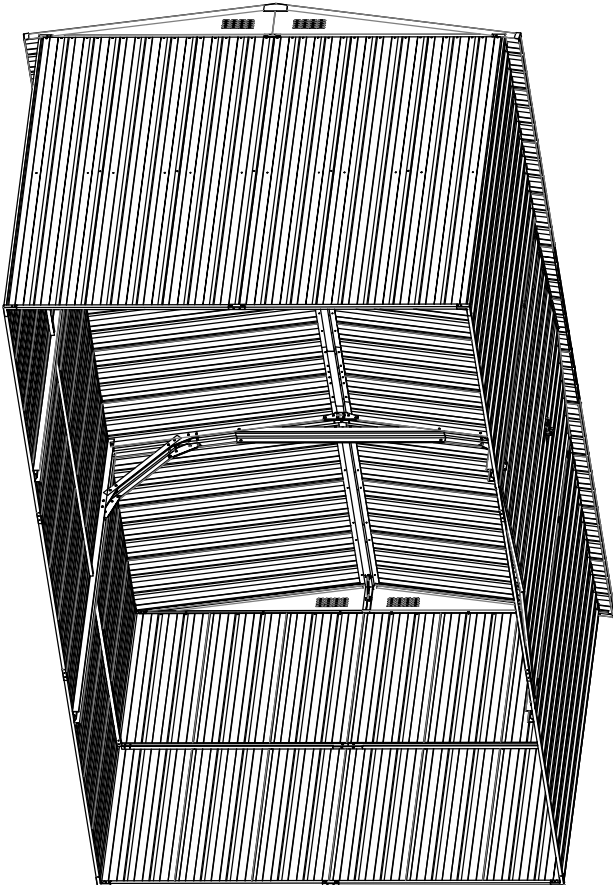
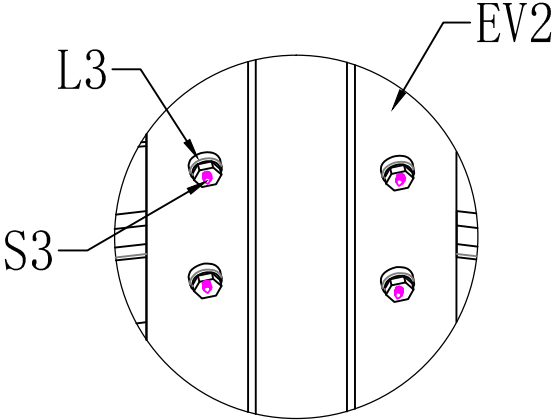
It is easy to use, please add some S5 under H1.



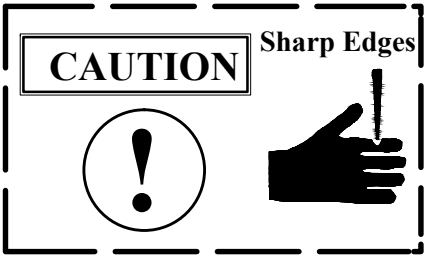
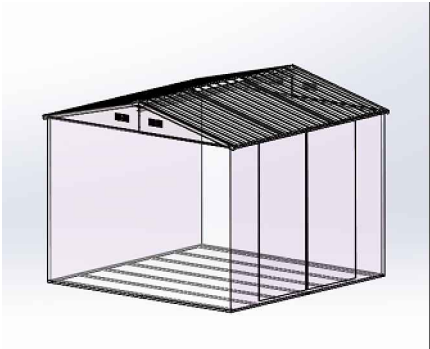
PROTECTION

	L3	44
---	----	----

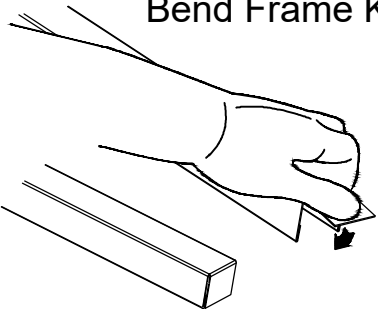
Use L3 screw protection cap to cover screws on the beam.



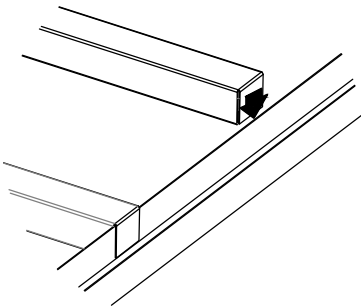
Floor Frame Kit



Bend Frame Kit



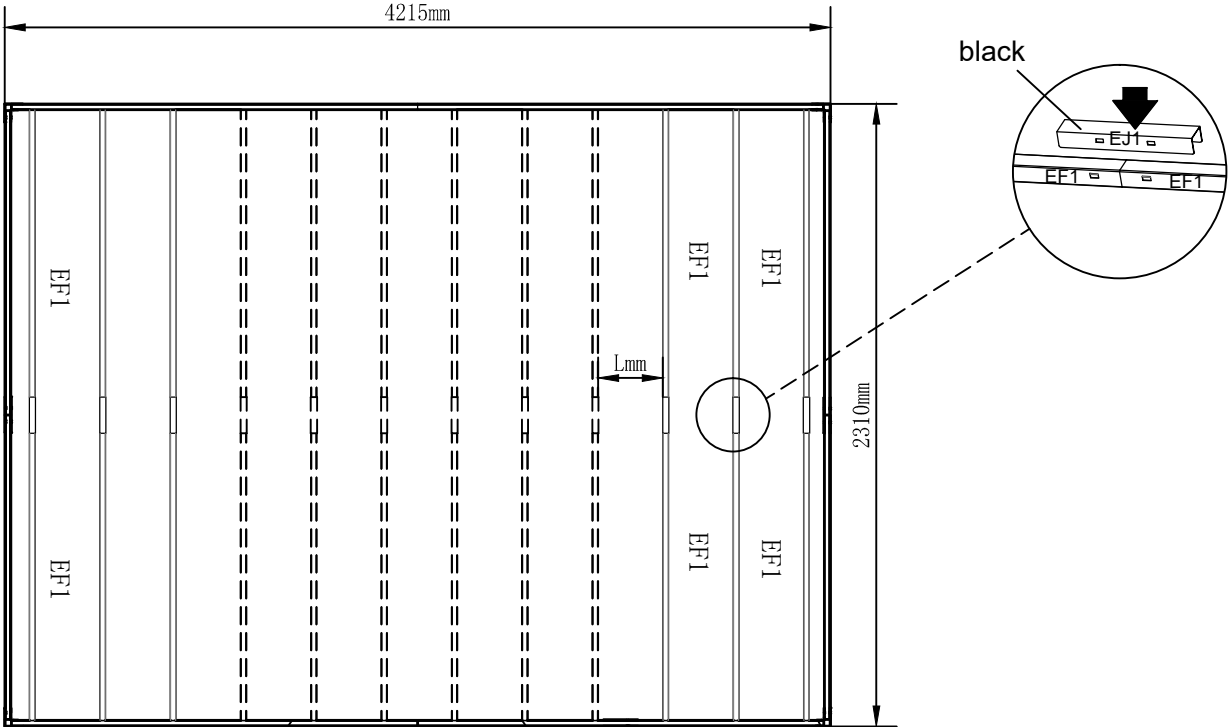
Assemble



	EF1	32		EJ1	16
			black		

NOTE:

Adjust the spacing according to the number of floor frames, and the spacing (L) is between 250mm-300mm.



Doors

The perimeter is the floor frame from the building.