

Basic Information Roof Exit Hatch Comfort | Single Flap

Large smooth cross section over GRP upstand with the dimensions **120 x 350 cm** in conjunction with one FE element, that can be moved horizontally by a motorized opener. The element is suitable as roof exit for stairs, i. e. you can walk upright and comfortably reach the roof. The element is inside without interfering edges and visible drive units and has a high level of thermal insulation, also in the joint area (see isothermal calculation). The element can be equipped with high-quality functional glass and can be used without restriction as a roof exit or ventilation device. The 6° inclination of the surface ensures a good water drainage.

Illustration 1:

Roof exit hatch in closed position

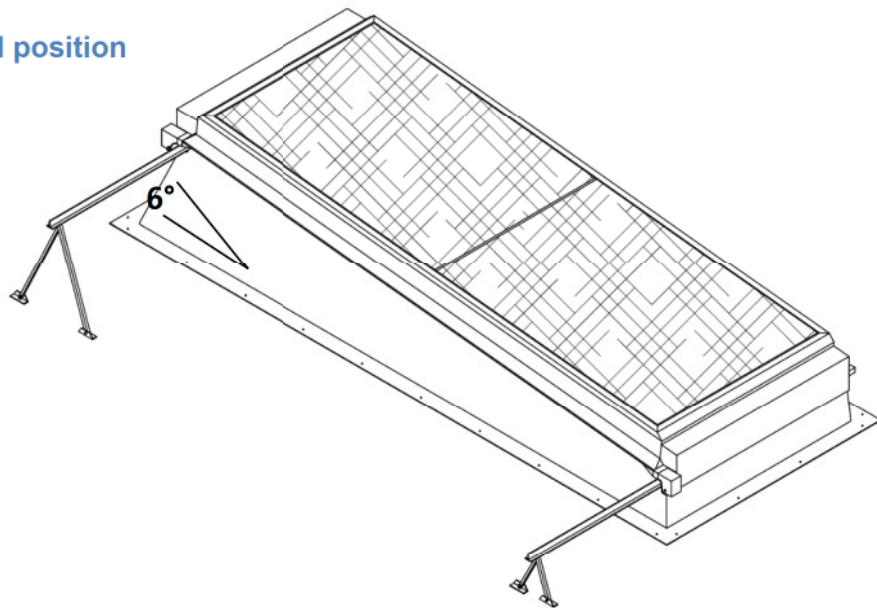
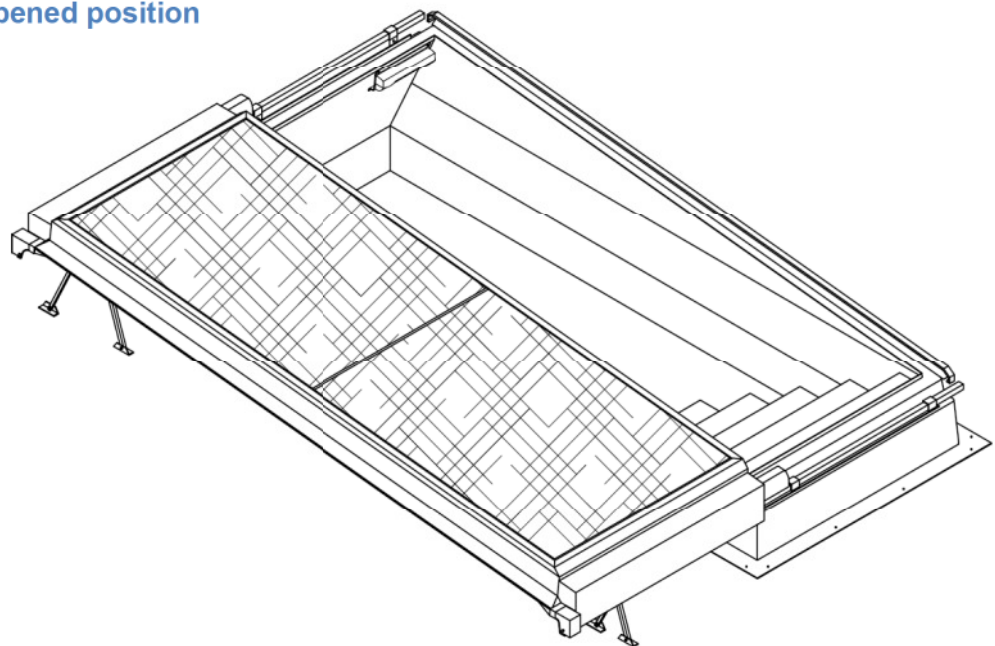


Illustration 2:

Roof exit hatch in opened position



Technical Information

CI System Glass Element F

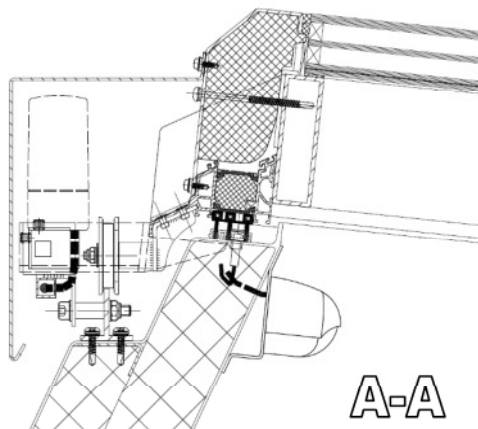
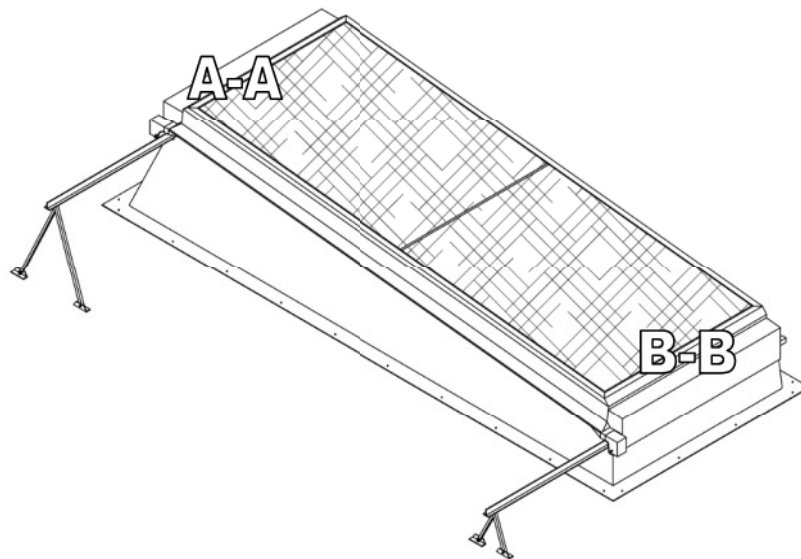
No.: 9.1.1.3.1.9



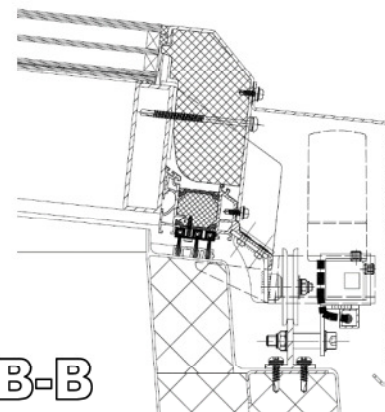
Basic Information

Roof Exit Hatch Comfort | Single Flap

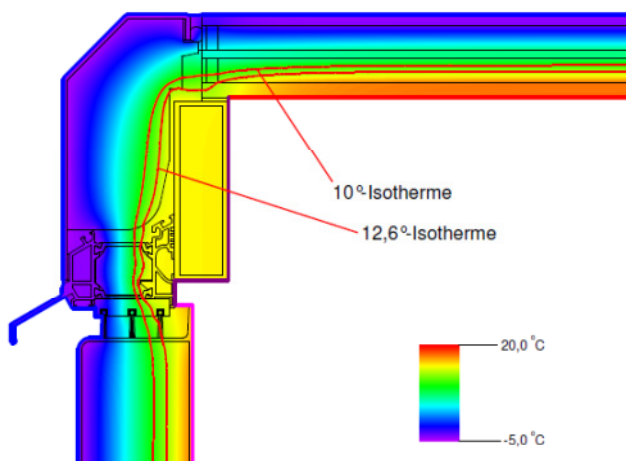
Detailed sections:



A-A



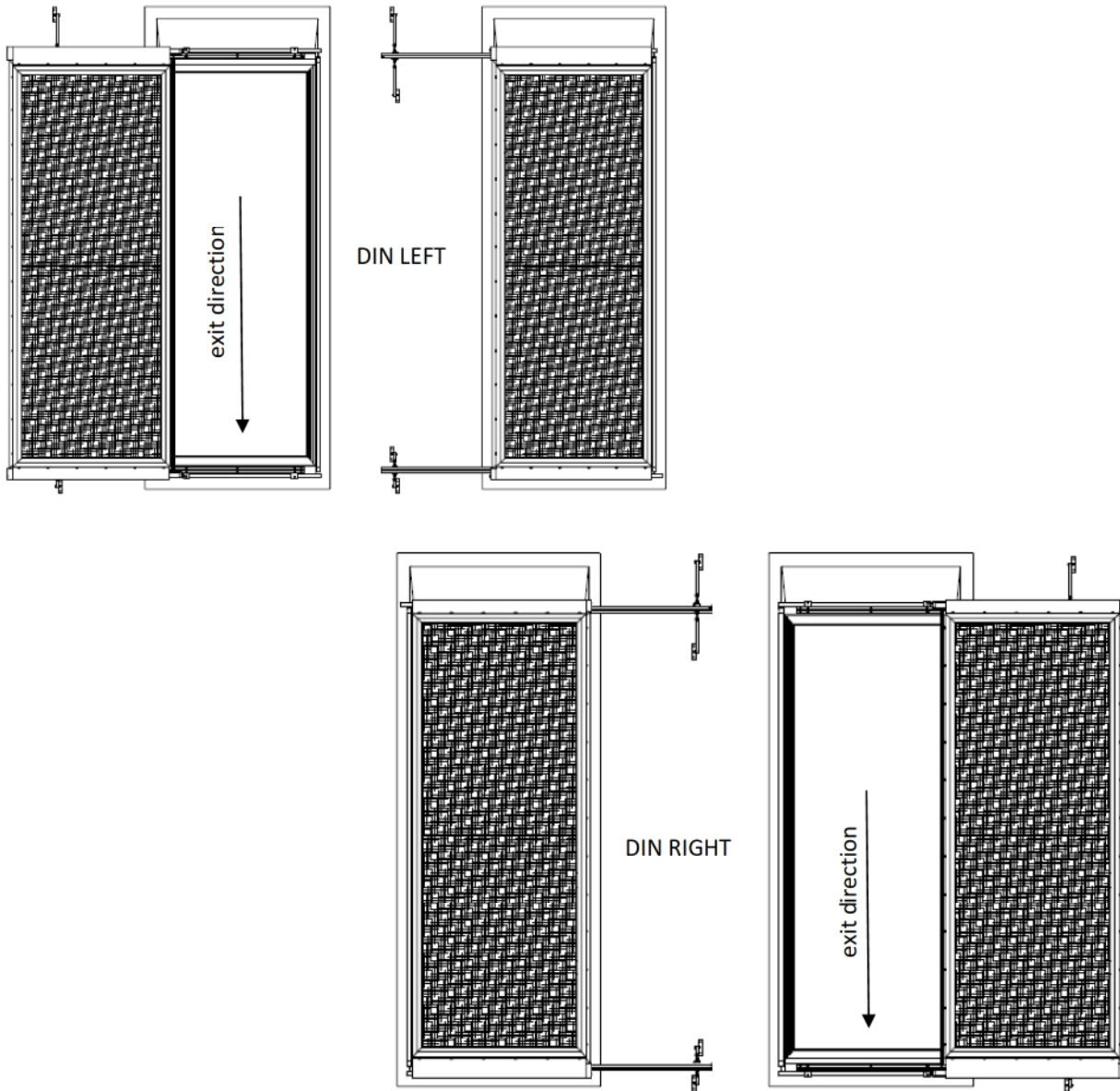
B-B



Basic Information

Roof Exit Hatch Comfort | Single Flap

Top view / Variant overview



Top roof edge size in cm	Inside dimensions in cm	Opening dimension Roof exit hatch (opened on both sides) in cm	Weight
120 x 350	115 x 318	approx. 110 x 318	approx. 370 kg
Glazing with all FE double isolation and sun protection glazing (but including Toughened Safety Glass as outer pane)			
<ul style="list-style-type: none"> • Continuous ventilation for both flaps with pushbutton • Closing edge protection via sensor • Two 24 V linear drives, weatherproof, incl. control unit • Current consumption of motors 1A 			