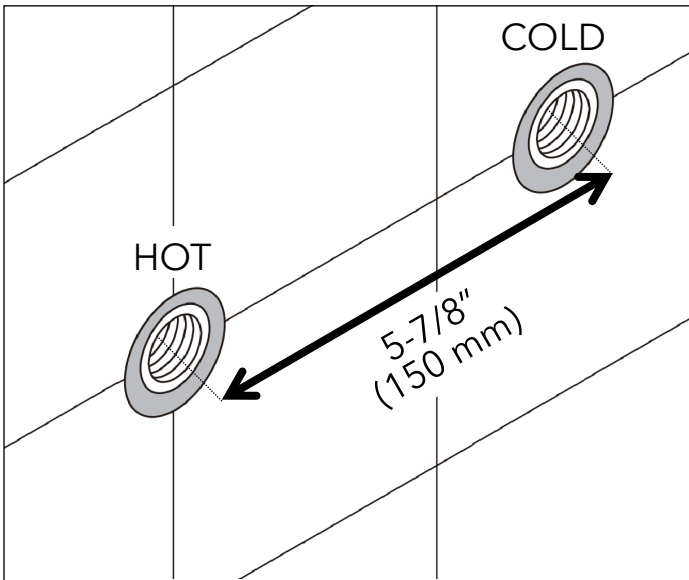
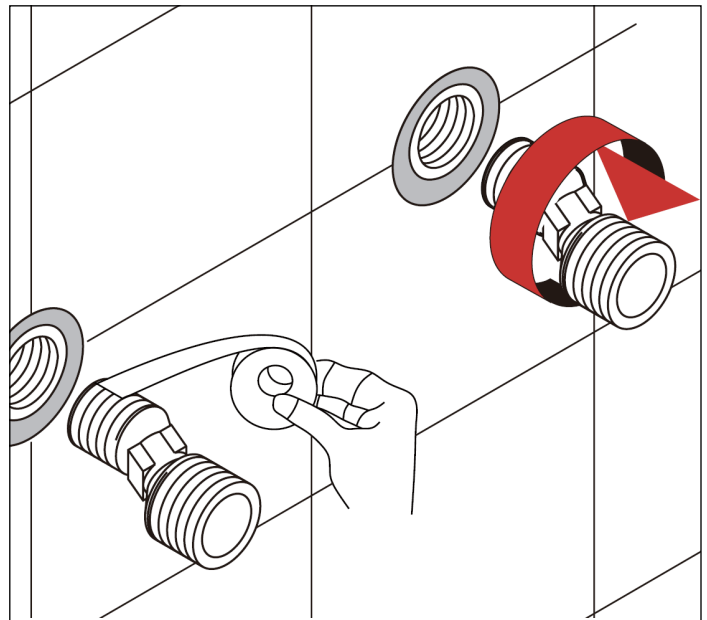


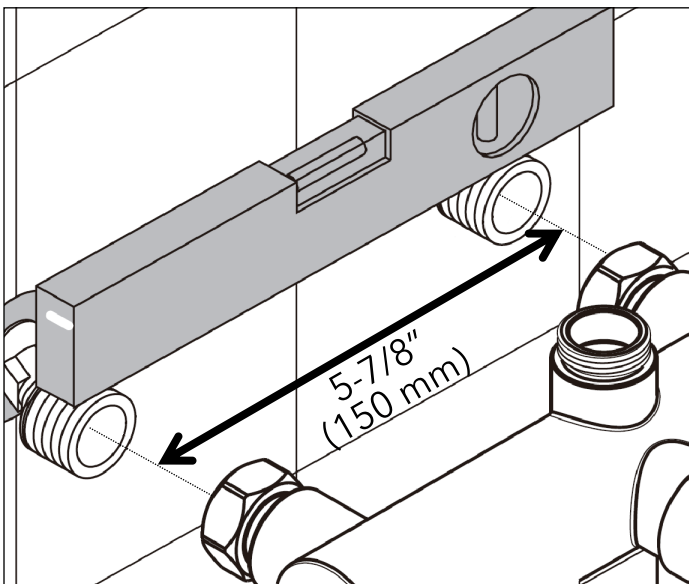
## MONTI DUAL FUNCTION OUTDOOR SHOWER INSTALLATION MANUAL



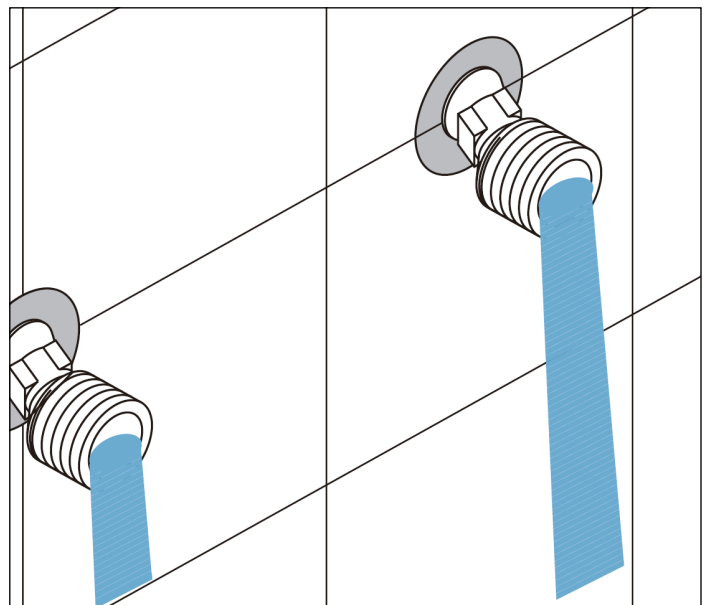
**1.** Provide 1/2" female hot and cold water supplies 5-7/8" (150 mm) apart on center.



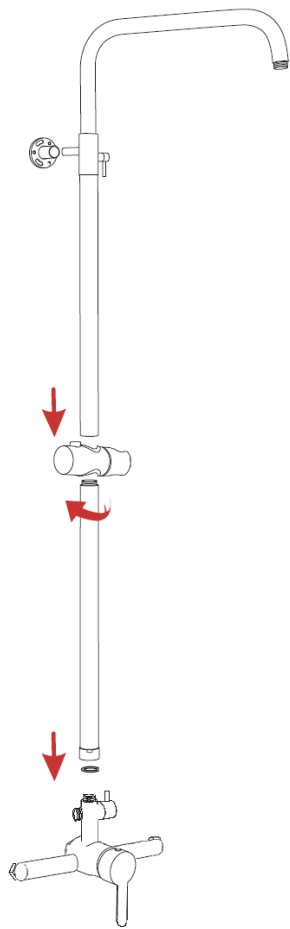
**2.** Connect the installation adapters to the water supplies. Use a small amount of teflon tape to ensure a watertight seal.



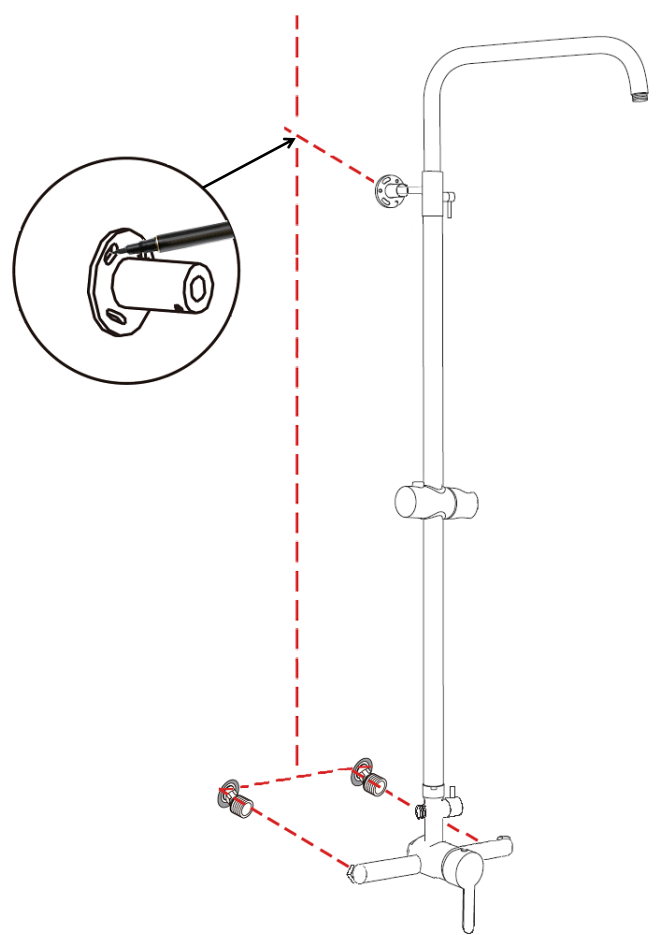
**3.** Adjust the adapters so they are level and exactly 5-7/8" (150 mm) apart on center.



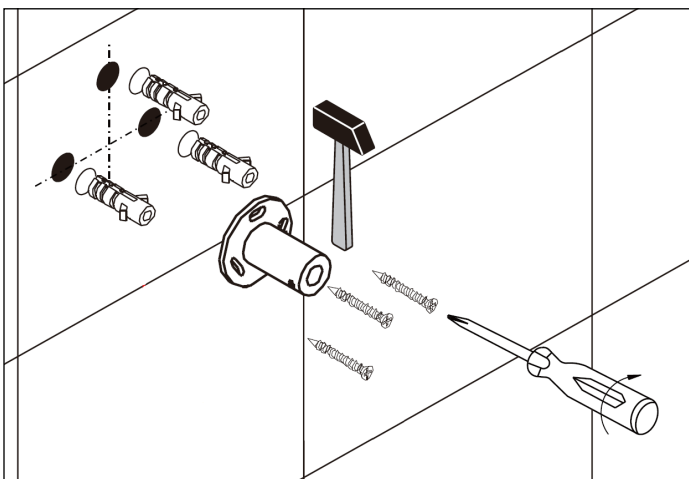
**4.** Turn the water on for several minutes to flush the supply lines. This will prevent dirt and impurities from entering the cartridge and reducing water pressure.



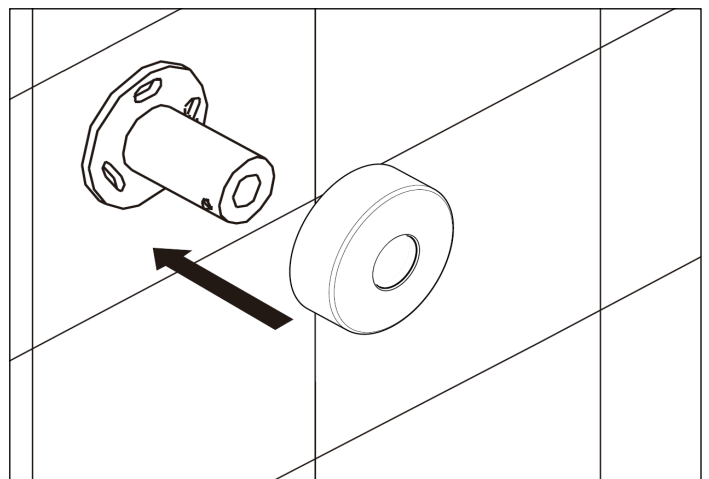
**5.** Assemble the shower set as shown. Use sealing washers where needed.



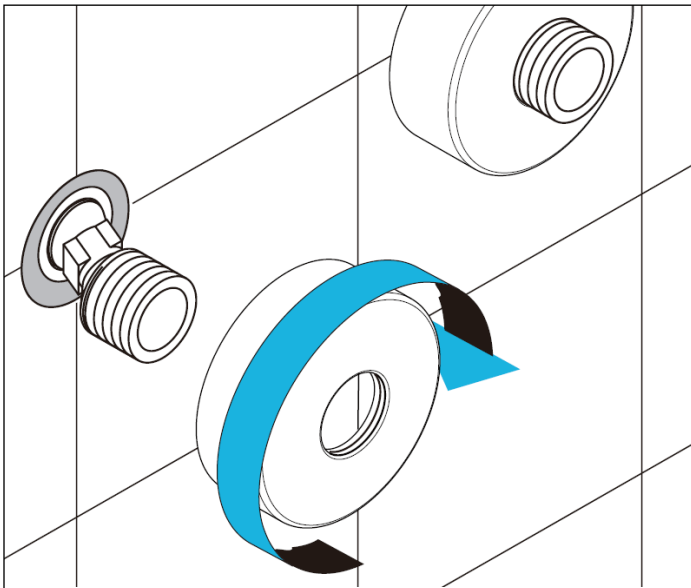
**6.** Hold the assembled shower set in its desired position and mark the location of the mounting bracket.



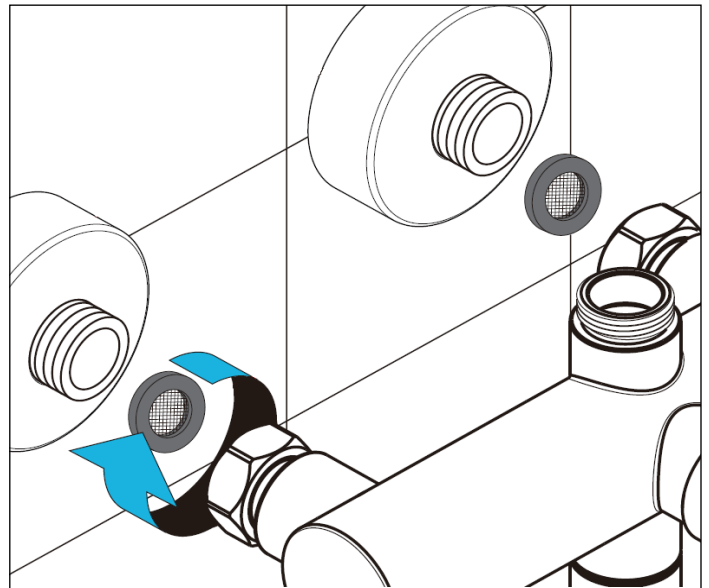
**7.** Install the mounting bracket.



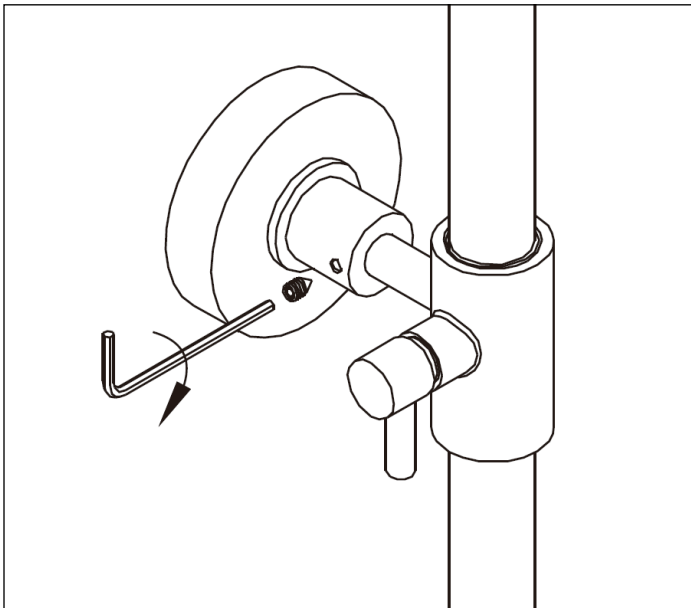
**8.** Install the mounting bracket cover.



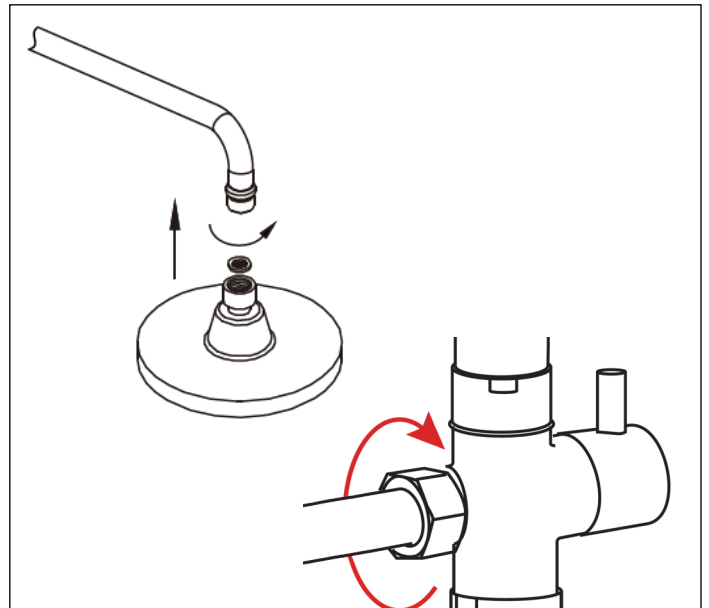
**9.** Place the covers over the installation adapters.



**10.** Connect the main body to the installation adapters. Make sure to use sealing washers.



**11.** Slide the shower set into the mounting bracket and secure into place with the set screw.



**12.** Install the rain shower head and hand shower. Make sure to use sealing washers.