

Outdoor Series



Mahana 42" NG flame
(shown with optional speckled stones, driftwood and LED accent lighting)

MONTIGO[®]
the art of **fireplaces**

Redefine Your Outdoor Space

Enjoy your outdoor area year-round with the comfort of a unique modern fireplace. Montigo fireplaces offer the ultimate in outdoor fire and relaxation.

Versatility

Ventless design creates endless possibilities for placement in your outdoor space. All Montigo outdoor fireplaces are fabricated with high quality 304 stainless steel construction for extended outdoor life.

Customization

From traditional brick liners, all the way to multi-color LED lighting for the Mahana, all fireplaces in the Montigo Outdoor series have numerous options for customization.

Our Guarantee

Rest assured our uncompromising quality and long-term reliability is backed by our limited 10-year warranty.



Mahana 60" with NG flame
(shown with Diamond Glazier firestones)



Mahana 42" with NG flame
(shown with standard Opal firestones)

Mahana

Montigo's outdoor Mahana brings the warmth and comfort of your living room to your patio. Full combustible framing and finishing capable design creates an endless opportunity for outdoor installation. Featuring built-in blowers to provide a curtain of warm air on a cool evening, even in windy conditions.



H38 VO with NG flame
(shown with optional Colonial Brick liner)

H-Series VO

With 3 different sizes available, Montigo's H Series creates an endless opportunity for outdoor installations. Wrought iron grates and brick liners are available to create a traditional look out of a contemporary fireplace.



H-Series H38 SVO with NG flame

H-Series H38 SVO

Enjoy warmth and beauty at every angle with Montigo's H Series see through fireplace. Featuring stainless steel construction, with an optional enclosure for a stand alone installation (shown below.)



H38SVO with LP flame
(shown with optional stainless steel enclosure)

MAHANA 60"

MAHANA 42"

3'

6'

8'

10'

Radiant &
Forced Air Heat
Distribution

More than just a decorative fireplace

The compact 11¾" deep Mahana 42" features two dual blowers which push 28,000 BTU/HR of heat out further than a comparable unit with 40,000-55,000 BTU/HR.

For even more performance, the Mahana 60" features 3 dual blowers pushing out 47,000 BTU's of heat. This, paired with its superior wind resistance and ability to be framed in wood, makes it an instant fit with your outdoor space.

HEARTH&HOME



Outdoor Hearth Products



Mahana 60" with NG flame
(shown with optional stainless steel enclosure)



H42VO with NG flame

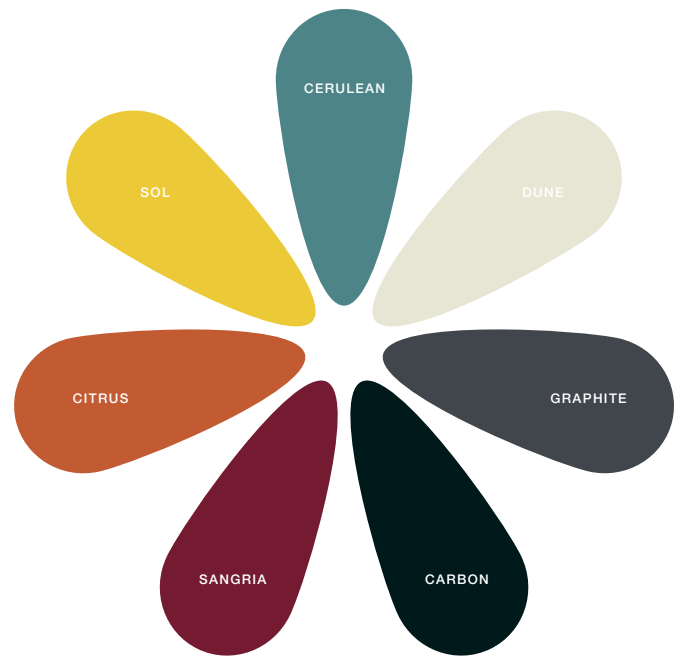


HL38VO with NG flame

A color to compliment your surroundings

MATCH YOUR FIREPLACE TO YOUR OUTDOOR SPACE†

The option of custom color powdercoating for the Mahana enclosures gives you the freedom to have total control over the design of your outdoor living area. Montigo uses only high quality weatherproof powdercoating to keep the color you love looking great long after installation, even under the most severe weather conditions.



†Colors may not replicate exactly as shown



Mahana 42" NG flame shown with cerulean painted enclosure

Burner Media Accessories - Stones & Logs

(Available for Mahana units only)



Speckled Stones (RR150SS for PL42VO)



Driftwood Logset† (Order code: LGS59 for PL42VO x2 for PL60VO)



Fireplace On/Off remote
RXM5010VO
(Available for PL**VO only)



LED remote
MCLEDVO-01
(Available for PL**VO only)

Fireglass

- COPPER HW1143
- ICE HW1157
- PLATINUM HW1144
- OBSIDIAN HW1113

Firestones

- AMBER HW1261
- GLACIER HW1219B
- ALABASTER HW1260
- ONYX HW1259

Firebeads

- IVORY HW1111
- SAGE HW1082
- FROST HW1112
- COASTAL HW1262
- QUARTZ HW1106
- TUXEDO HW1263
- EBONY HW1091

Blends

†Shown with Speckled Stones

H Series Ventless Outdoor standard features:

- Ventless design allows for maximum versatility for outdoor installations
- Clean-face design allows for brick or tile installation over the fireplace frame
- High quality 304 stainless steel construction
- Traditional burner comes standard with fiber logset
- Linear contemporary burner comes standard with White/Silver/Opaque firestones[‡]
- Snap-lock door system
- Hi/Lo control for adjusting flame level (standing pilot only)
- Millivolt control with Piezo spark ignition allows for continuous operation, even during a power failure
- Electronic ignition with outdoor approved control system (“E” models only)

H Series See-Through standard features:

- Ventless stainless steel design allows for maximum versatility for outdoor installations
- Clean-face design allows for brick or tile installation over the fireplace frame
- High quality 304 stainless steel construction
- Traditional burner comes standard with fiber logset
- Linear contemporary burner comes standard with White/Silver/Opaque firestones[‡]
- Snap-lock door system
- Hi/Lo control for adjusting flame level (standing pilot only)
- Millivolt control with Piezo spark ignition allows for continuous operation, even during a power failure
- Electronic ignition with outdoor approved control system (“E” models only)

Mahana standard features:

- Rated for wood frame construction and combustible finishing
- Concealed ribbon burner with multiple media options (standard with Opal firestones)
- Blowers for efficient heat circulation
- High quality 304 stainless steel construction
- Full glass door with Invisimesh screen
- Electronic ignition with outdoor approved control system

H Series VO options:

- A choice of 2 burner styles: traditional or linear contemporary
- Various linear contemporary burner accessories[‡]
- Wrought iron grate for traditional burner
- A choice of 2 brick liners
- Reflective glass panels

Fireplace BTU/H Input		
Model#	Natural Gas	Liquid Propane
H34VO (N,L) (E)	26,000	26,000
H38VO (N,L) (E)	34,000	34,000
HL38VO (N,L) (E)	34,000	34,000
H42VO (N,L) (E)	40,000	40,000

H Series H38 SVO options:

- A choice of 2 burner styles: traditional or linear contemporary
- Various linear contemporary burner accessories[‡]
- Cool to the touch stainless steel enclosure for stand-alone designs (field installed, electronic ignition only)
- Optional screen barrier RTSCH38VO

Fireplace BTU/H Input		
Model#	Natural Gas	Liquid Propane
H38SVO-ST (N,L) (E)	45,000	45,000
HL38SVO-ST (N,L) (E)	45,000	45,000

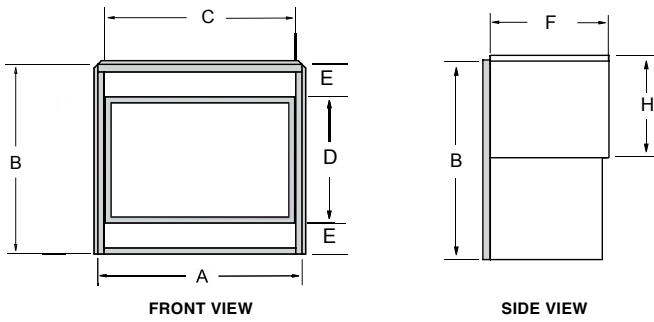
Mahana options:

- Various linear contemporary burner accessories[‡]
- Multi-color LED accent lighting with remote
- On/Off remote control
- Stainless steel enclosure with custom colors available

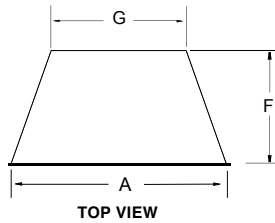
Fireplace BTU/H Input		
Model#	Natural Gas	Liquid Propane
PL42-VO	28,000	28,000
PL60-VO	47,000	47,000

[‡]See accessories page

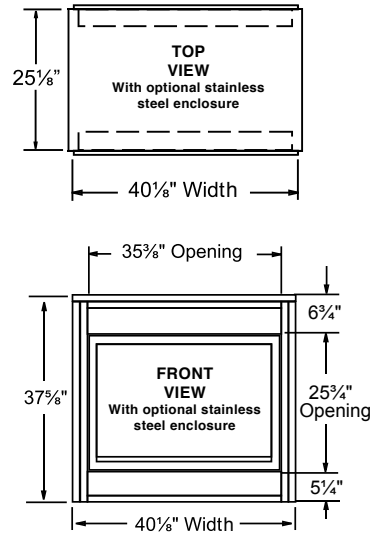
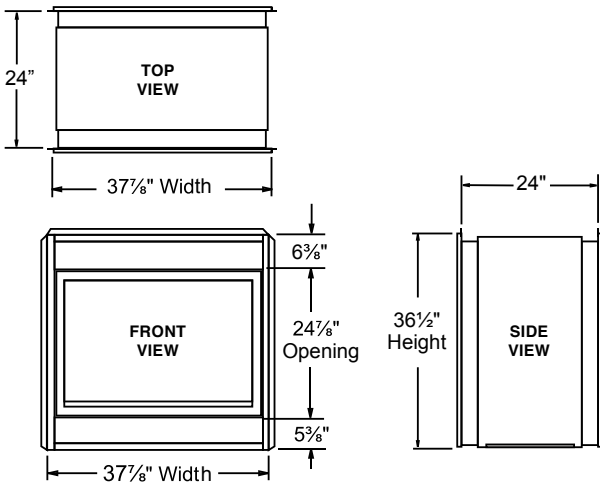
H Series VO dimensions



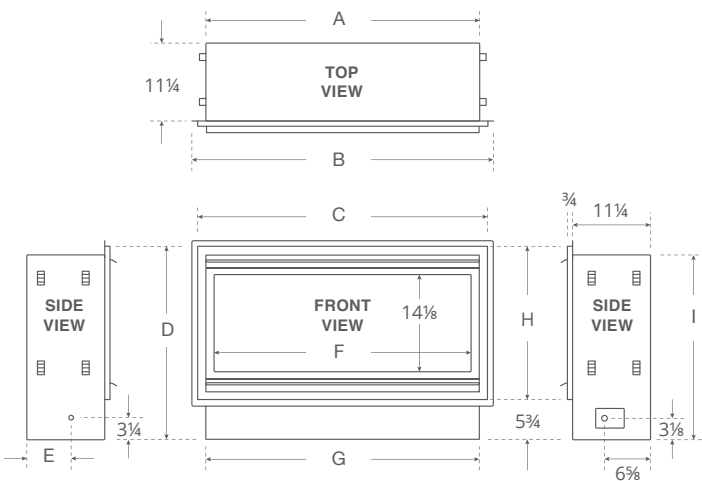
Unit dimensions								
	A	B	C	D	E	F	G	H
H34VO	33 ³ / ₈ "	34 ⁷ / ₈ "	31 ¹ / ₈ "	22 ³ / ₄ "	5 ¹ / ₄ "	19 ³ / ₄ "	24"	18"
H38VO	37 ¹ / ₈ "	37 ⁵ / ₈ "	35 ¹ / ₄ "	25"	5 ¹ / ₄ "	20 ¹ / ₁₆ "	25"	18"
H42VO	42"	41 ¹ / ₄ "	39 ¹ / ₂ "	28 ³ / ₄ "	5 ¹ / ₄ "	21 ¹ / ₈ "	28"	18"



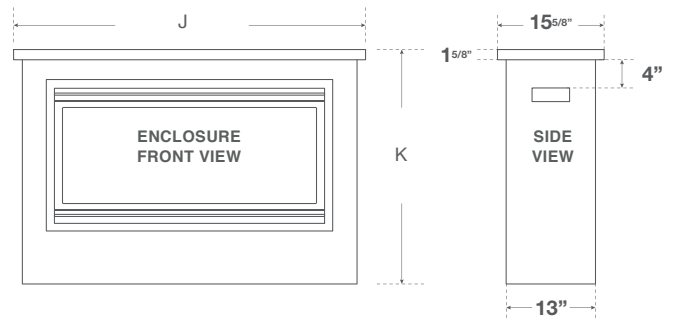
H Series H38 SVO dimensions



Mahana dimensions



Unit Dimensions											
	A	B	C	D	E	F	G	H	I	J	K
PL42VO	39 ³ / ₄ "	43 ³ / ₈ "	42"	28"	6 ³ / ₈ "	37 ¹ / ₄ "	39 ³ / ₄ "	22 ¹ / ₄ "	26 ³ / ₈ "	51 ¹ / ₈ "	34 ³ / ₈ "
PL60VO	63 ³ / ₄ "	67 ⁵ / ₈ "	66"	28 ³ / ₈ "	4 ⁷ / ₈ "	61 ¹ / ₄ "	63 ³ / ₄ "	22 ³ / ₈ "	27 ¹ / ₄ "	76 ³ / ₈ "	35 ³ / ₄ "



Outdoor



H38VO with logset
(shown with optional Heritage Brick liner)

Consult the owner's manual for complete installation instructions, product dimensions and proper clearances to combustible surfaces prior to installing fireplace. All specifications, framing dimensions, product designs, materials and colors are subject to change without notice. The actual flame pattern and color may vary slightly from the illustrations. Diagrams and illustrations are not to scale. Options & accessories may have associated surcharge.

Available at:

WARNING

Some materials used in the manufacturing process of this product can expose you to Benzene which is known in the State of California to cause cancer and birth defects or other reproductive harm. For more information go to www.P65warnings.ca.gov

ARCAT
Printed in Canada

MONTIGO
the art of fireplaces®



P/N XB2210

180202