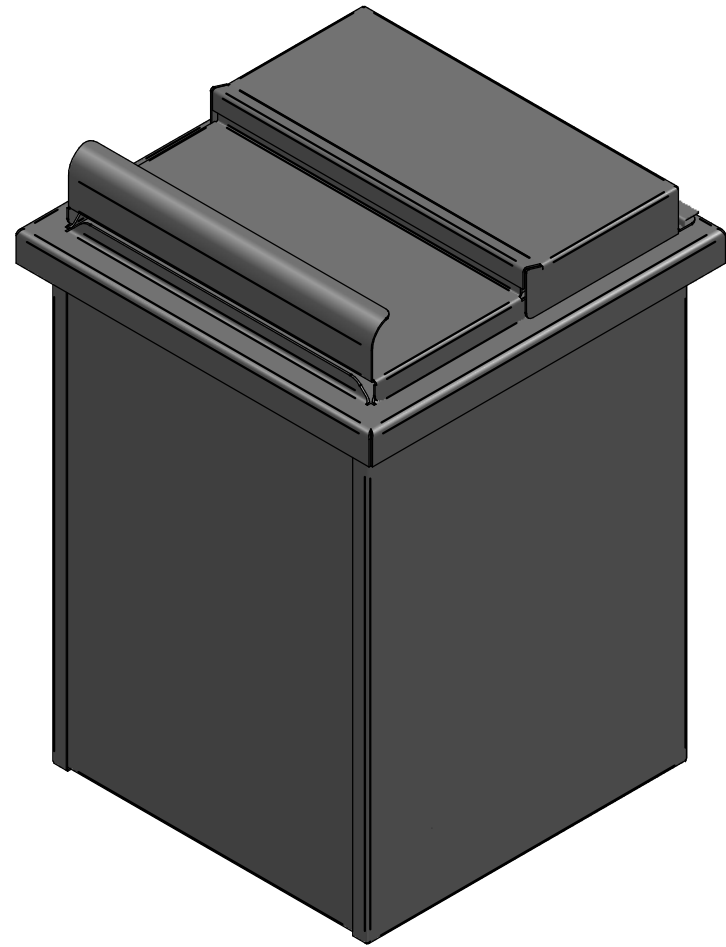
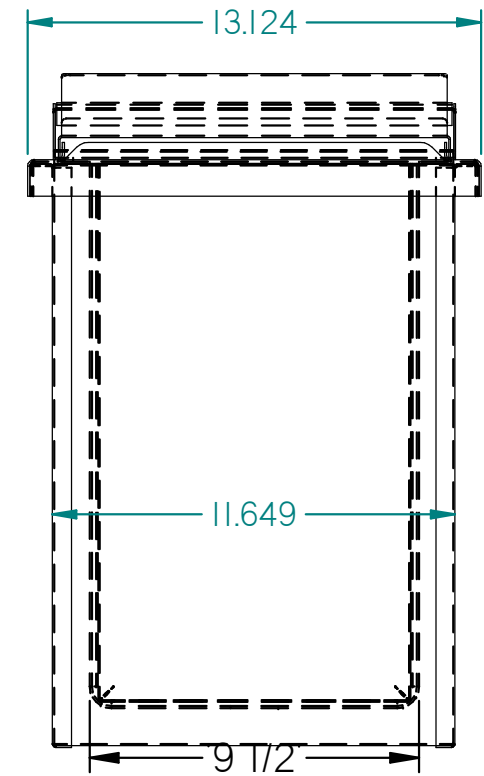
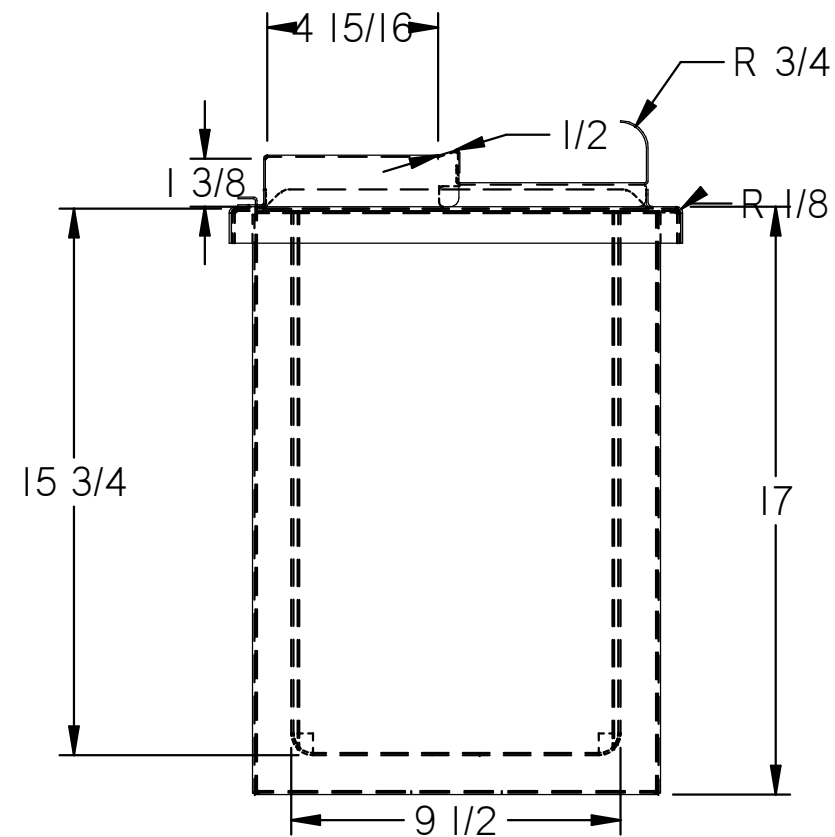


APPROVAL DRAWING



SIGN _____



INSULATED ICE BIN

Proprietary part designed by and intellectual property of Allied Stainless



DEBURR ALL EDGES
ROUTER SUPERCEDES PRINT
UNLESS OTHERWISE SPECIFIED:
DIMENSIONS ARE IN INCHES
ALL ANGLES ARE 90°

TOLERANCES
DECIMALS ANGULAR
.X ± .100 x.X ± 0.5°
.XX ± .020 x. ± 1.0°
.XXX ± .005

UNLESS OTHERWISE SPECIFIED:
ALL BEND DIMENSIONS ± .020
DO NOT SCALE DRAWING

MATL 304ss
FINISH #4 polish
DATE 2/18/2022
DRAWN BY: Dustin
APPROVED: -
SHEET | OF |

PART NAME 30LB ICE BIN-19
Drawing NO. : :
REV. |