

10 AMP DIMMING POWER PACK OR ZONE CONTROLLER

SPECIFICATIONS



Input Voltage: AC120-277V

Frequency: 60Hz

Input Current: 10 Amp

Input Power: 720-1662W

Output Voltage: AC120-277V

Output Current: 10 Amp

Output Power: 720-1662W

Dimming: Class 2, 0-10V DC 10mA Max

Sinking Current: 10mA Max

Bluetooth Transmit: 200ft Max

Radio Frequency: 2.4GHz ± 75MHz

Bluetooth Version: 4.2

Housing Material: UL 94-5VA,

Indoor Use Only

Operating Temperature: -30°C to 65°C,

-22°F to 149°F

Storage Temperature: -30°C to 85°C,

-22°F to 185°F

IP Rating: IP20

Color: White

Warranty: Limited Lifetime

Comply to UL8750, UL2043, UL1376, RoHS

Safety: cULus Listed LED Controller

E504054

FCC ID: 2A26YLTkTVT2021

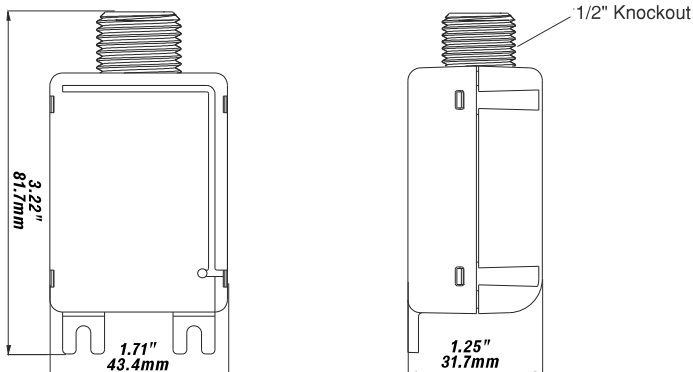
DID: D057145

DLC: NLTRC5KL0TN

FEATURES

The SMRT PP10-DIM-BT is a robust 10 amp, 0-10V dimming, Bluetooth network based power pack or zone controller for the SMRT wireless or wired platforms. It comes standard with a quick connect allowing you to add a PIR/daylight harvesting sensor if desired. Configure and operate your lights with the free Bluetooth smart phone App. Add multiple groups to a zone in our Bluetooth app. (up to 100). Power pack is plenum rated, and will control wired wall switches, or up to 6 wireless wall switches.

DIMENSIONS / WIRING



— BLACK- 18 AWG AC INPUT 120V/277V
 — WHITE- 18 AWG AC INPUT 120V/277V
 — RED- 18 AWG TO LOAD

— PINK- 22 AWG TO 0/10V
 — PURPLE- 22 AWG TO 0/10V

— YELLOW, BROWN, BLUE, PINK 22 AWG,
 WITH QUICK CONNECT IS FOR
 PIR SENSOR/DAYLIGHT SENSOR
 IF BEING USED. (BYPASS IF NOT BEING USED)

POWER PACK MOUNTS TO STANDARD 4" SQUARE OR 4" OCTAGONAL JUNCTION BOX WITH 1/2" KNOCKOUT

WIRING DIAGRAM

