



# SMRT-PIR-WH-BT

## SPECIFICATIONS

# PIR CEILING MOUNT MOTION SENSOR

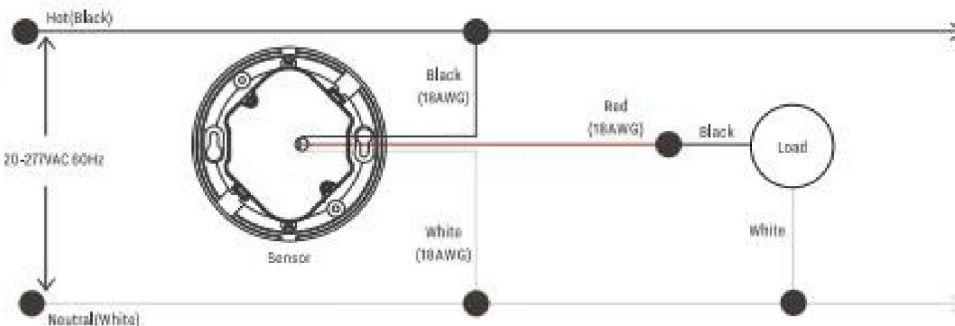
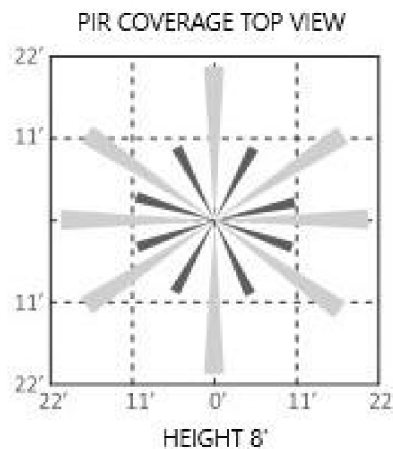
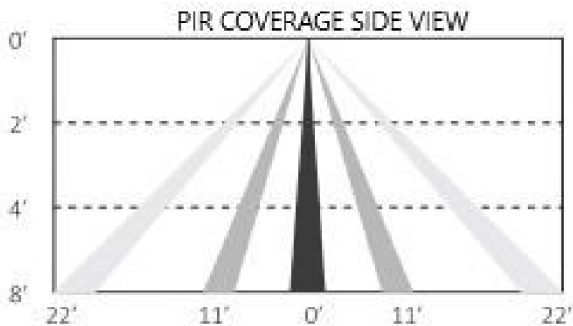
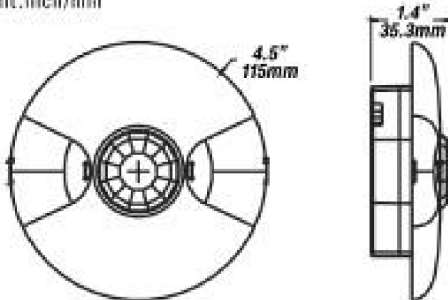


## FEATURES

The SMRT PIR-WH-BT is a sleek, powerful Passive Infrared (PIR) ceiling mount motion sensor that runs on the SMRT Bluetooth network based system. The sensor utilizes reliable Passive Infrared (PIR), technology, providing a high level of reliability, accuracy and coverage. The sensor can be set to Occupancy, which auto detects motion to trigger the lights to an on state, and then will time out and turn the lights off when there is no motion present. It can also be set to Vacancy, which requires turning the lights on with a wall switch, and then will time out and turn the lights off when there is no motion present. The sensor can be configured in our free Bluetooth app.

## DIMENSIONS / WIRING / DETAILS

UNIT: INCH/MM



Input Voltage: AC120-277V  
 Frequency: 60Hz  
 Incandescent: 800W Max @ 120VAC  
 Electronic Ballast: 800VA Max @ 120VAC, 1600VA Max @ 277VAC  
 Resistive: 10A Max @ 120VAC  
 Motor: 1/4 HP @ 120VAC

Bluetooth Transmit: 100ft Max  
 Radio Frequency: 2.4GHz ± 75MHz  
 Bluetooth Version: 5.0  
 Housing Material: UL 94-5VA

Indoor Use Only  
 Operating Temperature: 0°C to 55°C, 32°F to 131°F  
 Storage Temperature: -30°C to 85°C, -22°F to 185°F

IP Rating: IP20  
 Color: White  
 Warranty: Limited Lifetime

Comply to UL773A, UL1376, RoHS  
 Safety: cULus Listed E313780  
 Photoelectric Switches  
 FCC ID: 2A26YLTKTVT2021  
 DID: D061367  
 DLC: NLTRC5KL0TN

