



PIR CEILING MOUNT MOTION SENSOR

SMRT-PIR-WH-BT

SPECIFICATIONS

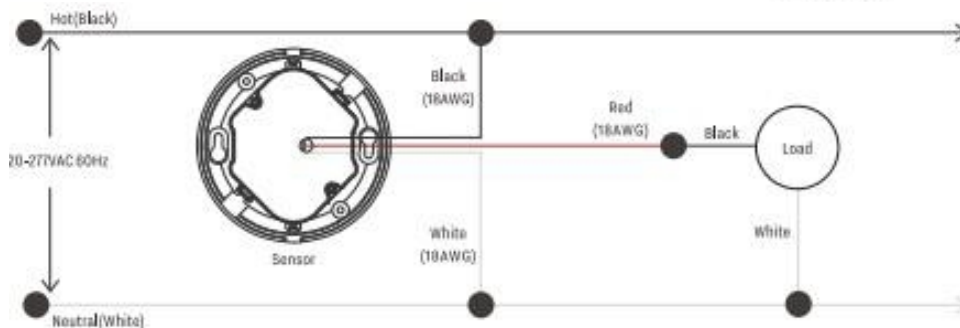
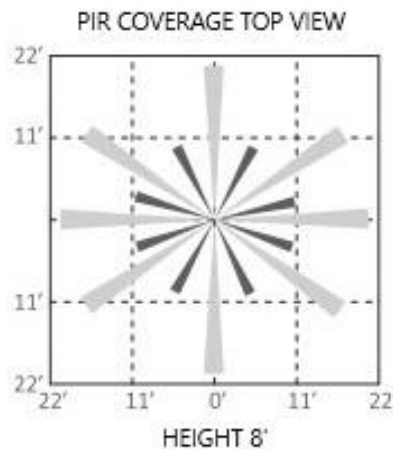
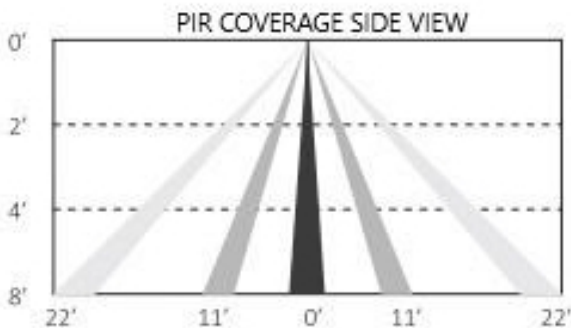
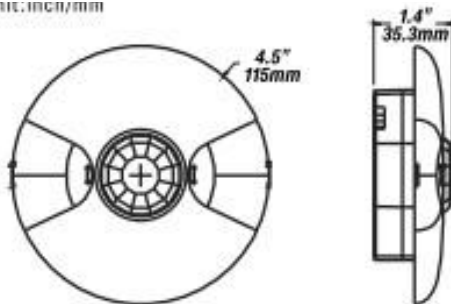


FEATURES

The SMRT PIR-WH-BT is a sleek, powerful Passive Infrared (PIR) ceiling mount motion sensor that runs on the SMRT Bluetooth network based system. The sensor utilizes reliable Passive Infrared (PIR), technology, providing a high level of reliability, accuracy and coverage. The sensor can be set to Occupancy, which auto detects motion to trigger the lights to an on state, and then will time out and turn the lights off when there is no motion present. It can also be set to Vacancy, which requires turning the lights on with a wall switch, and then will time out and turn the lights off when there is no motion present. The sensor can be configured in our free Bluetooth app.

DIMENSIONS / WIRING / DETAILS

UNIT: INCH/MM



Input Voltage: AC120-277V
Frequency: 60Hz
Incandescent: 800W Max @ 120VAC
Electronic Ballast: 800VA Max @ 120VAC, 1600VA Max @ 277VAC
Resistive: 10A Max @ 120VAC
Motor: 1/4 HP @ 120VAC
Bluetooth Transmit: 100ft Max
Radio Frequency: 2.4GHz ± 75MHz
Bluetooth Version: 5.0
Housing Material: UL 94-5VA
Indoor Use Only
Operating Temperature: 0°C to 55°C, 32°F to 131°F
Storage Temperature: -30°C to 85°C, -22°F to 185°F
IP Rating: IP20
Color: White
Warranty: Limited Lifetime
Comply to UL773A, UL1376, RoHS
Safety: cULus Listed E313780
Photoelectric Switches
FCC ID: 2A26YLTKTVT2021
DID: D061367
DLC: NLTRC5KL0TN

