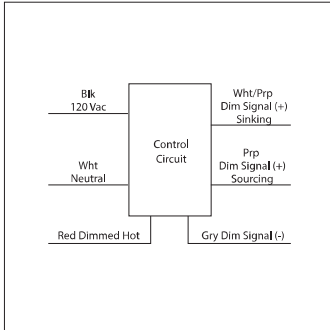


0-10V CONTROLLED PHASE ANGLE DIMMER

LR01F600

Phase Angle Dimmer, 0-10 Vdc Input, 120 Vac Power Input, 600W Rated, Dimming Mode Selectable, NEMA 1 Housing



SPECIFICATIONS

- Operating Temperature:** -30 to 122 F
- Humidity Range:** 5 to 95% (noncondensing)
- Red LED:** Power Status
- Dimensions:** 4.00"H x 4.00"W x 1.81"D with 0.50" NPT nipple
- Housing Detail:** See **Housing C** in housing guide for dimensions
- Origin:** Made of US and non-US parts
- Wires:** 16", 600V rated
- Approvals:** UL Listed, UL916, C-UL, RoHS
- Housing Rating:** UL Accepted, NEMA 1
- Max Lighting Load:** 600W Incandescent/Halogen
Recommended 300W max for other dimmable lighting loads
- Min Lighting Load:** 1W
- Dim to off:** Yes
- Selectable Dimming Mode:** Yes
- Selectable Low Dim Threshold:** No
- Power Input Ratings:** 100mA @ 120 Vac; 60Hz

Notes:

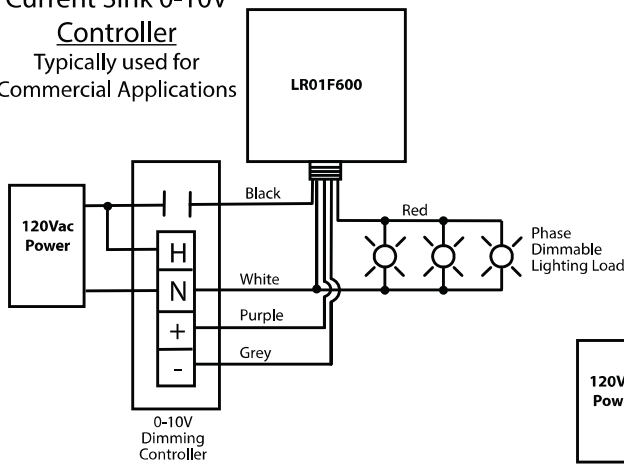
- DIP switches on unit can change dimming between leading or trailing edge and between sinking or sourcing 0-10V control standards.
- Purple wire is used with Current Sink 0-10V controllers and White/Purple wires are used with Current Source 0-10V controllers.
- Not for use with Magnetic Low Voltage (MLV) loads.
- Low Voltage wires not Class 2

Switch Settings

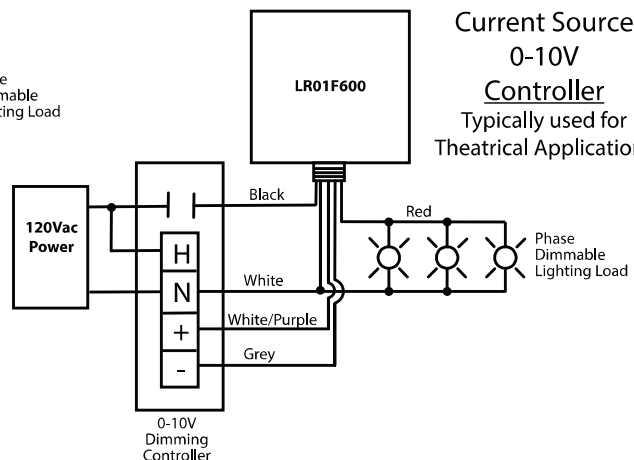
Switch 1	ON	Leading Edge Dimming
Switch 1	OFF	Trailing Edge Dimming
Switch 2	ON	Current Source 0-10V
Switch 2	OFF	Current Sink 0-10V

TYPICAL APPLICATION

Current Sink 0-10V Controller
Typically used for Commercial Applications



Current Source 0-10V Controller
Typically used for Theatrical Applications

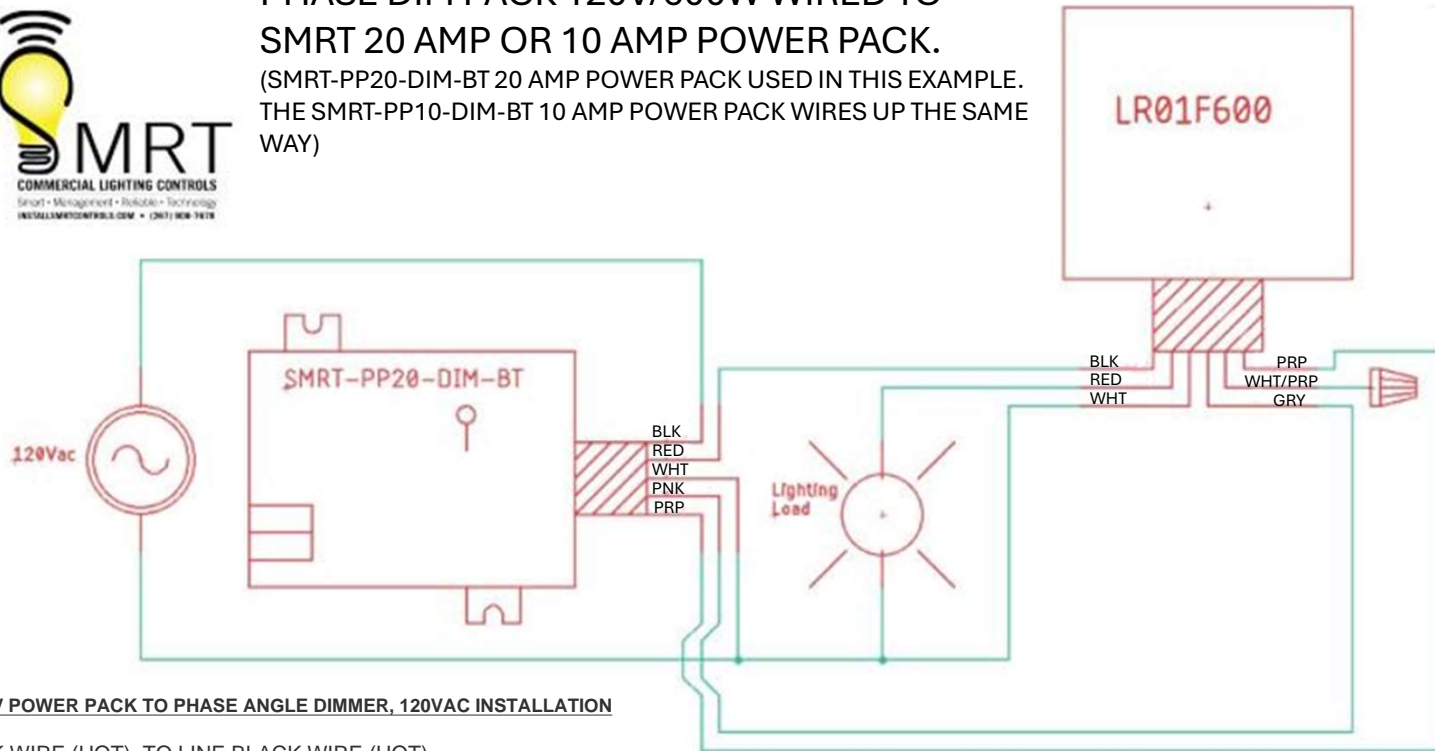




WIRING DIAGRAM

PHASE DIM PACK 120V/600W WIRED TO SMRT 20 AMP OR 10 AMP POWER PACK.

(SMRT-PP20-DIM-BT 20 AMP POWER PACK USED IN THIS EXAMPLE.
THE SMRT-PP10-DIM-BT 10 AMP POWER PACK WIRES UP THE SAME
WAY)



SMRT 10 AMP OR 20 AMP 0-10V POWER PACK TO PHASE ANGLE DIMMER, 120VAC INSTALLATION

SMRT POWER PACK BLACK WIRE (HOT), TO LINE BLACK WIRE (HOT).

SMRT POWER PACK RED LOAD WIRE, TO PHASE ANGLE DIMMER BLACK WIRE (HOT).

SMRT POWER PACK WHITE WIRE (NEUTRAL), TO LINE WHITE WIRE (NEUTRAL), & TO PHASE ANGLE DIMMER WHITE NEUTRAL, AND TO LOAD WHITE NEUTRAL.

SMRT POWER PACK 0-10V LOW VOLTAGE DIMMING PINK WIRE, TO PHASE ANGLE DIMMER 0-10V LOW VOLTAGE DIMMING GREY WIRE.

SMRT POWER PACK 0-10V LOW VOLTAGE DIMMING PURPLE WIRE, TO PHASE ANGLE DIMMER 0-10V LOW VOLTAGE DIMMING PURPLE WIRE.

PHASE ANGLE DIMMER RED LOAD WIRE, TO LOAD BLACK WIRE (HOT)

PHASE ANGLE DIMMER PURPLE AND WHITE WIRE TO BE UN-USED AND CAPPED OFF.

THIS WILL MARRY THE TWO DEVICES TOGETHER WHERE THE PHASE LIGHTS WILL APPEAR ON THE BLUETOOTH APP FOR CONFIGURATION AND ON/OFF OR DIM CONTROL BY A WIRELESS OR AC WIRED WALL SWITCH, AS WELL AS A VIRTUAL WALL SWITCH ON THE APP.