



# EXTERNAL HIGH BAY SENSOR



# SMRT-HBS-BT

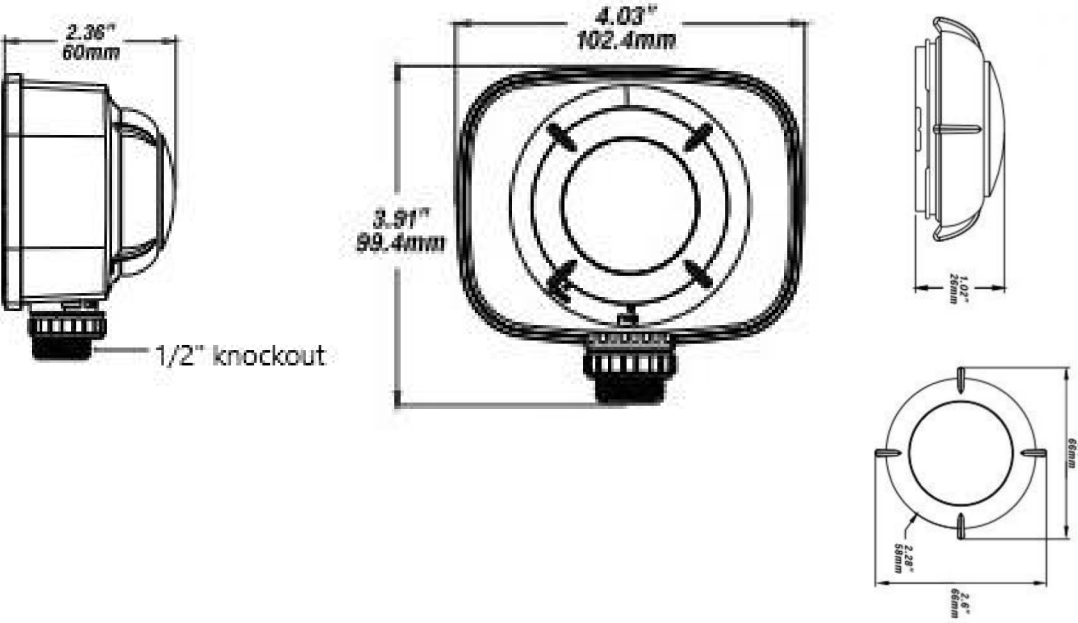
## SPECIFICATIONS

Input Voltage: AC120-277V
Frequency: 50/60Hz
Input Current: 10A Max @ 120V, 4.3A Max @ 277V
Input Power: 1200W Max
Output Voltage: AC120-277V
Output Current: 10A Max @ 120V, 4.3A Max @ 277V
Output Power: 1200W Max
Dimming: Class 2, 0-10V DC 10mA Max
Sinking Current: 10mA Max
Bluetooth Transmit: 200ft Max
Radio Frequency: 2.4GHz ± 75MHz
Bluetooth Version: 4.2
Housing Material: UL 94-5VA
Detection Range: 40-80ft
Mounting Height: 20-40ft
Indoor/Outdoor Use
Operating Temperature: -30°C to 55°C, -22°F to 131°F
Storage Temperature: -30°C to 85°C, -22°F to 185°F
IP Rating: IP66
Color: White
Warranty: Limited Lifetime
Comply to UL8750, UL1376, RoHS
Safety: cULus Listed LED Controller E504054
FCC ID: 2A26YLTKTVT2021
DID: D057145
DLC: NLTRC5KLOTN

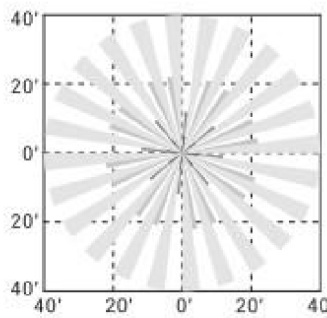
## FEATURES

The SMRT HBS-BT External High Bay PIR Sensor is powered by the SMRT Network which utilizes Bluetooth technology for reliable and secure wireless communication. The SMRT-HBS-BT High Bay Sensor has been equipped with **ALGOH** algorithm to maximize the detection range up to 40 ft high without false triggers. It is designed for High Bay applications, and has analog sensor built in. There are replaceable lensing options, and can also be configured for Daylight Harvesting applications.

## DIMENSIONS / WIRING / DETAILS



Coverage Top View



Coverage Side View

