

EXTERNAL HIGH BAY SENSOR



SMRT-HBS-BT

SPECIFICATIONS

Input Voltage: AC120-277V
 Frequency: 50/60Hz
 Input Current: 10A Max @ 120V,
 4.3A Max @ 277V
 Input Power: 1200W Max
 Output Voltage: AC120-277V
 Output Current: 10A Max @ 120V,
 4.3A Max @ 277V
 Output Power: 1200W Max
 Dimming: Class 2, 0-10V DC 10mA Max
 Sinking Current: 10mA Max

Bluetooth Transmit: 200ft Max
 Radio Frequency: 2.4GHz ± 75MHz
 Bluetooth Version: 4.2
 Housing Material: UL 94-5VA
 Detection Range: 40-80ft
 Mounting Height: 20-40ft
 Indoor/Outdoor Use

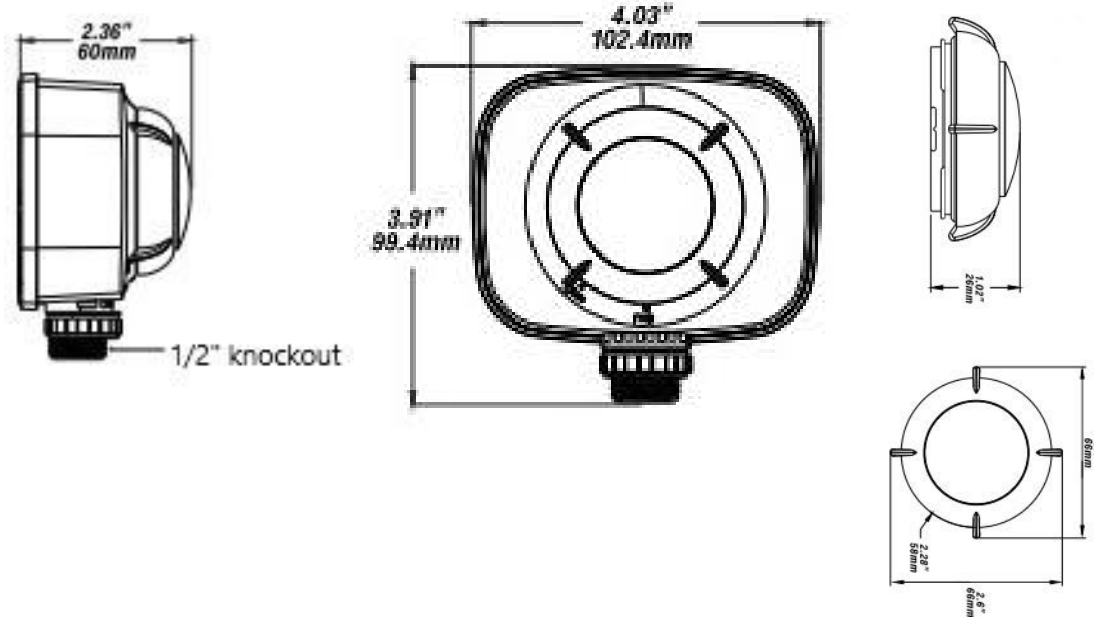
Operating Temperature: -30°C to 55°C,
 -22°F to 131°F
 Storage Temperature: -30°C to 85°C,
 -22°F to 185°F
 IP Rating: IP66
 Color: White
 Warranty: Limited Lifetime

Comply to UL8750, UL1376, RoHS
 Safety: cULus Listed LED Controller
 E504054
 FCC ID: 2A26YLTKTVT2021
 DID: D057145
 DLC: NLTRC5KLOTN

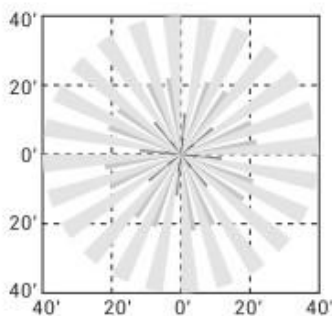
FEATURES

The SMRT HBS-BT External High Bay PIR Sensor is powered by the SMRT Network which utilizes Bluetooth technology for reliable and secure wireless communication. The SMRT-HBS-BT High Bay Sensor has been equipped with **ALGOH** algorithm to maximize the detection range up to 40 ft high without false triggers. It is designed for High Bay applications, and has analog sensor built in. There are replaceable lensing options, and can also be configured for Daylight Harvesting applications.

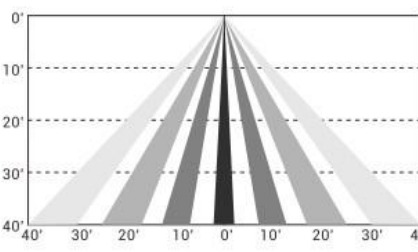
DIMENSIONS / WIRING / DETAILS



Coverage Top View



Coverage Side View



Height 40ft

