

# SMRT BLUETOOTH WIRELESS CONTRACTOR KIT

## SMRT-DIM-KIT-WIRELESS-BT

### SPECIFICATIONS



### FEATURES

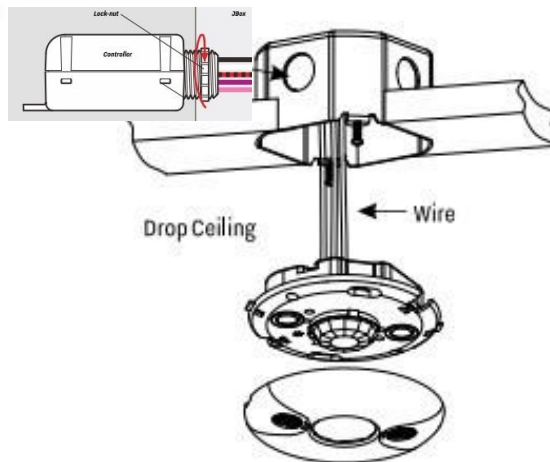
The SMRT-DIM-KIT-WIRELESS-BT Contractor Kit is designed with the Electrical Contractor and Electrical Distributor in mind. It truly is "grab n go". Everything the Contractor needs, in one box. Junction box, wire nuts, 5 year batteries, 10 amp 0-10v Power Pack or zone controller, White Dual Tech (PIR & Ultrasonic) occupancy or vacancy ceiling sensor, White Wireless Wall Switch with faceplate, on/off, raise lower or set up to 3 scenes. Auto function allows sensor to run 100% off of the ceiling sensor. For the Distributor, no more looking through catalogs or your computer to match sensors with power packs and wall switches. We've done it all for you, and its all in one box ready to supply to your Electrical Contractor! Configure and controls via the free blue-tooth app. Don't want to use the app? We offer remote start up or on-site start up as well for a small fee.

### WIRING / MOUNTING / DETAILS

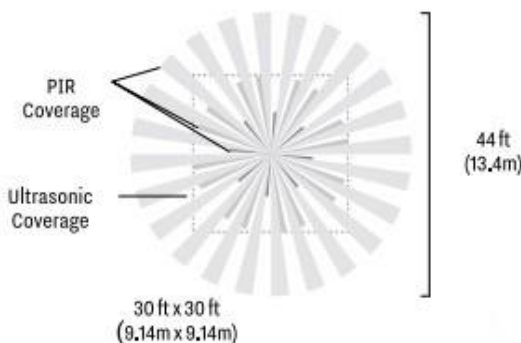
#### Power Pack & Ceiling Sensor

Mount power pack to knock out in the side of the octagonal 4" x 2-1/8" deep junction box, securing mounting nut to power pack. Mount ceiling sensor to bottom of the same junction box, first removing the face plate. Wire black and white wires from both devices to power, 120v or 277v. Wire the red wire from the power pack, to the lighting load. Bring in the purple and pink wires from the light fixture to the purple and pink dimming wires on the power pack. The yellow, brown, blue and pink wires with the quick connect, are for use with a pir/daylight harvesting sensor. If this is not being used, then disregard these low voltage wires. The red wire on the ceiling sensor can be capped off and unused, as the sensor will be pulled in via the bluetooth app. Secure the sensor to the junction box via the 2 screws provided on the J box, twist the keyhole slots, and gently tighten. Replace faceplate. Pair the wireless wall switch by following instructions below.

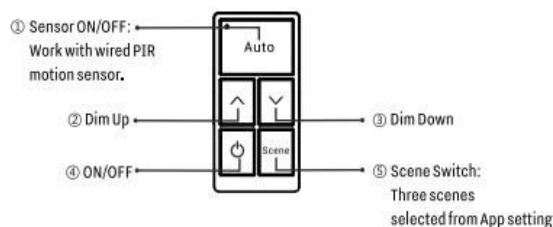
Sensor should be placed for optimum coverage. See coverage patterns below.



#### Sensor Coverage Pattern



#### Wireless Wall Switch



#### Power Pack:

input voltage: AC 120/277V  
Frequency: 60 Hz  
Input Current: 10 Amp  
Output Voltage: AC 120/277V  
Output Current: 10 Amp  
Output Power: 1,200-2,770 W  
Dimming: Class 2,0-10V DC 10mA Max  
Sinking Current: 10 mA Max  
Bluetooth Transmit: 200 ft Max  
Radio Frequency: 2.4 GHz +- 75 MHz  
Bluetooth Version 4.2  
Indoor use only  
Plenum Rated

#### Sensor:

Ceiling mount 120/277V  
Dual Technology  
Pir and Ultrasonic  
Occupancy or Vacancy

#### Wall Switch:

White  
On/Off  
Raise/Lower  
3 Scenes  
Auto Mode

#### Other:

Junction box for Sensor and Power Pack  
Wire Nuts  
Mounting Nut  
5 Year Batteries  
Configure & Control with free App  
UL Listed  
DLC Approved  
Limited Lifetime Warranty

1. Install 2pcs CR2032 battery by opening the back cover.
2. Press button ① and ② together over 2 seconds to enter pairing mode or achieve reset function. This switch can be scanned in next 30 seconds.
3. In SMRT App "Switch" page, click to add the switch.
4. Select the light/light group to be controlled by this switch.
5. Select 3 scenes to be controlled by this switch.