

SMRT BLUETOOTH WIRED 0-10V DIMMING ECONOMY PIR CONTRACTOR KIT

SMRT-DIM-KIT-WIRED-PIR-BT

SPECIFICATIONS



Power Pack

Input voltage: AC 120V/277v
 Frequency: 60 Hz
 Input Current: 10 Amp
 Output Voltage: AC 120V/277V
 Output Current: 10 Amp
 Output Power: 1,200W - 2,700 W
 Dimming: Class 2, 0-10V DC 10mA Max
 Sinking Current: 10mA Max
 Bluetooth Transmit: 200' Max
 Radio Frequency: 2.4GHz +/- 75 MHz
 Bluetooth Version 4.2
 Indoor Use Only

Plenum Rated

Sensor:

Ceiling Mount
 Connects to Power Pack by low voltage cable with quick connect
 Passive Infrared (PIR)
 Occupancy/Vacancy/Daylight Harvesting

Wall Switch:

AC wired 3 Button Wall Switch
 White
 Off / On / Raise / Lower
 120V/277V
 Screw less Faceplate Included

Other:

4" Galvanized Octagon Junction Box with Cover for Power Pack
 4x2 Galvanized Junction Box for AC Wall Switch
 Wire Nuts
 Mounting Nut
 Battery for Wall Switch
 Configure and Control with Free App
 UL Listed
 DLC Approved
 Lifetime Limited Warranty

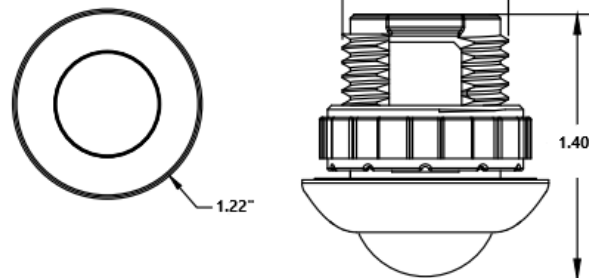
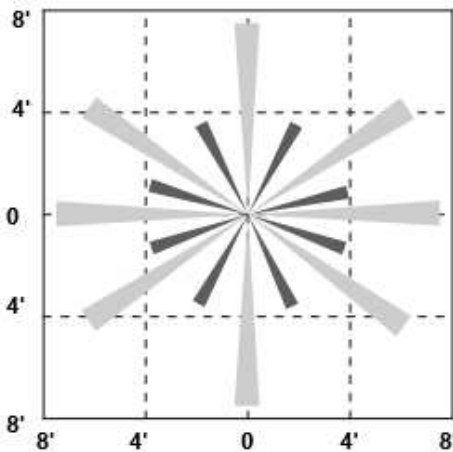
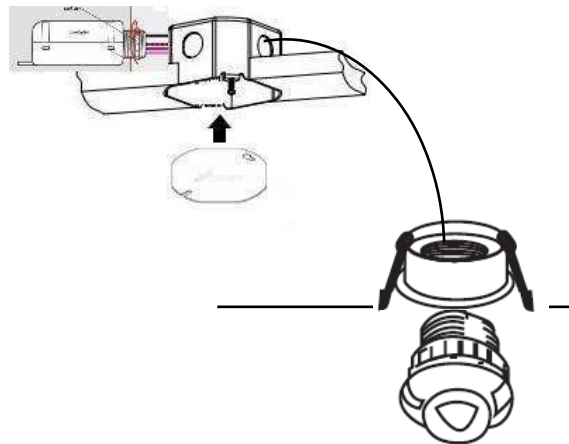
FEATURES

The SMRT-DIM-KIT-WIRED-PIR-BT Bluetooth Wired 0-10V Dimming Economy Contractor Kit, is designed with the Electrical Contractor and the Electrical Distributor in mind. It gives you an economically priced, feature rich product offering. It truly is "grab n go". Everything that the Contractor needs in one box. Galvanized junction box with cover plate for the Power Pack, Galvanized 4x2 junction box for the AC powered Wall Switch, Wire Nuts, 10 amp Bluetooth, 0-10V Dimming Power Pack or Zone Controller with sensor quick connect, White PIR Occupancy/Vacancy/Daylight Harvesting Ceiling Sensor, Sensor Holder, White 3 Button AC wired Wall Switch with ON/OFF and Raise/Lower Functions, with Faceplate. For the Distributor, no more need to browse through catalogs or your computer to match the right sensor with the right power pack, and the right wall switch. We've done it all for you, and it's all in one box, ready to supply your electrical Contractor! Configure and control your lights via the free Bluetooth App. Don't want to use the App? We offer remote or on-site start up for a small fee.

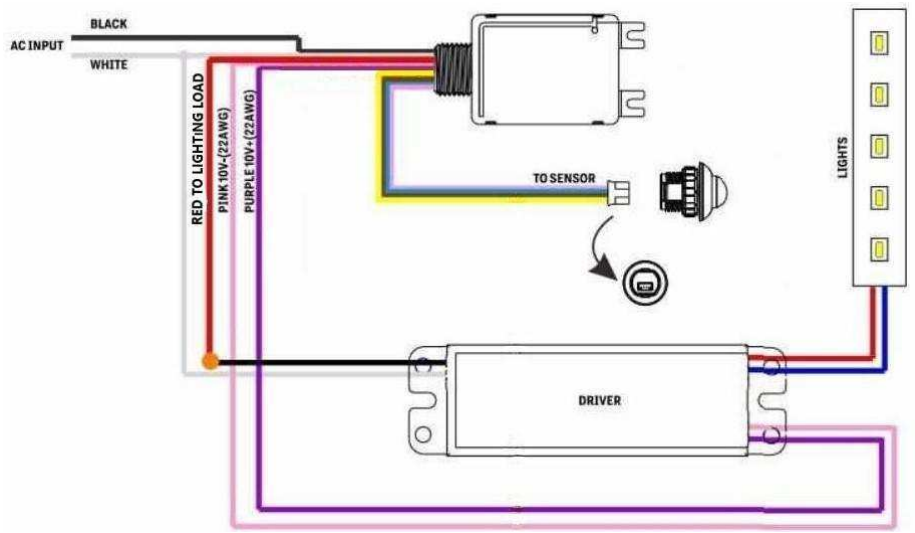
WIRING / MOUNTING / DETAILS

Power Pack / Sensor Installation

Mount Power Pack to the knock out in the side of the provided galvanized octagonal 4" junction box, securing mounting nut to the power pack. Wire black and white wires from both devices to power, 120V or 277V. Wire the red wire from the power pack, to the lighting load. Bring in the violet and pink low voltage wires from the light fixture to the violet and pink low voltage dimming wires on the power pack. The yellow, brown, blue and pink low voltage wires with the quick connect are to snap in to your PIR, motion / daylight harvesting sensor. If the sensor is not being used, disregard these low voltage wires. Secure the junction box plate to the 4" junction box. Pair the AC Wired Wall Switch to the system by following the instructions below.



**WIRING DIAGRAM FOR:
POWER PACK
CEILING SENSOR**



⚠ WARNING: May result in serious injury or death. Turn off power at circuit breaker before installing the unit.

WIRED 3 BUTTON AC 120V/277V 3 BUTTON WALL SWITCH

FEATURES:

- Network technology for Bluetooth enabled IOS or Android smartphone or tablet.
- Linkable with lighting groups.
- Manual On/Off & Dim control of any connected load through traveler wire.
- Compatible with SMRT devices.
- Type of Action: Type 1 Action.
- Pollution Degree: 2.
- Rated Impulse Voltage: 4000V
- Purpose of Control: Operating Control, Electronic Controller Switch or the equivalent.
- Construction of Control: Independently Mounted for Flush Mounting.

SPECIFICATIONS:

- Voltage: 120-277 VAC, 50/60 Hz
- Current: 10mA Max
- Wire Strip Length: 16 mm (5/8")
- Transmit Line Distance: 100 ft
- Operating Temperature: 32F-104F

WIRING:

- 1) Remove wall plate, switch mounting screws
 - 2) Carefully remove the switch from the switch box. DO NOT disconnect the wires.
 - 3) There are three wiring connections on the switch, these are marked HOT, NEUTRAL, GROUND.
 - 4) Disconnect the wires from the existing wall switch.
 - 5) Connect the green wire to the GROUND terminal.
 - 6) Connect the white wire to the terminal marked NEUTRAL.
 - 7) Connect the black wire to the terminal marked HOT.
 - 8) Check connections to be sure they are tight and no bare conductors are exposed.
 - 9) Insert the switch into the outlet box carefully.
 - 10) Make sure to secure the switch to the box using the supplied screws.
 - 11) Attach the wall plate.
 - 12) Restore power to the circuit breaker and test the system.
- Note: This Bluetooth device is compatible with SMRT lighting control system only.

INSTRUCTIONS:

- Follow the instructions to connect the Bluetooth wall switch to the lights.
Press the 1 and 2 buttons together at the same time for 4 seconds to enter pairing mode.
The switch can now be paired for the next 30 seconds.
In the SMRT App "Switch" page, click to add the switch.
Select the light/light group to be controlled by this switch.
For more detailed information, please refer to the SMRT App Instruction guide.

