

3 BUTTON WIRELESS WALL SWITCH

SPECIFICATIONS

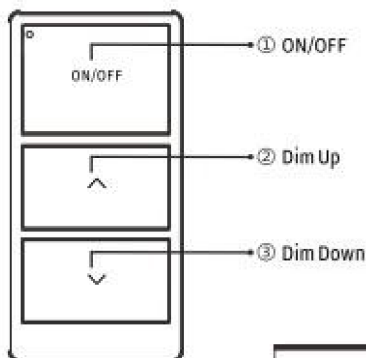
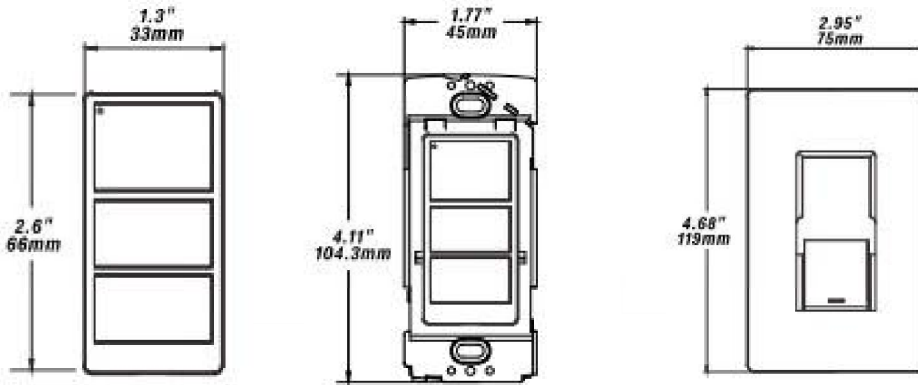
Input Voltage: 3V CR2032
Bluetooth Transmit: 100ft Max
Radio Frequency: 2.4GHz ± 75MHz
Bluetooth Version: 5.0
Housing Material: UL 94-V0
Indoor Use Only
Operating Temperature: -18°C to 50°C, -0.4°F to 122°F
Storage Temperature: 0°C to 30°C, 32°F to 86°F
IP Rating: IP20
Color: White
Warranty: Limited Lifetime
Comply to UL1376, RoHS
FCC ID: 2A26YLTKTVT2022
DID: D061367
DLC: NLTRC5KL0TN



FEATURES

The SMRT-3B-WIRELESS WALL SWITCH is a wireless 3 button wall switch capable of On/Off and raising and lowering the light levels. It is battery powered and houses 1, CR2032 battery with a life of about 5 years, depending on usage. It can be mounted in a wall, (no Junction Box required, check your local codes), or sit on a desktop and be used as a remote. It is configurable in our SMRT Bluetooth app.

DIMENSIONS / WIRING / DETAILS



Wall Switch Configuration:

- 1) Install CR2032 Battery by opening back cover.
- 2) Press button 1 and button 2 together and hold for 2 seconds to enter pairing mode, or to achieve reset function. Now the switch can be scanned in the next 30 seconds.
- 3) In the SMRT App "Switch" page, click to add the switch.
- 4) Select the light/light group to be controlled by this switch.

