

SMRT BLUETOOTH WIRELESS CONTRACTOR KIT

SMRT-DIM-KIT-WIRELESS-BT

SPECIFICATIONS



FEATURES

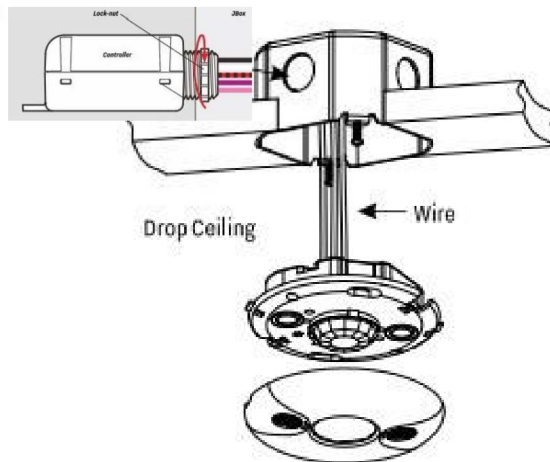
The SMRT-DIM-KIT-WIRELESS-BT Contractor Kit is designed with the Electrical Contractor and Electrical Distributor in mind. It truly is "grab n go". Everything the Contractor needs, in one box. Junction box, wire nuts, 5 year batteries, 10 amp 0-10v Power Pack or zone controller, White Dual Tech (PIR & Ultrasonic) occupancy or vacancy ceiling sensor, White Wireless Wall Switch with faceplate, on/off, raise lower or set up to 3 scenes. Auto function allows sensor to run 100% off of the ceiling sensor. For the Distributor, no more looking through catalogs or your computer to match sensors with power packs and wall switches. We've done it all for you, and its all in one box ready to supply to your Electrical Contractor! Configure and controls via the free blue-tooth app. Don't want to use the app? We offer remote start up or on-site start up as well for a small fee.

WIRING / MOUNTING / DETAILS

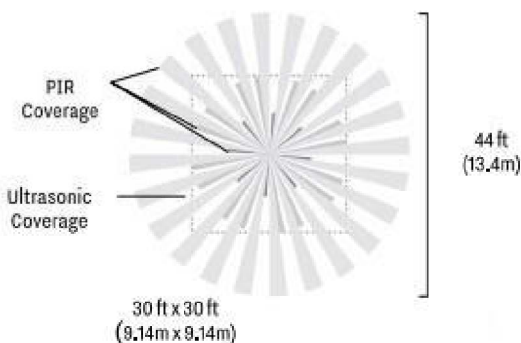
Power Pack & Ceiling Sensor

Mount power pack to knock out in the side of the octagonal 4" x 2-1/8" deep junction box, securing mounting nut to power pack. Mount ceiling sensor to bottom of the same junction box, first removing the face plate. Wire black and white wires from both devices to power, 120v or 277v. Wire the red wire from the power pack, to the lighting load. Bring in the purple and pink wires from the light fixture to the purple and pink dimming wires on the power pack. The yellow, brown, blue and pink wires with the quick connect, are for use with a pir/daylight harvesting sensor. If this is not being used, then disregard these low voltage wires. The red wire on the ceiling sensor can be capped off and unused, as the sensor will be pulled in via the bluetooth app. Secure the sensor to the junction box via the 2 screws provided on the J box, twist the keyhole slots, and gently tighten. Replace faceplate. Pair the wireless wall switch by following instructions below.

Sensor should be placed for optimum coverage. See coverage patterns below.



Sensor Coverage Pattern



Power Pack:

- input voltage: AC 120/277V
- Frequency: 60 Hz
- Input Current: 10 Amp
- Output Voltage: AC 120/277V
- Output Current: 10 Amp
- Output Power: 1,200-2,770 W
- Dimming: Class 2,0-10V DC 10mA Max
- Sinking Current: 10 mA Max
- Bluetooth Transmit: 200 ft Max
- Radio Frequency: 2.4 GHz +- 75 MHz
- Bluetooth Version 4.2
- Indoor use only
- Plenum Rated

Sensor:

- Ceiling mount 120/277V
- Dual Technology
- Pir and Ultrasonic
- Occupancy or Vacancy

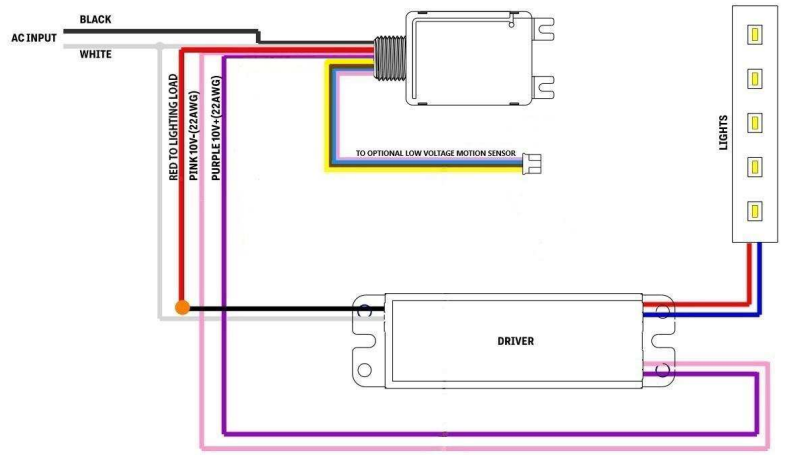
Wall Switch:

- White
- On/Off
- Raise/Lower
- 3 Scenes
- Auto Mode

Other:

- Junction box for Sensor and Power Pack
- Wire Nuts
- Mounting Nut
- 5 Year Batteries
- Configure & Control with free App
- UL Listed
- DLC Approved
- Limited Lifetime Warranty

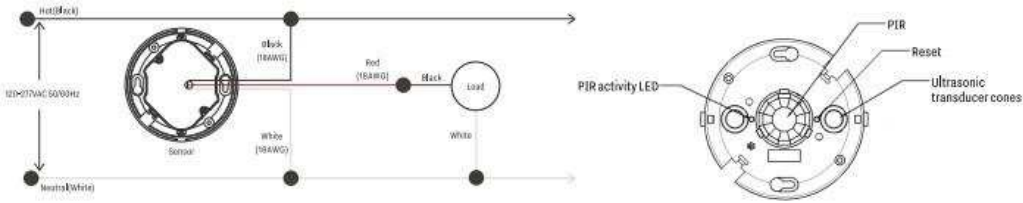
WIRING DIAGRAM FOR: POWER PACK CEILING SENSOR WALL SWITCH



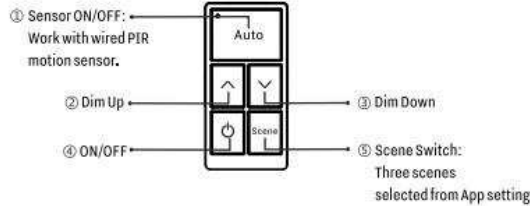
WIRING

Refer to the wire diagram of the sensor and connect the wires of ceiling sensors as followed by using the wire nuts provided.

1. Connect the Hot wire to the Black wire from the sensor.
2. Connect the Load wire to the Red wire from the sensor.
3. Connect the Neutral wire to the White wire from the sensor.



INSTRUCTIONS



- 1) Install 2 pcs of the CR2032 (provided in kit), by opening the back cover.
- 2) Press buttons 1 and 2 together for 2 seconds to enter pairing mode or achieve reset function. This switch can be scanned in over the next 30 seconds.
- 3) In the SMRT App "Switch" page, click to add the switch.
- 4) Select the light/light group to be controlled by this switch.
- 5) Select 3 scenes to be controlled by this switch.

IMPORTANT

Battery model# CR2032. The battery can be used for 5 years based on the usage of twice a day.