

SMRT BLUETOOTH WIRED CONTRACTOR KIT

SMRT-DIM-KIT-WIRED-BT

SPECIFICATIONS



FEATURES

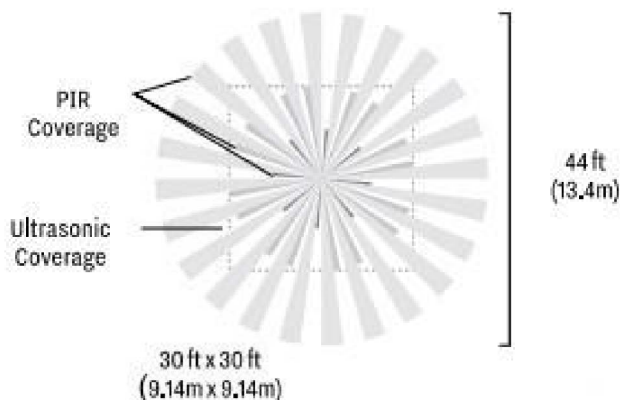
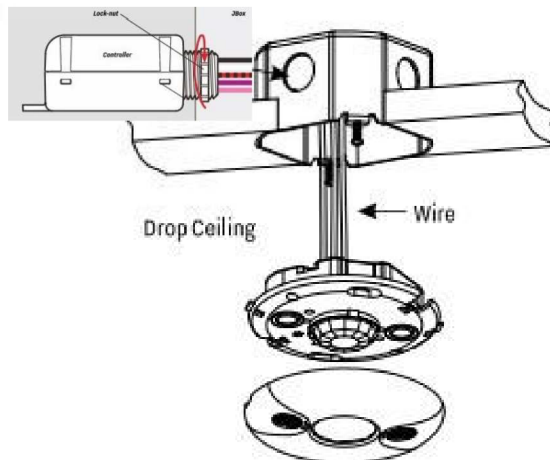
The SMRT-DIM-KIT-WIRED-BT Contractor Kit is designed with the Electrical Contractor and Electrical Distributor in mind. It truly is "grab n go". Everything the Contractor needs, in one box. Junction boxes, wire nuts, Mounting nut, 10 amp 0-10v Power Pack or zone controller, White Dual Tech (PIR & Ultrasonic) occupancy or vacancy ceiling sensor, White AC 120V/277V Wall Switch with faceplate, on/off, raise lower or set up to 4 scenes. For the Distributor, no more looking through catalogs or your computer to match sensors with power packs and wall switches. We've done it all for you, and its all in one box ready to supply to your Electrical Contractor! Configure and control via the free blue-tooth app. Don't want to use the app? We offer remote start up or on-site start up as well, for a small fee.

WIRING / MOUNTING / DETAILS

Power Pack & Ceiling Sensor

Mount power pack to knock out in the side of the octagonal 4" x 2-1/8" deep junction box, securing mounting nut to power pack. Mount ceiling sensor to bottom of the same junction box, first removing the face plate. Wire black and white wires from both devices to power, 120v or 277v. Wire the red wire from the power pack, to the lighting load. Bring in the purple and pink wires from the light fixture to the purple and pink dimming wires on the power pack. The yellow, brown, blue and pink wires with the quick connect, are for use with a pir/daylight harvesting sensor. If this is not being used, then disregard these low voltage wires. The red wire on the ceiling sensor can be capped off and unused, as the sensor will be pulled in via the bluetooth app. Secure the sensor to the junction box via the 2 screws provided on the J box, twist the keyhole slots, and gently tighten. Replace faceplate. Mount Wall Switch in provided Junction Box, and wire to 120V or 277V. Make any configuration changes in app.

Sensor should be placed for optimum coverage. See coverage patterns below.



Power Pack:

input voltage: AC 120/277V
Frequency: 60 Hz
Input Current: 10 Amp
Output Voltage: AC 120/277V
Output Current: 10 Amp
Output Power: 1,200-2,770 W
Dimming: Class 2,0-10V DC 10mA Max
Sinking Current: 10 mA Max
Bluetooth Transmit: 200 ft Max
Radio Frequency: 2.4 GHz +- 75 MHz
Bluetooth Version 4.2
Indoor use only
Plenum Rated

Sensor:

Ceiling mount 120/277V
Dual Technology
Pir and Ultrasonic
Occupancy or Vacancy

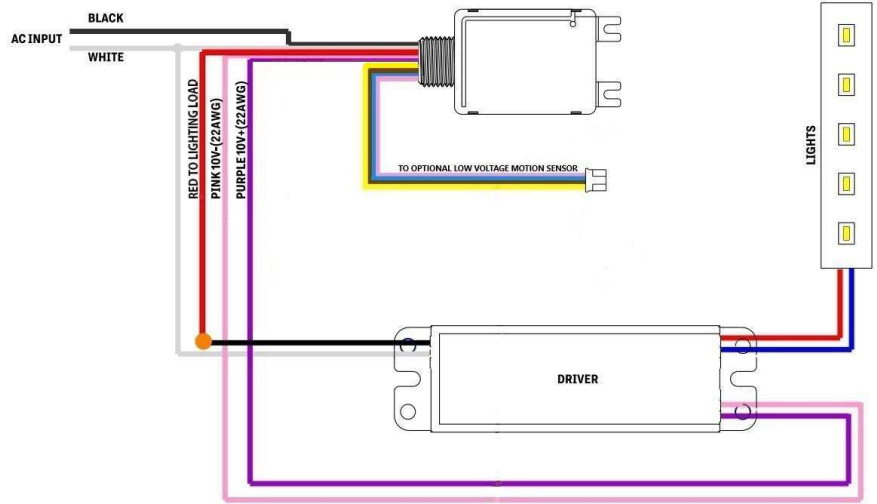
Wall Switch:

White
On/Off
Raise/Lower
4 Scenes
120V/277V

Other:

Junction box for Sensor and Power Pack
Junction box for Wall Switch
Wire Nuts
Mounting Nut
Configure & Control with free App
UL Listed
DLC Approved
Limited Lifetime Warranty

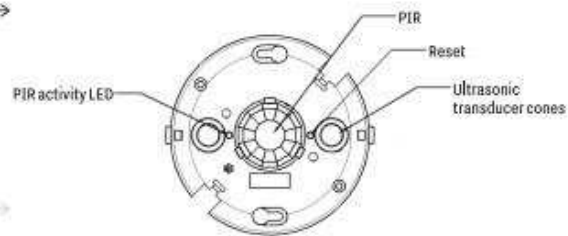
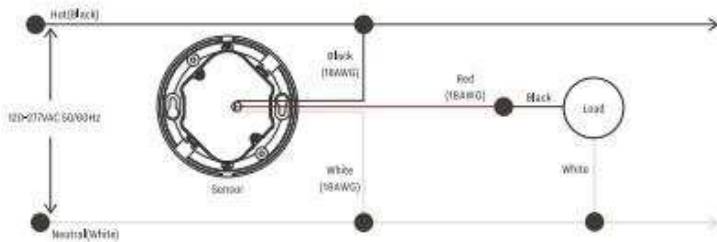
WIRING DIAGRAM FOR: POWER PACK CEILING SENSOR WALL SWITCH



WIRING

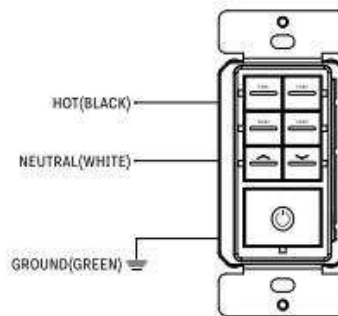
Refer to the wire diagram of the sensor and connect the wires of ceiling sensors as followed by using the wire nuts provided.

1. Connect the Hot wire to the Black wire from the sensor.
2. Connect the Load wire to the Red wire from the sensor.
3. Connect the Neutral wire to the White wire from the sensor.



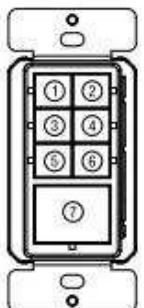
WIRING

1. Remove wall plate, switch mounting screws.
2. Carefully remove the switch from the switch box. DO NOT disconnect the wires.
3. There are three wiring connections on the switch, these are marked HOT, NEUTRAL, GROUND.
4. Disconnect the wires from the existing switch.
5. Connect the green wire to the GROUND terminal.
6. Connect the white wire to the terminal marked NEUTRAL.
7. Connect the black wire to the terminal marked HOT.
8. Check connections to be sure they are tight and no bare conductors are exposed.
9. Insert the switch into the outlet box carefully.
10. Make sure the switch to the box using the supplied screws.
11. Attach the wall plate.
12. Restore power to the circuit breaker and test the system.



- Wire Strip Length; 16 mm (5/8 in.)
- The device shall install in a standard outlet box.

COMMISSIONING



- ① SCN 1
- ② SCN 2
- ③ SCN 3
- ④ SCN 4
- ⑤ DIM+
- ⑥ DIM-
- ⑦ ON/OFF

- 1) Follow the instructions to connect the Bluetooth Wall Switch to the lights.
- 2) Press buttons 5 and 6 for 3 seconds to enter pairing mode and to achieve reset function.
- 3) Now the switch can be scanned in the next 30 seconds.
- 4) In the SMRT App "switch" page, click to add the switch.
- 5) Select the light/light group to be controlled by this switch.
- 6) For more detailed information, refer to the SMRT App instruction guide.