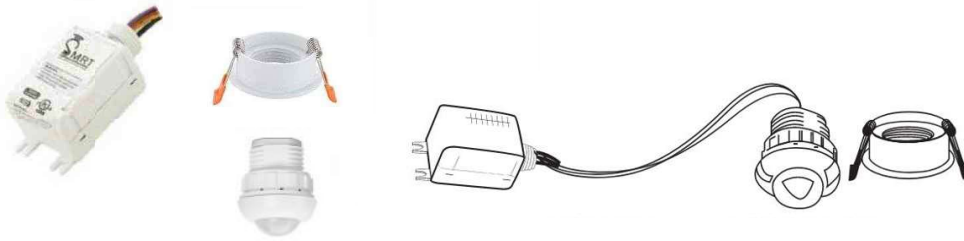


## BLUETOOTH LOW VOLTAGE PIR CEILING MOTION SENSOR WITH DAYLIGHT HARVESTING

**SMRT-PIR-LV-OCC-VAC-DAY-BT**

### SPECIFICATIONS



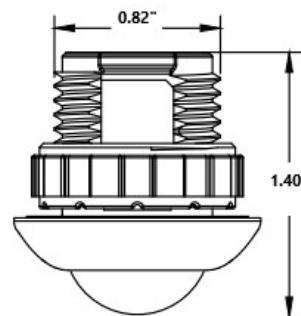
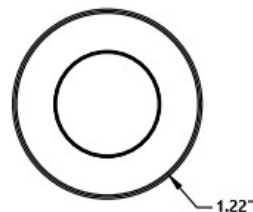
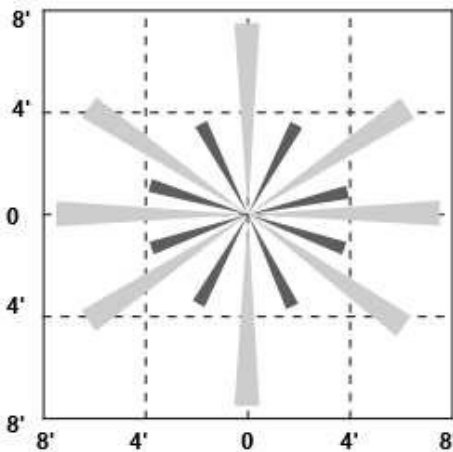
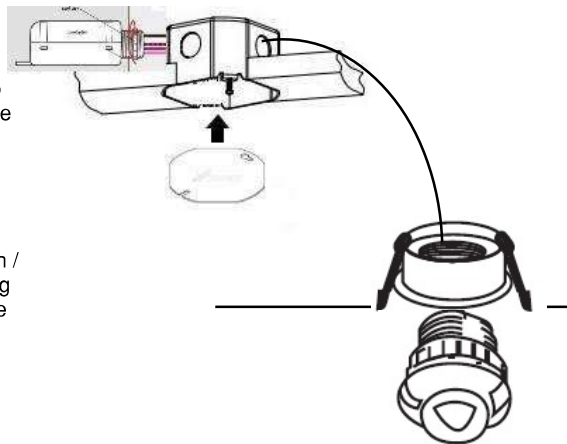
### FEATURES

The SMRT-PIR-LV-OCC-VAC-DAY-BT is a low voltage ceiling mount motion / daylight harvesting sensor. The sensor comes with a powerful Blue-Tooth 10 AMP, 0-10V dimming power pack, with a 3' low voltage cable with quick connect, to connect to the sensor. The motion sensor is Passive Infrared, (PIR) and will accommodate settings for Occupancy or Vacancy and Daylight Harvesting. The sensor can be used for just motion, or for motion with daylight harvesting, or for daylight harvesting only. All set up and configuration is done with our free SMRT App, available in iOS, or Android. In addition to configuration with the App, remote or on-site start up is available as well.

### WIRING / MOUNTING / DETAILS

#### Power Pack / Sensor Installation

Make certain that power is turned off, and mount Power Pack to the knock out in a galvanized octagonal 4" junction box, securing mounting nut to the power pack. Wire black and white wires from the power pack to power, 120V or 277V. Wire the red wire from the power pack to the lighting load. Bring in the violet and pink low voltage dimming wires to the 0-10V dimming wires on the power pack. The yellow, brown, blue and pink low voltage wires with the quick connect, and to snap into your PIR motion / daylight harvesting sensor. If the sensor is not being used, disregard these low voltage wires. Secure the junction box with a 4" junction box cover plate.



#### **Power Pack**

Input voltage; AC 120V/277v

Frequency: 60 Hz

Input Current: 10 Amp

Output Voltage: AC 120V/277V

Output Current: 10 Amp

Output Power: 1,200W - 2,700 W

Dimming: Class 2, 0-10V DC 10mA Max

Sinking Current: 10mA Max

Bluetooth Transmit: 200' Max

Radio Frequency: 2.4GHz +/- 75 MHz

Bluetooth Version 4.2

Indoor Use Only

Plenum Rated

#### **Sensor:**

Ceiling Mount with sensor holder

Connects to Power Pack by low voltage cable with quick connect

Passive Infrared (PIR)

Occupancy/Vacancy/Daylight Harvesting

#### **Other:**

Wire Nuts

Mounting Nut

Configure and Control with Free App

UL Listed

DLC Approved

Lifetime Limited Warranty

**WIRING DIAGRAM FOR:  
POWER PACK  
CEILING SENSOR**

