

SMRT-BLUETOOTH DAYLIGHT HARVESTING KIT

SMRT-DAYLIGHT-HARVESTING-KIT

SPECIFICATIONS



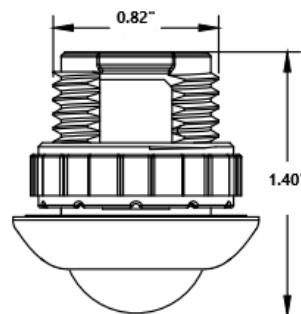
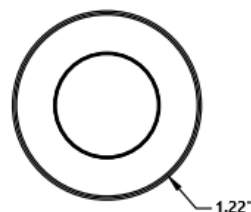
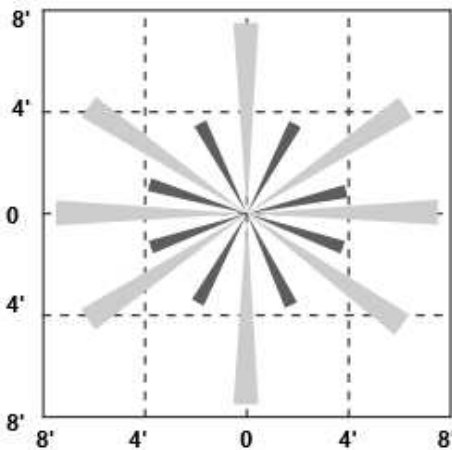
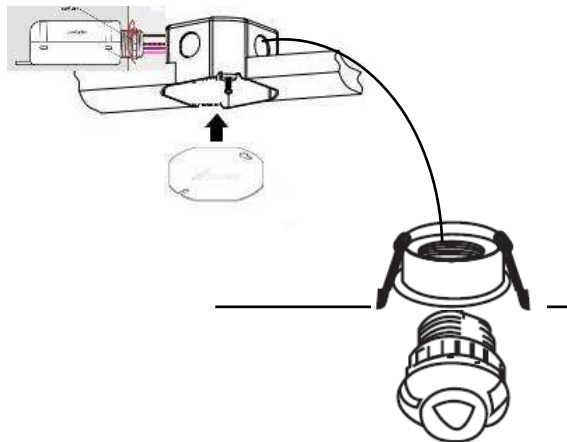
FEATURES

The SMRT-DAYLIGHT-HARVESTING-KIT provides the Electrical Contractor everything they need to comply with stringent building codes for Daylight Harvesting applications. The kit comes with a powerful Blue-tooth 10 AMP, 0-10V dimming power pack, with a 3' low voltage cable with quick connect, to connect to the sensor. The motion sensor is Passive Infrared, (PIR) and will accommodate settings for Occupancy, Vacancy, and Daylight Harvesting. All set up and configuration is done with our free SMRT app, available in iOS or Android. The kits also comes with ceiling mounted sensor holder, galvanized octagonal junction box with cover for the power pack, and wire nuts. In addition to configuration with the App, remote or on-site start up is available as well.

WIRING / MOUNTING / DETAILS

Power Pack / Sensor Installation

Mount Power Pack to the knock out in the side of the provided galvanized octagonal 4" junction box, securing mounting nut to the power pack. Wire black and white wires from both devices to power, 120V or 277V. Wire the red wire from the power pack, to the lighting load. Bring in the violet and pink low voltage wires from the light fixture to the violet and pink low voltage dimming wires on the power pack. The yellow, brown, blue and pink low voltage wires with the quick connect are to snap in to your PIR, motion / daylight harvesting sensor. If the sensor is not being used, disregard these low voltage wires. Secure the junction box plate to the 4" junction box.



Power Pack

Input voltage: AC 120V/277v

Frequency: 60 Hz

Input Current: 10 Amp

Output Voltage: AC 120V/277V

Output Current: 10 Amp

Output Power: 1,200W - 2,700 W

Dimming: Class 2, 0-10V DC 10mA Max

Sinking Current: 10mA Max

Bluetooth Transmit: 200' Max

Radio Frequency: 2.4GHz +/- 75 MHz

Bluetooth Version 4.2

Indoor Use Only

Plenum Rated

Sensor:

Ceiling Mount

Connects to Power Pack by low voltage cable with quick connect

Passive Infrared (PIR)

Occupancy/Vacancy/Daylight Harvesting

Other:

4" Galvanized Octagon Junction Box with Cover for Power Pack

Wire Nuts

Mounting Nut

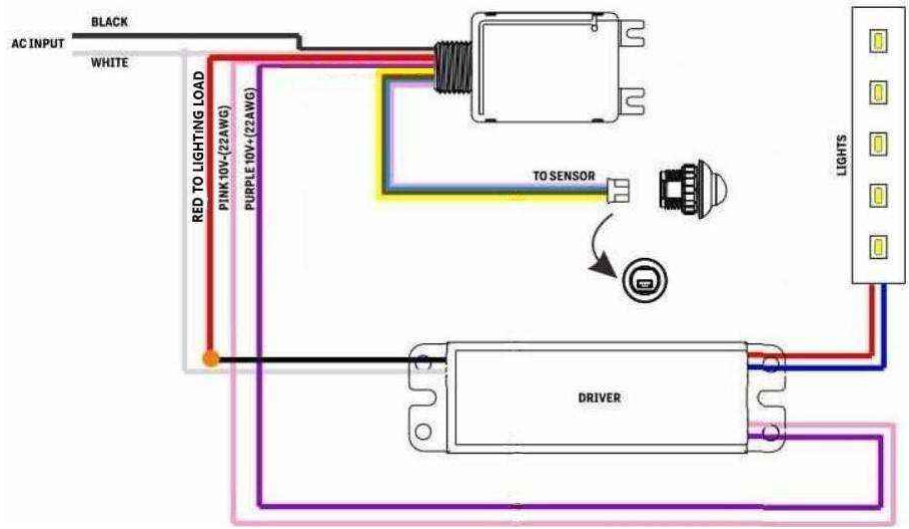
Configure and Control with Free App

UL Listed

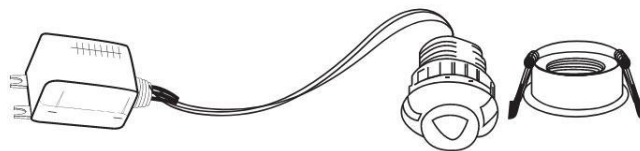
DLC Approved

Lifetime Limited Warranty

**WIRING DIAGRAM FOR:
POWER PACK
CEILING SENSOR**

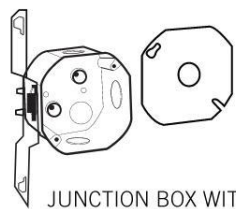


**DAYLIGHT HARVESTING KIT
EVERYTHING YOU NEED IN ONE BOX!**



10 AMP 0-10V
DIMMING POWER
PACK 120/277V

PIR MOTION AND
DAYLIGHT HARVESTING
SENSOR WITH HOLDER



JUNCTION BOX WITH
COVER FOR POWER
PACK



WIRE
NUTS