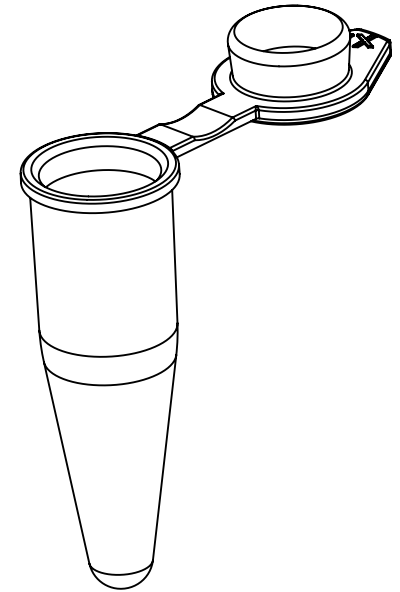



**SECTION A-A
SCALE 4 : 1**



| | | | |
|---|--|-----------|---|
| UNLESS OTHERWISE SPECIFIED DIMENSIONS ARE IN MILLIMETERS | CAD GENERATED DRAWING, DO NOT MANUALLY UPDATE | |  1310 Thurman Street Lodi CA, 95240 Ph: (209) 333-2120 F: (209) 333-8623 info@scientificspecialties.com |
| | APPROVALS | DATE | |
| SSI MATERIAL: | DRAWN: P. DO | 7/26/2016 | 3225-XX 0.2mL PCR TUBE WITH POLISHED FLAT CAP |
| MANUFACTURER'S MATERIAL: | CHECKED: | | |
| FINISH: | DESIGN ENG: | | |
| DO NOT SCALE DRAWING | MFG ENG: | | |
| | QUAL ENG: | | SIZE: A SHRINK RATE: SCALE: 1:1 JOB NO.: SHEET: 1 OF 1 |
| | | | REV.: 6 |

PRINTED 7/26/2016