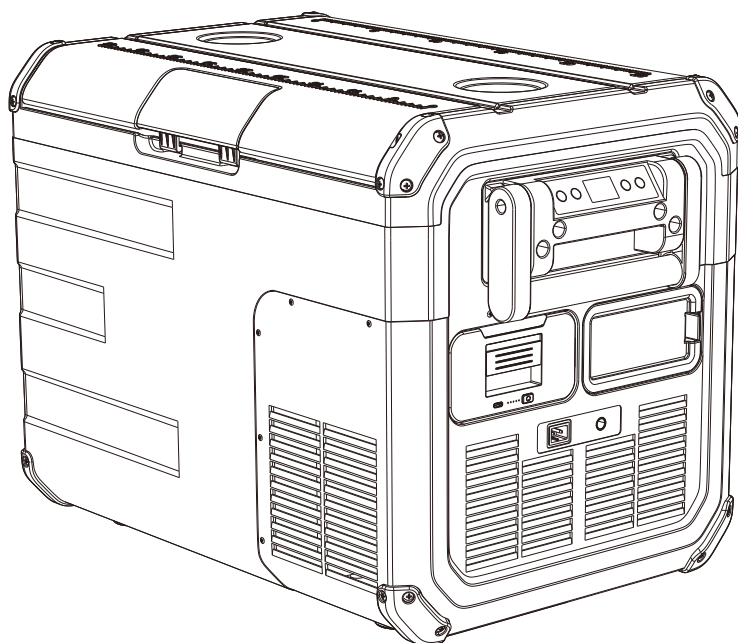


**EXPLORER
BEAR**

UR35-W / UR45-W



USER MANUAL




CONTENTS

SAFETY PRECAUTIONS	01~02
PARTS NAME AND STANDARD ACCESSORIES	03
CHANGING THE DOOR OPENING AND CLOSING DIRECTION	04
POWER SUPPLIES	05~07
BASIC FUNCTIONS AND USAGE	08~09
PRECAUTIONS FOR PLACING FOOD IN THE REFRIGERATOR	09
MAINTENANCE METHODS	10
TROUBLESHOOTING	11~12
SPECIFICATIONS	12
WARRANTY AND CONSULTATION	13

SAFETY PRECAUTIONS

- Be sure to read the "Safety Precautions" to prevent accidents such as fire, electric shock, and injury.
- Before using the product, please read all of these "Safety Precautions" carefully to ensure proper use.
- After reading, be sure to keep it in a place where you can consult it at any time.
- If you lend the product to someone else, please give the instruction manual together with the product.
- The following symbols are used to classify and explain the types of information that must be observed.

■ Symbol description

Symbol	Meaning
 Warning	Indicates a potentially hazardous situation, if not avoided, which could result in death or serious injury to the user.
 Caution	Indicates a potentially hazardous situation which, if not avoided, may result in injury to the user.
 Note	Important precautions regarding the handling of the product and its accessories, etc.

Warning!

- After opening the package, keep the refrigerator in an upright position for at least 6 hours before powering it on.
- In the event of a malfunction or failure, stop using the refrigerator immediately, turn off the power, and disconnect the power plug from the outlet. Failure to do so may cause smoke, fire, or electric shock.
- Do not block the ventilation openings. Do not insert sticks, wires, or other foreign objects into the ventilation openings.
- Do not pour water on the product. Do not expose the product to rain or use it in a damp or wet place.
- Do not use flammable sprays near this product.
- Do not leave this product in a hot place, such as inside a car under the blazing sun.
- Do not store medical supplies or scientific samples in the refrigerator. This is not a precision instrument capable of storing medical supplies.
- Do not store volatile and inflammable materials in the refrigerator.
- Do not handle the AC adapter cord roughly. Do not use a damaged cord.

- Use only the batteries specified for this product. Use of a battery other than the specified one may cause the battery to explode, resulting in injury or damage.
- Do not place other appliances in the refrigerator except as recommended by the manufacturer.
- Please use it in a horizontal and stable place. Please do not tilt more than 5° backward and forward when running for a long time. Do not tilt more than 45° if running for a short time. Tilting more than 45° will cause malfunction.
- Please ensure good ventilation in the surrounding area during operation and pay attention to the heat dissipation of the compressor without interference. No obstacle should exist within 20cm of the compressor.
- Do not place the product on its side or upside down.

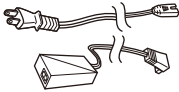
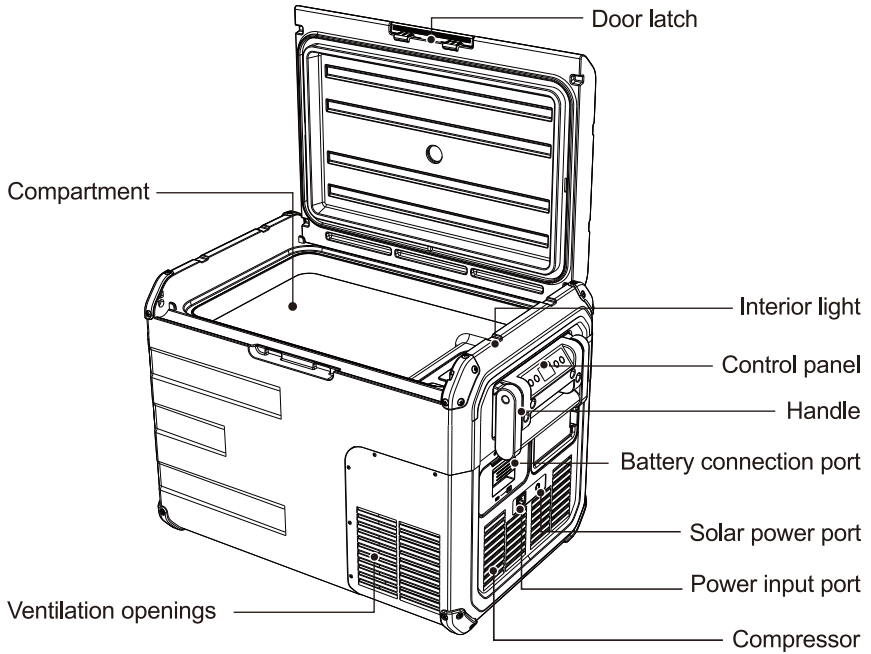
! Caution!

- Do not disassemble or repair this product unless you are a service technician. Doing so may result in fire, electric shock, or injury.
- Installation of direct current (DC) power supplies on a boat should be performed by qualified personnel.
- If you notice anything unusual when using or storing the battery, such as heat, leakage, or deformation, stop using it immediately and move away from it.
- Do not leave the door open. The performance will not be fully exerted.
- Do not allow small children or pets to play with this product. Store it out of the reach of children.
- When disposing of the old product, keep it in a safe place so that children will not be trapped.

! Note!

- The AC adapter is the preferred method of charging the refrigerator.
- Batteries for this product are sold separately and are not included.
- Always turn off the refrigerator after use before cleaning or maintenance.
- Do not use other methods or apparatus to speed up defrosting unless recommended by the manufacturer.
- Do not put food directly into the refrigerator. Food should be wrapped or placed in a plastic bag because they are not treated with an antibacterial treatment.
- If the appliance is not used for a long period of time, wipe the interior with alcohol disinfectant spray and store it dry.
- If the battery is stored for a long time, it will discharge naturally due to its characteristics. Please check the remaining battery level before use.
- If the battery is left on for a long time, the cycle of discharging and charging will be repeated. If the battery is not a power source, take it out as soon as possible after it is fully charged, because this will accelerate the aging of the battery.

PARTS NAME AND STANDARD ACCESSORIES



AC Adapter



DC Power Cord



Manual (Warranty)

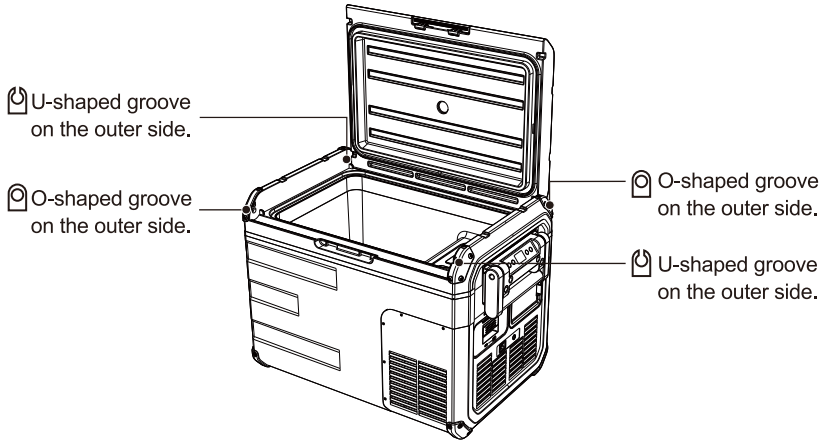
Note:

Battery for car refrigerator is not included. It needs be purchased separately.

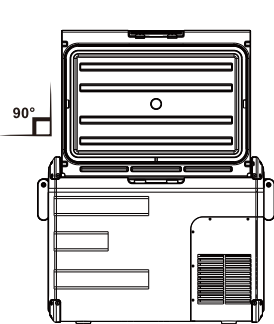
CHANGING THE DOOR OPENING AND CLOSING DIRECTION

The opening and closing direction of the door can be changed depending on the environment in which it is installed. To change the open/close direction, follow the steps below.

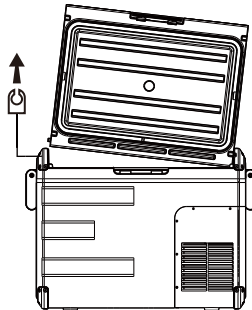
※Do not pull the door up at an angle or apply excessive force. Doing so may cause damage.



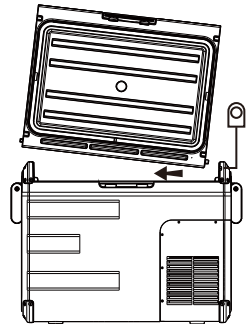
1. How to remove the door:



① Turn the door 90 degrees.

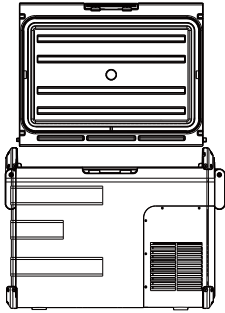


② Pull up the outer shaft of the door from the U-shaped groove and remove it.

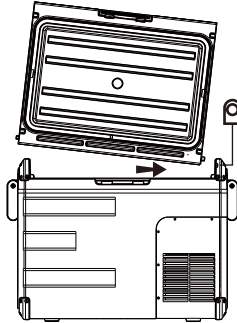


③ Pull out the shaft on the back side of the door from the O-shaped hole and remove it.

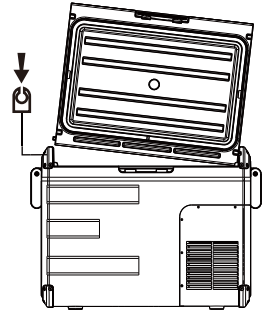
2.How to install the door:



① Stand the door at 90 degrees.

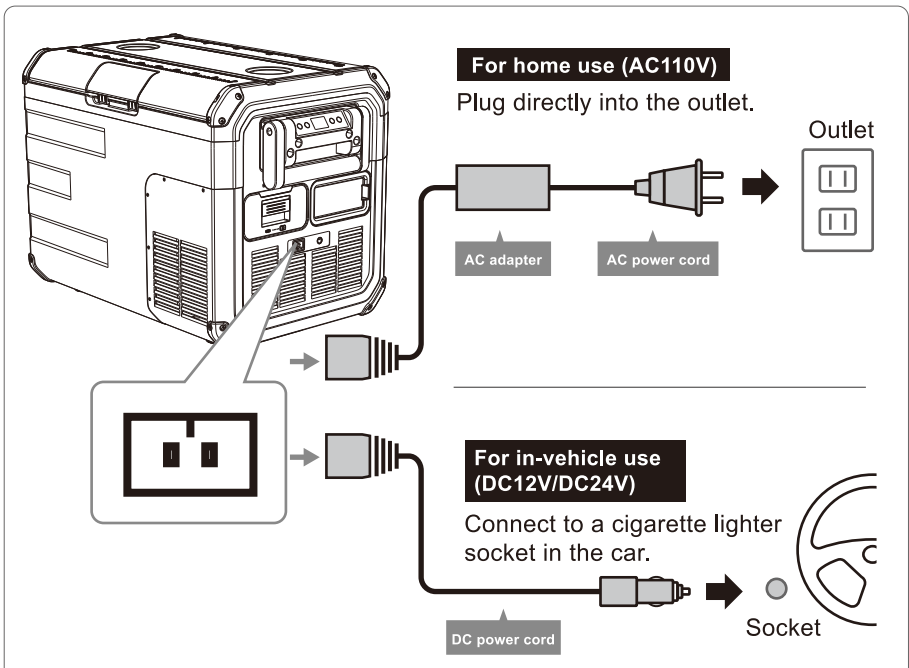


② Insert the shaft on the back side of the door, aligning it with the O-shaped hole.

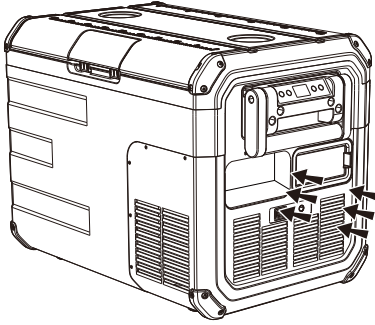


③ Press the outer shaft of the door in line with the U-shaped groove.

POWER SUPPLIES

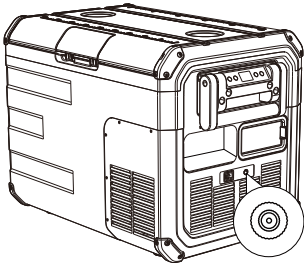
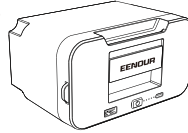


•When using a DC cord to supply power, different vehicles may give different output voltages. If the voltage protection shows E1, this can be remedied by adjusting the battery protection level from 'H' to 'M' or 'L'.



Battery powered (10.95 V)

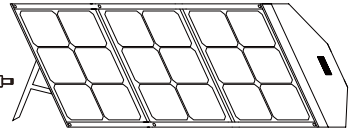
Install the battery and press the power switch to start charging.



**Solar charging
(maximum input voltage: 30V)**

After assembling the battery, connect it to the solar panel.

DC cable



Size: DC5521.

(outer diameter 5.5mm, inner diameter 2.1mm)

*Be sure to attach the dedicated battery to the refrigerator before charging with the solar panel.

*Solar panel and dedicated battery are not included.

1. Dedicated battery

The UR35-W and UR45-W can be powered by two batteries.

(Rated voltage: DC9.6/12.6V)

When the battery is turned on, the battery icon on the LED display lights up.

2.Assuming that two batteries are installed in the refrigerator.

Charging the battery with the adapter that powers the refrigerator:

- ①Connect the adapter to the refrigerator first, then install the battery into the refrigerator, the battery installed first is charged first.
- ②Install the battery into the refrigerator first, then connect the refrigerator to the adapter, the battery on the left will be charged first.

Power the refrigerator with batteries:

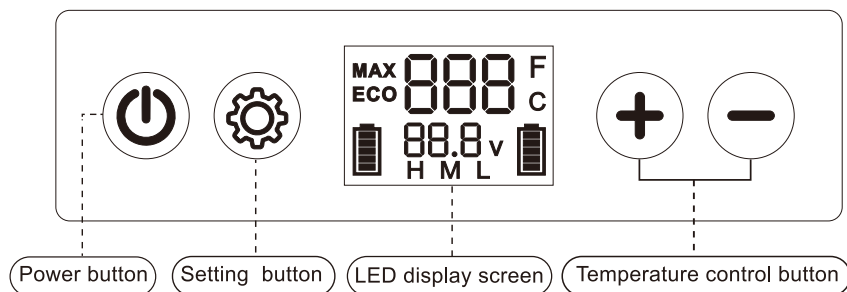
①When the two batteries are the only power supply, the battery installed first will power the refrigerator first.

②When the refrigerator is powered by the AC adapter and the batteries are installed, if the adapter is removed, the power will switch to the battery which has less power remaining.

※*There are two battery icons. When only one is powered on, only one icon lights up. If the operating current of the fridge exceeds 4 A, the battery will stop supplying power to the fridge only.

If the solar panel voltage exceeds 30 V, charging to the battery stops.

BASIC FUNCTIONS AND USAGE



1. Turn on the power

Press the power button on the control panel to turn on the display screen. Press the power button once more to turn off the power.

*When the power is turned on, the current internal temperature is displayed.

2. Temperature setting

Press the setting button on the control panel and hold down the "+/-" button to adjust the temperature.

Short press of the "+/-" button allows the temperature to be set in 1°F increments. If you press and hold the +/- button, the temperature changes continuously, allowing you to set the temperature faster. (The temperature changes about 4°F per second.)

※During adjustment, the screen will blink. As soon as the blinking ends, the temperature setting is complete. It will not blink for a long press.

3. Operation mode

There are two operation modes, MAX (fast cooling mode) and ECO (energy saving mode). When the power is on, press the setting button twice and the operation mode will be displayed as flashing. Press the "+/-" button to select "MAX" or "ECO" according to your preference.

4. Battery protection level

The battery protection level can be adjusted in three levels H/M/L (high/medium/low). When the power is on, press the setting button 3 times, the protection level display will change to flashing. Press the "+/-" button to select H/M/L according to your preference. After adjusting to the desired level, leave it for 3 - 5 seconds and the level switching is completed. (The factory setting is H.)

Input Voltage Reference Table				
Input voltage\ level	DC 12V		DC 24V	
	Compressor stops	Compressor runs	Compressor stops	Compressor runs
L	9.6V	10.9V	21.3V	22.7V
M	10.1V	11.4V	22.3V	23.7V
H	11.1V	12.4V	24.3V	25.7V

*Voltage values are for reference only. Please note that there is a possibility of error.

When used in a car, it is recommended to set the protection level to "H". Otherwise, the battery power consumption will be high and the car engine may stop or fail to start.

5. Switching the display temperature unit

The temperature unit on the display screen can be switched between Celsius & Fahrenheit.

- ① Turn off the power and press and hold the setting button for 3 seconds.
- ② "F1" will appear on the screen. Press the setting button will switch the displayed symbols "F1-F3, CF" (from F1 to CF) .
- ③ Press until "CF" appears. Then press the "+/-" button to adjust to °C or °F. When adjustment is completed, leave the device in a stationary state for 5 seconds, and when the blinking ends, the switching is complete.

*F1 to F3 are to be repaired by an engineer, so customers should not set them without permission!

6. Memory function

This product can memorize the last temperature setting.

After pressing the power button, if no other button is pressed for 5 seconds, operation will start at the previously set temperature.

PRECAUTIONS FOR PLACING FOOD IN THE REFRIGERATOR

- Please do not put the food directly into the refrigerator. Since there is no antibacterial treatment, please use plastic wrap or put the food in a plastic bag. Please put ice cream and other easy to melt things in the refrigerator after it cools.
- Please note that there is melting depending on the type of ice cream.
- Do not store items with strict temperature control such as pharmaceuticals and academic samples.
- Do not store opened food for a long time. There is a possibility of spoilage and deterioration.
- Do not freeze easily broken items such as bottles. There is the possibility of cracking and injury.

- Do not put too much food at once at environmental temperature. If so, the temperature in the refrigerator will rise.
- Please wrap things with a lot of moisture and heavy fragrance before putting them in.

MAINTENANCE METHODS



Warning!

- Before cleaning, be sure to turn off the power and disconnect the battery, AC adapter, and cigarette socket cord from the product.
- Failure to do so may result in injury or equipment damage.

1. Maintenance

Open the drain plug in the product and drain the water .
Wipe clean with a dry cloth or a cloth soaked with neutral detergent.
Please never rinse with water.
Please do not wipe with thinner or detergent.

2. Defrosting

To defrost, empty the compartment, turn off the power, and wait until the frost to melt.
Wipe off the melted water with a soft cloth.
※Note: Do not use sharp or pointed tools for defrosting.

3. When not in use for an extended period of time

Empty the compartment and turn off the power.
Wipe off any water inside the compartment with a soft cloth.
Leave the door open for several hours.
Keep out of reach of children.

TROUBLESHOOTING

Inspect the following items before requesting repair.

Problem	Cause/Solution
Refrigerator does not operate	Check the power supply.
	Check the power supply at the operation panel.
	Remove any debris from the cigarette lighter socket.
	Check the car fuse.
	Frequent switching of the power button delays compressor startup.
Refrigerator does not cool down	Do not open and close the door frequently.
	Have not put in hot food.
Refrigerator water noise	It is most likely the sound of refrigerant flowing.
Water droplets on door or body	This is a natural phenomenon. Try to open the space around the refrigerator to create an environment that facilitates heat dissipation.
Refrigerator is noisy	This is a natural phenomenon. Vibration when the compressor is running.
Error Code E1	<p>Cause: Low input voltage activates low voltage protection. Check the input voltage reference table for input voltage range.</p> <p>Solution: Set the battery protection level to M/L (medium/low). If powered by a dedicated battery, first fully charge the dedicated battery; if E1 is displayed, set the battery protection level to L (low).</p>
Error Code E2	<p>Cause: The overload protection is activated because the fan is overloaded beyond the allowable current of the product.</p> <p>Solution: Turn off the power, check the connection wiring, etc., and if there are no problems, restart the machine after 5 minutes.</p>

Error Code E3	Cause: The compressor is frequently turned on and off, which activates the protection device. Solution: Turn off the power and restart it after 10 minutes.
Error code E4	Cause: The compressor is running at a reduced speed or overloaded, which activates the protective device. Solution: Reset the compressor, turn it off, and restart it after 1 hour.
Error code E5	Cause: Insufficient heat dissipation activates the overheat protection. Solution: Check if the vent is blocked and place the device in a well-ventilated area (at least 15 cm distance between the vent and the wall). Then turn off the power and restart it after 1 hour.
Error code F6	Cause: The temperature sensor may be loose. Solution: Remove the door and check if the temperature sensor is loose.If there is no problem, please contact the seller.

※If error code E1 is displayed when power is supplied from the battery, remove the battery as soon as possible. Alternatively, charge the refrigerator and battery with an AC adapter or DC power cord.

SPECIFICATIONS

Model	UR35-W	UR45-W
Rated Voltage	AC 100-240V (dedicated AC adapter recommended), DC 12V/24V, solar panel (18V-30V)	
Rated Output	38 W	40W
Capacity	37QT/35L	48QT/45L
Noise	≤42dB	
Set temperature	-4~50°F(-20~10°C)	
Dimensions (L*W*H)	Approx. 24.61*15.55*17.32in	Approx. 24.61*15.55*20.28in
Main unit weight	Approx. 24.3lb/11kg	Approx. 26.5lb/12kg

※Specifications and appearance are subject to change without notice to improve product safety and quality.

※The figures shown are approximate. They may vary depending on the environment and conditions of use.

WARRANTY AND CONSULTATION

The warranty period for this product is one year from the date of purchase. Specifications of this product are subject to change without notice. Please understand this beforehand.

If you suspect that this product is malfunctioning due to the discontinuation of the electronic components used, please inform us of the following

- ① Date of purchase
- ② Order number and product model number
- ③ The circumstances of the malfunction (please explain in as much detail as possible) If you have any questions or need further assistance, please contact the dealer where you purchased the product or the sales contact listed below.



Customer Support

Hotline:1-833-275-3482

Email:Support@explorerbear.com