

Explorer Bear

EX40B/EX50B

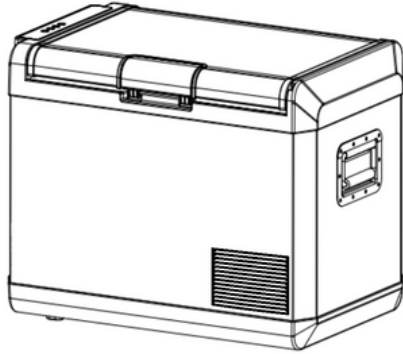


support@explorerbear.com / 1-833-275-3482

Catalogue

1	What's in the Box	-----	1
2	Fridge Operations	-----	2
3	Cleaning And Maintenance	-----	7
4	Error Codes & Solutions	-----	9
5	Troubleshooting (Q & A)	-----	11
6	Safety Instructions	-----	15
7	Warning	-----	17

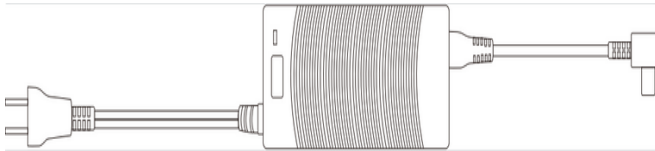
1 What's in the Box



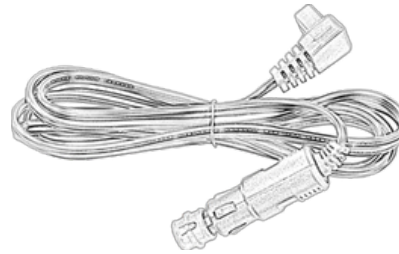
Refrigerator x1



Wire Basket x2

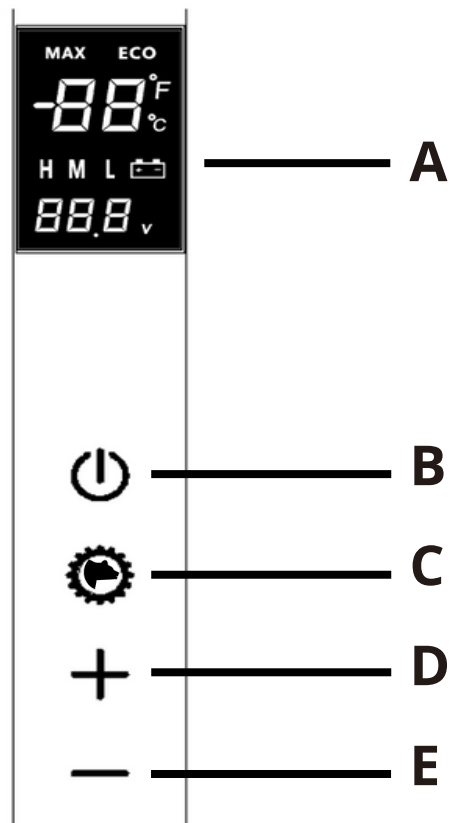


220V AC
Adapter X1



12/24V DC Cigarette
Lighter Plug Cable x1

2 Fridge Operations



- A** Display Panel
- B** Power ON/OFF Button
- C** Setting Button
- D** "+" Button
- E** "-" Button

2.1 MAX & ECO Mode

1. **Power On:** Press & hold the power button for 3 seconds.
2. **(Temperature) (Max/Eco) and (Battery Protection) Level**
Adjustments can be made by:
pressing the setting button and use "+" and "-" button to make needed adjustments.

2.2 Switch Between °C and °F

With the unit shut off, press & hold the setting button for 3 seconds until you see "F1", then you can press the setting button a few more times until you see the "CF" selection and you can use the "+" or "-" to make your selections.

3 Cleaning & Maintenance

3.1 Cleaning

- Always unplug the fridge before cleaning the fridge.
- You can clean the interior and exterior of the fridge by using warm water, mixed with a gentle non-abrasive detergent.
- You may use a soft sponge, or micro fiber cloth.
- When not in use, it's better to leave the lids open to reduce odors.
- If odors occur, please clean the fridge thoroughly, or use baking soda in a bowl to absorb odors.

3.2 warning

- Do not use pointed objects to scrape, or defrost ice.
- Do not use abrasive detergents to clean.
- Do not use heavy duty sponges (due to scratching).
- Do not clean the fridge with running water or pressure washer.
- Do not clean the fridge without power input covers secured.

4

Error Codes & Solutions

Code	Description
E1	The DC voltage is below the protection settings and the battery protection mode is activated.
E2	The cooling fan is over-loaded with more than 1A of current.
E3	Compressor start error The motor of compressor is blocked or the pressure difference in the refrigeration system is too high.
E4	Minimum motor speed error The compressor is over-loaded, and the motor cannot maintain its minimum speed of 1850 rpms.
E5	Thermal cut-out of electronic unit Thermal cut-out error. If the refrigeration system overloads, or the ambient temperature is too high, the thermal sensor is overheated.
E6	NTC failure (open circuit)
E7	NTC failure (short circuit)

5 Troubleshooting (Q&A)

1. Heat & Water Resistance

Heat resistance

CoolRide refrigerators are engineered to operate at an ambient temperature of up to 55 °C (131 °F).

Weather Proof

Refrigerators can operate under light rain conditions.

We DO NOT recommend exposing the fridge to moderate or heavy rain.

As with all electrical appliances, over-exposure to moisture may shorten the fridges' life. Please keep the vents clear of water, and please add some clearances to the bottom of the fridge, if the ground is wet.

2. Why did it change back to the original temperature after setting the temperature?

The Solid/Non-Flashing number on the display is the CURRENT interior temperature. The Flashing number is your SET temperature after adjustment. The compressor will shut off when the SET temperature is reached.

3. What should I do if the refrigerator is upside down when it is delivered?

Please leave your refrigerator upright for 24 hours to allow the compressor lubricant to resettle before powering on the fridge. Otherwise it may contribute to certain operation abnormalities. If the fridge has any visible oil or fluid leaks, please contact us immediately.

4. What is the function of triple battery protection? How do they work?

The triple battery protection is designed to prevent over-discharge and battery depletion. When the measured DC voltage is below the set value, the compressor will shut off to prevent battery depletion.

Battery Protection (ON SWITCH POSITION)	Cut-out 12V	Cut-in 12V	Cut-out 24V	Cut-in 24V
LOW	9.6	10.9	21.3	22.7
MED	10.8	11.8	22.3	23.7
HIGH	11.3	12.6	24.3	25.7

For example, when you switch to a LOW MODE, the battery voltage is lower than 9.6 volts, the refrigerator will automatically power off; When the battery voltage reaches 10.9 volts, the refrigerator will start again.

6 Safety Instruction

SAFETY INSTRUCTIONS

Please read the user manual and safety instructions carefully before using the appliance.

By ignoring the safety instructions, the manufacturer cannot be held responsible for the damage.

The use of accessories that are not recommended by manufacturer can cause injuries and will invalidate any warranty that you may have.

The appliance shall not be exposed to rain.

Place the refrigerator on a dry, protected surface, away from corners.

- ❗ Do not use the refrigerator in uncovered outdoor areas exposed to the environment.
- ❗ Do not use this appliance near a direct heat source. For example: a cooker, radiator, or exposing it to direct sunlight.
- ❗ Do not place ice or liquids that are not sealed in a container within the refrigerator.
- ❗ Do not place hot products or hot food in the refrigerator. Place the products so that they do not knock against each other or break when the appliance is in motion.

Ensure that the lid is always latched securely and reduce the amount of time the lid is left open.

The power cable must only be replaced by a qualified technician personnel or by an assistant authorized by the manufacturer.

Before carrying out any maintenance operations on the refrigerator, disconnect the power cable from the plug.

This appliance is suitable for camping use.

WARNING!

- ❗ Keep ventilation openings clear of obstruction. 3 inches recommended.
- ❗ Do not use mechanical devices or other means to accelerate the defrosting process, unless recommended by the manufacturer.
- ❗ Do not damage the refrigerant circuit.
- ❗ Do not use electrical appliances inside the food storage compartments of the appliance, unless they are the type recommended by the manufacturer.
- ❗ Do not store explosive substances such as aerosol cans with a flammable propellant in this appliance.
- ❗ Risk of fire and electrical shock.
- ❗ Do not let hot items come in contact with the plastic parts of the appliance.
- ❗ Do not put flammable products or items that are wet with flammable products in or near the appliance.

- ❗ Do not touch the compressor or the con-denser. They are hot.
- ❗ When positioning the appliance, ensure the supply cord is not trapped, caught or damaged.
- ❗ Do not locate multiple portable socket-outlets or portable power supplies at the rear of the appliance.

Further information is provided on the technical data label inside the product.

1. This appliance is not intended to be used by the following: children, those with physical, sensory, or mental disabilities, or those with a lack of experience/ knowledge unless they have been given supervision or instructions concerning the use of the appliance by a person responsible for their safety.

2. Children should be supervised to ensure that they do not play with the appliance.

3. This appliance is intended to be used in a household or similar applications such as:

- Staff kitchen areas in shops, offices, and other working environments
- Farmhouses and by clients in hotels, motels, and other residential type environments
- Bed and breakfast type environments
- Catering and similar non-retail applications

4. If the supply cord is damaged, it must be replaced by the manufacturer, a service agent, or a similarly qualified person in order to avoid any hazards.

5. Do not store explosive substances such as aerosol cans with a flammable propellant in this appliance.

6. **DANGER:** Risk of child entrapment. Before you throw away your old refrigerator or freezer:

*** Take off the doors.**

*** Leave the shelves in place so that children may not easily climb inside.**

Explorer Bear

www.explorerbear.com