



SUPRA W2 CONSTANT TENSION Hose Clamp AISI 430 Stainless Steel

The Supra CT W2 clamp incorporates a bespoke bolt and a series of conical washers to the already outstanding Supra W2 clamp. This specialized version of the Supra W2 clamp is used in applications subject to vibration and/or great variations in temperature which can cause the components of a hose assembly to expand and contract. Thanks to the spring washer system, the Supra CT maintains constant pressure around the hose despite variations in temperature or vibration.

This clamp is generally fitted in combustion engines in construction machinery, trucks, tractors, buses, marine engines, military vehicles and diesel-powered generators. The bevelled edges protect the hose from damage.

The Supra CT clamp complies fully with the Directive EU 20032/95/EC.

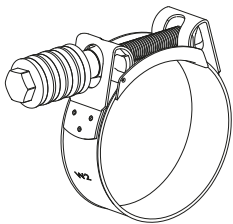
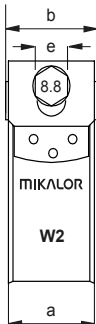
** The maximum application pressure can vary depending on the type of hose used and the geometry of the coupling.*

Application Ø									
mm	Part n°	r	e	a	b	Maximum values		Box Quantity (MOQ)	Outer Packing
						Torque (Nm)	Pressure (Bars)		
17-19	0302010-0	M6	10	18 ⁺⁰²	19,8	4,5	50	50	50
19-21	0302011-8	M6	10	18 ⁺⁰²	19,8	4,5	50	50	50
21-23	0302012-6	M6	10	18 ⁺⁰²	19,8	4,5	48	50	50
23-25	0302013-4	M6	10	18 ⁺⁰²	19,8	4,5	48	50	50
25-27	0302014-2	M6	10	18 ⁺⁰²	19,8	4,5	45	50	50
27-29	0302015-0	M6	10	18 ⁺⁰²	19,8	4,5	45	50	50
29-31	0302016-9	M7	10	20 ⁺⁰³	22,0	8	42	50	50
31-34	0302017-7	M7	10	20 ⁺⁰³	22,0	8	42	50	50
34-37	0302018-5	M7	10	20 ⁺⁰³	22,0	8	40	50	50
37-40	0302019-3	M7	10	20 ⁺⁰³	22,0	8	40	50	50
40-43	0302020-6	M7	10	20 ⁺⁰³	22,0	8	38	50	50
43-47	0302021-4	M7	10	20 ⁺⁰³	22,0	10	38	50	50
47-51	0302022-2	M7	10	20 ⁺⁰³	22,0	10	36	50	50
51-55	0302023-0	M7	10	20 ⁺⁰³	22,0	10	36	25	25
55-59	0302024-9	M7	10	20 ⁺⁰³	22,0	10	34	25	25
59-63	0302025-7	M7	10	20 ⁺⁰³	22,0	10	34	25	25
63-68	0302026-5	M7	10	20 ⁺⁰³	22,0	10	34	25	25
68-73	0302027-3	M8	13	25 ⁺⁰⁴	27,5	25	28	25	25

Application Ø									
d mm	Part n°	r	e	a	b	Maximum values		Box Quantity (MOQ)	Outer Packing
						Torque (Nm)	Pressure (Bars)		
73-79	0302028-1	M8	13	25 ⁺⁰⁴	27,5	25	28	25	25
79-85	0302029-0	M8	13	25 ⁺⁰⁴	27,5	25	28	25	25
85-91	0302030-2	M8	13	25 ⁺⁰⁴	27,5	25	20	25	25
91-97	0302031-0	M8	13	25 ⁺⁰⁴	27,5	25	20	25	25
97-104	0302032-9	M8	13	25 ⁺⁰⁴	27,5	25	20	25	25
104-112	0302033-7	M8	13	25 ⁺⁰⁴	27,5	25	12	25	25
112-121	0302034-5	M8	13	25 ⁺⁰⁴	27,5	25	12	25	25
121-130	0302035-3	M8	13	25 ⁺⁰⁴	27,5	25	12	25	25
130-140	0302036-1	M10	17	28 ⁺⁰⁴	31,0	50	9	10	10
140-150	0302037-0	M10	17	28 ⁺⁰⁴	31,0	50	9	10	10
150-162	0302038-8	M10	17	28 ⁺⁰⁴	31,0	50	9	10	10
162-174	0302039-6	M10	17	28 ⁺⁰⁴	31,0	50	6	10	10
174-187	0302040-9	M10	17	28 ⁺⁰⁴	31,0	50	6	10	10
187-200	0302041-7	M10	17	28 ⁺⁰⁴	31,0	50	6	10	10
200-213	0302042-5	M10	17	28 ⁺⁰⁴	31,0	50	3	10	10
213-226	0302043-3	M10	17	28 ⁺⁰⁴	31,0	50	3	10	10
226-239	0302044-1	M10	17	28 ⁺⁰⁴	31,0	50	3	10	10
239-252	0302045-0	M10	17	28 ⁺⁰⁴	31,0	50	3	10	10

* It is recommended to apply 75% of the maximum values contained in the table.

* Special dimensions can be manufactured on request.

TECHNICAL INFORMATION			
	MATERIAL	BAND AND BRIDGE: STAINLESS STEEL X8Cr17 AISI- 430 SCREW: 8.8 GRADE STEEL WASHERS AND TRUNIONS: STAINLESS STEEL AISI-304	
	FINISH	STAINLESS STEEL	
	CORROSION RESISTANCE	72 HOURS SALT SPRAY (ASTM B- 117)	
	MAXIMUM TIGHTENING SPEED (RPM)	540 ±5	