

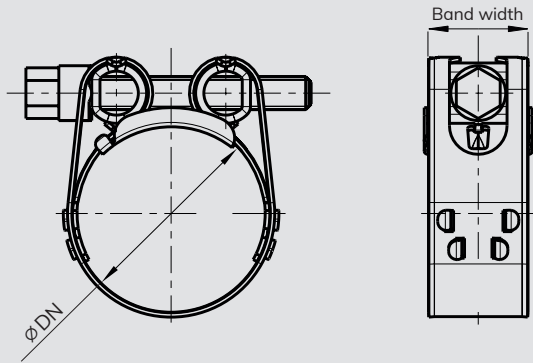
NORMACLAMP® GBS



Exceptionally high level of band tensile force

- ✓ Failure torques improved by a factor of two
- ✓ Band tensile force levels improved by a factor of three
- ✓ No welding spots and no contact corrosion
- ✓ Hollow trunions – reduce tensile forces on the bolt and the mechanical lock

NORMACLAMP® GBS



Applications

GBS is well suited to applications involving poly and braided tubing that require a complete seal, e.g. for:

- Machine building
- Chemical industry
- Irrigation systems
- Marine and shipbuilding
- Railway industry
- Agricultural and building machines

Materials

Group	W1, W2, W4 and W5
Band & housing	W1 (Galvanized steel), W2 (SS – AISI 439), W4 (SS – AISI 304) and W5 (SS – AISI 316)
Screw	W1 (Galvanized steel), W2 (Galvanized mild steel), W4 (SS – AISI 304) and W5 (SS – AISI 316)

Band width (mm)	Description	Clamping range Ø DN (mm)	Part number				Packaging quantity (pcs)
			W1	W2	W4	W5	
18	GBS M17-19 Sk*	17 – 19	0591 7181 018	0591 7182 018	0591 7184 018	0591 7185 018	50
18	GBS M19-21 Sk*	19 – 21	0591 7181 020	0591 7182 020	0591 7184 020	0591 7185 020	50
18	GBS M21-23 Sk*	21 – 23	0591 7181 022	0591 7182 022	0591 7184 022	0591 7185 022	50
18	GBS M23-25 Sk*	23 – 25	0591 7181 024	0591 7182 024	0591 7184 024	0591 7185 024	50
18	GBS M25-27 Sk	25 – 27	0591 7181 026	0591 7182 026	0591 7184 026	0591 7185 026	50
18	GBS M27-29 Sk	27 – 29	0591 7181 028	0591 7182 028	0591 7184 028	0591 7185 028	50
18	GBS M29-31 Sk	29 – 31	0591 7181 030	0591 7182 030	0591 7184 030	0591 7185 030	50
18	GBS M31-34 Sk	31 – 34	0591 7181 033	0591 7182 033	0591 7184 033	0591 7185 033	50
18	GBS M34-37 Sk	34 – 37	0591 7181 036	0591 7182 036	0591 7184 036	0591 7185 036	50
18	GBS M37-40 Sk	37 – 40	0591 7181 039	0591 7182 039	0591 7184 039	0591 7185 039	50
18	GBS M40-43 Sk	40 – 43	0591 7181 042	0591 7182 042	0591 7184 042	0591 7185 042	50
20	GBS M43-47 Sk	43 – 47	0591 7201 045	0591 7202 045	0591 7204 045	0591 7205 045	50
20	GBS M47-51 Sk	47 – 51	0591 7201 049	0591 7202 049	0591 7204 049	0591 7205 049	50
20	GBS M51-55 Sk	51 – 55	0591 7201 053	0591 7202 053	0591 7204 053	0591 7205 053	50
20	GBS M55-59 Sk	55 – 59	0591 7201 057	0591 7202 057	0591 7204 057	0591 7205 057	50
20	GBS M59-63 Sk	59 – 63	0591 7201 061	0591 7202 061	0591 7204 061	0591 7205 061	50
20	GBS M63-68 Sk	63 – 68	0591 7201 066	0591 7202 066	0591 7204 066	0591 7205 066	50
25	GBS M68-73 Sk	68 – 73	0591 7251 071	0591 7252 071	0591 7254 071	0591 7255 071	25
25	GBS M73-79 Sk	73 – 79	0591 7251 076	0591 7252 076	0591 7254 076	0591 7255 076	25
25	GBS M79-85 Sk	79 – 85	0591 7251 082	0591 7252 082	0591 7254 082	0591 7255 082	25
25	GBS M85-91 Sk	85 – 91	0591 7251 088	0591 7252 088	0591 7254 088	0591 7255 088	25
25	GBS M91-97 Sk	91 – 97	0591 7251 094	0591 7252 094	0591 7254 094	0591 7255 094	25
25	GBS M97-104 Sk	97 – 104	0591 7251 101	0591 7252 101	0591 7254 101	0591 7255 101	25
25	GBS M104-112 Sk	104 – 112	0591 7251 108	0591 7252 108	0591 7254 108	0591 7255 108	25
25	GBS M112-121 Sk	112 – 121	0591 7251 117	0591 7252 117	0591 7254 117	0591 7255 117	25
25	GBS M121-130 Sk	121 – 130	0591 7251 126	0591 7252 126	0591 7254 126	0591 7255 126	25

HOSE CLAMPS

Band width (mm)	Description	Clamping range Ø DN (mm)	Part number				Packaging quantity (pcs)
			W1	W2	W4	W5	
30	GBS M130-140 Sk	130 – 140	0591 7301 135	0591 7302 135	0591 7304 135	0591 7305 135	10
30	GBS M140-150 Sk	140 – 150	0591 7301 145	0591 7302 145	0591 7304 145	0591 7305 145	10
30	GBS M150-162 Sk	150 – 162	0591 7301 156	0591 7302 156	0591 7304 156	0591 7305 156	10
30	GBS M162-174 Sk	162 – 174	0591 7301 168	0591 7302 168	0591 7304 168	0591 7305 168	10
30	GBS M174-187 Sk	174 – 187	0591 7301 181	0591 7302 181	0591 7304 181	0591 7305 181	10
30	GBS M187-200 Sk	187 – 200	0591 7301 194	0591 7302 194	0591 7304 194	0591 7305 194	10
30	GBS M200-213 Sk	200 – 213	0591 7301 207	0591 7302 207	0591 7304 207	0591 7305 207	10
30	GBS M213-226 Sk	213 – 226	0591 7301 220	0591 7302 220	0591 7304 220	0591 7305 220	10
30	GBS M226-239 Sk	226 – 239	0591 7301 233	0591 7302 233	0591 7304 233	0591 7305 233	10
30	GBS M239-252 Sk	239 – 252	0591 7301 246	0591 7302 246	0591 7304 246	0591 7305 246	10
30	GBS M252-265 Sk	252 – 265	0591 7301 259	0591 7302 259	0591 7304 259	0591 7305 259	10
30	GBS M265-278 Sk	265 – 278	0591 7301 272	0591 7302 272	0591 7304 272	0591 7305 272	10
30	GBS M279-291 Sk	279 – 291	0591 7301 285	0591 7302 285	0591 7304 285	0591 7305 285	10
30	GBS M292-304 Sk	292 – 304	0591 7301 298	0591 7302 298	0591 7304 298	0591 7305 298	10

* These diameters are full trunnions and do not feature a mechanically locked closure, they are spot-welded

** ISK bolt for W5 material

Technical benefits

- ✓ New specially designed bolt with integrated spacer ensures improved performance
- ✓ Reinforced band loops withstands much higher torques
- ✓ Mechanically locked closure, thus no welding spots causing contact corrosion

NORMACLAMP® GBS is part of a broad portfolio. Discover more!



GBS STC



GBS QRC Closure



Do you have questions or require a personal consultation?

Feel free to contact our NORMA Team! Tel.: +49 6181-403-0

Visit our website for more information about our products: www.norma-connects.com

NORMA Group Holding GmbH | Edisonstraße 4 | 63477 Maintal | Germany | normagroup.com

This document supersedes all previous issues. No part of this publication may be reproduced without our prior written consent. In NORMA Group's policy of continual product improvements to meet user needs and technological developments, all models and sets listed in this file (photographs, specifications, sizes and weights) may be upgraded or discontinued without notice and without any obligation on our part to modify tools or equipment sold previously. The recommendations for use and safety given in this file do not replace accepted good practice or the safety related legal and regulatory provisions. References to standards implemented as of 1 November 2019 are not contractually binding.