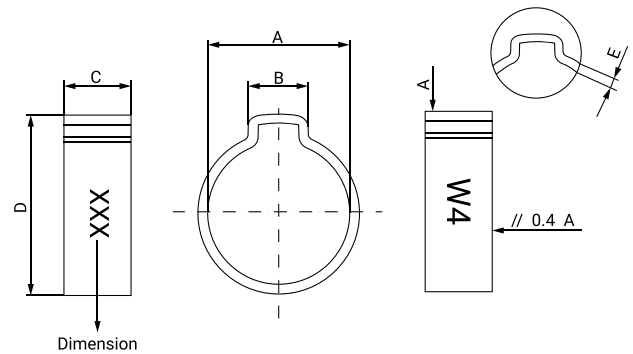


The use of one ear clips is an economical solution for many simple hose assemblies carrying air or fluids. They are ideal for use with simple hose assemblies which do not require high clamping force. The practical design of ear clips means that they are easy, fast and safe to mount. They are also tamper-proof once mounted. The edges are rounded to avoid damage to the hose.

MATERIAL: Steel W1 DC04 (EN 10139)
FINISH: Zinc-plated Cr3
CORROSION RESISTANCE: 72 hours Salt Spray (ASTM B-117)

Ø Application	Part Number	A ±0.2	B ±0.2	C ±0.2	D +0.5 -0.2	E +0.1 -0.02	Box Quantity	Outer Box Quantity
7-9	03012080	9,3	5,5	6,0	13,0	0,6	1.000	8.000
8-10	03012072	10,3	6,0	6,0	14,0	0,8	1.000	8.000
9-11	03012013	11,3	6,5	6,5	15,0	0,8	1.000	8.000
10-12	03012021	12,3	7,0	6,5	16,0	0,8	500	8.000
11-13	03012030	13,3	7,5	6,5	17,0	0,9	500	8.000
12-14	03012048	14,3	8,0	7,0	18,5	1,0	500	4.000
14-16	03012056	16,3	8,5	7,0	20,5	1,1	500	4.000
16-18	03012064	18,3	9,0	7,0	23,0	1,1	500	4.000



The use of one ear clips is an economical solution for many simple hose assemblies carrying air or fluids. They are ideal for use with simple hose assemblies which do not require high clamping force. The practical design of ear clips means that they are easy, fast and safe to mount. They are also tamper-proof once mounted. The edges are rounded to avoid damage to the hose.

MATERIAL: Stainless Steel W4
AISI 304 1.4301
(EN 10088-2:2005)

**CORROSION
RESISTANCE:** 400 hours Salt Spray
(ASTM B-117)

Ø Application	Part Number	A ±0.2	B ±0.2	C ±0.2	D +0.5 -0.2	E +0.1 -0.02	Box Quantity	Outer Box Quantity
7-9	23012440	9,3	5,5	6,0	12,8	0,6	1.000	16.000
8-10	23012087	10,3	6,0	6,0	13,8	0,8	1.000	16.000
9-11	23012010	11,3	6,5	6,5	14,8	0,8	1.000	8.000
10-12	23012028	12,3	7,0	6,5	15,8	0,8	500	8.000
11-13	23012036	13,3	7,5	6,5	16,8	0,9	500	8.000
12-14	23012044	14,3	8,0	7,0	18,8	0,9	500	8.000
13-15	23012079	15,3	8,0	7,0	19,5	1,0	500	4.000
14-16	23012052	16,3	8,5	7,0	20,3	1,0	500	4.000
15-17	23012458	17,3	9,0	7,0	22,0	1,0	500	4.000
16-18	23012060	18,3	9,0	7,0	22,8	1,0	500	4.000
17-19	23012423	19,3	9,5	7,5	24,0	1,0	250	2.000
18-20	23012431	20,3	10,0	7,5	25,0	1,0	250	2.000