

ASFA L (9 mm) Hose Clamp Galvanized Steel - W1



W1

Thanks to the exclusive design of the housing and the high-strength screw, the ASFA LW1 Worm-Drive Clip has excellent performance while being at the same time very compact.

The cold-formed stamped 9mm band, smoothed on the underside, combined with the bevelled band edges protects the hose from any damage.

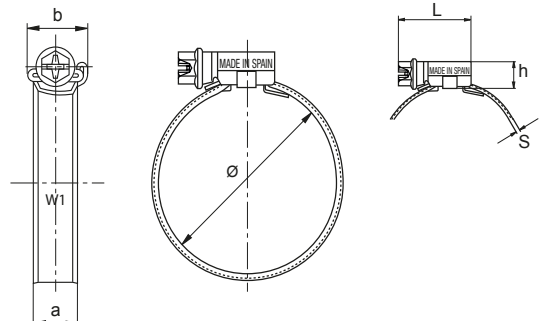
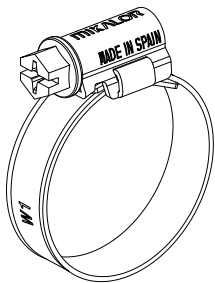
DIN 3017. The ASFA LW1 hose clip complies fully with the DIN 3017 norm and also with the directive EU 2002/95/EC. This clip is ideal for general industrial applications.

** The maximum application pressure can vary depending on the type of hose used and the geometry of the coupling.*

Application Ø										
mm	Part nº	L max.	S +0,10	h max.	a +0,3 a -0,2	b max.	Maximum values		Box Quantity (MOQ)	Outer Packing
							Torque (Nm)	Pressure (Bars)		
8-12	0300874-5	17,5	0,65	9,2	7	11,5	1,5	15	200	1600
8-16	0300875-3	22,1	0,65	10,5	9	14	3	40	200	800
12-22	0300876-1	22,1	0,65	10,5	9	14	3	40	200	800
16-27	0300877-0	23,6	0,75	10,5	9	14	3,5	38	200	800
20-32	0300878-8	23,6	0,75	10,5	9	14	3,5	36	200	800
25-40	0300879-6	25,6	0,75	10,5	9	14	4	32	100	400
30-45	0300880-9	25,6	0,75	10,5	9	14	4	28	100	800
32-50	0300881-7	25,6	0,75	10,5	9	14	4	24	100	800
40-60	0300882-5	25,6	0,75	10,5	9	14	4	19	100	400
50-70	0300883-3	29,6	0,75	10,5	9	14	4	17	100	100
60-80	0300884-1	29,6	0,75	10,5	9	14	4	15	100	100
70-90	0300885-0	29,6	0,75	10,5	9	14	4	13	50	400
80-100	0300886-8	29,6	0,75	10,5	9	14	4	11	50	400
90-110	0300887-6	29,6	0,75	10,5	9	14	4	10	25	200
100-120	0300888-4	29,6	0,75	10,5	9	14	4	9	25	200
110-130	0300889-2	29,6	0,75	10,5	9	14	4	8	25	200
120-140	0300890-5	29,6	0,75	10,5	9	14	4	7	25	200
130-150	0300891-3	29,6	0,75	10,5	9	14	4	6	25	200
140-160	0300892-1	29,6	0,75	10,5	9	14	4	5	25	25

** It is recommended to apply 75% of the maximum values contained in the table.*

TECHNICAL INFORMATION	
MATERIAL	BAND AND HOUSING: GALVANIZED STEEL (EN 1.0935) SCREW: STEEL Qst 36-3 (DIN 1.0214)
FINISH	BAND AND HOUSING: GALVANIZED STEEL SCREW: GREY-WHITE Cr3 ZINC-PLATED
CORROSION RESISTANCE	144 HOURS SALT SPRAY (ASTM B-117)
MAXIMUM TIGHTENING SPEED (RPM)	540 ±5



ASFA L (9 mm) Hose Clamp AISI 430 Stainless Steel - W2



W2

Thanks to the exclusive design of the housing and the high-strength screw, the ASFA LW2 hose clip has excellent performance while being at the same time very compact.

The cold-formed stamped 9mm band, smoothed on the underside, combined with the bevelled band edges protects the hose from any damage. W2 material is very versatile, meaning that this clamp is used in many different sectors and is our top-selling 9mm bandwidth clamp.

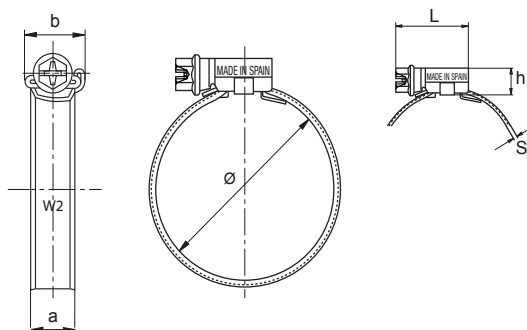
DIN 3017. The ASFA LW2 hose clip complies fully with the DIN 3017 norm and also with the directive EU 2002/95/EC.

** The maximum application pressure can vary depending on the type of hose used and the geometry of the coupling.*

Application Ø										
mm	Part nº	L max.	S +0,10	h max.	a +0,3 a -0,2	b max.	Maximum values		Box Quantity (MOO)	Outer Packing
							Torque (Nm)	Pressure (Bars)		
8-12	0301650-8	17,5	0,65	9,2	7	11,5	1,5	15	200	1600
8-16	0301651-6	22,1	0,65	10,5	9	14	3	40	200	800
12-22	0301652-4	22,1	0,65	10,5	9	14	3	40	200	800
16-27	0301653-2	23,6	0,75	10,5	9	14	3,5	38	200	800
20-32	0301654-0	23,6	0,75	10,5	9	14	3,5	36	200	800
25-40	0301655-9	25,6	0,75	10,5	9	14	4	32	100	400
30-45	0301656-7	25,6	0,75	10,5	9	14	4	28	100	800
32-50	0301657-5	25,6	0,75	10,5	9	14	4	24	100	800
40-60	0301658-3	25,6	0,75	10,5	9	14	4	19	100	400
50-70	0301659-1	29,6	0,75	10,5	9	14	4	17	100	100
60-80	0301660-4	29,6	0,75	10,5	9	14	4	15	100	100
70-90	0301661-2	29,6	0,75	10,5	9	14	4	13	50	400
80-100	0301662-0	29,6	0,75	10,5	9	14	4	11	50	400
90-110	0301663-9	29,6	0,75	10,5	9	14	4	10	25	200
100-120	0301664-7	29,6	0,75	10,5	9	14	4	9	25	200
110-130	0301665-5	29,6	0,75	10,5	9	14	4	8	25	200
120-140	0301666-3	29,6	0,75	10,5	9	14	4	7	25	200
130-150	0301667-1	29,6	0,75	10,5	9	14	4	6	25	200
140-160	0301668-0	29,6	0,75	10,5	9	14	4	5	25	25

** It is recommended to apply 75% of the maximum values contained in the table.*

TECHNICAL INFORMATION	
MATERIAL	BAND AND HOUSING: STAINLESS STEEL (AISI-430) SCREW: STEEL Qst 36-3 (DIN 1.0214)
FINISH	BAND AND HOUSING: STAINLESS STEEL SCREW: GREY-WHITE Cr3 ZINC-PLATED
CORROSION RESISTANCE	72 HOURS SALT SPRAY (ASTM B-117)
MAXIMUM TIGHTENING SPEED (RPM)	540 ±5



ASFA L (9 mm) Hose Clamp AISI 430 Stainless Steel - W3



W3

Thanks to the exclusive design of the housing and the high-strength screw, the ASFA LW3 hose clip has excellent performance while being at the same time very compact.

The cold-formed stamped 9mm band, smoothed on the underside, combined with the bevelled band edges protects the hose from any damage. This clamp is especially indicated for use in the automotive sector.

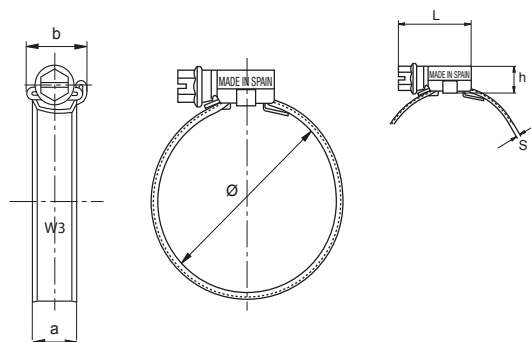
DIN 3017. The ASFA LW3 hose clip complies fully with the DIN 3017 norm and also with the directive EU 2002/95/EC.

** The maximum application pressure can vary depending on the type of hose used and the geometry of the coupling.*

Application Ø										
mm	Part n°	L max.	S +0,10	h max.	a +0,3 a -0,2	b max.	Maximum values		Box Quantity (MOQ)	Outer Packing
							Torque (Nm)	Pressure (Bars)		
8-16	0301601-4	22,1	0,65	10,5	9	14	3	40	200	800
12-22	0301602-2	22,1	0,65	10,5	9	14	3	40	200	800
16-27	0301603-0	23,6	0,75	10,5	9	14	3,5	38	200	800
20-32	0301604-9	23,6	0,75	10,5	9	14	3,5	36	200	800
25-40	0301606-5	25,6	0,75	10,5	9	14	4	32	100	400
30-45	0301607-3	25,6	0,75	10,5	9	14	4	28	100	800
32-50	0301608-1	25,6	0,75	10,5	9	14	4	24	100	800
40-60	0301609-0	25,6	0,75	10,5	9	14	4	19	100	400
50-70	0301610-2	29,6	0,75	10,5	9	14	4	17	100	100
60-80	0301611-0	29,6	0,75	10,5	9	14	4	15	100	100
70-90	0301612-9	29,6	0,75	10,5	9	14	4	13	50	400
80-100	0301613-7	29,6	0,75	10,5	9	14	4	11	50	400
90-110	0301614-5	29,6	0,75	10,5	9	14	4	10	25	200
100-120	0301615-3	29,6	0,75	10,5	9	14	4	9	25	200
110-130	0301616-1	29,6	0,75	10,5	9	14	4	8	25	200
120-140	0301617-0	29,6	0,75	10,5	9	14	4	7	25	200
130-150	0301618-8	29,6	0,75	10,5	9	14	4	6	25	200
140-160	0301619-6	29,6	0,75	10,5	9	14	4	5	25	25

** It is recommended to apply 75% of the maximum values contained in the table.*

TECHNICAL INFORMATION	
MATERIAL	BAND AND HOUSING: STAINLESS STEEL X6Cr17(AISI-430) SCREW: STAINLESS STEEL (AISI-304 CU)
FINISH	STAINLESS STEEL
CORROSION RESISTANCE	200 HOURS SALT SPRAY (ASTM B-117)
MAXIMUM TIGHTENING SPEED (RPM)	540 ±5



ASFA L (9 mm) Hose Clamp AISI 304 Stainless Steel - W4



W4

Manufactured entirely in AISI 304 Stainless Steel, the ASFA LW4 has high corrosion resistance that, combined with the exclusive design of the housing and screw, make this a durable clamp once assembled.

The cold-formed stamped 9mm band, smoothed on the underside, combined with the bevelled band edges protects the hose from any damage. This clamp is especially indicated for use in corrosive environments and in the foodstuffs industry.

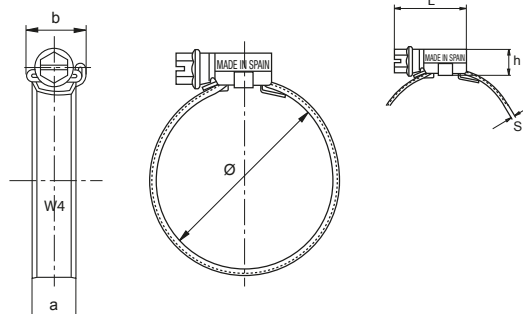
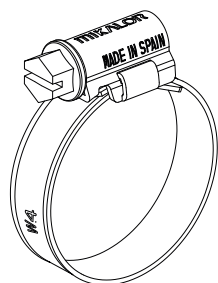
DIN 3017. The ASFA LW4 hose clip complies fully with the DIN 3017 norm and also with the directive EU 2002/95/EC.

** The maximum application pressure can vary depending on the type of hose used and the geometry of the coupling.*

Application Ø										
mm	Part n°	L max.	S +0,10	h max.	a +0,3 a -0,2	b max.	Maximum values		Box Quantity (MOQ)	Outer Packing
							Torque (Nm)	Pressure (Bars)		
8-12	0301400-0	17,5	0,65	9,2	7	11,5	1,5	15	200	1600
8-16	0301401-9	22,1	0,65	10,5	9	14	3	40	200	800
12-22	0301402-7	22,1	0,65	10,5	9	14	3	40	200	800
16-27	0301403-5	23,6	0,75	10,5	9	14	3,5	38	200	800
20-32	0301404-3	23,6	0,75	10,5	9	14	3,5	36	200	800
25-40	0301405-1	25,6	0,75	10,5	9	14	4	32	100	400
30-45	0301406-0	25,6	0,75	10,5	9	14	4	28	100	800
32-50	0301407-8	25,6	0,75	10,5	9	14	4	24	100	800
40-60	0301408-6	25,6	0,75	10,5	9	14	4	19	100	400
50-70	0301409-4	29,6	0,75	10,5	9	14	4	17	100	100
60-80	0301410-7	29,6	0,75	10,5	9	14	4	15	100	100
70-90	0301411-5	29,6	0,75	10,5	9	14	4	13	50	400
80-100	0301412-3	29,6	0,75	10,5	9	14	4	11	50	400
90-110	0301414-0	29,6	0,75	10,5	9	14	4	10	25	200
100-120	0301415-8	29,6	0,75	10,5	9	14	4	9	25	200
110-130	0301416-6	29,6	0,75	10,5	9	14	4	8	25	200
120-140	0301417-4	29,6	0,75	10,5	9	14	4	7	25	200
130-150	0301418-2	29,6	0,75	10,5	9	14	4	6	25	200
140-160	0301419-0	29,6	0,75	10,5	9	14	4	5	25	25

** It is recommended to apply 75% of the maximum values contained in the table.*

TECHNICAL INFORMATION	
MATERIAL	BAND AND HOUSING: STAINLESS STEEL X5CrNi1810 (AISI-304) SCREW: STAINLESS STEEL (AISI-304)
FINISH	STAINLESS STEEL
CORROSION RESISTANCE	400 HOURS SALT SPRAY (ASTM B-117)
MAXIMUM TIGHTENING SPEED (RPM)	540 ±5



ASFA L (9 mm) Hose Clamp AISI 316 Stainless Steel - W5



W5

Manufactured entirely in AISI 316 Stainless Steel, the ASFA LW5 is ideal for use in highly corrosive environments. It is a very popular clamp in regions with high salinity, moisture, rain or snow.

The cold-formed stamped 9mm band, smoothed on the underside, combined with the beveled band edges protects the hose from any damage. This clamp is especially indicated for use in the pulp and paper, maritime and foodstuffs industries.

DIN 3017. The ASFA LW5 hose clip complies fully with the DIN 3017 norm and also with the directive EU 2002/95/EC.

** The maximum application pressure can vary depending on the type of hose used and the geometry of the coupling.*

Application Ø										
mm	Part n°	L max.	S +0,10	h max.	a +0,3 a -0,2	b max.	Maximum values		Box Quantity (MOQ)	Outer Packing
							Torque (Nm)	Pressure (Bars)		
8-16	0301575-9	22,1	0,65	10,5	9	14	3	40	200	800
12-22	0301576-7	22,1	0,65	10,5	9	14	3	40	200	800
16-27	0301577-5	23,6	0,75	10,5	9	14	3,5	38	200	800
20-32	0301578-3	23,6	0,75	10,5	9	14	3,5	36	200	800
25-40	0301580-4	25,6	0,75	10,5	9	14	4	32	100	800
30-45	0301581-2	25,6	0,75	10,5	9	14	4	28	100	800
32-50	0301582-0	25,6	0,75	10,5	9	14	4	24	100	800
40-60	0301583-9	25,6	0,75	10,5	9	14	4	19	100	400
50-70	0301584-7	29,6	0,75	10,5	9	14	4	17	100	100
60-80	0301585-5	29,6	0,75	10,5	9	14	4	15	100	100
70-90	0301586-3	29,6	0,75	10,5	9	14	4	13	50	400
80-100	0301587-1	29,6	0,75	10,5	9	14	4	11	50	400
90-110	0301588-0	29,6	0,75	10,5	9	14	4	10	25	200
100-120	0301589-8	29,6	0,75	10,5	9	14	4	9	25	200
110-130	0301590-0	29,6	0,75	10,5	9	14	4	8	25	200
120-140	0301591-9	29,6	0,75	10,5	9	14	4	7	25	200
130-150	0301592-7	29,6	0,75	10,5	9	14	4	6	25	200
140-160	0301593-5	29,6	0,75	10,5	9	14	4	5	25	25

** It is recommended to apply 75% of the maximum values contained in the table.*

TECHNICAL INFORMATION	
MATERIAL	STAINLESS STEEL AISI-316
FINISH	STAINLESS STEEL
CORROSION RESISTANCE	1000 HOURS SALT SPRAY (ASTM B-117)
MAXIMUM TIGHTENING SPEED (RPM)	540 ±5

