



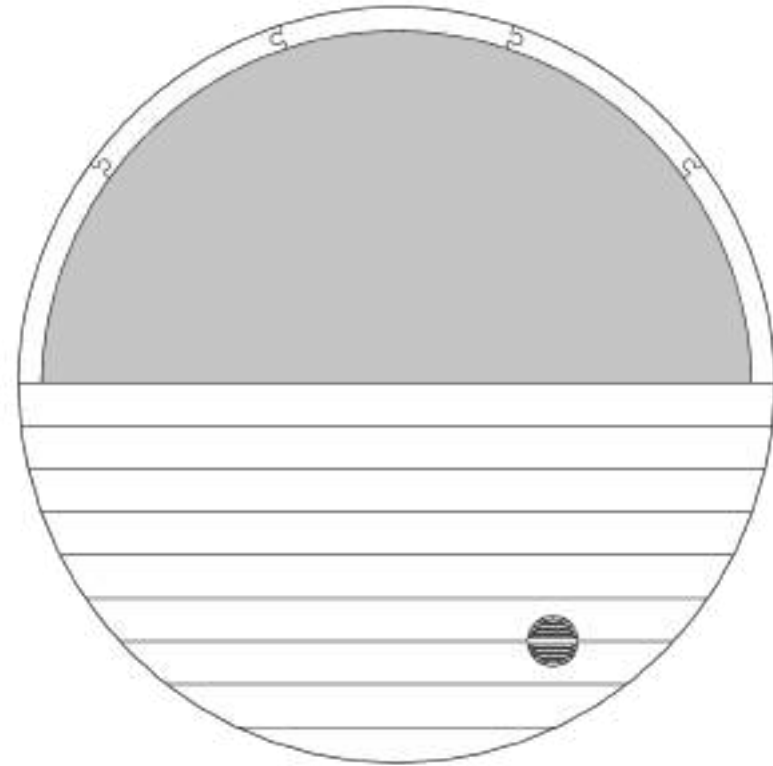
Ergo-Series E6W Barrel Sauna  
Half Glass Window 59D" x 81H"



Note: Please read manual before construction

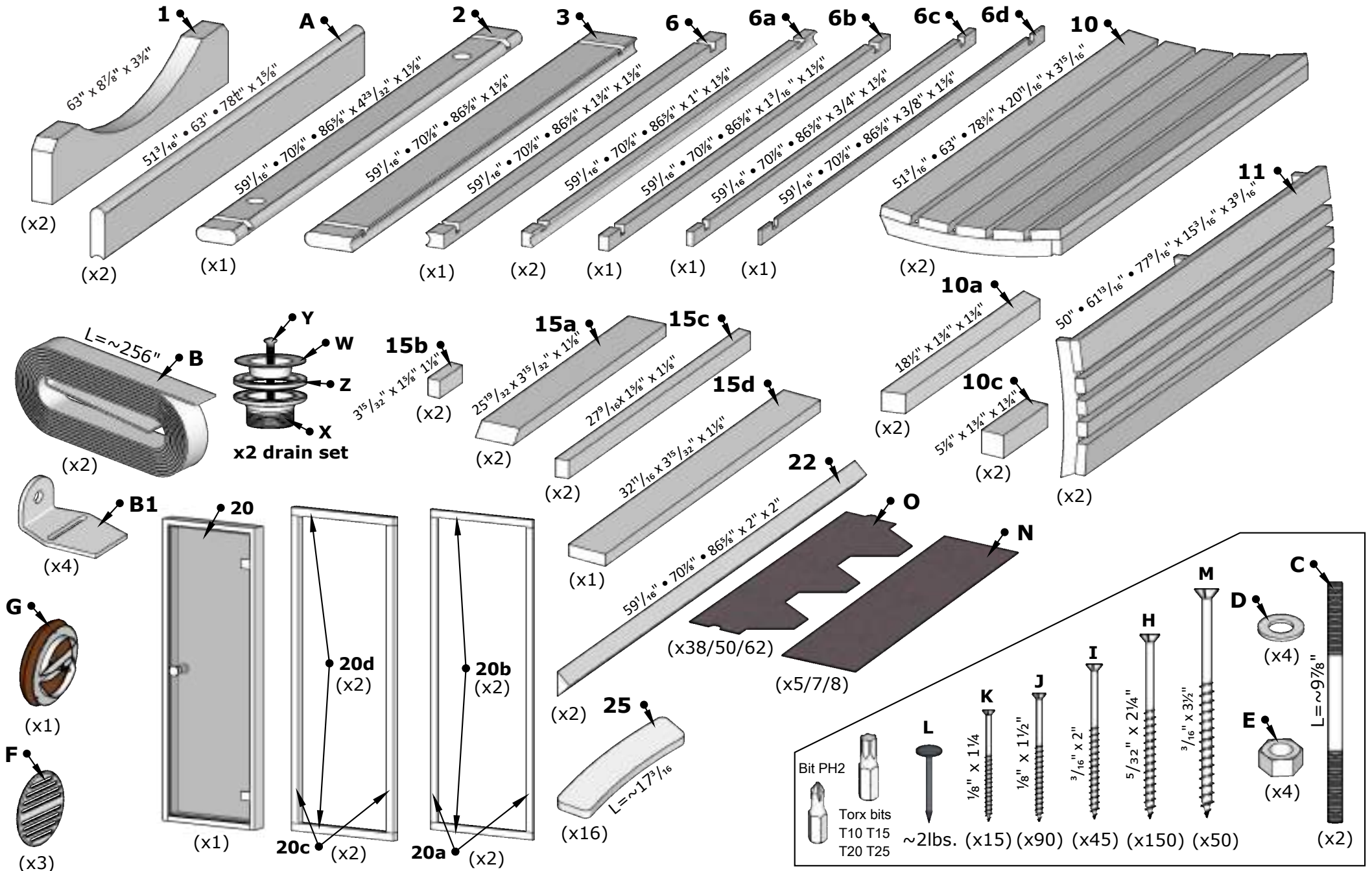
Rev 4/2023

# Front & Back Walls



# E6W Barrel Sauna 59D" x 81H"

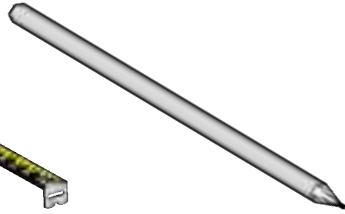
## Details list.



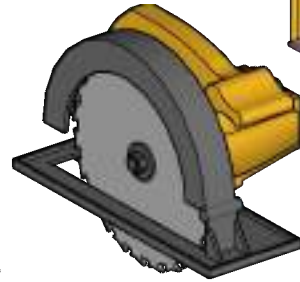
# Tools needed



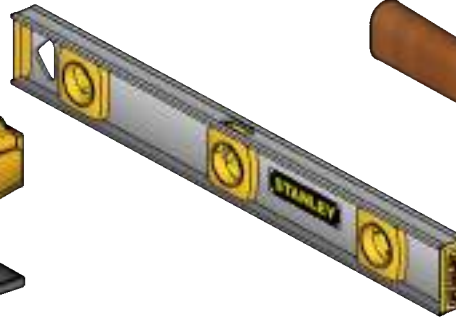
Measuring tape



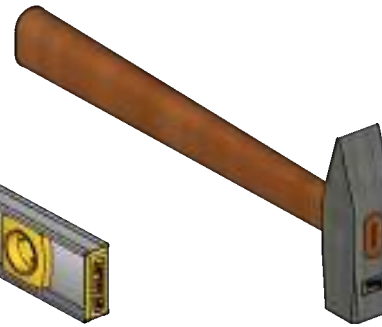
Marker pen



Circular saw



Water level



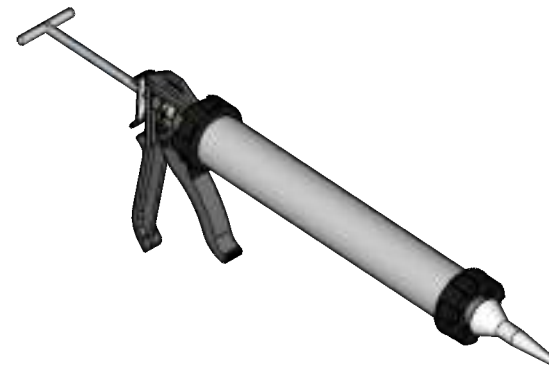
Hammer



Extra hands



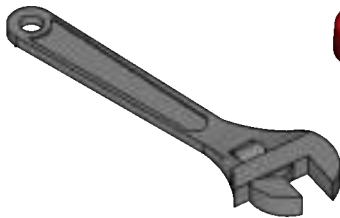
Ratchet strap



Silicone gun  
(Only glass-wall models)



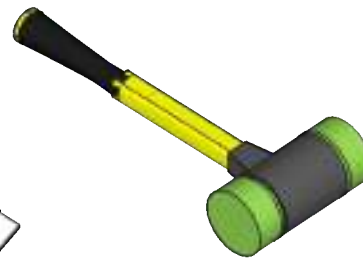
Drill



Crescent wrench

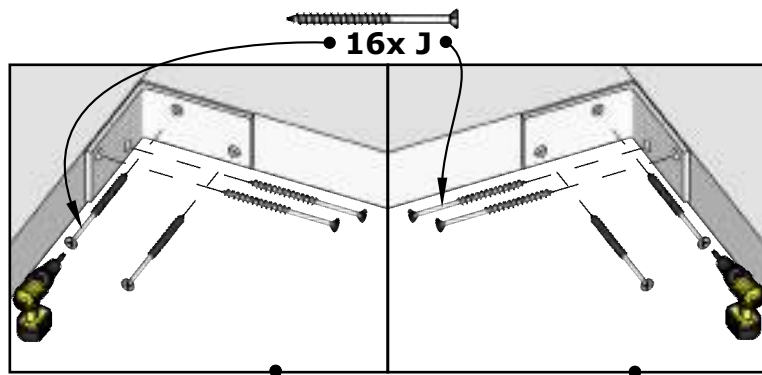
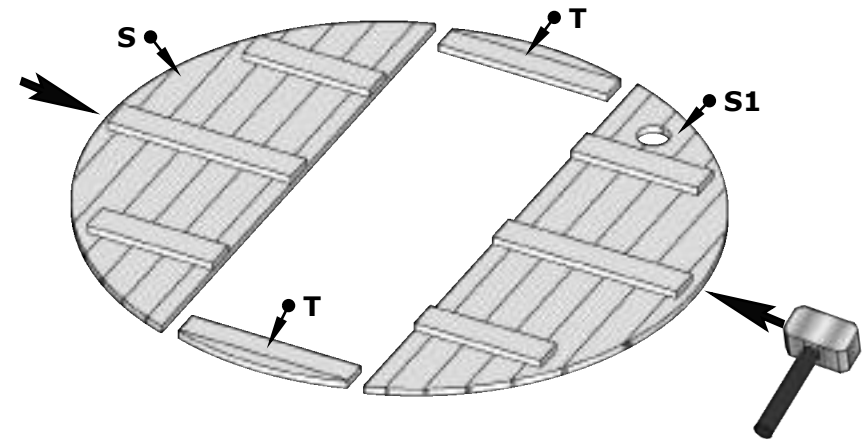
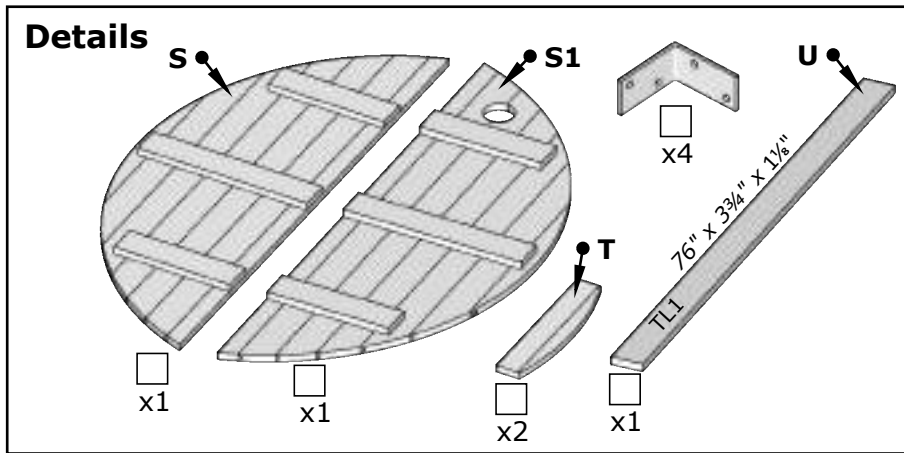


Utility knife

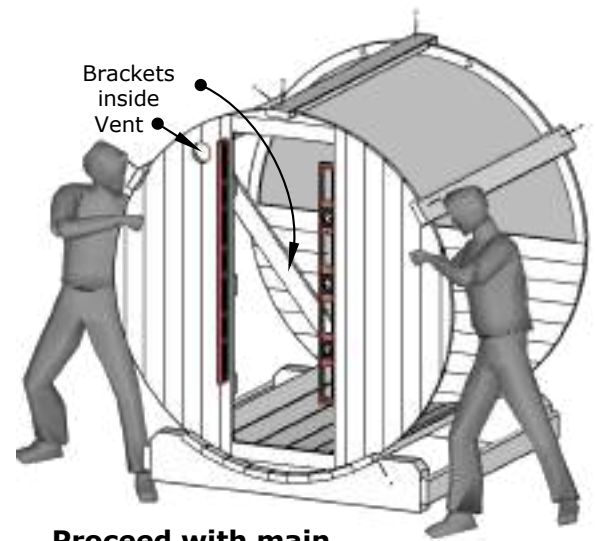
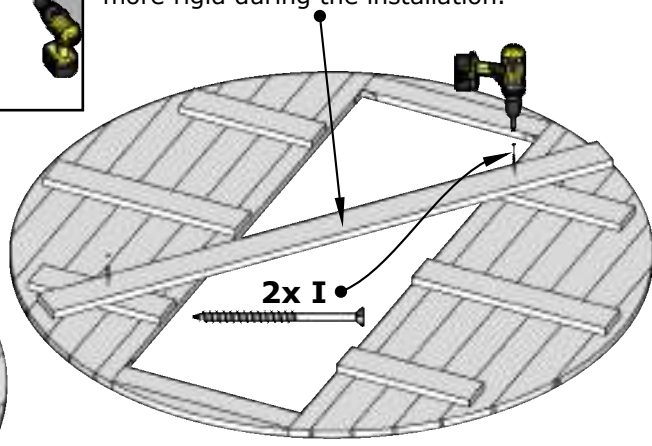
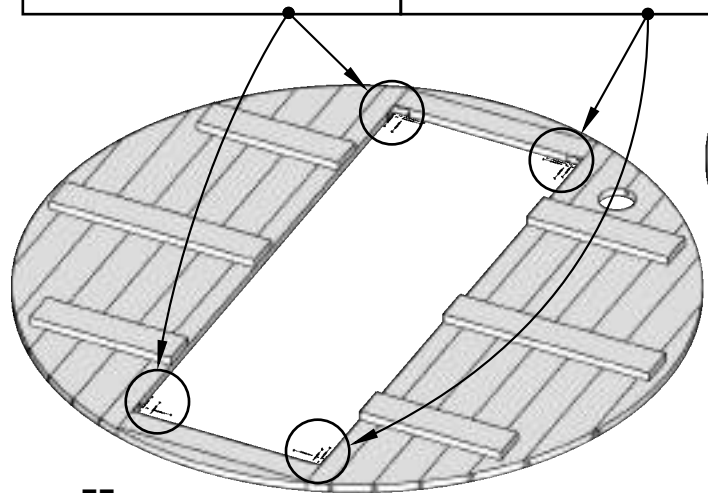


Rubber mallet

# Wooden front wall installation

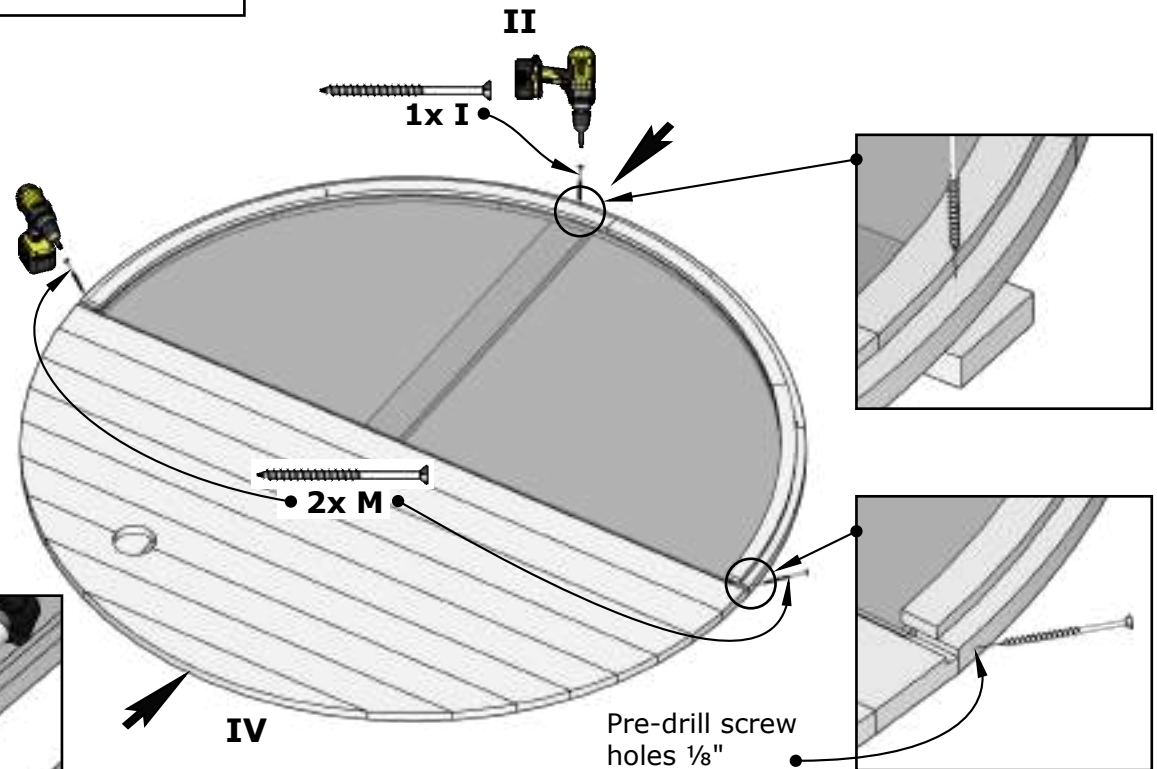
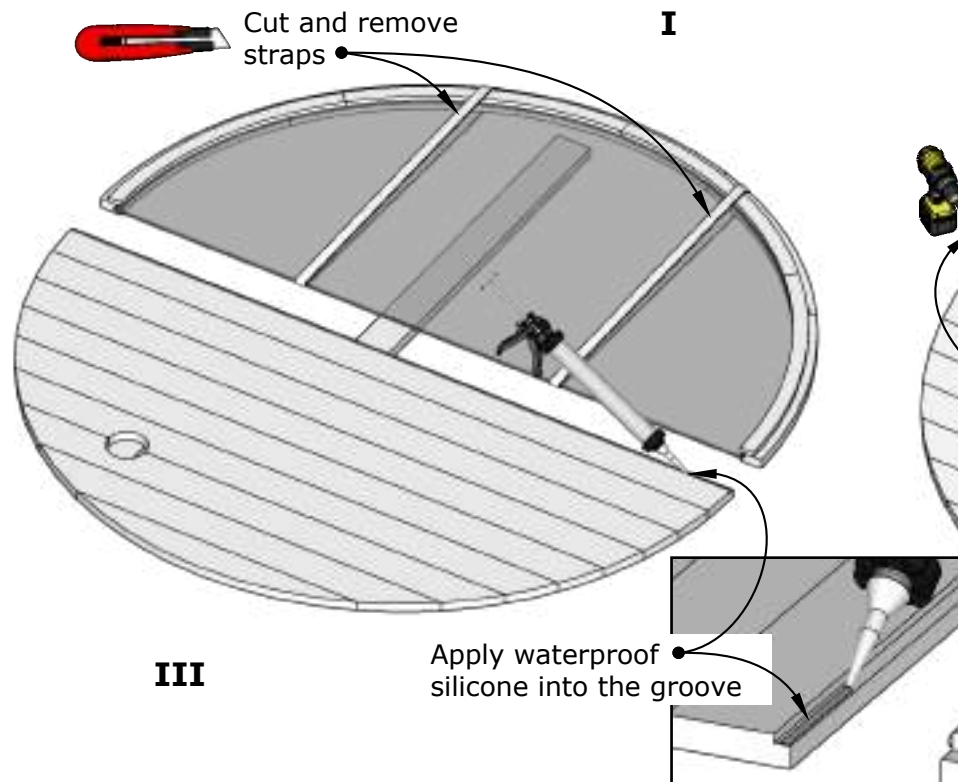
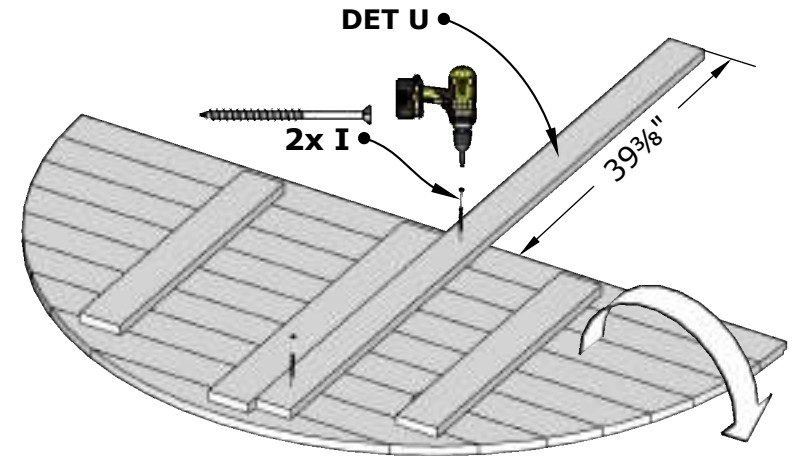
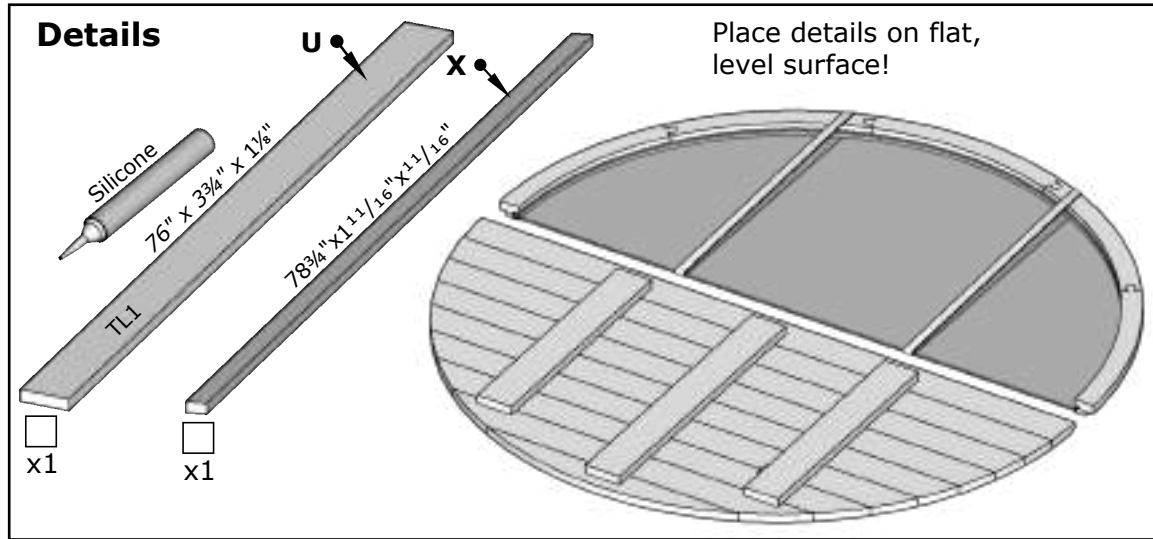


**DET U** Fix it diagonally to make wall more rigid during the installation.



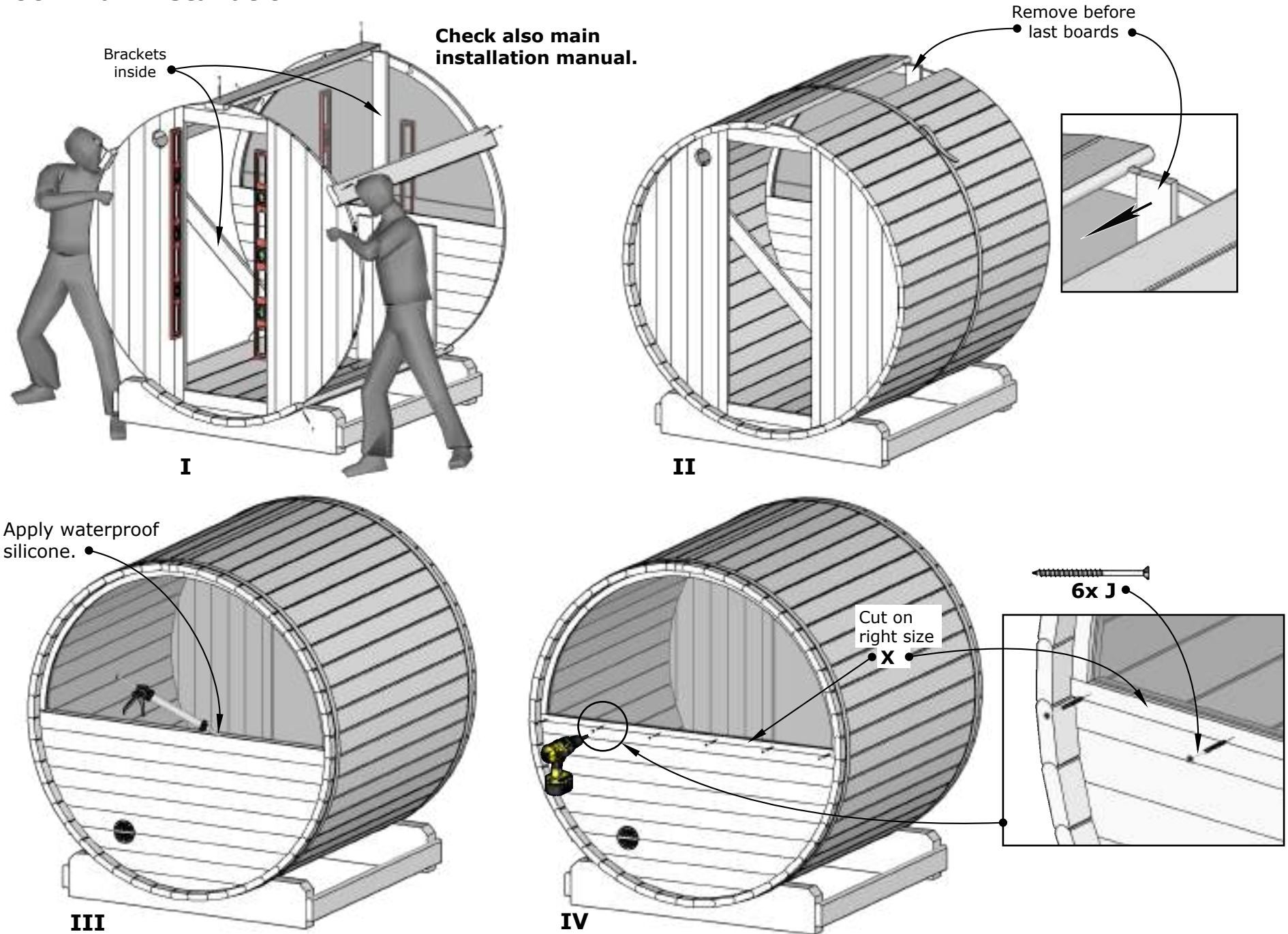
**Proceed with main installation manual!**

# Half-moon wall installation

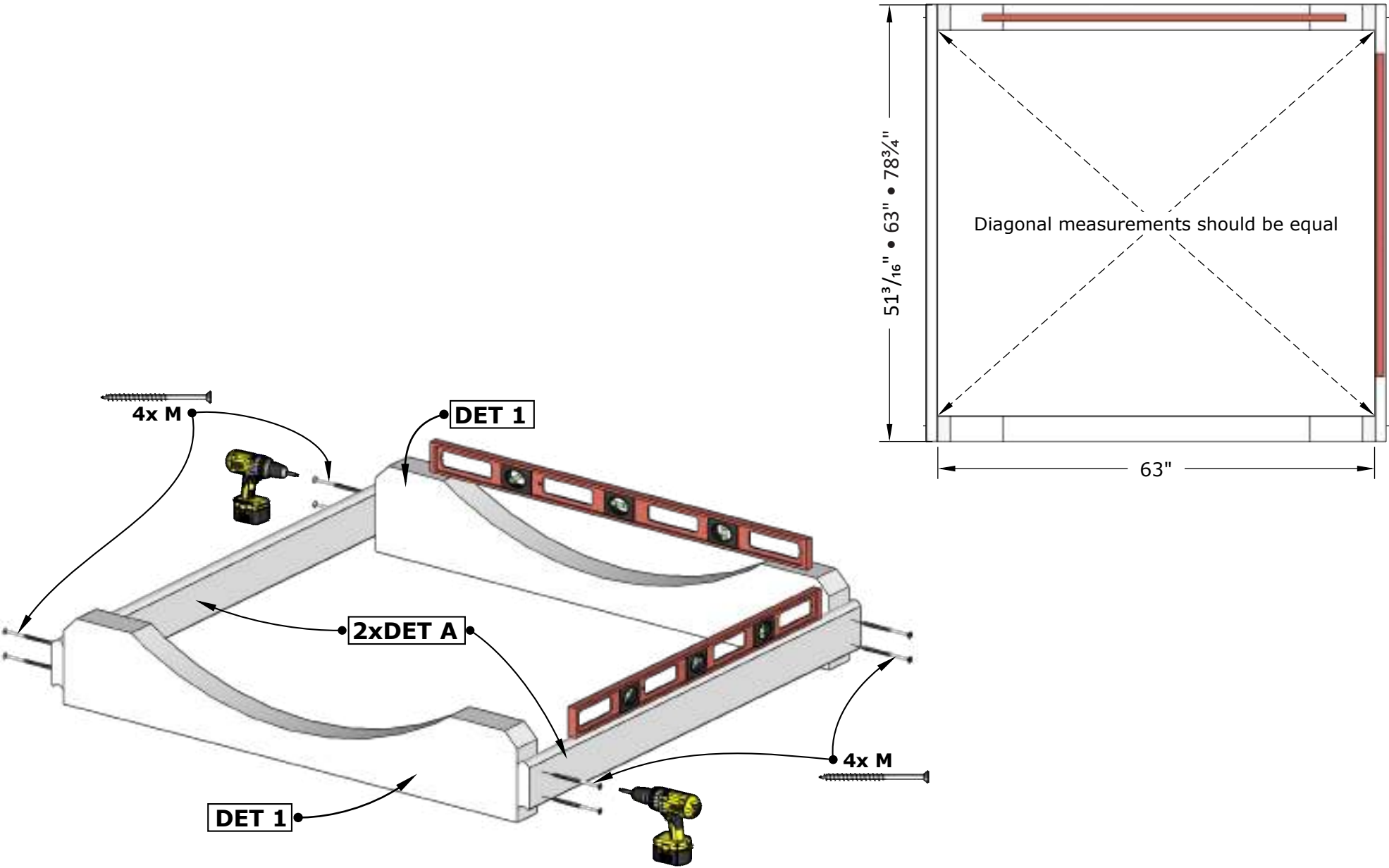


**WARNING:** Do not let screws touch glass!

# Half-moon wall installation



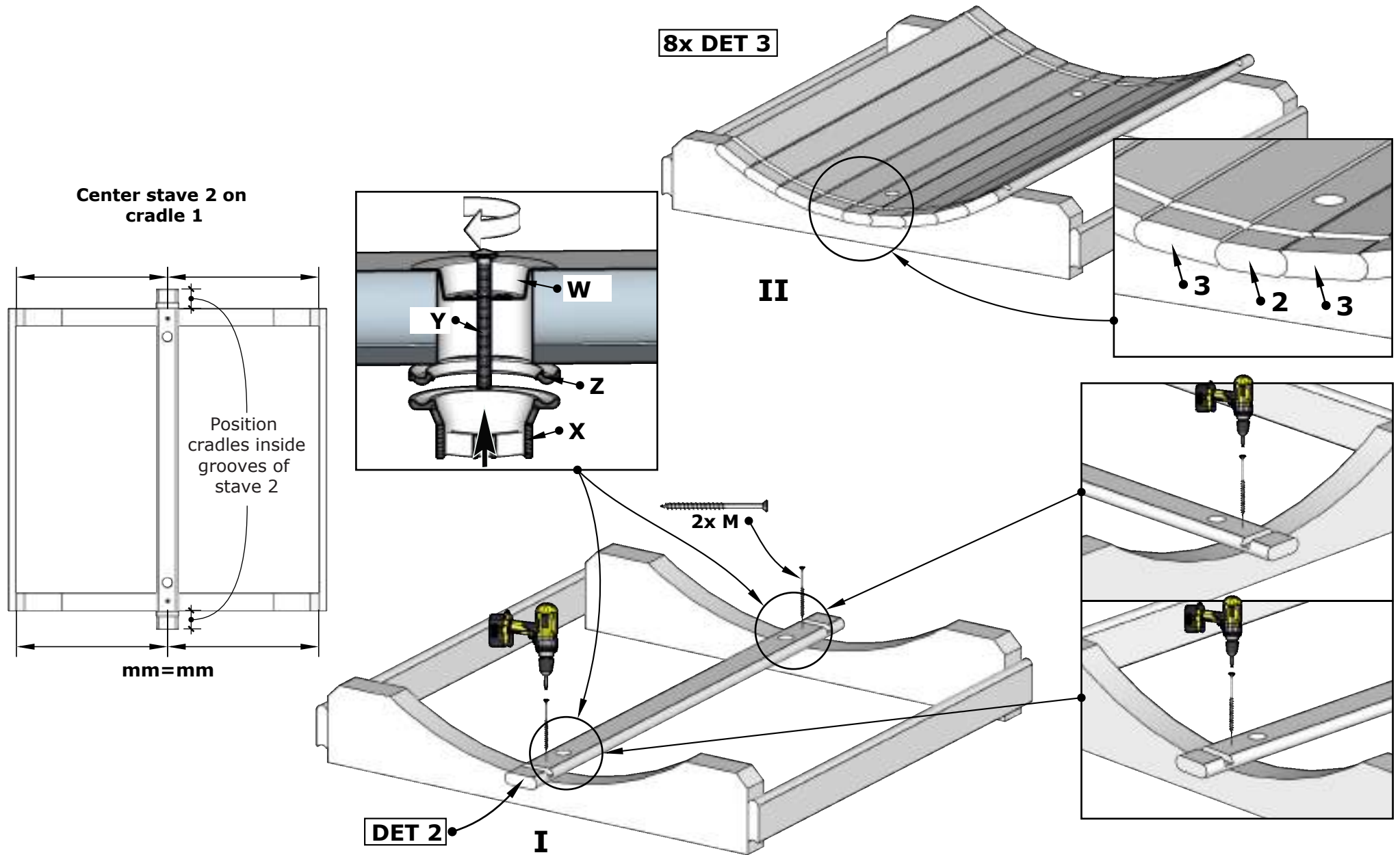
# E6W Barrel Sauna 59D" x 81H"



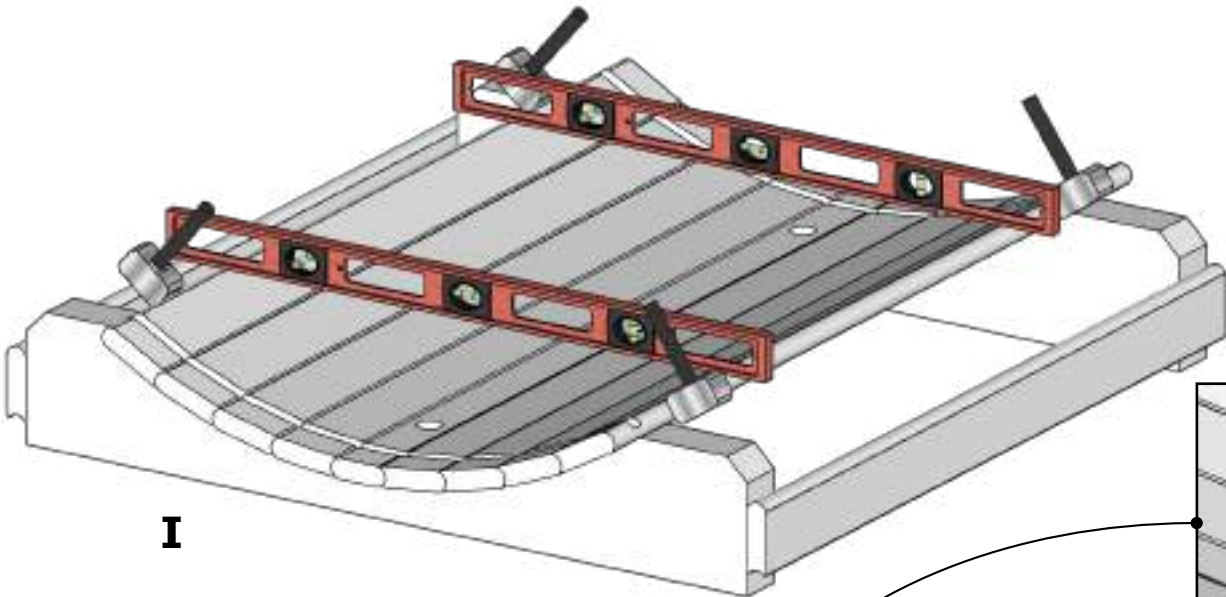
1.



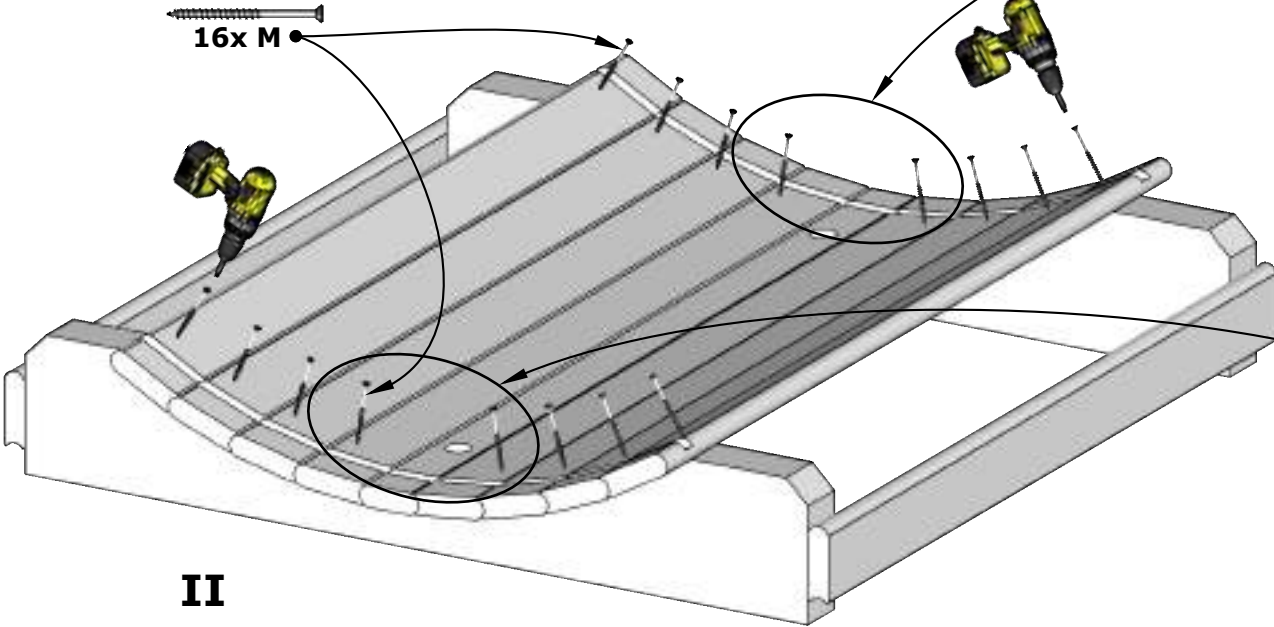
# E6W Barrel Sauna 59D" x 81H"



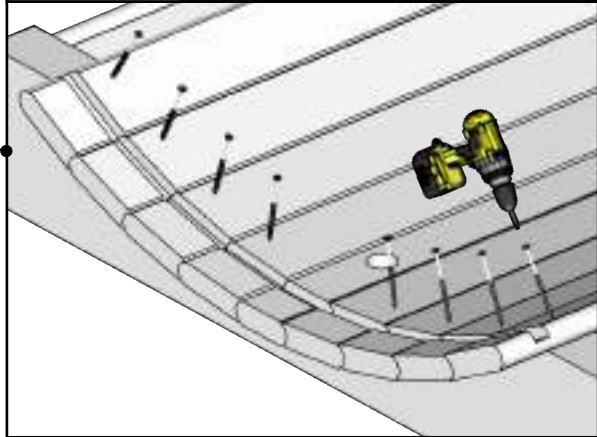
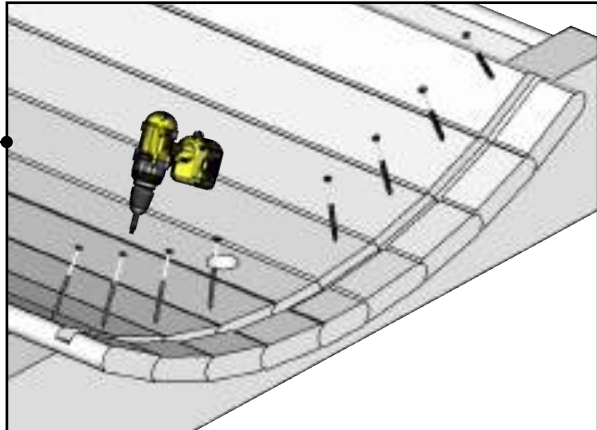
E6W Barrel Sauna 59D" x 81H"



I

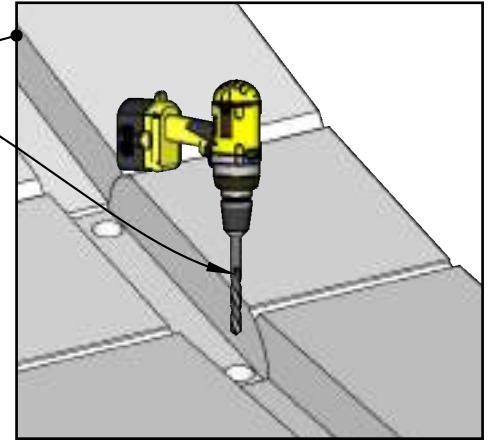
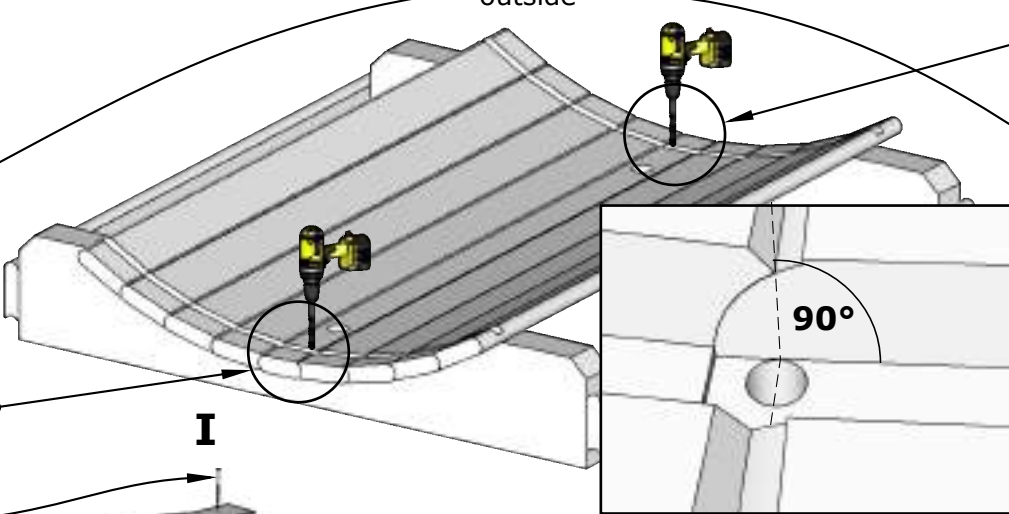
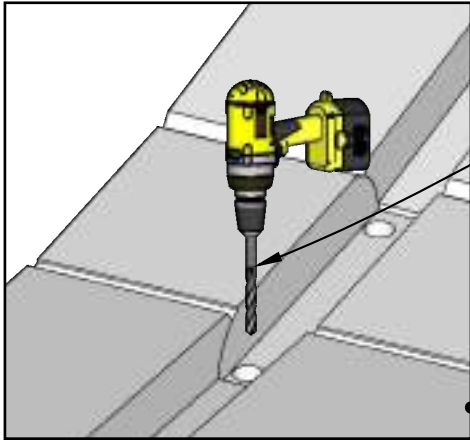


II

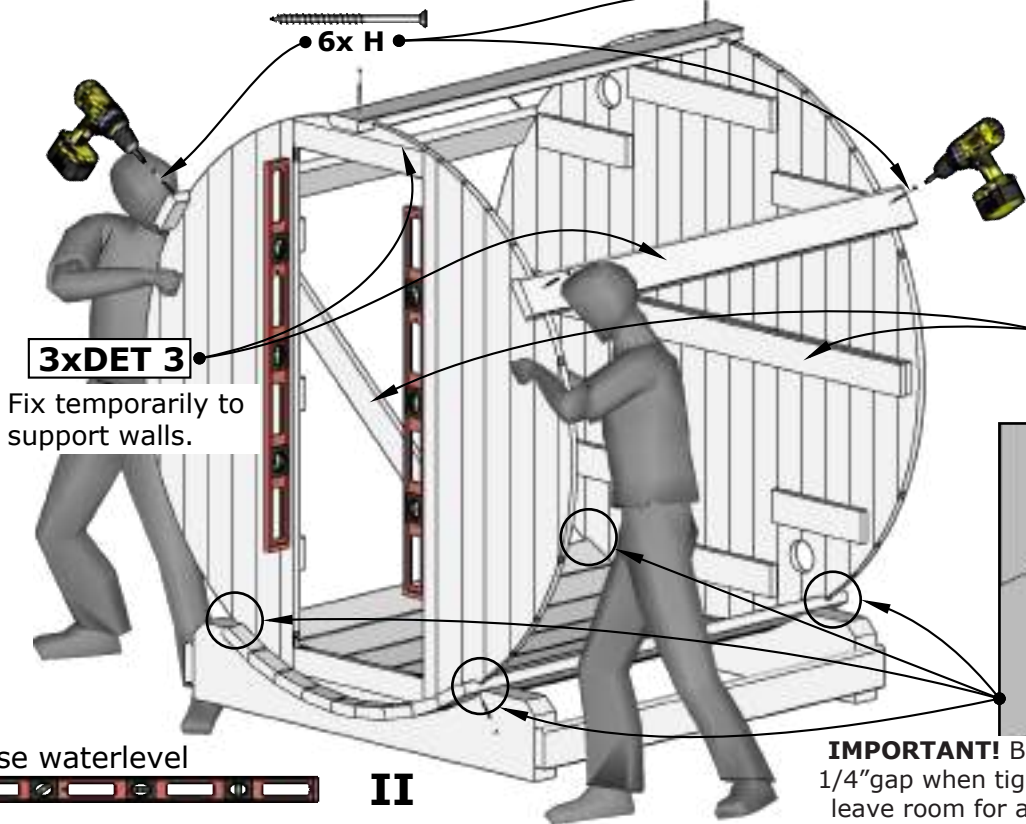


# E6W Barrel Sauna 59D" x 81H"

Drill 4 holes  $\varnothing 1/2"$   
through DET 2  
outside



**I**



6x H

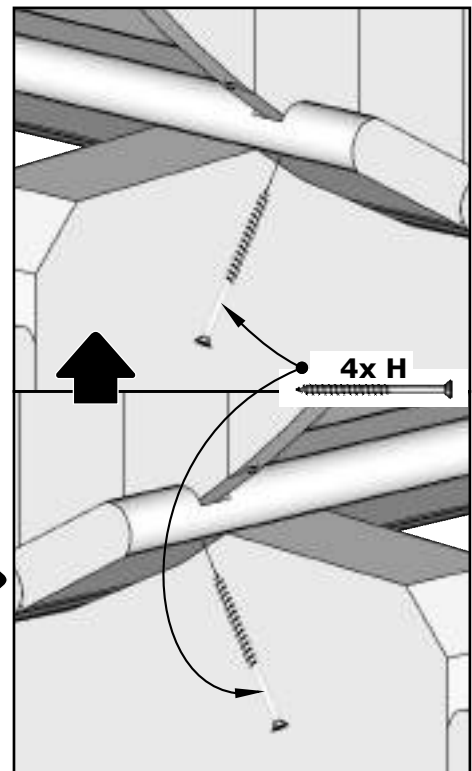
**3xDET 3**

Fix temporarily to support walls.

Check walls installation manual on extra pages!

Sauna wall configuration depends on Your model!

Brackets inside



4x H

$\sim 1/4"$

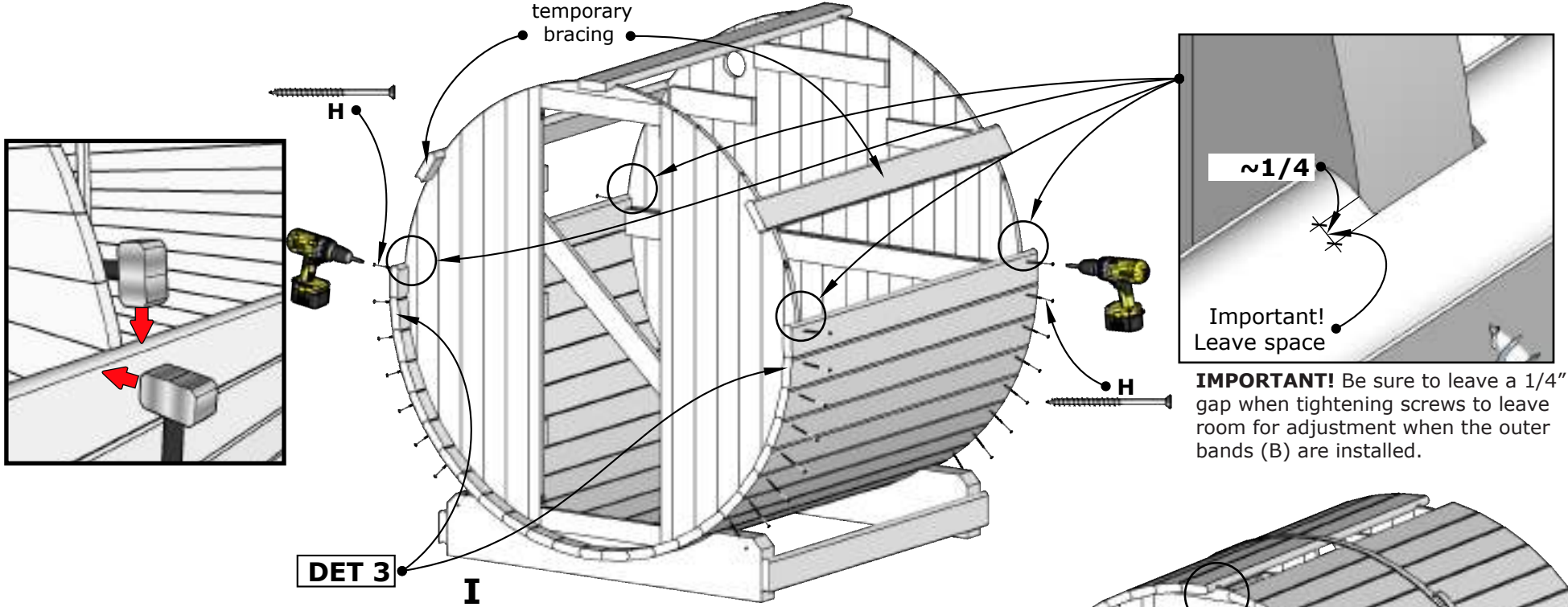
**IMPORTANT!** Be sure to leave a 1/4" gap when tightening screws to leave room for adjustment when the outer bands (B) are installed.



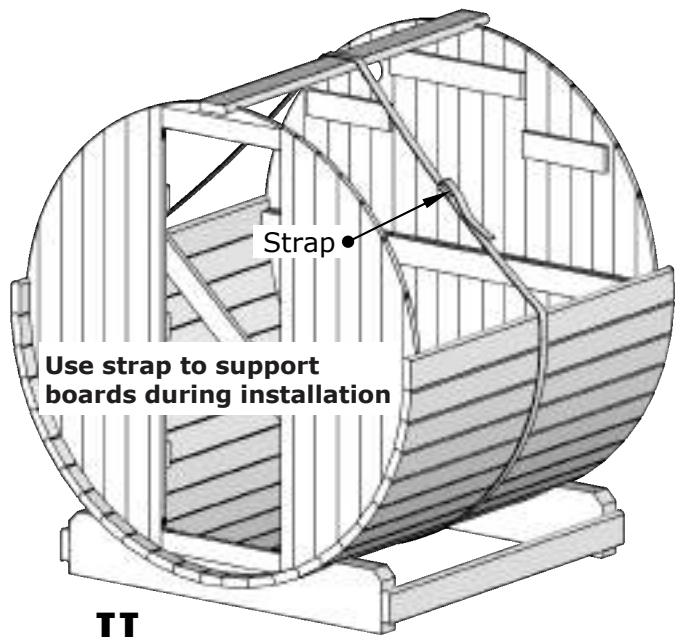
**II**

# E6W Barrel Sauna 59D" x 81H"

Remove temporary bracing

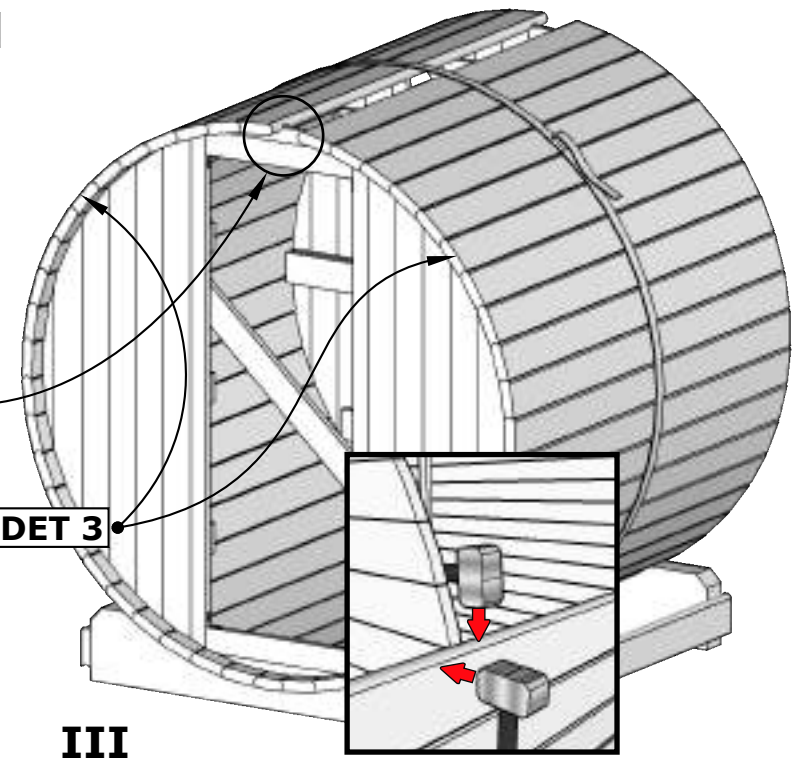
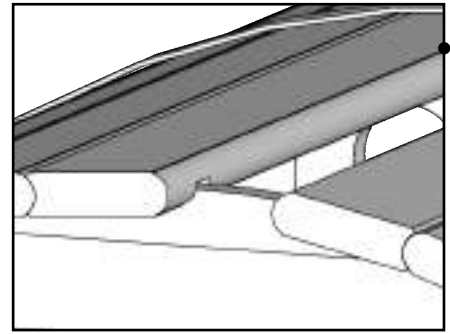


DET 3 I



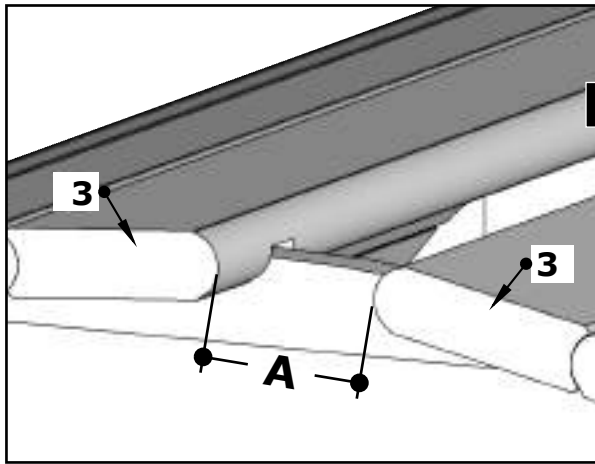
5. II

See the next page.

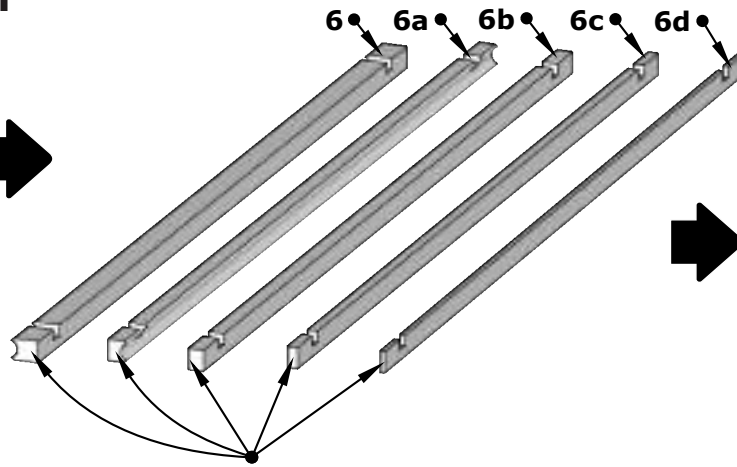


III

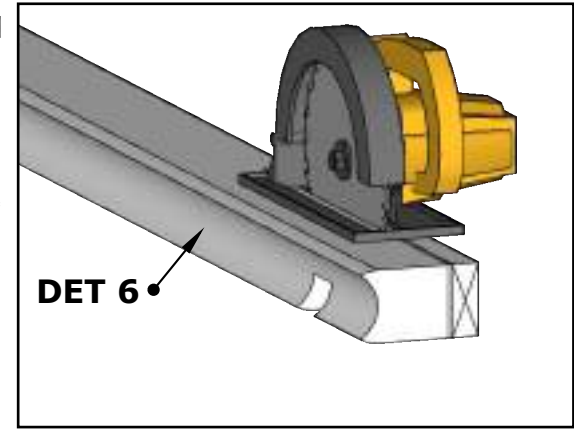
# E6W Barrel Sauna 59D" x 81H"



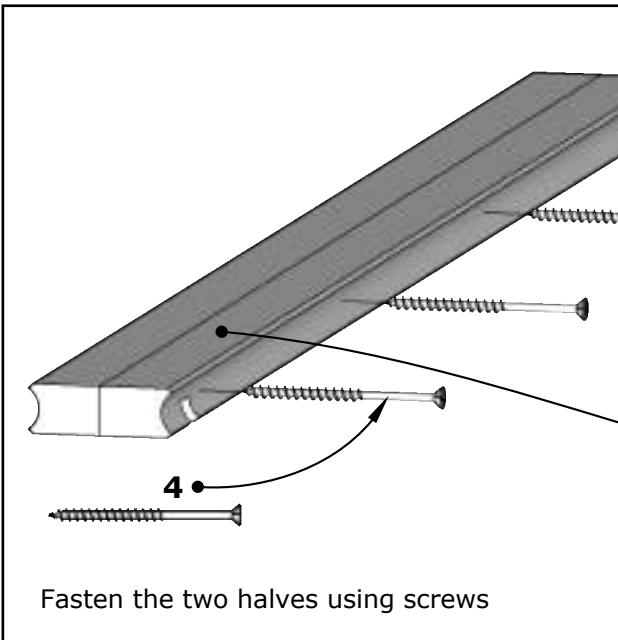
**I**



Join two boards together (as shown in diagram II) that will bridge the width of the "A" gap. It is recommended that the combined boards are approximately 1/4" wider than the gap.

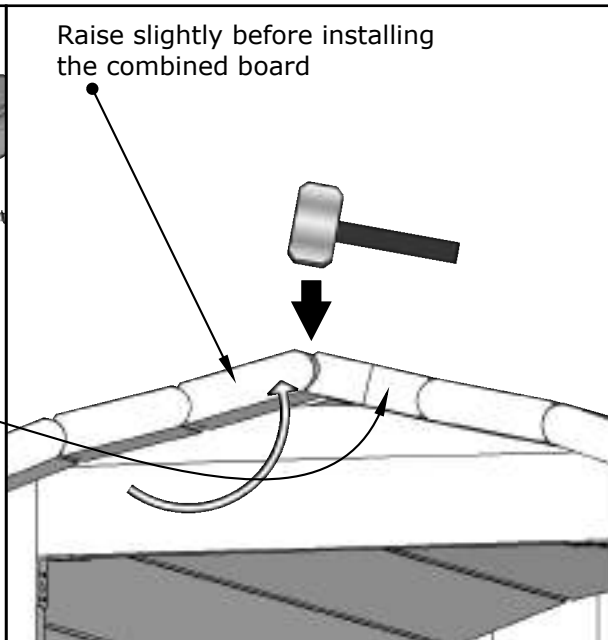


If needed, trim the flat edge of the board to create the desired width.

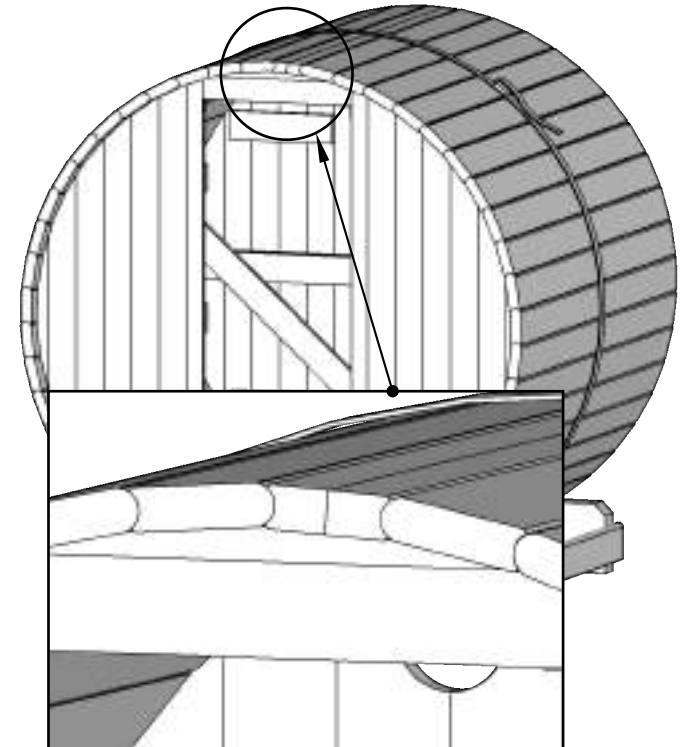


Fasten the two halves using screws

**II**

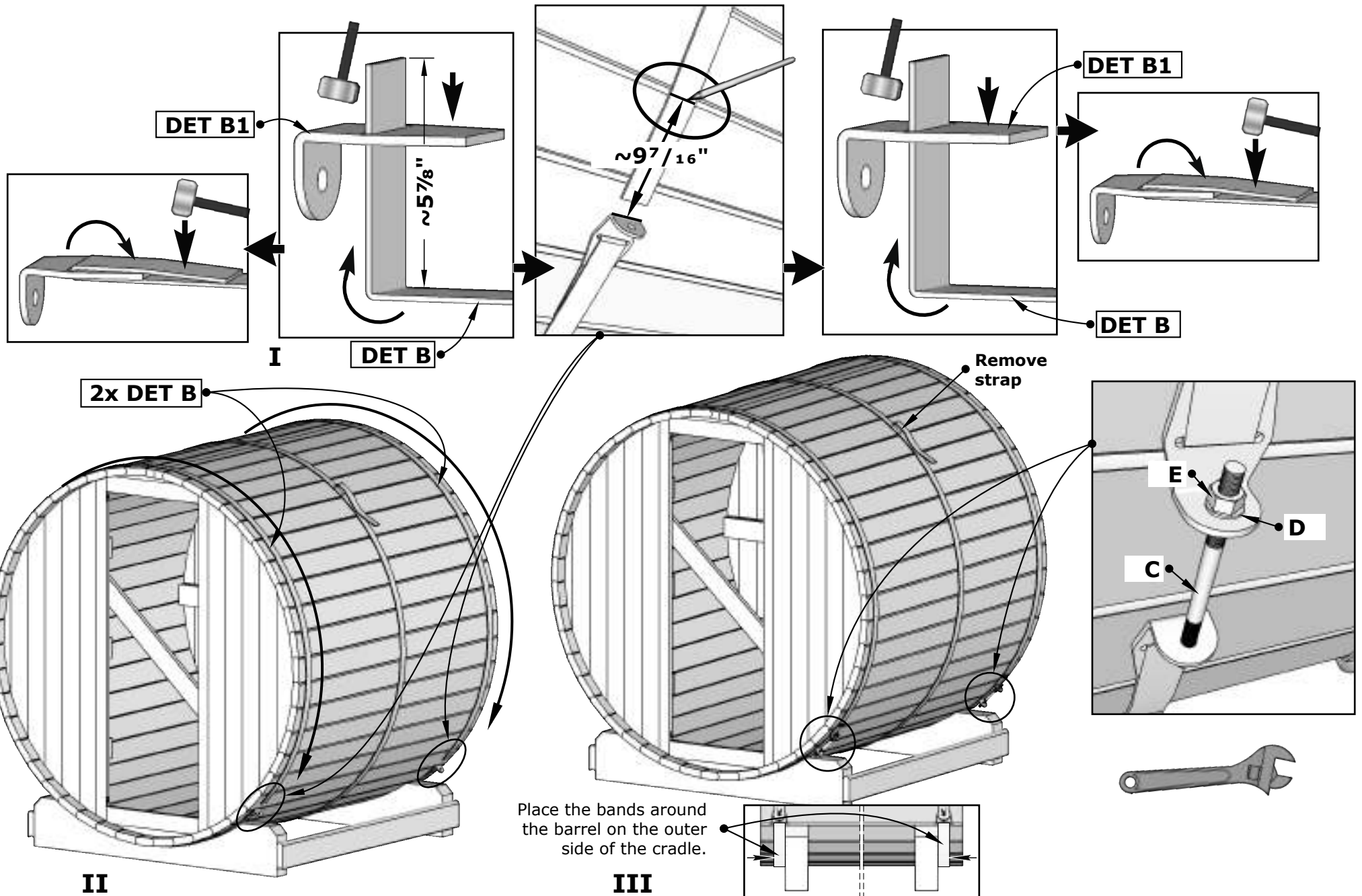


Raise slightly before installing the combined board



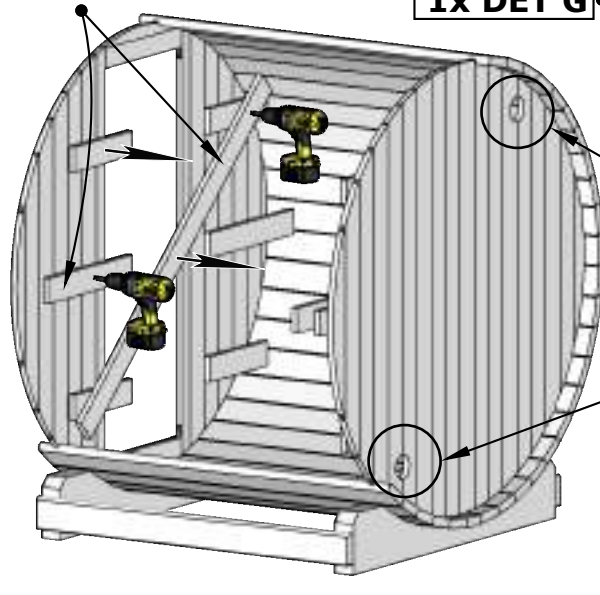
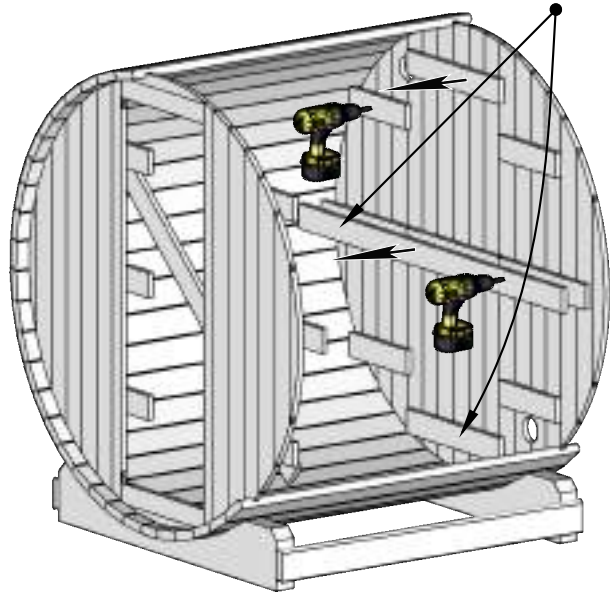
**III**

# E6W Barrel Sauna 59D" x 81H"



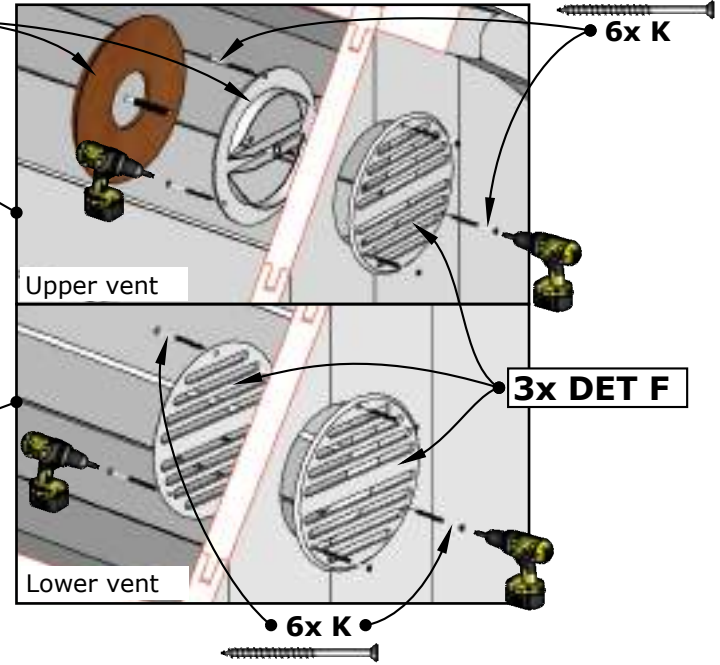
# E6W Barrel Sauna 59D" x 81H"

Remove all temporary braces



1x DET G

6x K



Upper vent

3x DET F

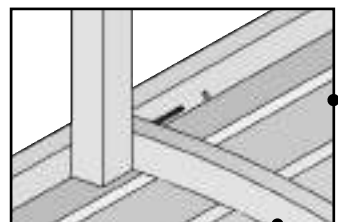
Lower vent

6x K

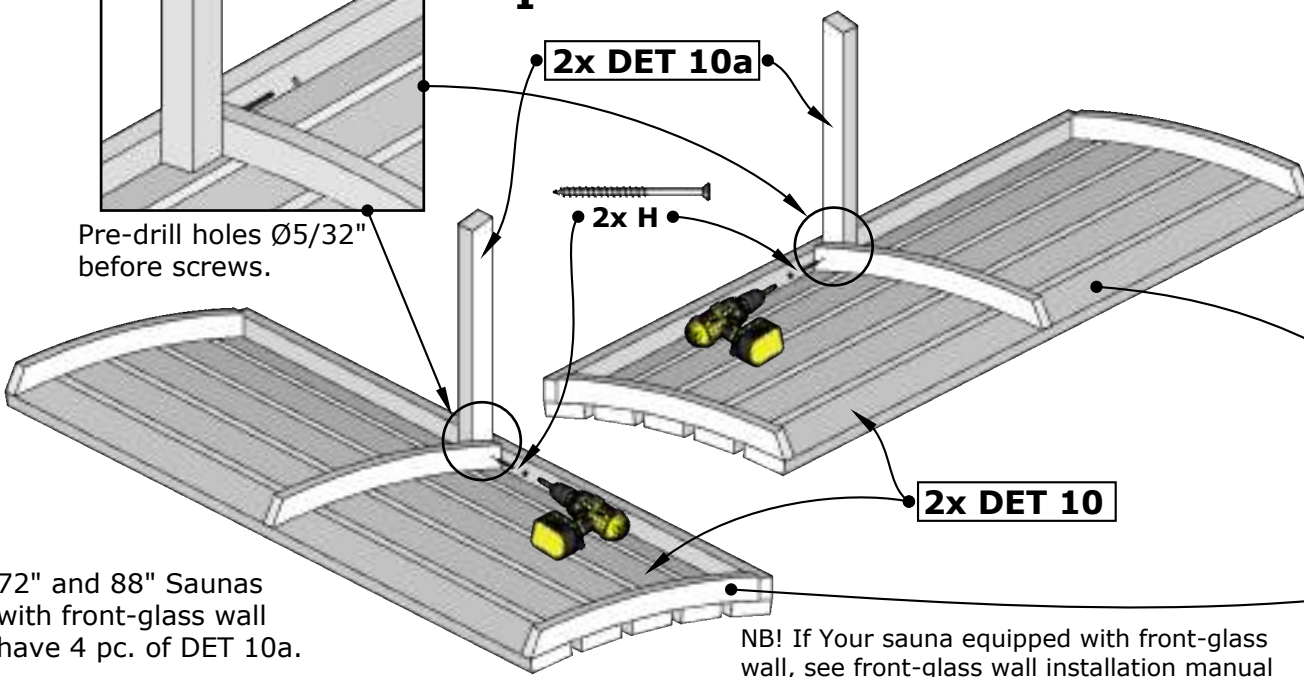
I

2x DET 10a

2x H



Pre-drill holes Ø5/32" before screws.



2x DET 10

72" and 88" Saunas with front-glass wall have 4 pc. of DET 10a.

NB! If Your sauna equipped with front-glass wall, see front-glass wall installation manual for proper benches installation.

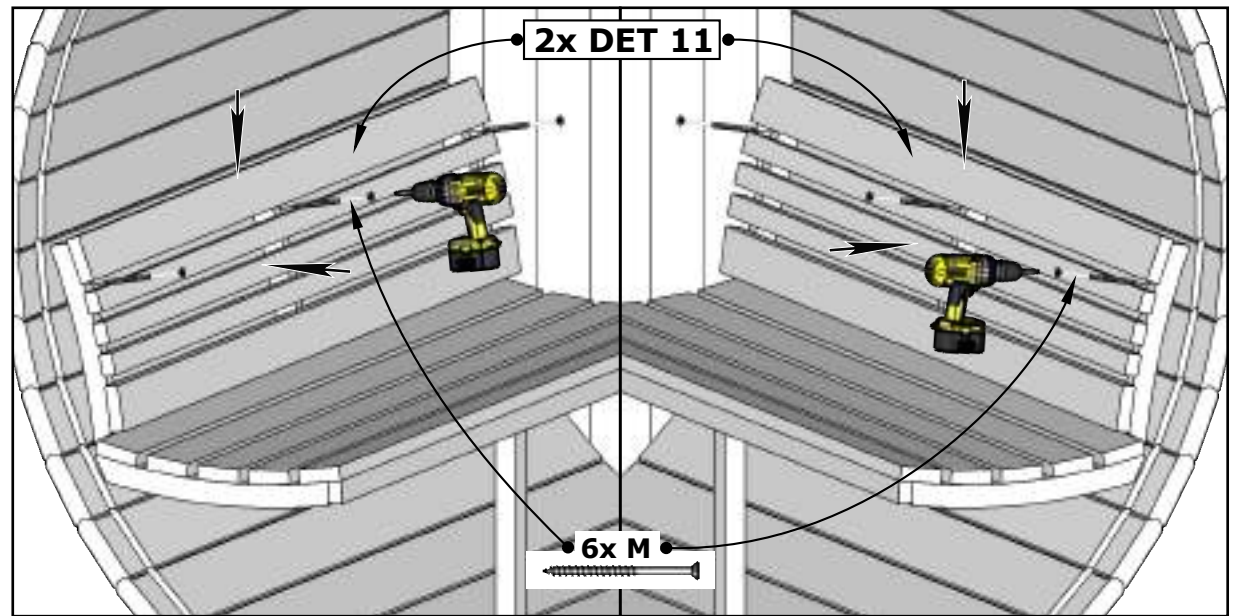
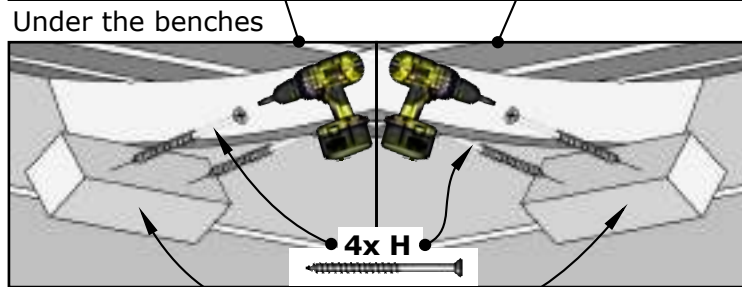
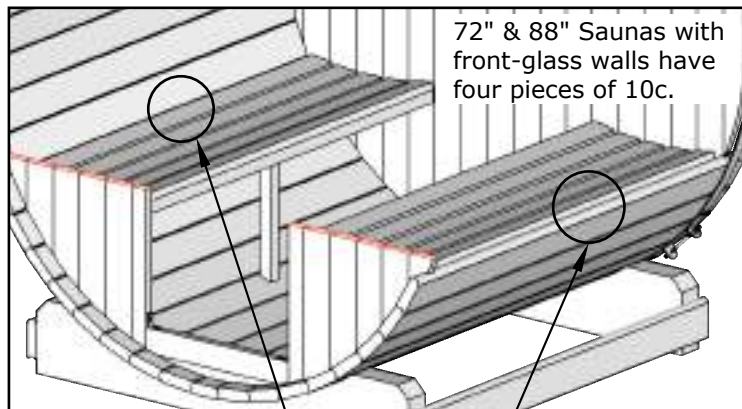
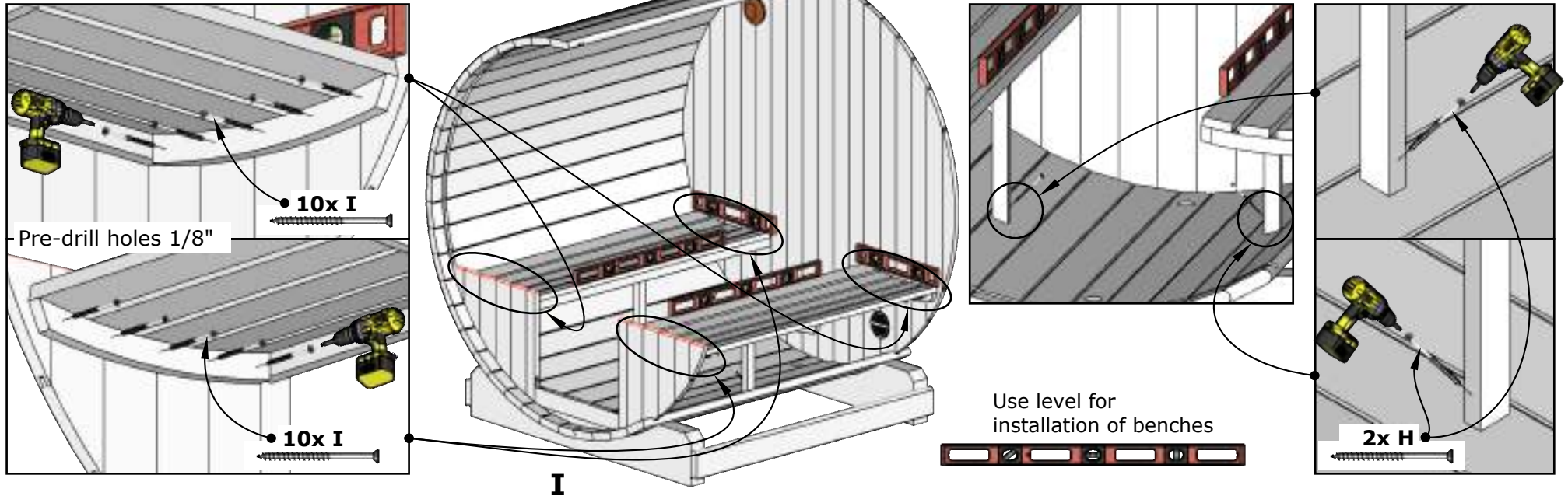


III

8.

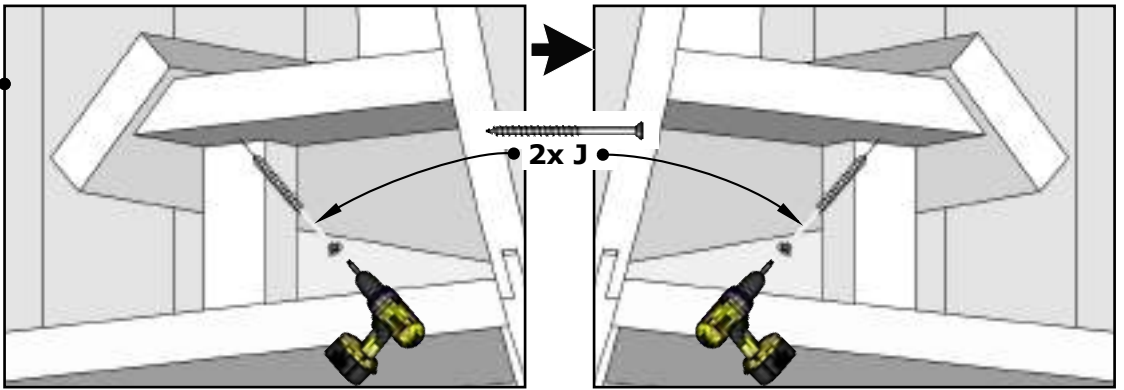
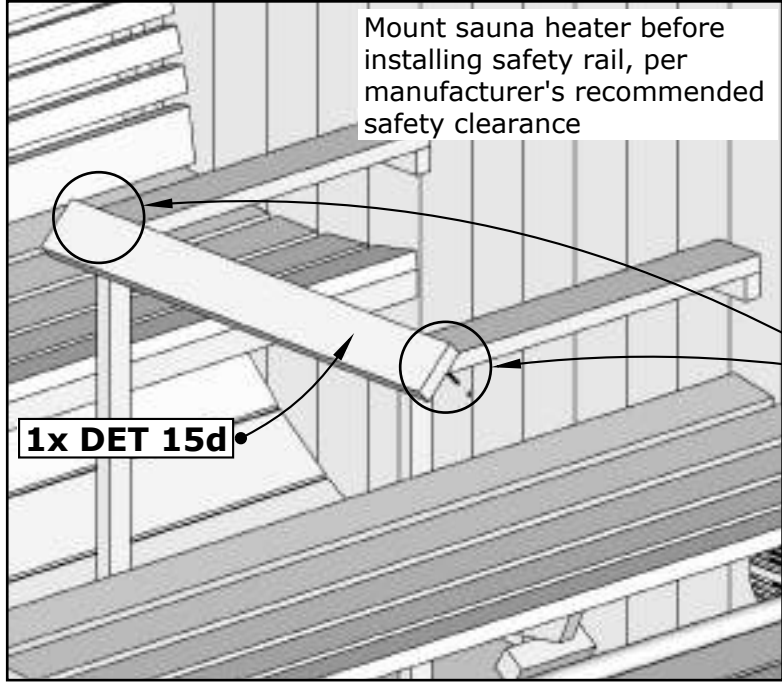
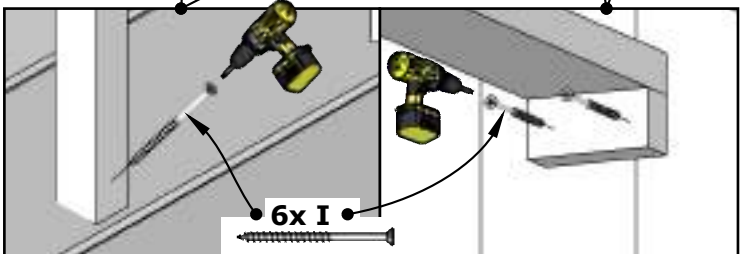
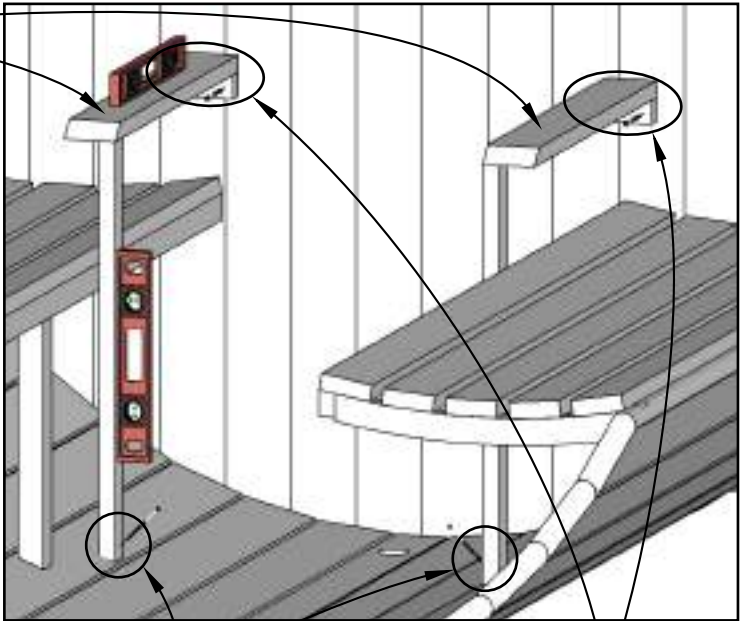
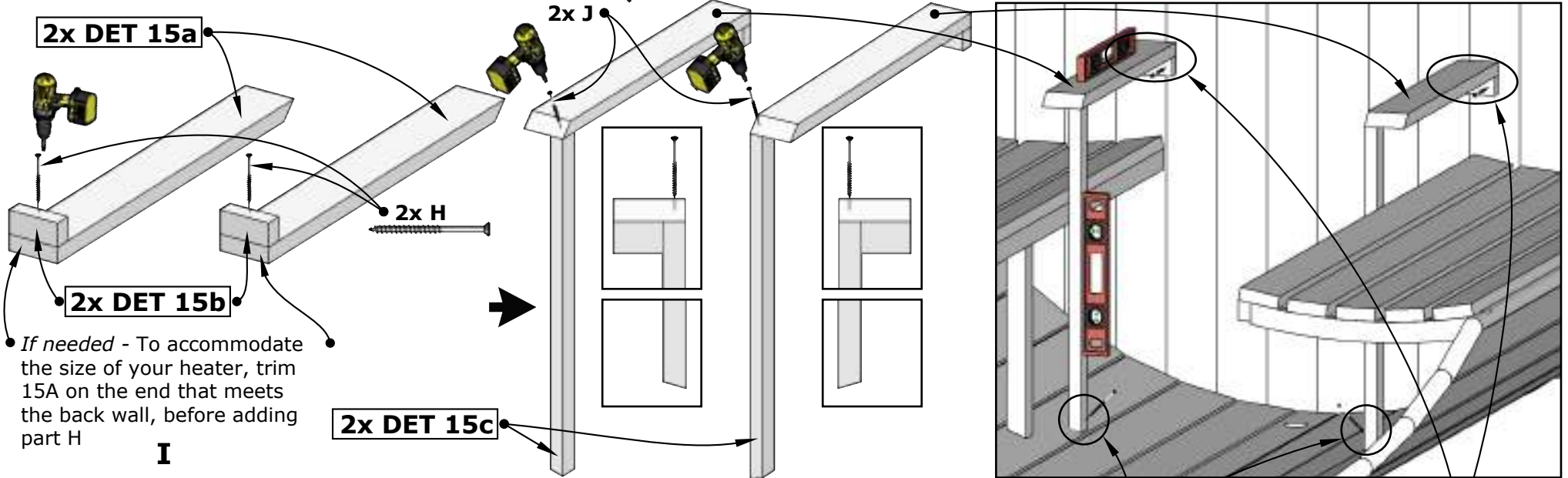
II

# E6W Barrel Sauna 59D" x 81H"



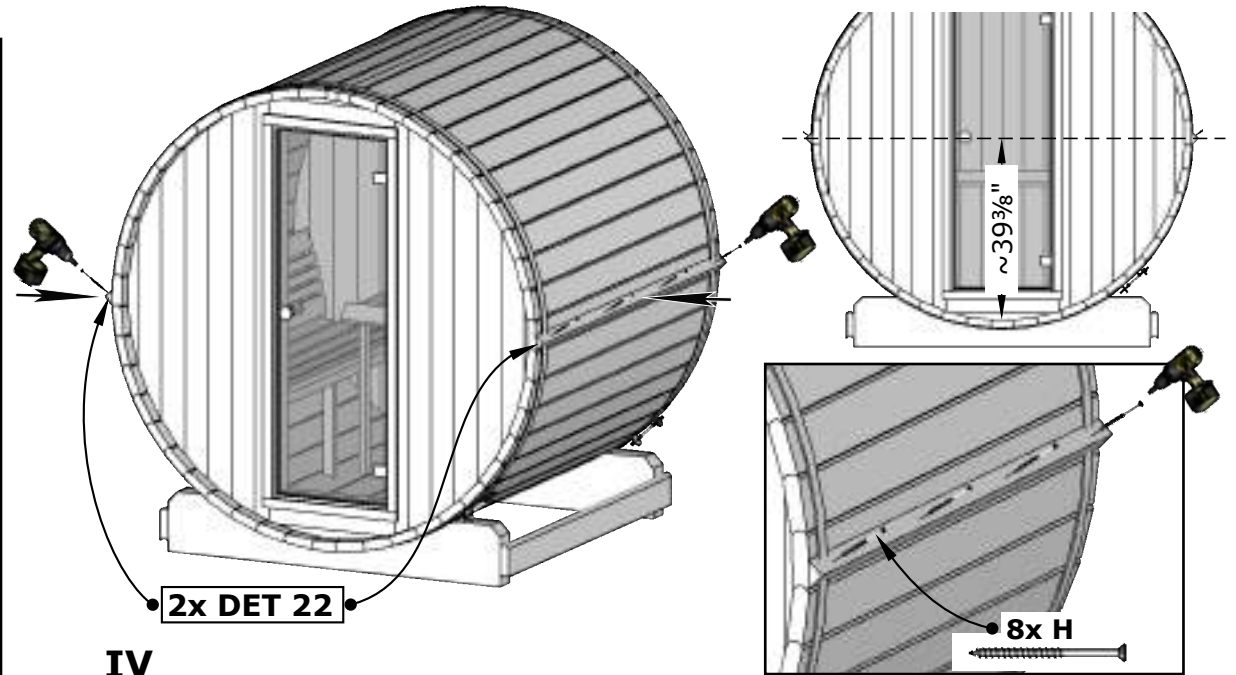
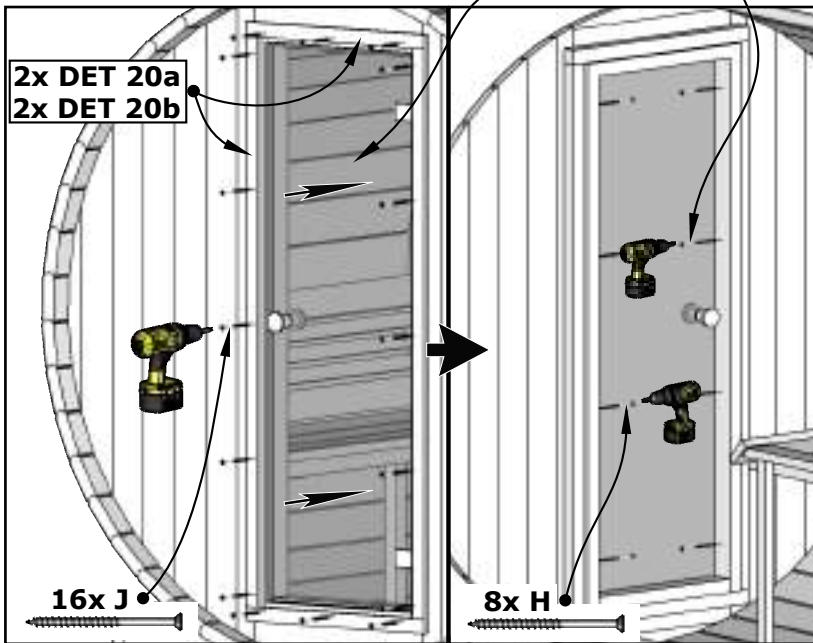
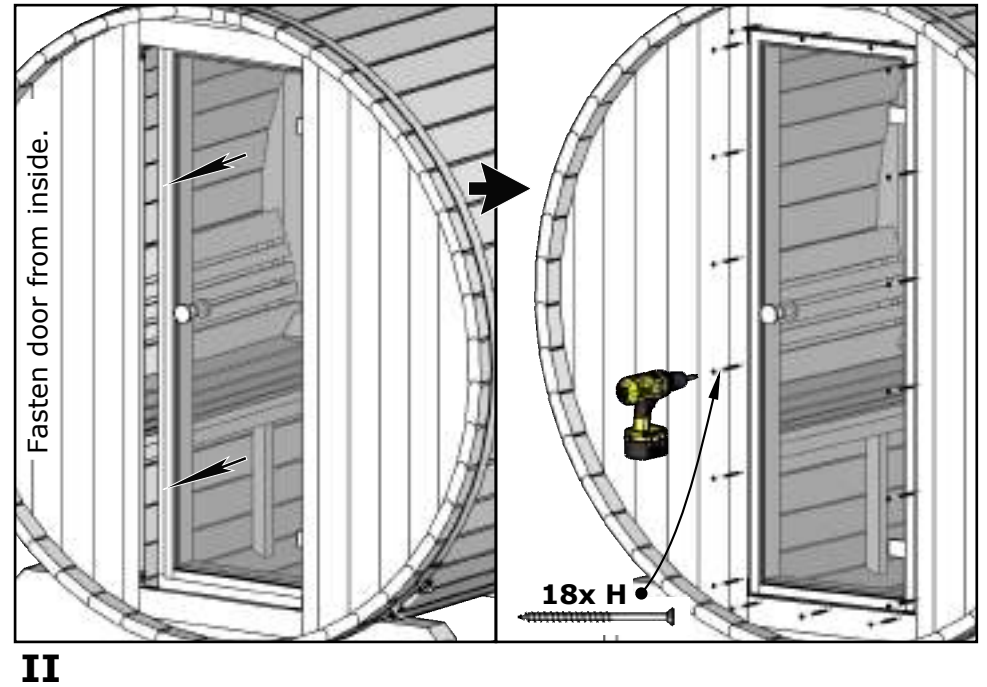
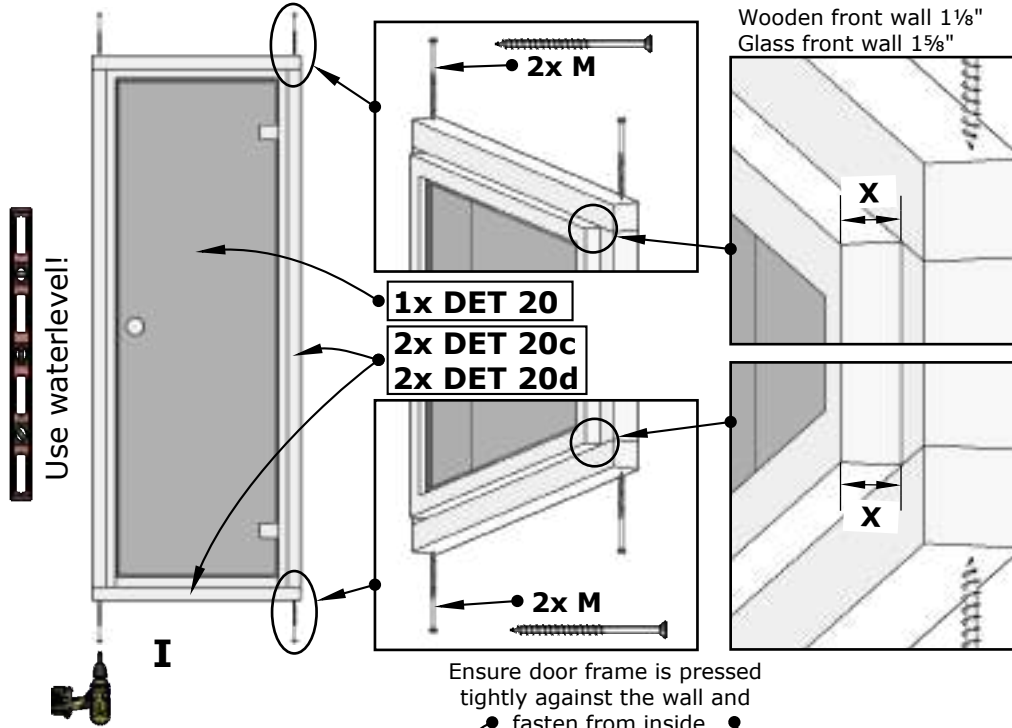


# E6W Barrel Sauna 59D" x 81H"



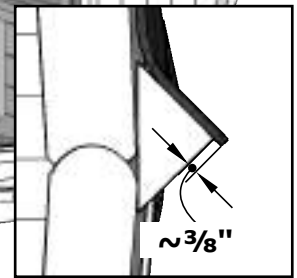
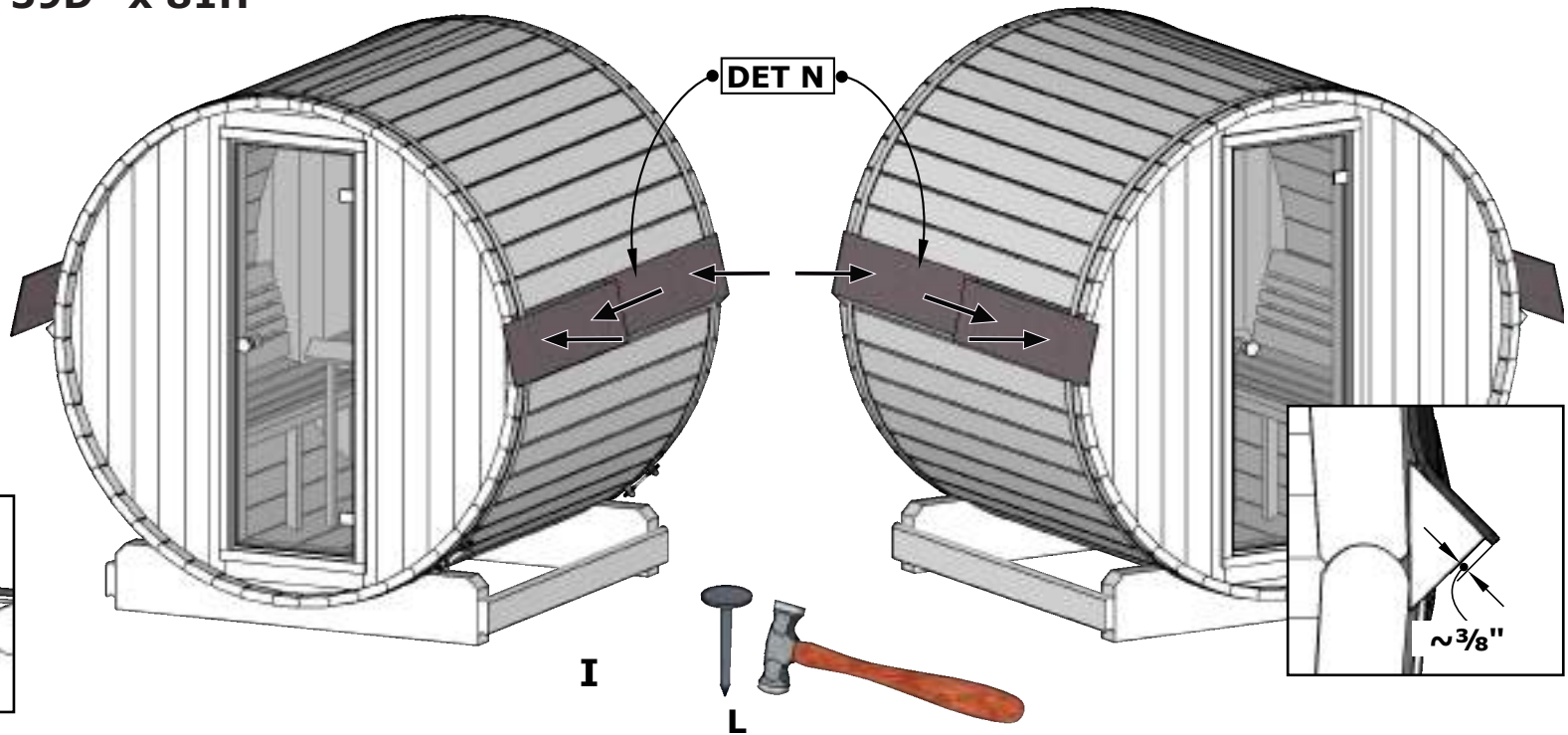
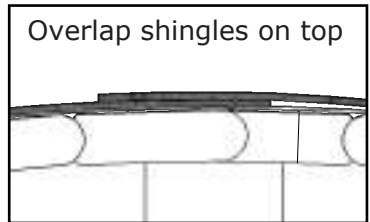
# E6W Barrel Sauna 59D" x 81H"

X= Front wall thickness  
 Wooden front wall 1 1/8"  
 Glass front wall 1 1/8"

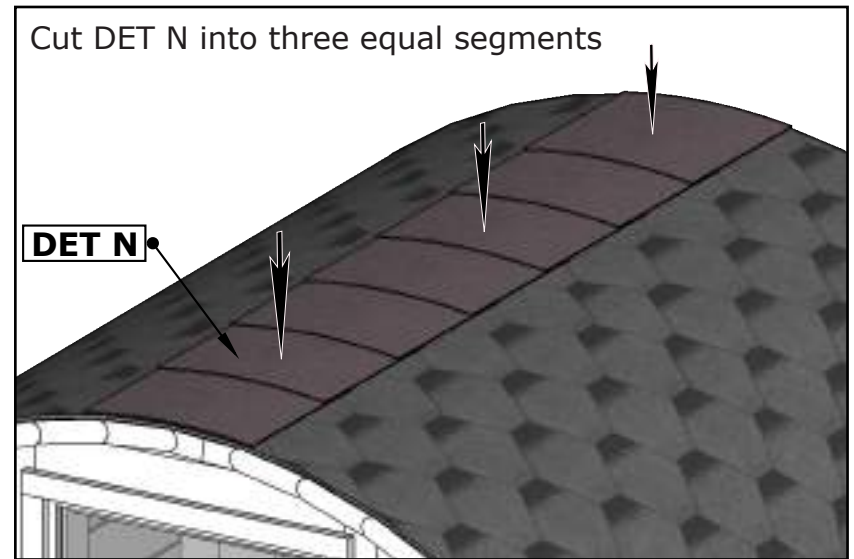
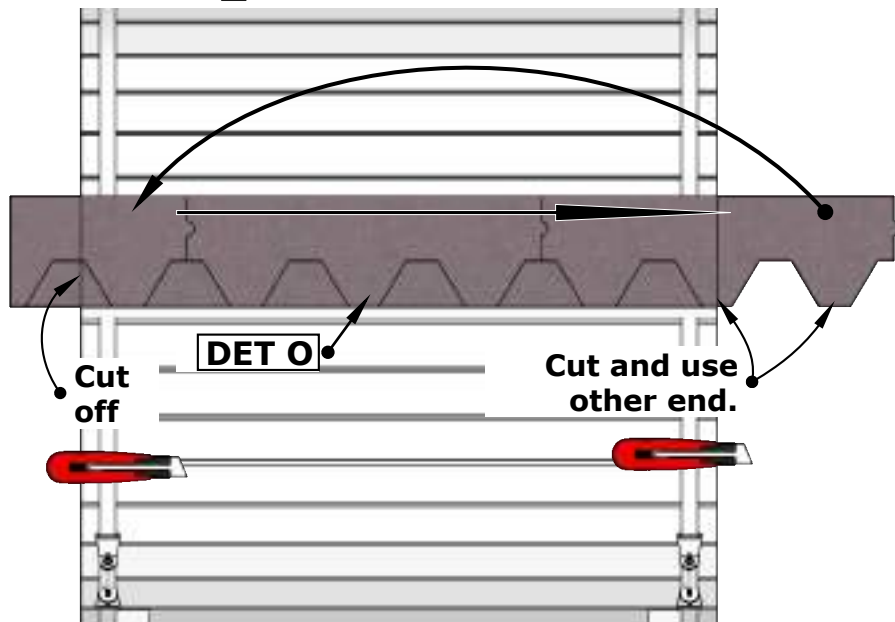


# E6W Barrel Sauna 59D" x 81H"

See the installation manual inside the shingles package



Check also roof shingles installation manual inside package.



# E6W Barrel Sauna 59D" x 81H"

