



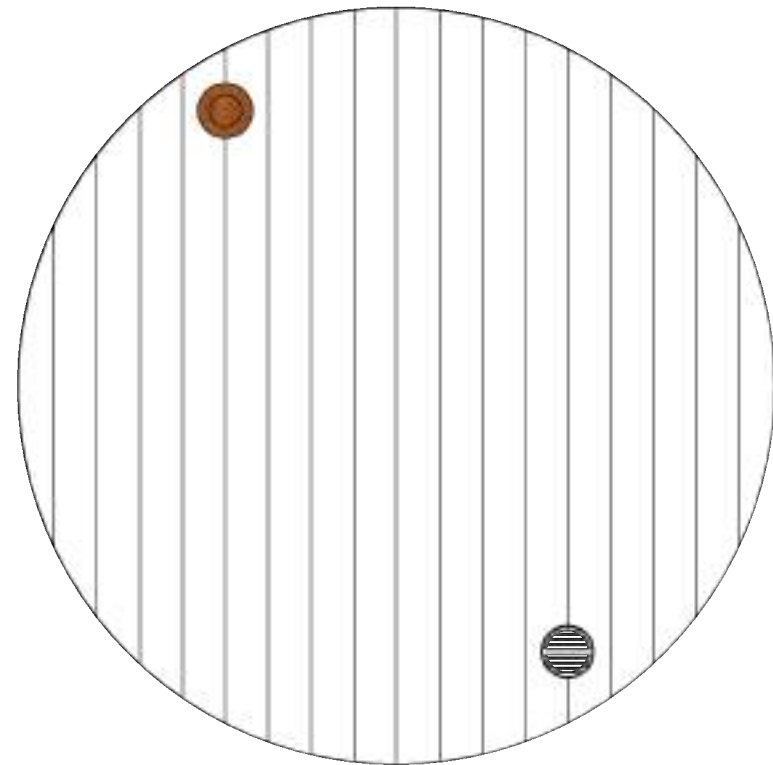
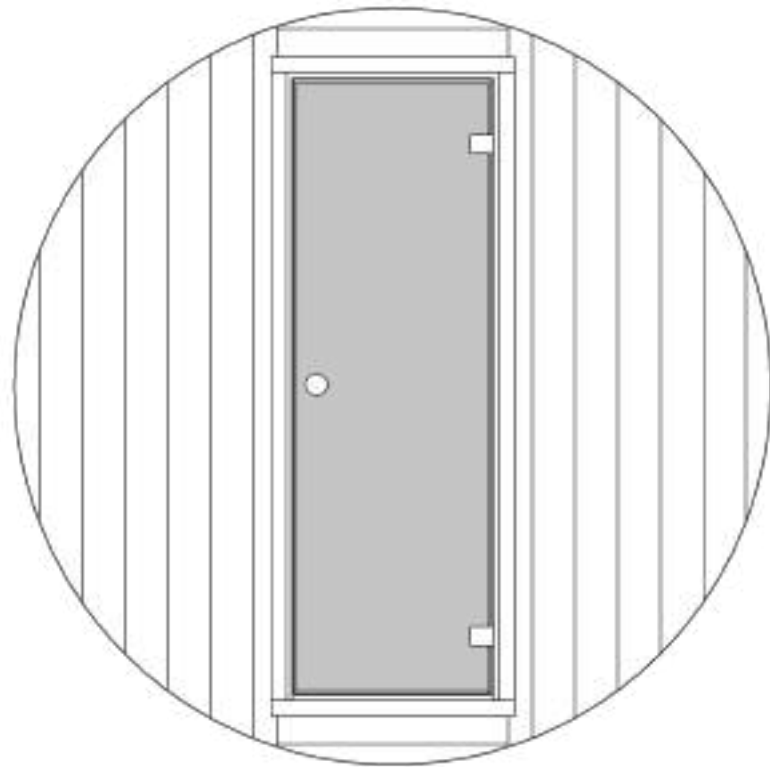
Ergo-Series E6 Barrel Sauna  
59D" x 81H"



**Note: Please read manual before construction**

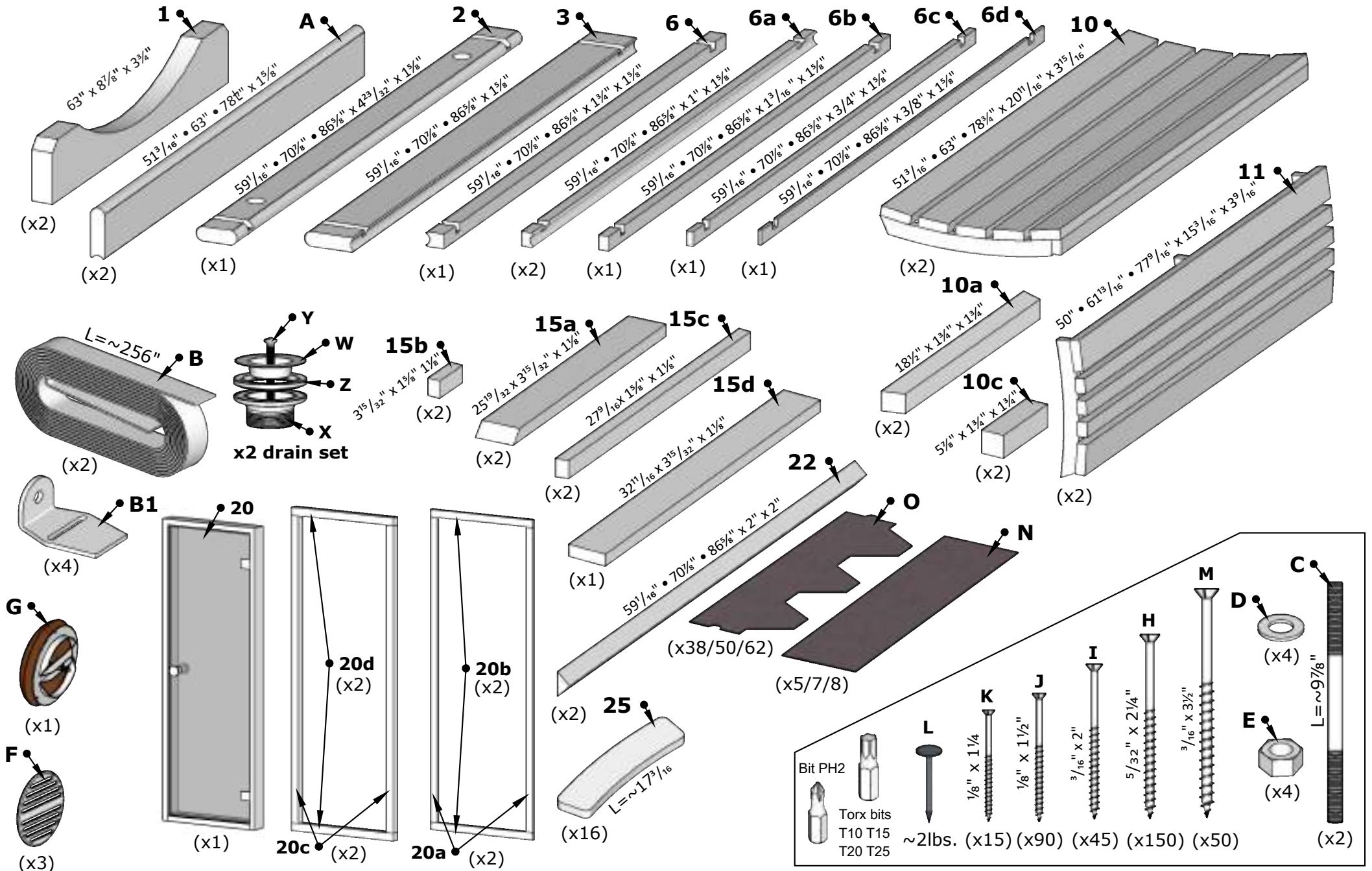
Rev 4/2023

# Front & Back Walls



# E6 Barrel Sauna 59D" x 81H"

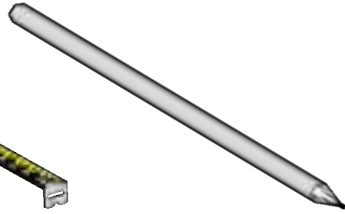
## Details list.



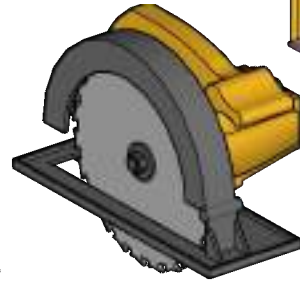
# Tools needed



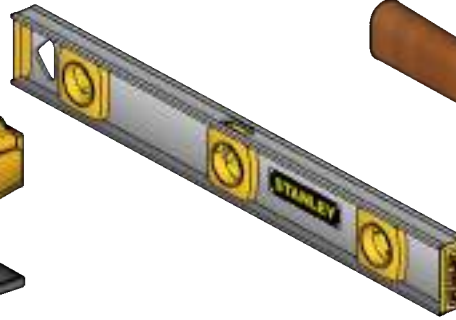
Measuring tape



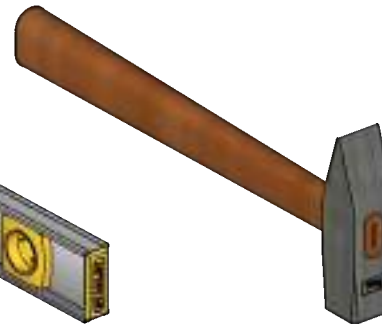
Marker pen



Circular saw



Water level



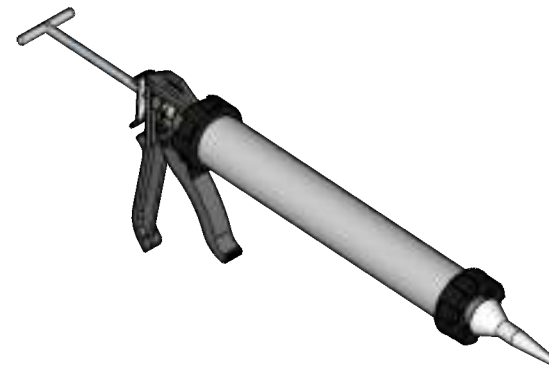
Hammer



Extra hands



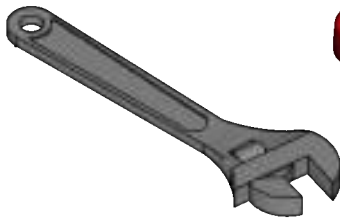
Ratchet strap



Silicone gun  
(Only glass-wall models)



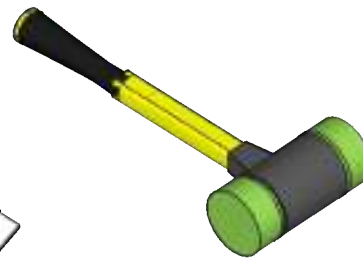
Drill



Crescent wrench



Utility knife

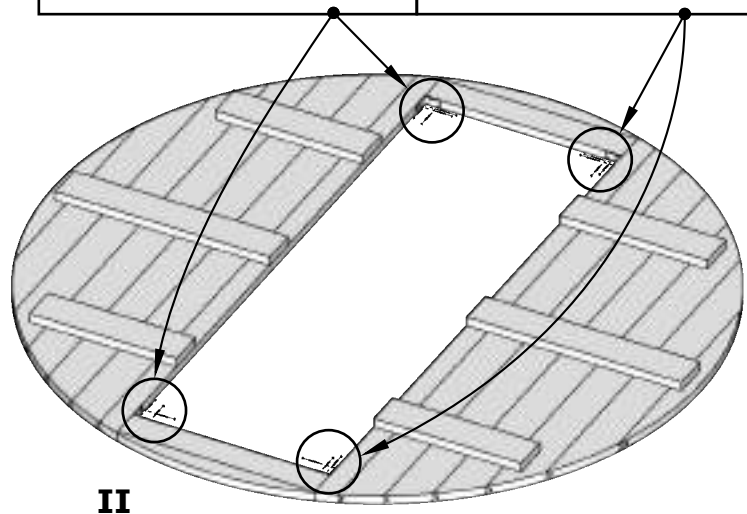
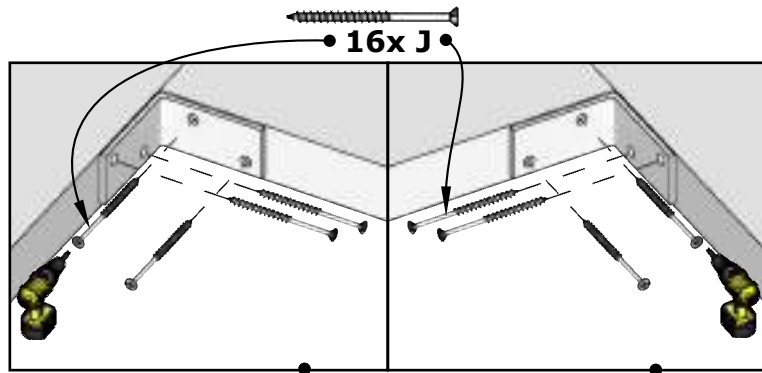
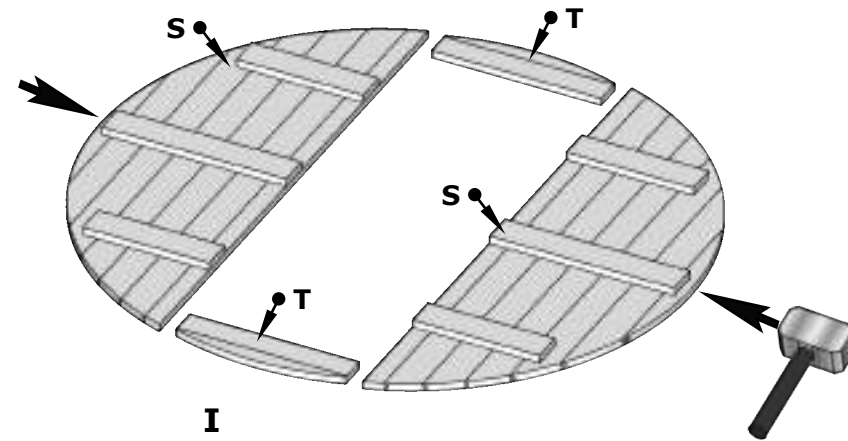
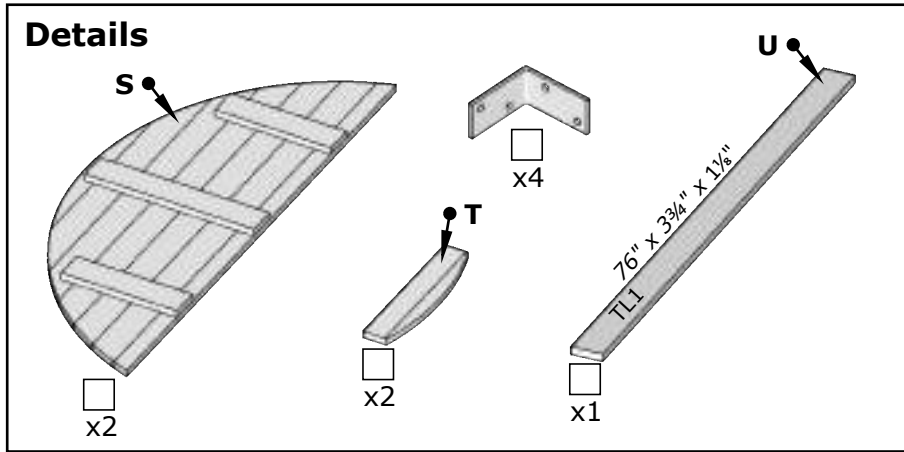


Rubber mallet

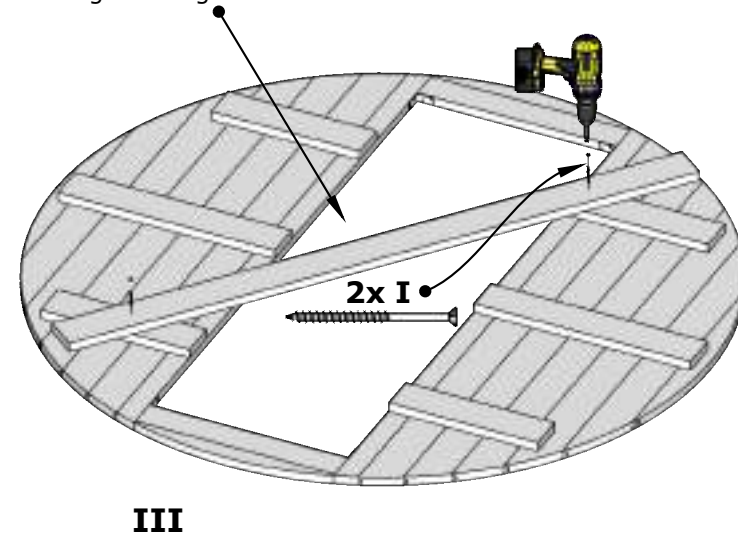


# Wooden front wall installation

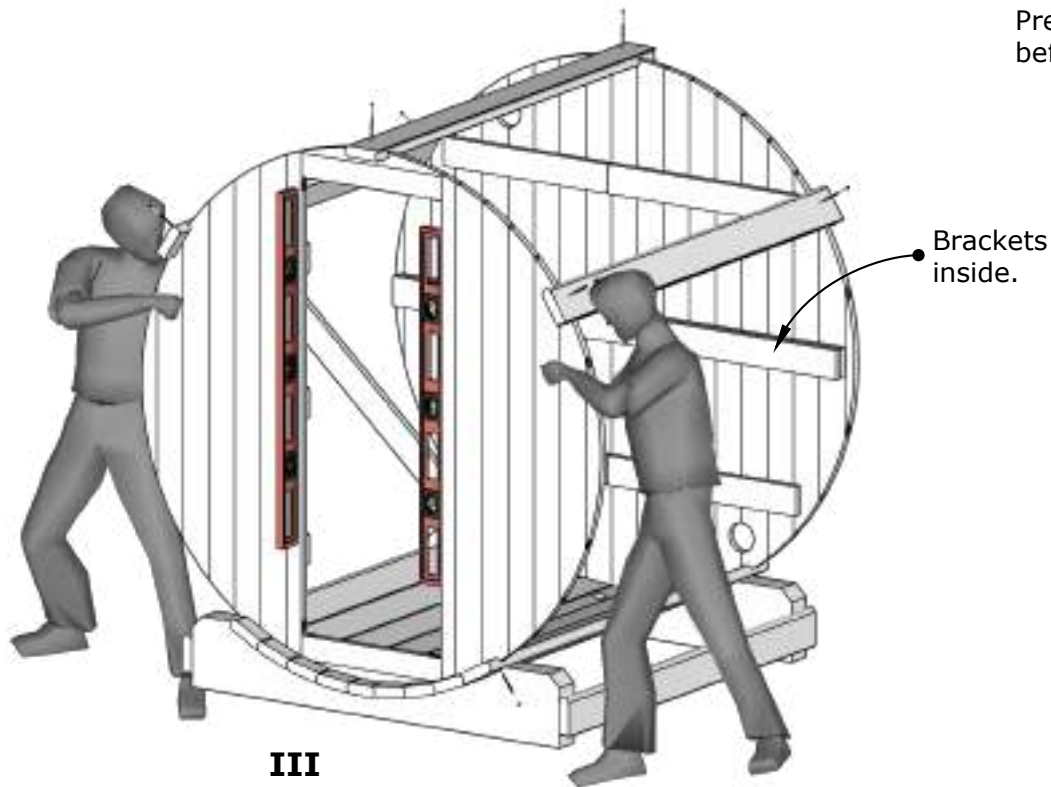
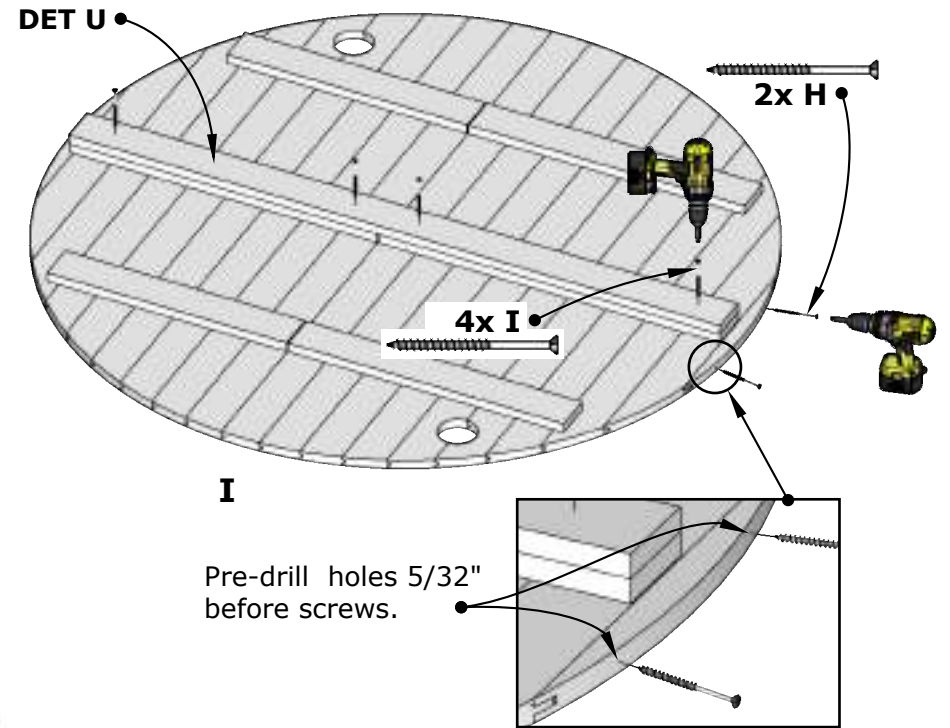
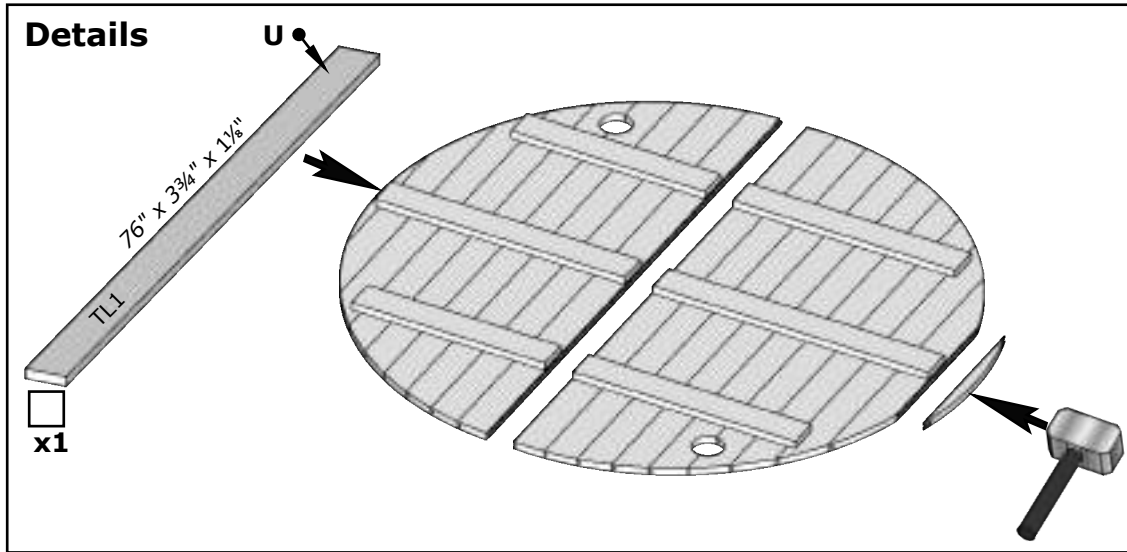
## Details



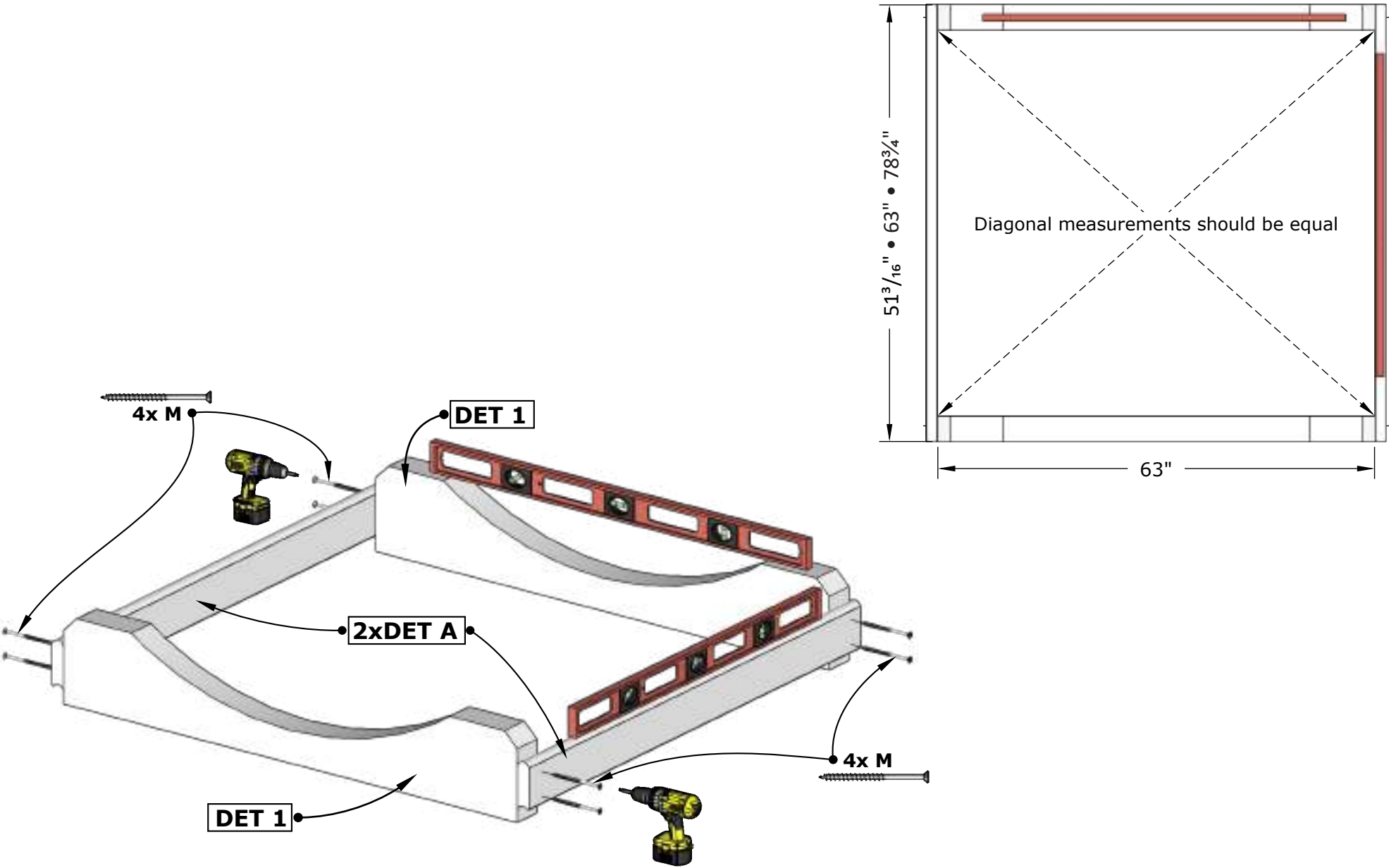
**DET U** Fix it diagonally to make wall more rigid during the installation.



# Wooden back wall installation

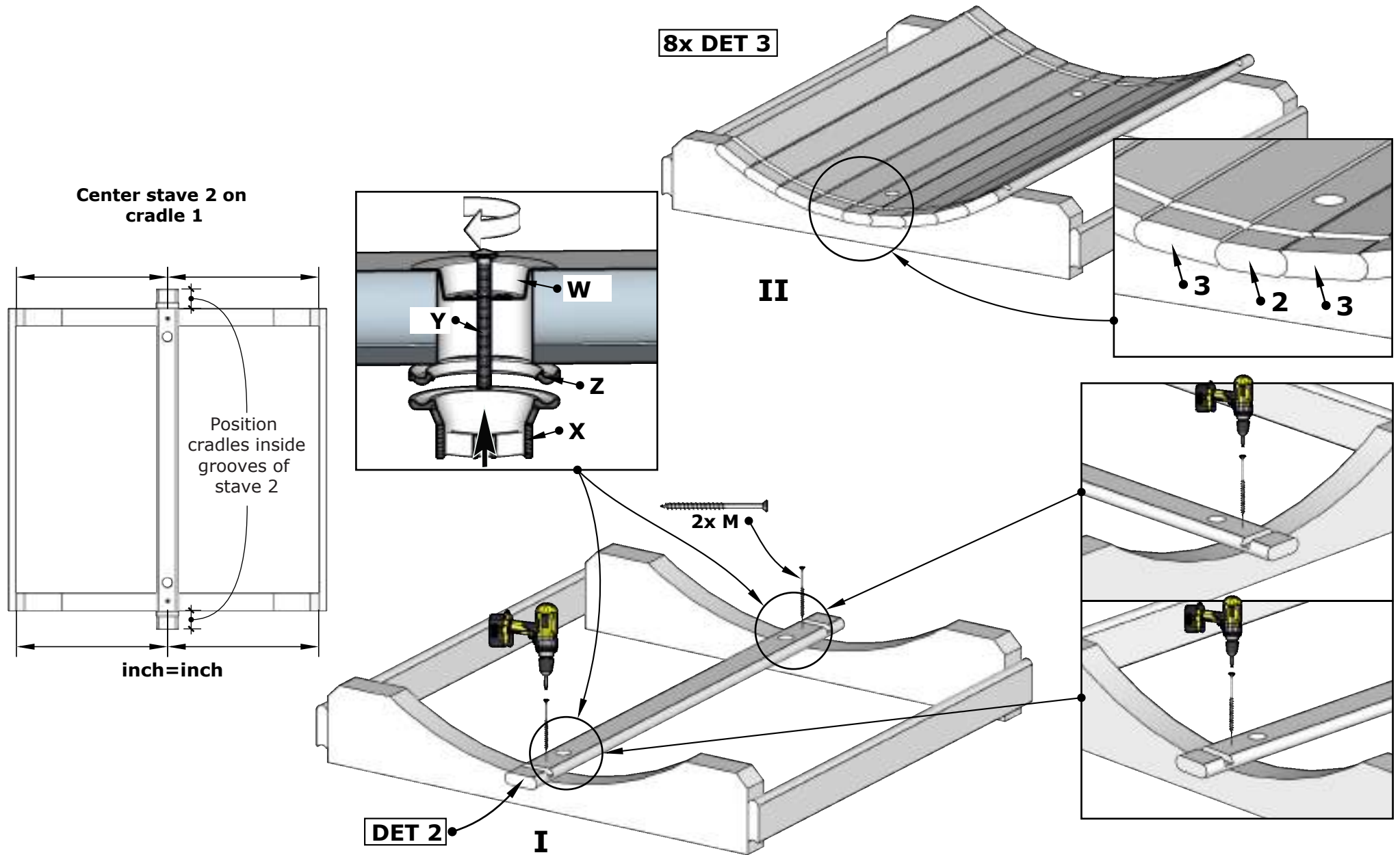


# E6 Barrel Sauna 59D" x 81H"



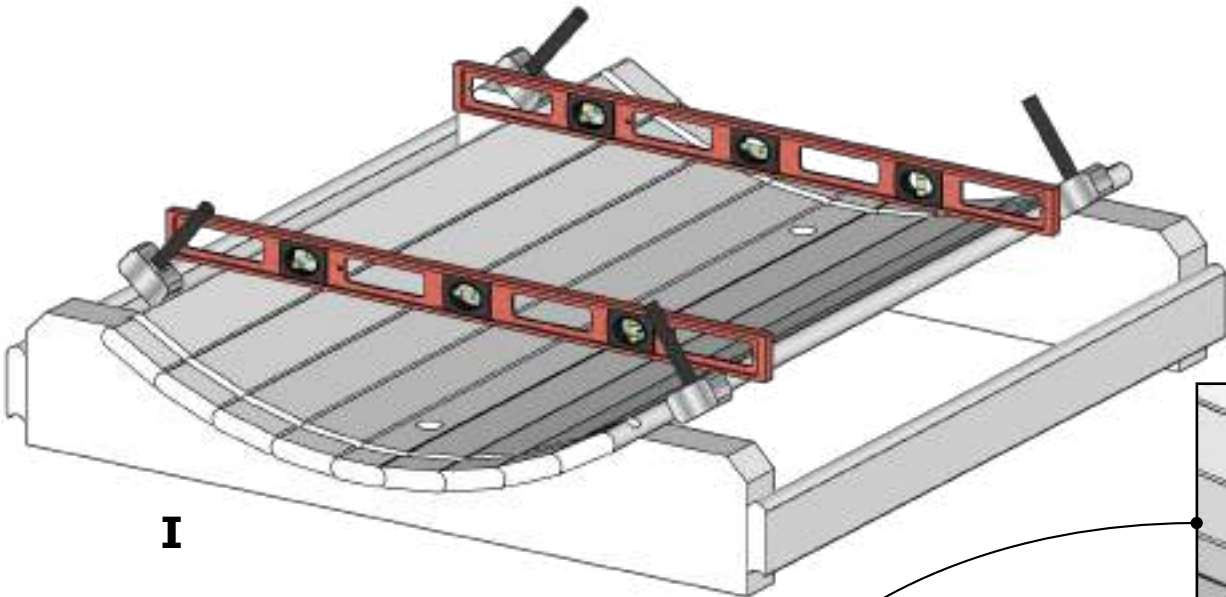
1.

# E6 Barrel Sauna 59D" x 81H"

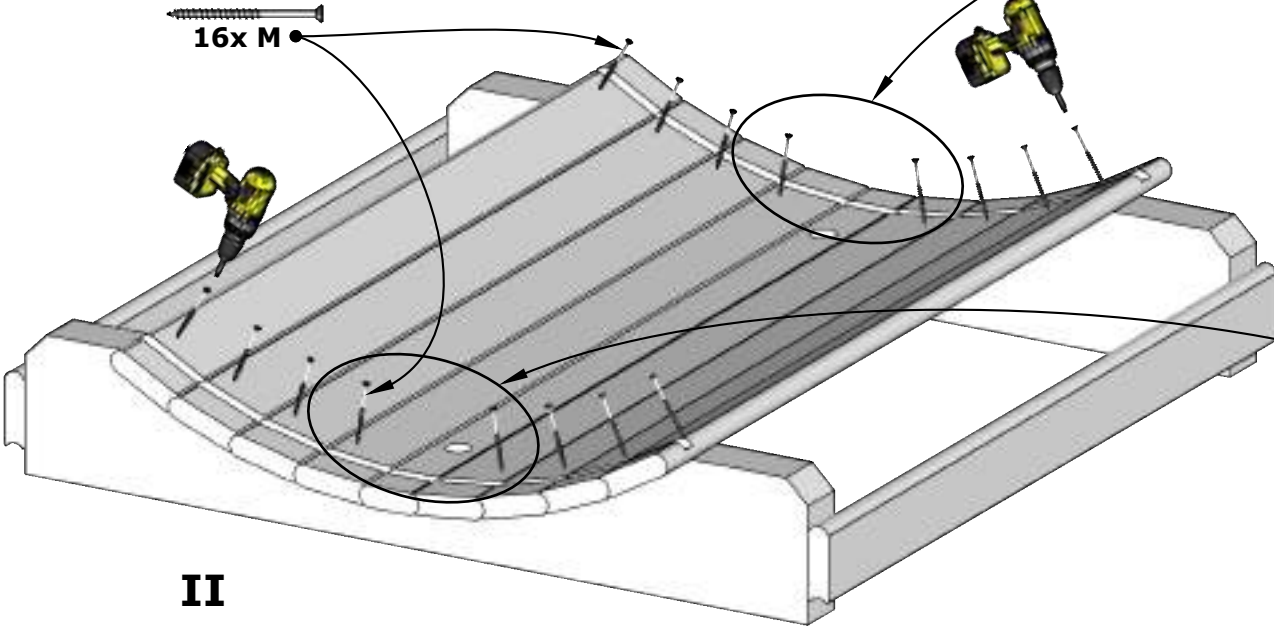




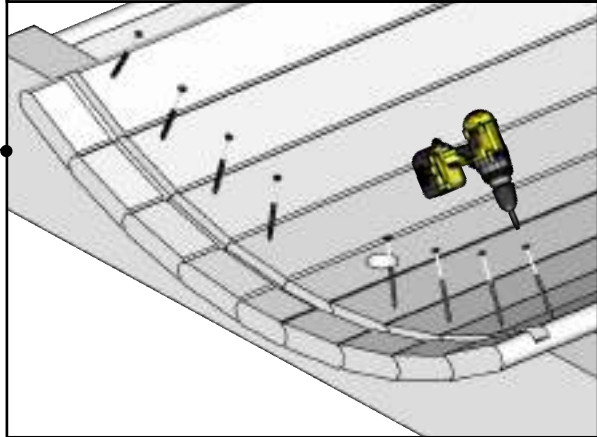
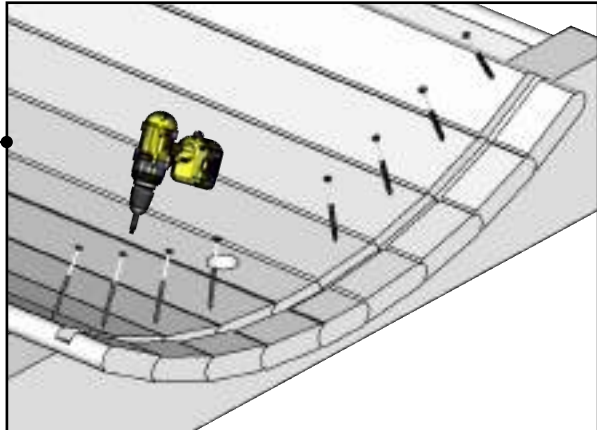
# E6 Barrel Sauna 59D" x 81H"



I

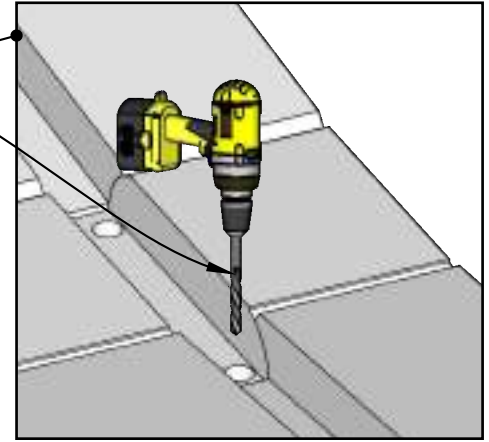
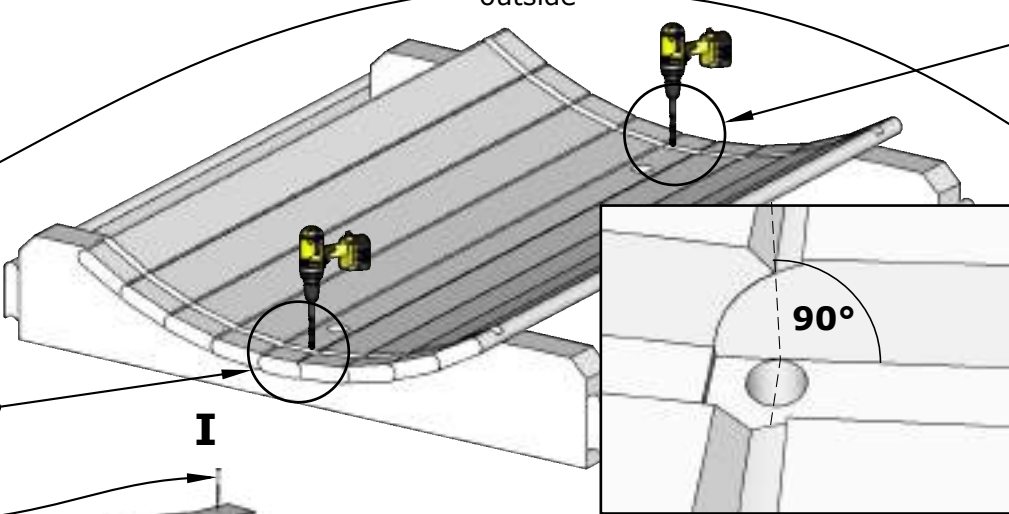
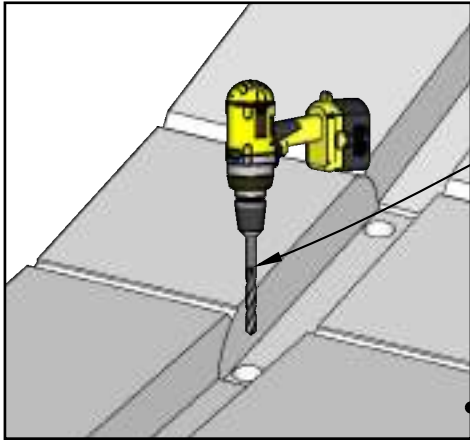


II



# E6 Barrel Sauna 59D" x 81H"

Drill 4 holes  $\varnothing 1/2"$   
through DET 2  
outside



I

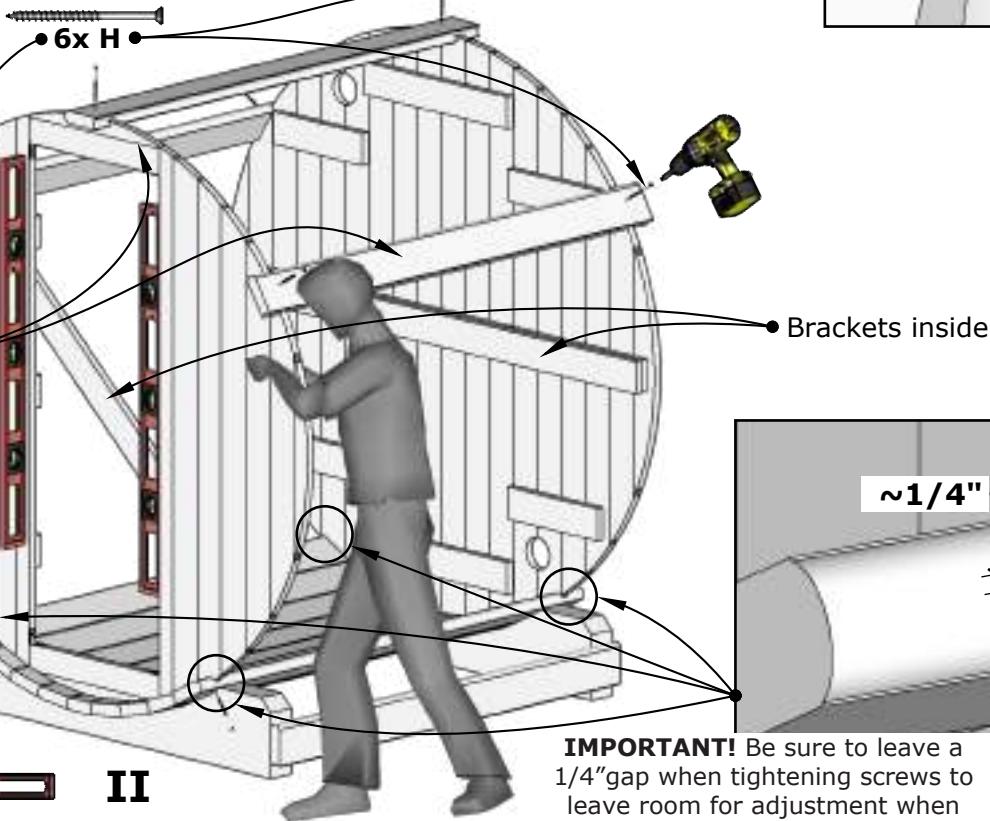
6x H

3xDET 3  
Fix temporarily to support walls.

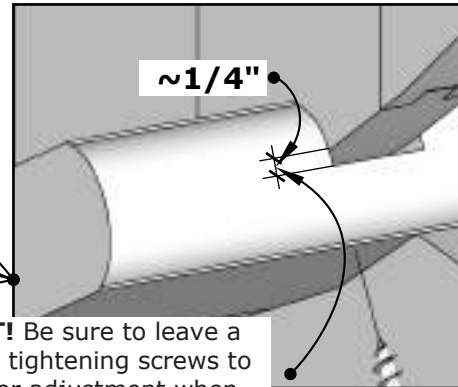


II

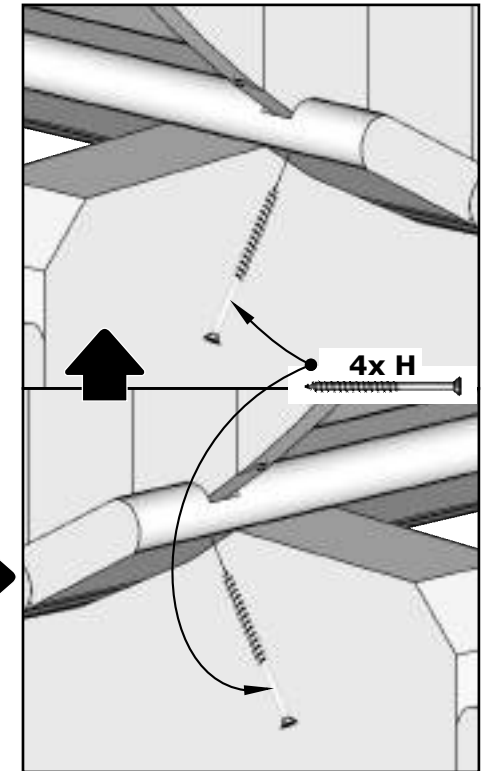
Use waterlevel



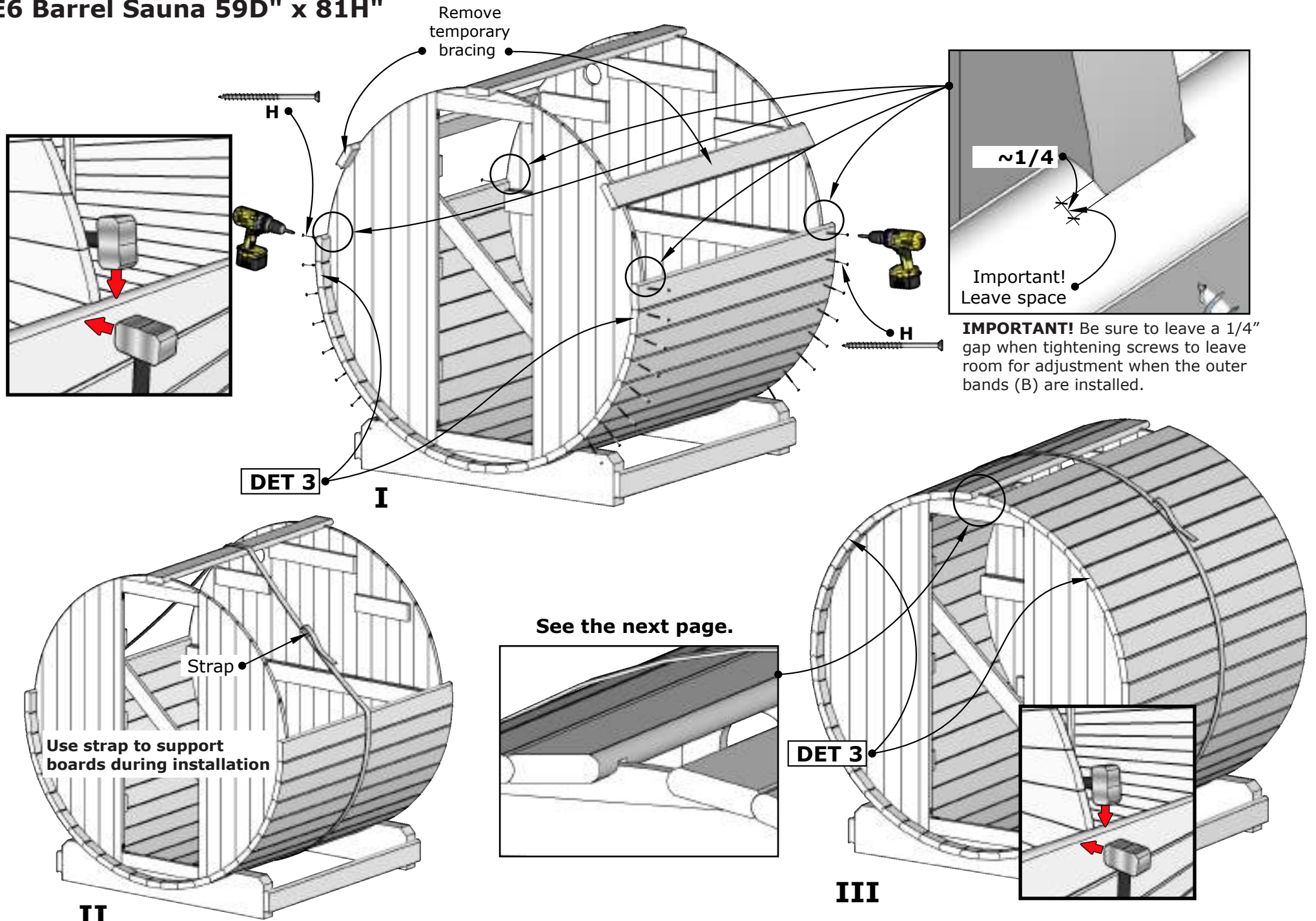
Brackets inside



**IMPORTANT!** Be sure to leave a  $1/4"$  gap when tightening screws to leave room for adjustment when the outer bands (B) are installed.



# E6 Barrel Sauna 59D" x 81H"



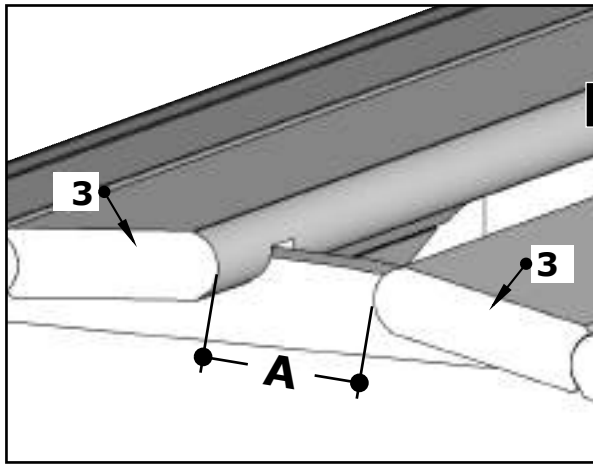
5.

II

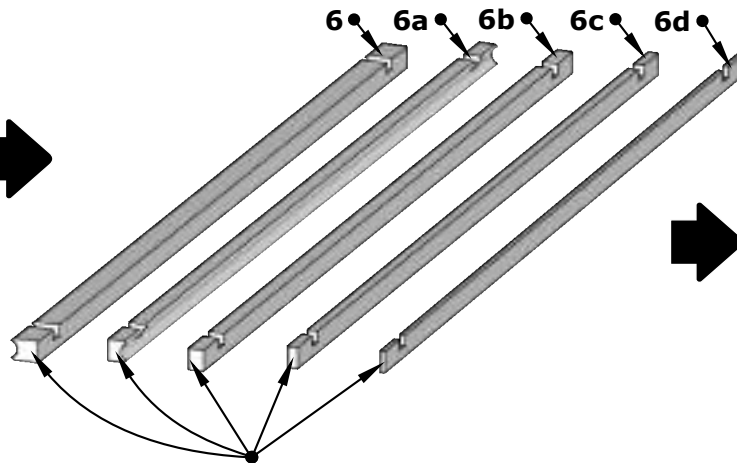
III



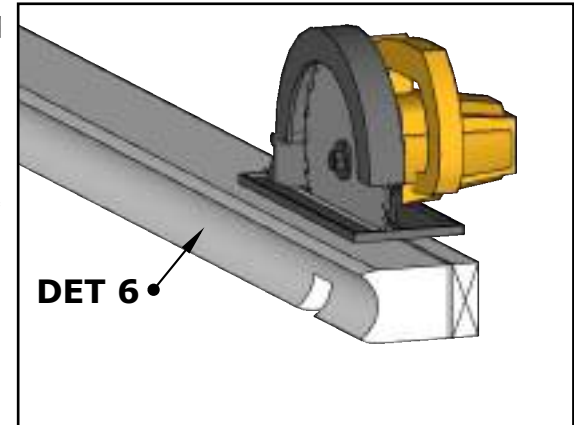
# E6 Barrel Sauna 59D" x 81H"



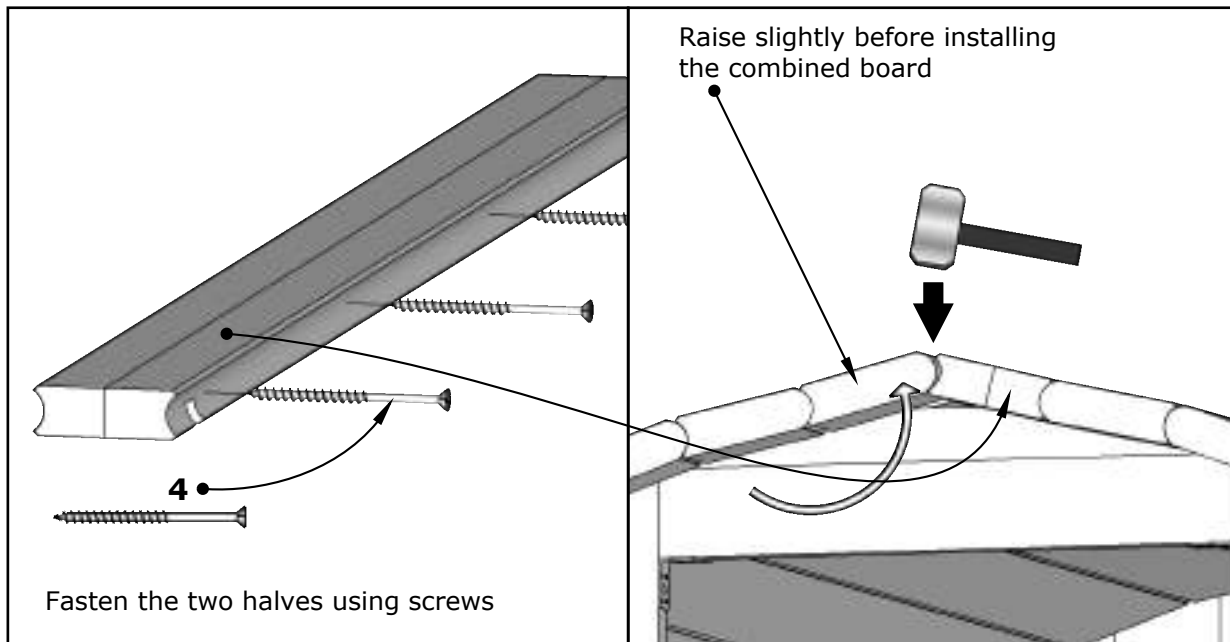
**I**



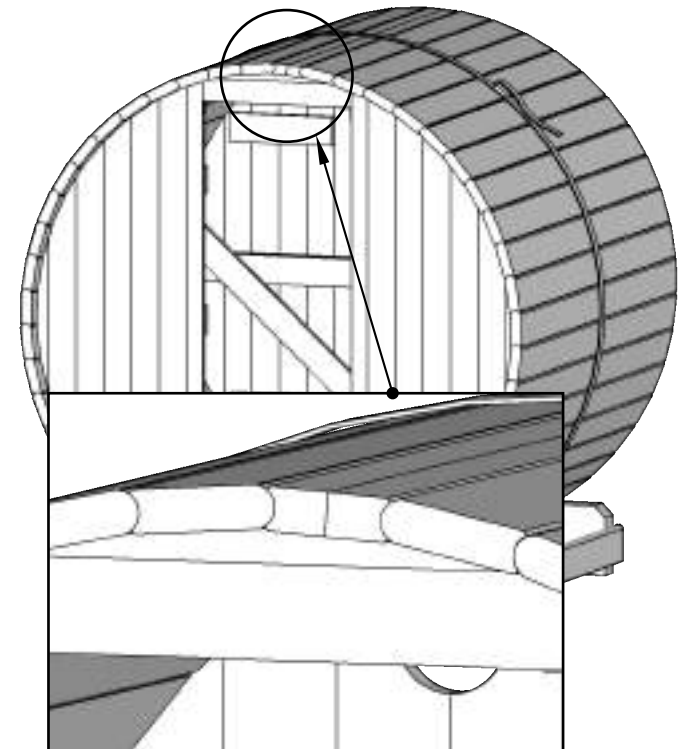
Join two boards together (as shown in diagram II) that will bridge the width of the "A" gap. It is recommended that the combined boards are approximately 1/4" wider than the gap.



If needed, trim the flat edge of the board to create the desired width.

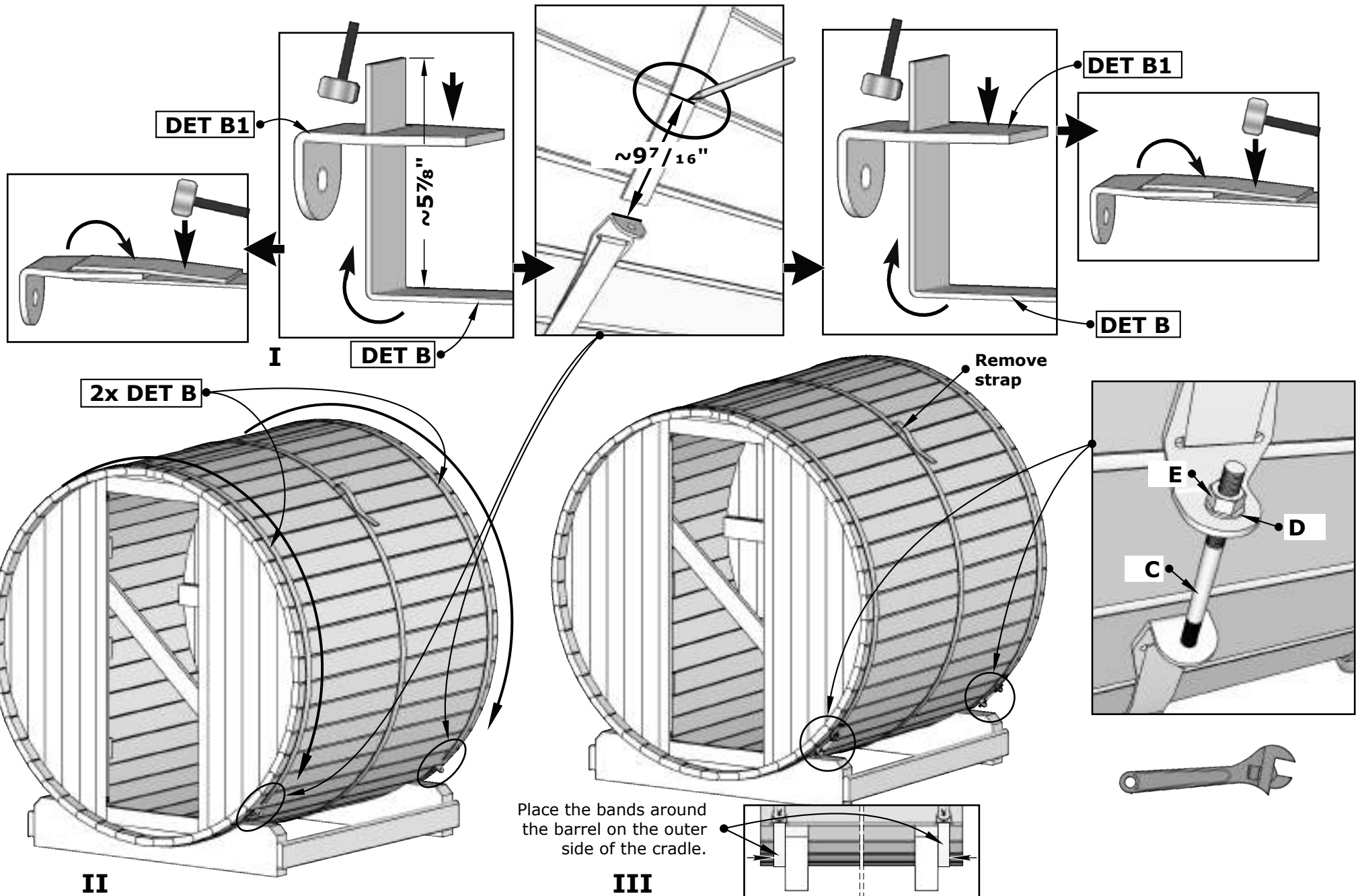


**II**



**III**

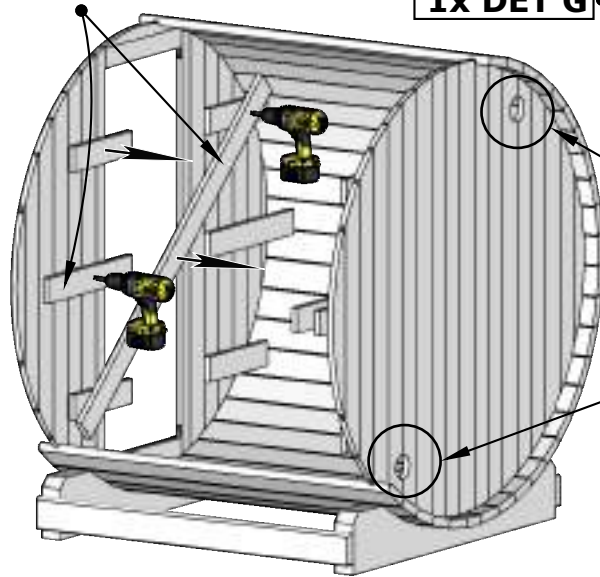
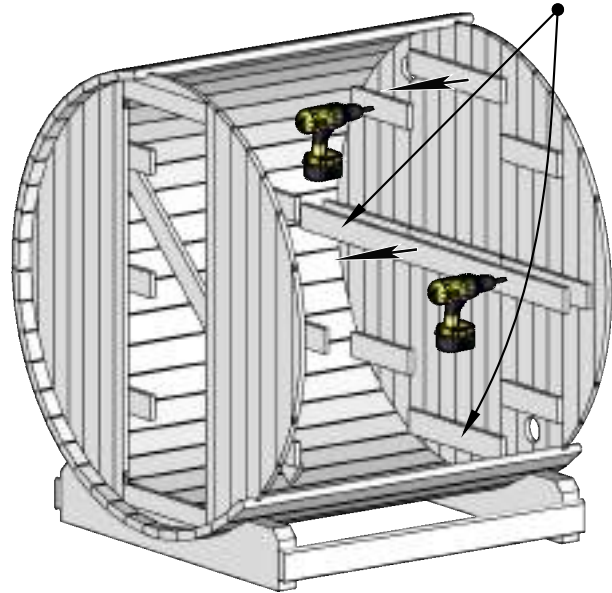
# E6 Barrel Sauna 59D" x 81H"



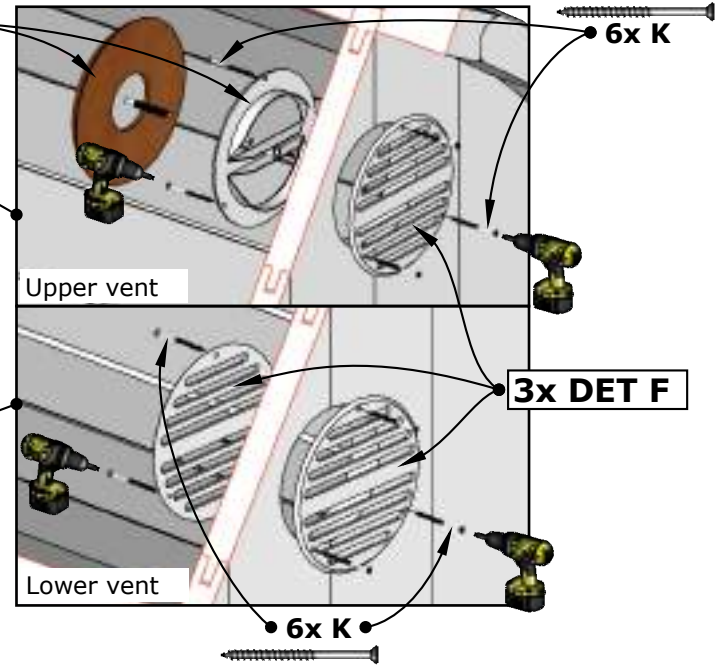


# E6 Barrel Sauna 59D" x 81H"

Remove all temporary braces



1x DET G



Upper vent

Lower vent

3x DET F

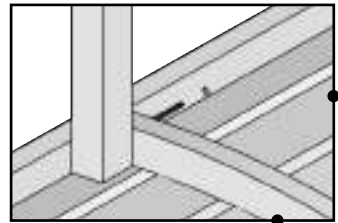
6x K

I

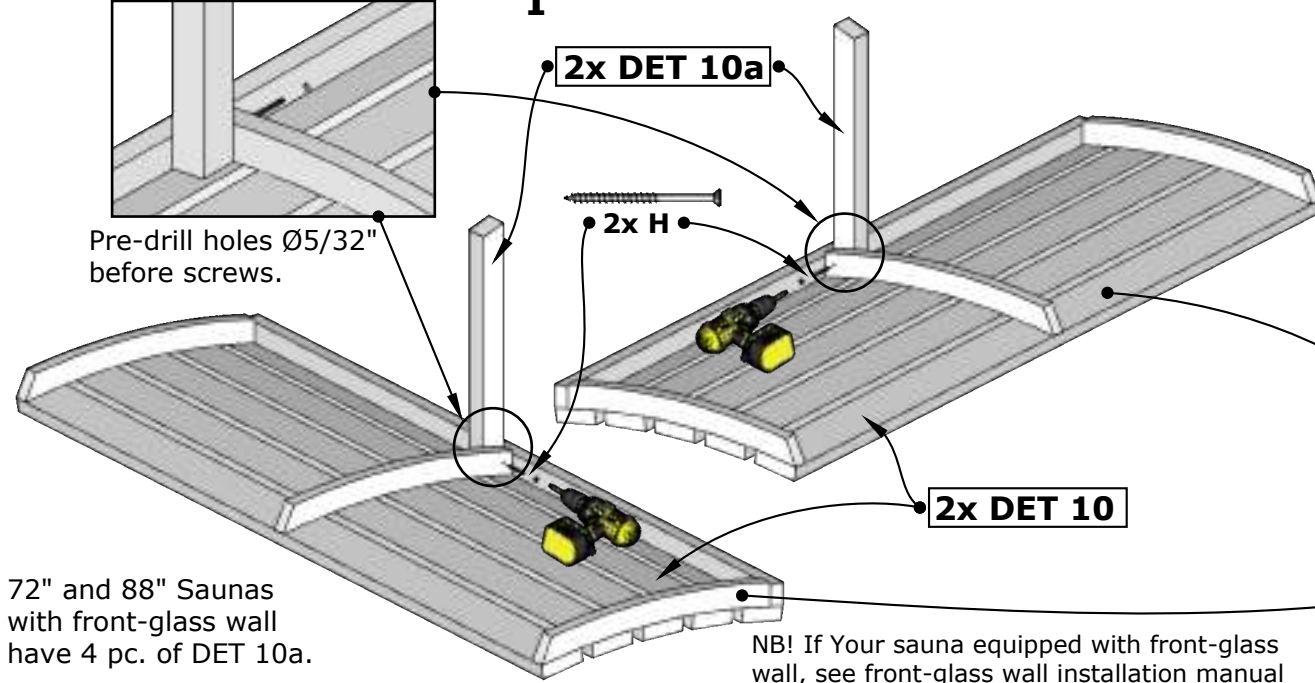
2x DET 10a

2x H

2x DET 10



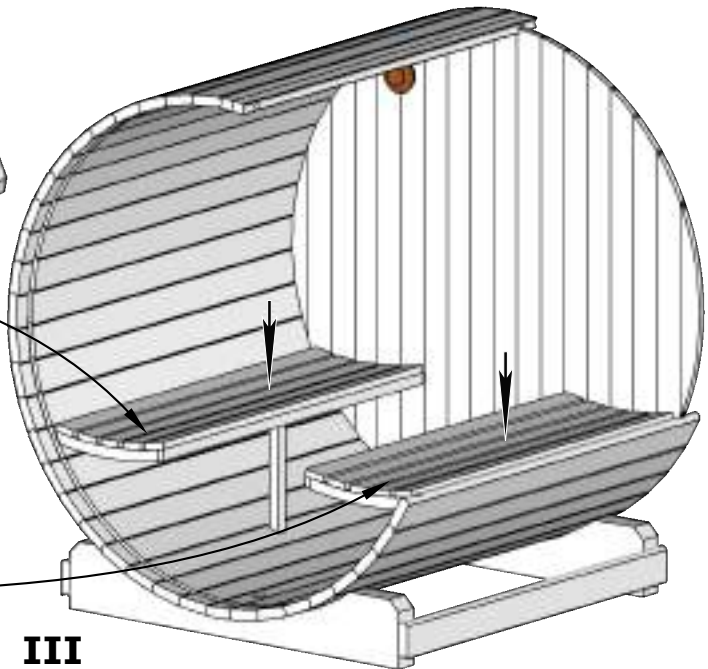
Pre-drill holes Ø5/32" before screws.



72" and 88" Saunas with front-glass wall have 4 pc. of DET 10a.

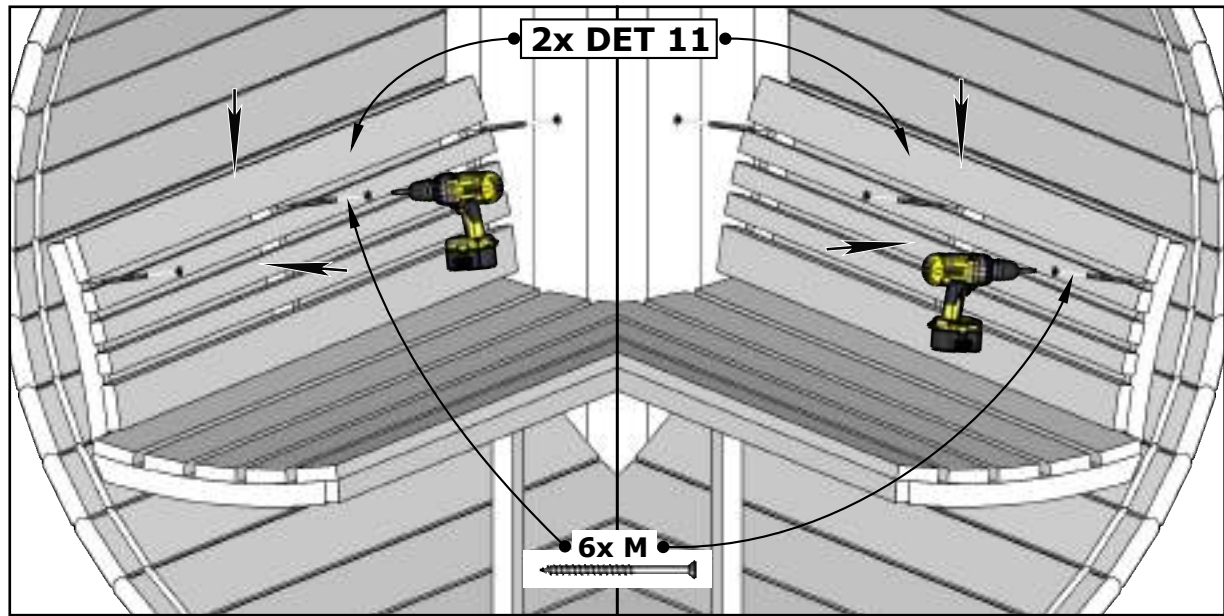
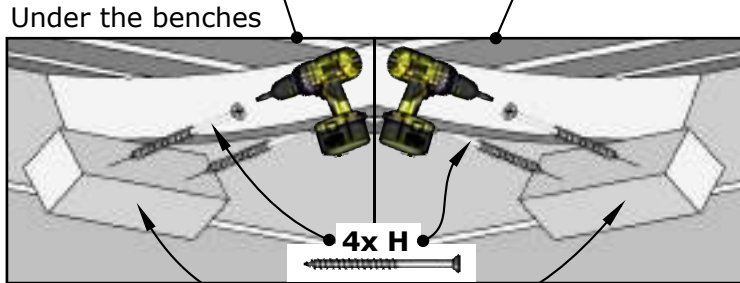
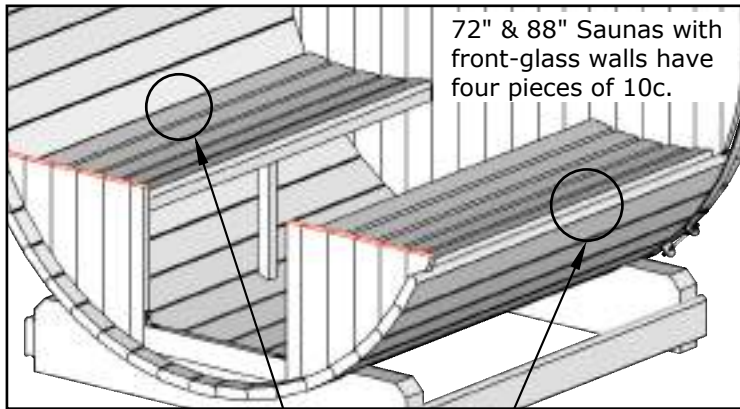
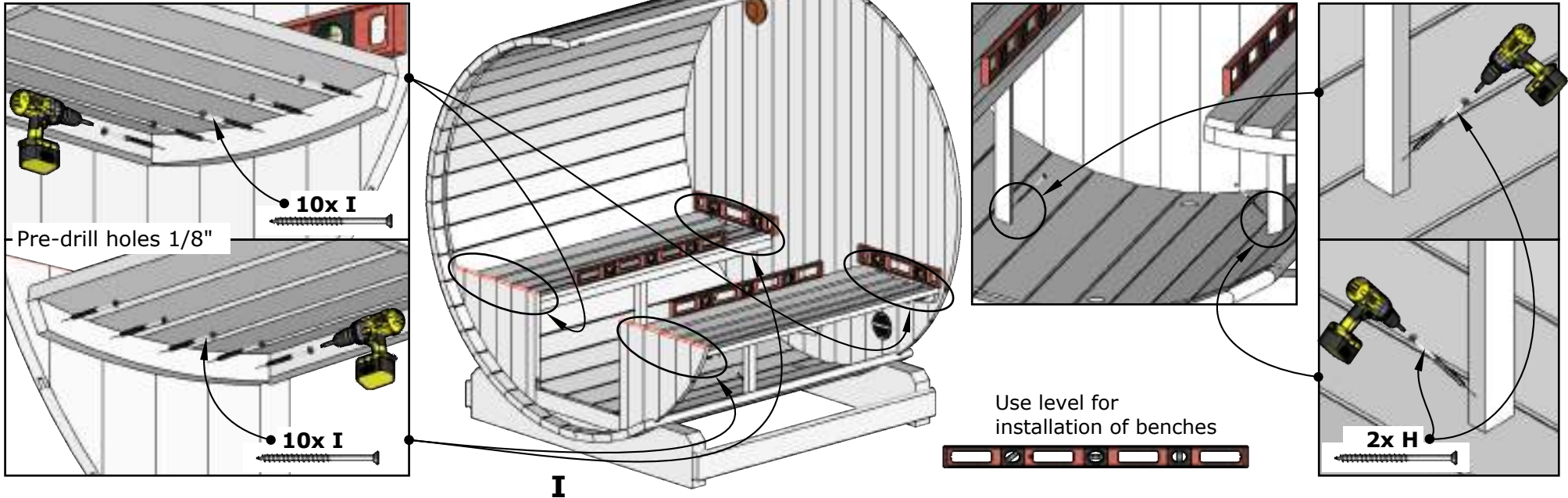
II

NB! If Your sauna equipped with front-glass wall, see front-glass wall installation manual for proper benches installation.



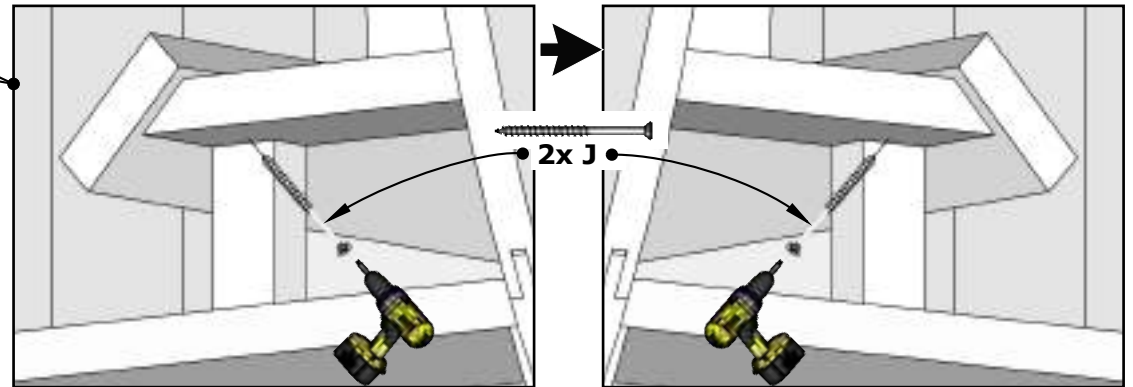
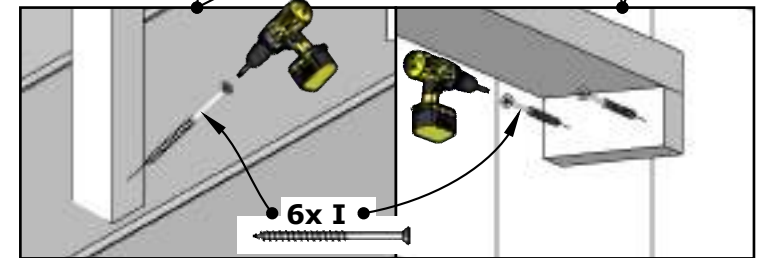
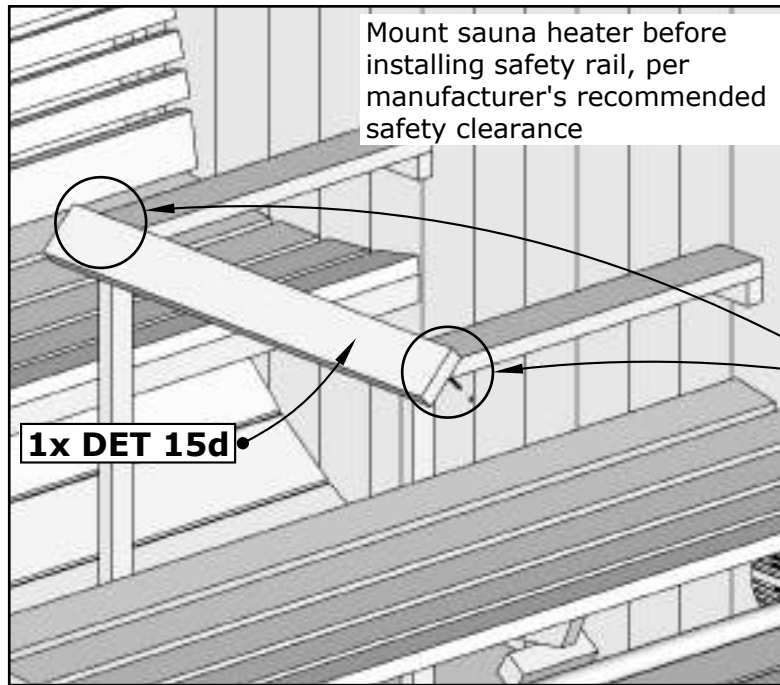
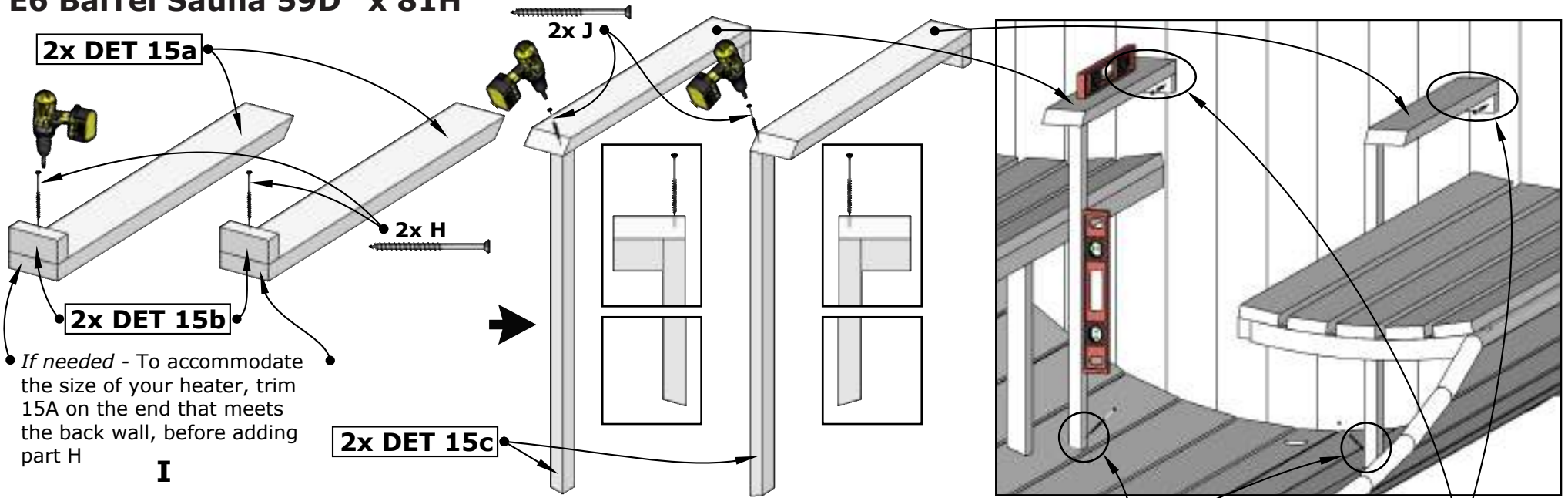
III

# E6 Barrel Sauna 59D" x 81H"



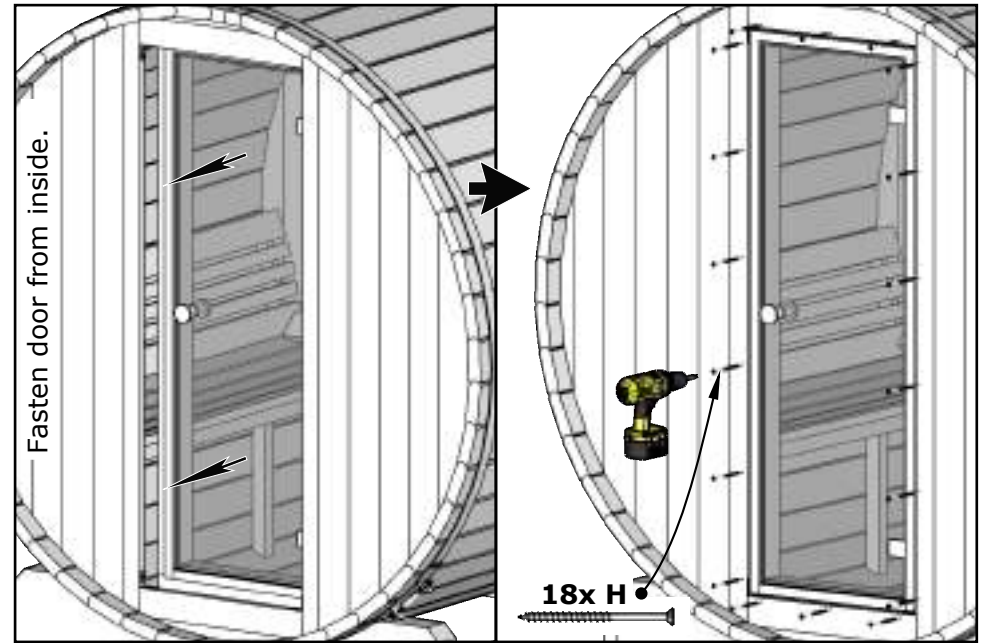
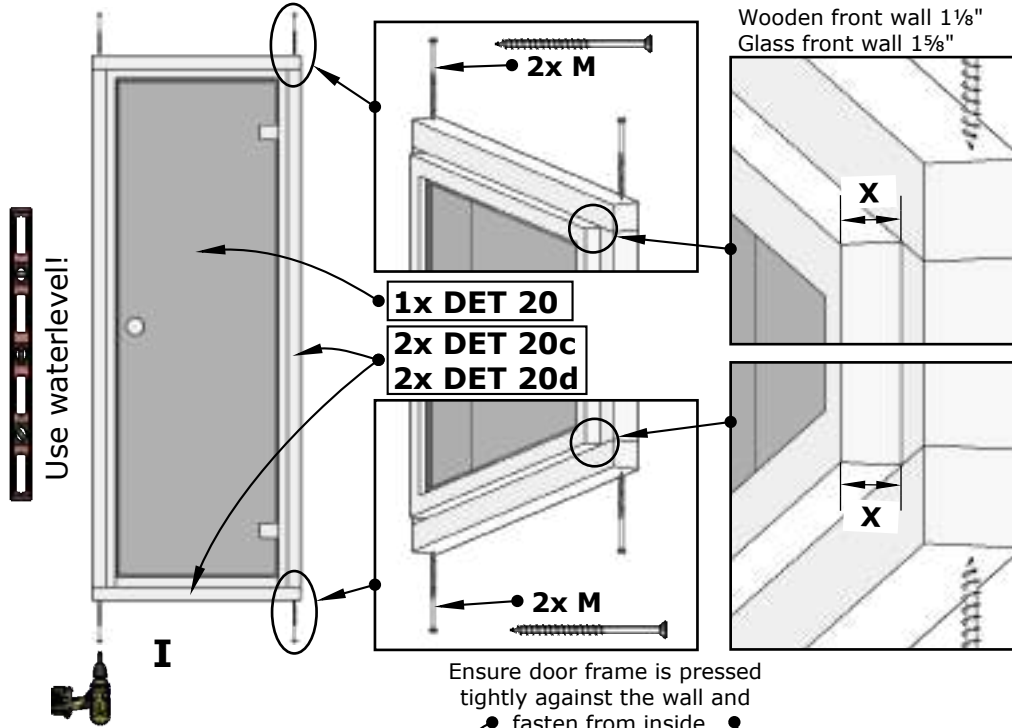


# E6 Barrel Sauna 59D" x 81H"

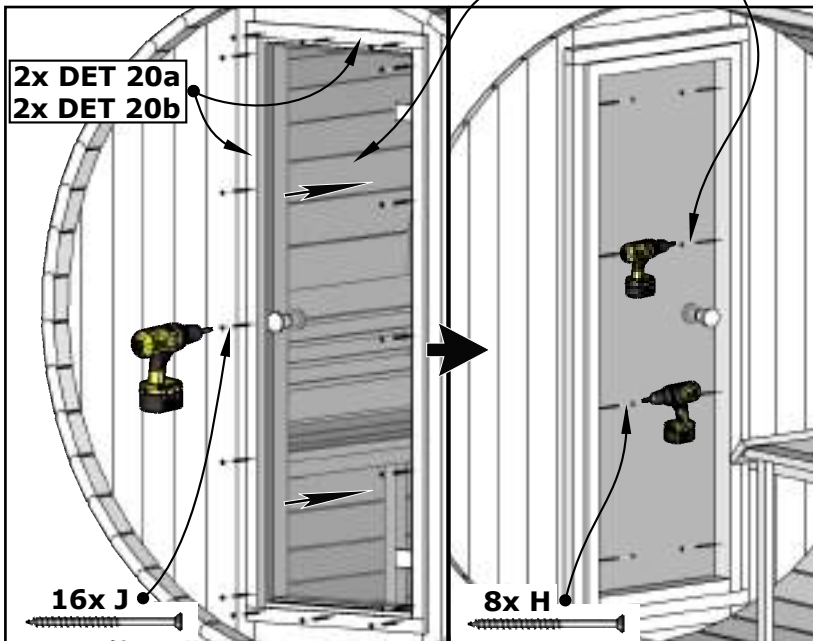


# E6 Barrel Sauna 59D" x 81H"

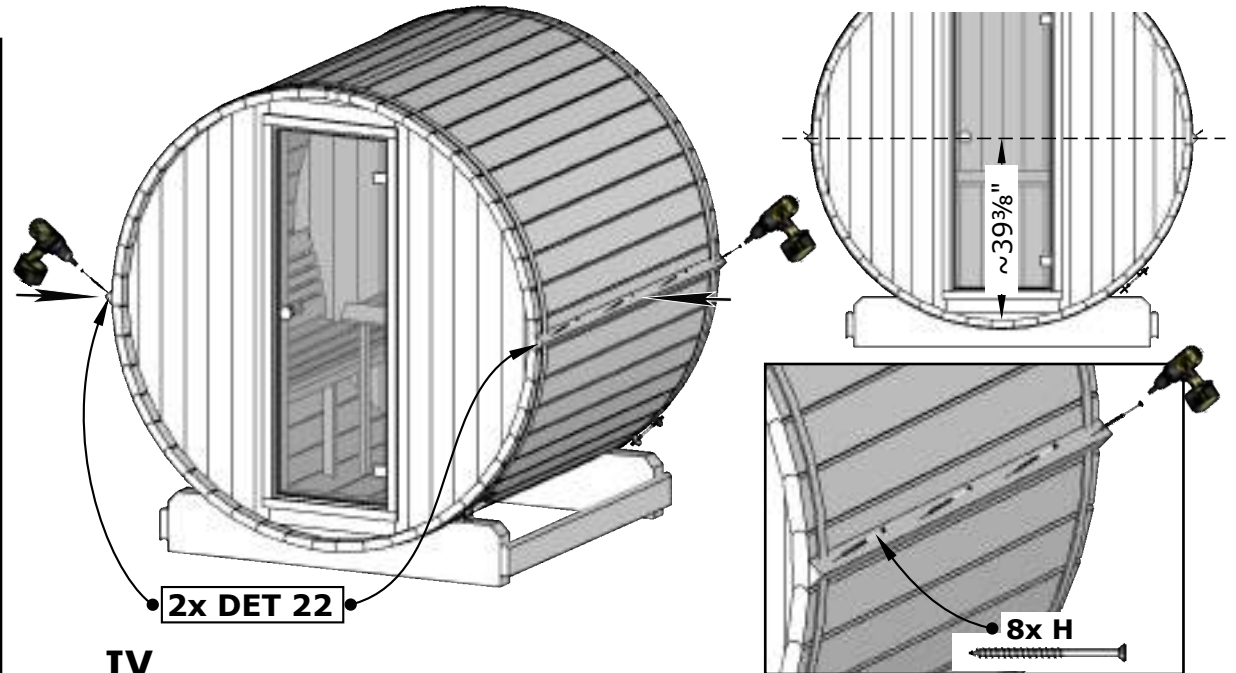
X= Front wall thickness  
 Wooden front wall 1 1/8"  
 Glass front wall 1 1/8"



II



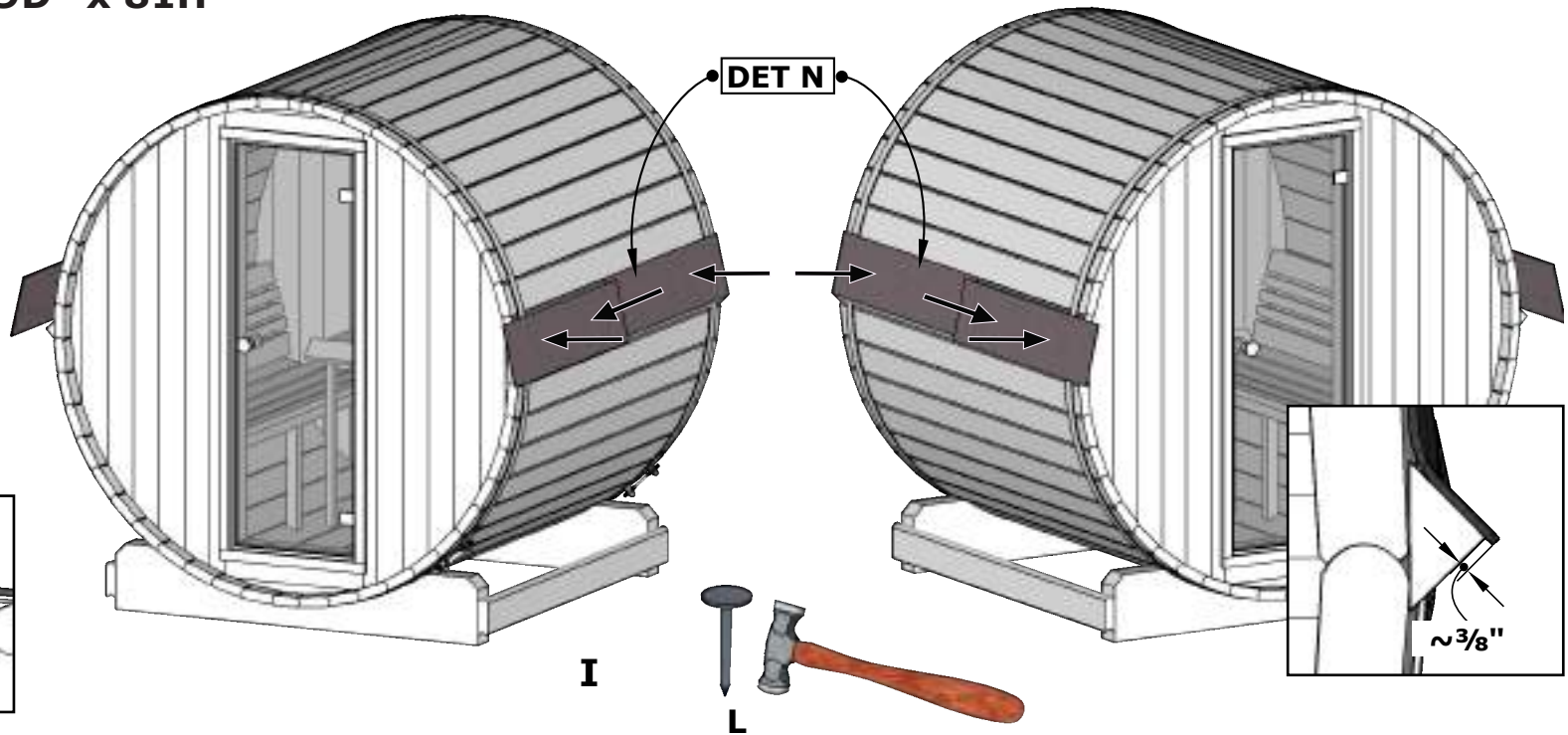
11. III



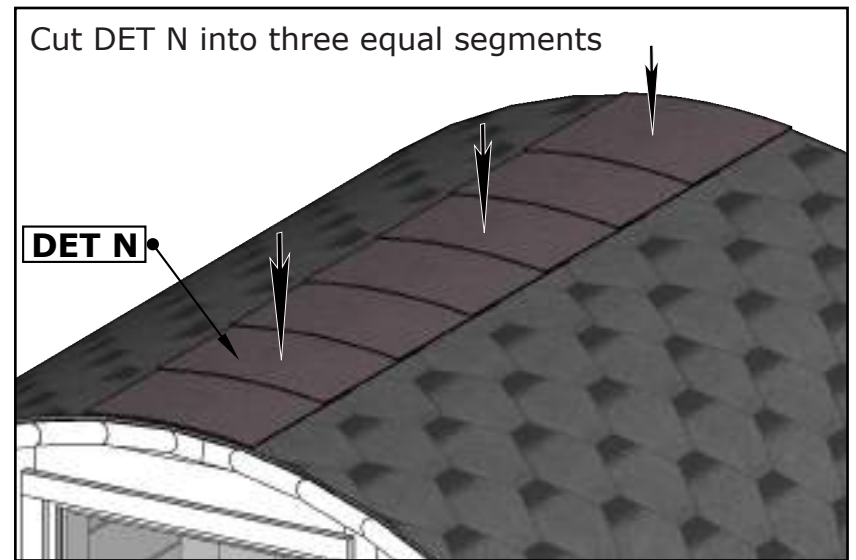
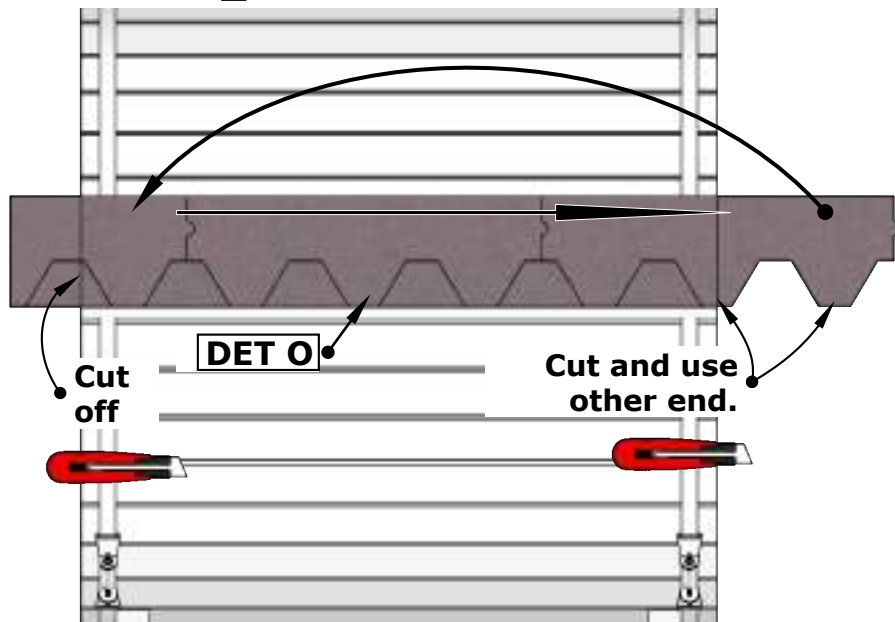
IV

# E6 Barrel Sauna 59D" x 81H"

See the installation manual inside the shingles package



Check also roof shingles installation manual inside package.





# E6 Barrel Sauna 59D" x 81H"

